

ADC9708

ADC9708 6-Channel 8-Bit MuP Compatible A/D Converter



Literature Number: SNOS548A

ADC9708

6-Channel 8-Bit μ P Compatible A/D Converter

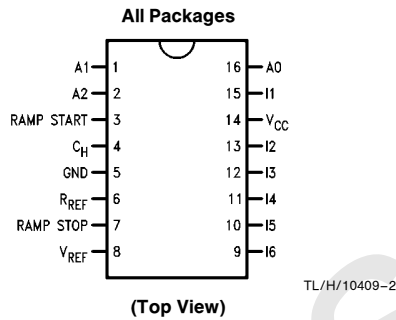
General Description

The ADC9708 is a single slope 8-bit, 6-channel ADC subsystem that provides all of the necessary analog functions for a microprocessor-based data control system. The device uses an external microprocessor system to provide the necessary addressing, timing and counting functions and includes a 1-of-8 decoder, 8-channel analog multiplexer, sample and hold, ramp integrator, precision ramp reference, and a comparator on a single monolithic chip.

Features

- MPU compatible
- Excellent linearity over full temperature range $\pm 0.2\%$ maximum
- Typical 300 μ s conversion time per channel
- Wide dynamic range includes ground
- Auto-zero and full-scale correction capability
- Ratiometric conversion—no precision reference required
- Single-supply operation
- TTL compatible
- Does not require access to data bus or address bus

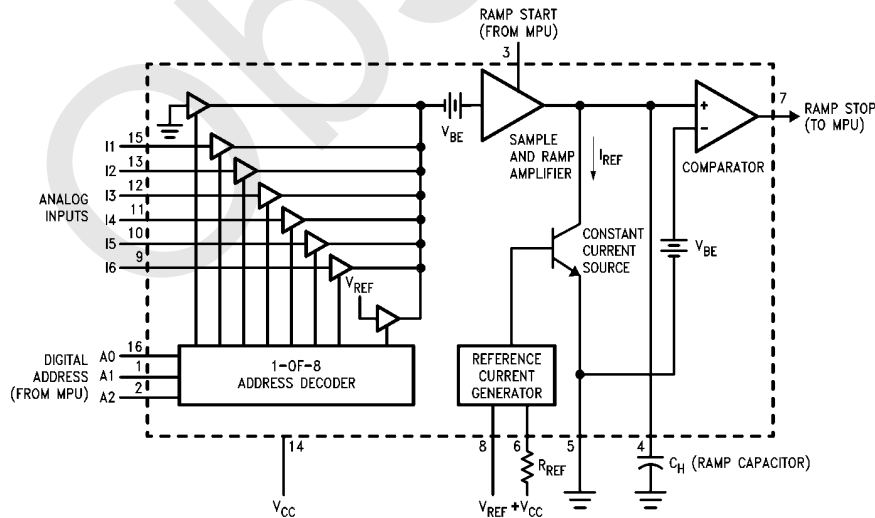
Connection Diagram



Ordering Information

Commercial ($0^{\circ}\text{C} \leq T_A \leq 70^{\circ}\text{C}$)	Package
ADC9708CCN	N16E
ADC9708CCJ	J16A
Military ($-55^{\circ}\text{C} \leq T_A \leq 125^{\circ}\text{C}$)	Package
ADC9708CMJ	J16A

Block Diagram



Absolute Maximum Ratings (Notes 1, 2)

If Military/Aerospace specified devices are required, please contact the National Semiconductor Sales Office/Distributors for availability and specifications.

Supply Voltage (V_{CC})	18V
Comparator Output (Ramp Stop)	-0.3V to +18V
Analog Input Range	-0.3V to +30V
Digital Input Range	-0.3V to +30V
Output Sink Current	10 mA
Storage Temperature Range	-65°C to +150°C
Continuous Total Dissipation (Note 8)	
Ceramic DIP Package	900 mW
Molded DIP Package	1000 mW
ESD Susceptibility (Note 9)	TBD

Pin Temperature	
Ceramic DIP (Soldering, 60 Sec.)	300°C
Molded DIP (Soldering, 10 Sec.)	260°C

Operating Ratings (Notes 1, 2)

Operating Temperature Range	
ADC9708CCN, ADC9708CCJ	0°C to +70°C
ADC9708CMJ	-55°C to +125°C
Supply Voltage (V_{CC})	4.75V to 15V
Reference Voltage (V_{REF}) (Note 3)	2.8V to 5.25V
Ramp Capacitor (C_H)	300 pF
Reference Current (I_R)	12 μ A to 50 μ A
Analog Input Range	0V to V_{REF}
Ramp Stop Output Current	1.6 mA

Electrical Characteristics

Over recommended operating conditions, $V_{CC} = 5.0V$, $-55^\circ C \leq T_A \leq +125^\circ C$ for ADC9708CMJ and $0^\circ C \leq T_A \leq +70^\circ C$ for ADC9708CCJ or ADC9708CCN; unless otherwise specified.

Symbol	Parameter	Conditions	Typical (Note 10)	Limit (Note 11)	Units (Limit)
E_A	Conversion Accuracy	Over Entire Temperature Range (Note 4)	± 0.2	± 0.3	% (max)
E_R	Linearity	Applies to Any One Channel (Note 5)	± 0.08	± 0.2	% (max)
V_{OSM}	Multiplexer Input Offset Voltage	Channel ON, $T_A = 25^\circ C$	2.0	4.0	mV (max)
		Channel ON	2.0	7.0	mV (max)
t_C	Conversion Time per Channel	Analog Input = 0V to V_{REF} $C_H = 300$ pF, $I_{REF} = 50$ μ A	296	350	μ s (max)
t_A	Acquisition Time	$C_H = 1000$ pF	20	40	μ s (max)
I_A	Acquisition Current	ADC9708CCN, CCJ		150	μ A (min)
		ADC9708CMJ		115	μ A (min)
t_O	Ramp Start Delay Time		100		ns
t_M	Multiplexer Address Time		1.0		μ s
V_{IH}	Digital Input HIGH Voltage	A0, A1, A2, Ramp Start		2.0	V (min)
V_{IL}	Digital Input LOW Voltage	A0, A1, A2, Ramp Start		0.8	V
I_B	Analog Input Current	Channel ON or OFF	-1.0	-3.0	μ A (min)
I_{IL}	Input LOW Current	A0, A1, A2, Ramp Start = 0.4V	-5	-15	μ A (min)
I_{IH}	Input HIGH Current	A0, A1, A2, Ramp Start = 5.5V		1.0	μ A (max)
I_{OS}	Input Offset Current		1.0	3.0	μ A (max)
I_{OH}	Comparator Logic "1" Output Leakage Current	$V_{OH} = 15V$		10	μ A (max)
V_{OL}	Comparator Logic "0" Output Voltage	$I_{OL} = 1.6$ mA		0.4	V (max)
PSRR	Power Supply Rejection Ratio	(Note 6)		40	dB (min)
	Cross Talk between Any Two Channels	(Note 7)		60	dB (min)

Electrical Characteristics

Over recommended operating conditions, $V_{CC} = 5.0V$, $-55^{\circ}C \leq T_A \leq +125^{\circ}C$ for ADC9708CMJ and $0^{\circ}C \leq T_A \leq +70^{\circ}C$ for ADC9708CCJ or ADC9708CCN; unless otherwise specified. (Continued)

Symbol	Parameter	Conditions	Typical (Note 10)	Limit (Note 11)	Units (Limit)
I_{CC}	Power Supply Current	$V_{CC} = 5V$ to $15V$, $I_O = 0$	7.5	15	mA (max)
C_{IN}	Input Capacitance		3.0		pF
C_{OUT}	Comparator Output Capacitance		5.0		pF

Note 1: Absolute Maximum Ratings indicate limits beyond which damage to the device may occur. Operating Ratings indicate conditions for which the device is intended to be functional. These ratings do not guarantee specific performance limits, however. For guaranteed specifications and test conditions, see the Electrical Characteristics. The guaranteed specifications apply only for the test conditions listed. Some performance characteristics may degrade when the device is not operated under the listed test conditions.

Note 2: All voltages are measured with respect to GND, unless otherwise specified.

Note 3: V_{REF} should not exceed $V_{CC} - 2V$.

Note 4: Conversion accuracy is defined as the deviations from a straight line drawn between the points defined by channel address 000 (0 scale) and channel address 111 (full scale) for all channels.

Note 5: Linearity is defined as the deviation from a straight line drawn between the 0 and full scale points for each channel.

Note 6: Power supply rejection ratio is defined as the conversion error contributed by power supply voltage variations while resolving mid scale on any channel.

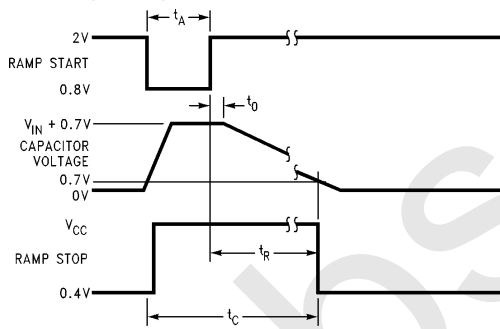
Note 7: Cross Talk between channels = $20 \log \frac{\Delta V_{CH}}{\Delta V_1}$.

Note 8: Caution should be taken not to exceed absolute maximum power rating when the device is operating in a severe fault condition (ex. when any inputs or outputs exceed the power supply). The maximum power dissipation must be derated at elevated temperatures and is dictated by T_{Jmax} (maximum junction temperature), θ_{JA} (package junction to ambient thermal resistance), and T_A (ambient temperature). The maximum allowable power dissipation at any temperature is $P_{Dmax} = (T_{Jmax} - T_A)/\theta_{JA}$ or the number given in the Absolute Maximum Ratings, whichever is lower. For this device, $T_{Jmax} = 150^{\circ}C$, and the typical thermal resistance (θ_{JA}) for board mounting follow:

ADC9708CCN 62°C/W
ADC9708CCJ, ADC9708CMJ 58°C/W

Note 9: Human body model, 100 pF discharged through a 1.5 kΩ resistor.

Timing Diagram



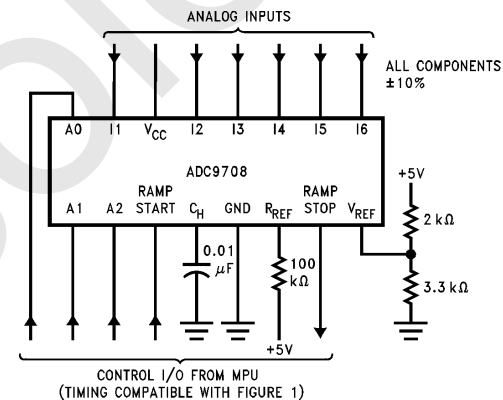
TL/H/10409-7

FIGURE 1. Equivalent Timing Waveform for Test Circuits and Applications

Note 10: Typicals are at $+25^{\circ}C$ and represent most likely parametric norm.

Note 11: Tested limits are guaranteed to National's AOQL (Average Outgoing Quality Level).

Test Circuits



TL/H/10409-8

Input Timing:
 $t_A > 400 \mu s$

$$V_{REF} = \left(\frac{3.3 \text{ k}\Omega}{2 \text{ k}\Omega + 3.3 \text{ k}\Omega} \right) 5V = 3.1$$

$$I_R = \frac{5 - 3.1}{100 \text{ k}\Omega} = 19 \mu A$$

$$t_{R|_{max}} = \text{full scale ramp time} \\ = \frac{0.01 \times 10^{-6}}{19 \times 10^{-6}} \times 3.1 = 1.6 \text{ ms}$$

Note: For evaluation purposes, the ramp start timing generation can be implemented with an LM555 timer (astable operation) or MPU evaluation kit, and a time interval meter for ramp time measurement. The TIM meter will measure the time between to 0 to 1 transition of the ramp start and the 1 to 0 transition of the ramp stop. The ramp stop is open collector, and must have an external pull-up resistor to V_{CC} .

FIGURE 2. Slow Speed Evaluation Circuit for Ratiometric Operation

Test Circuits (Continued)

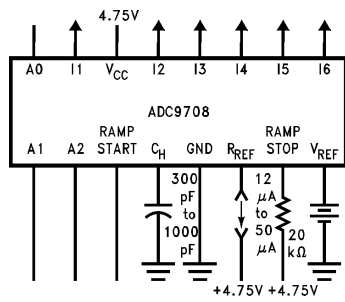


FIGURE 3. Linearity/Acquisition Time/Conversion Time Test Circuit

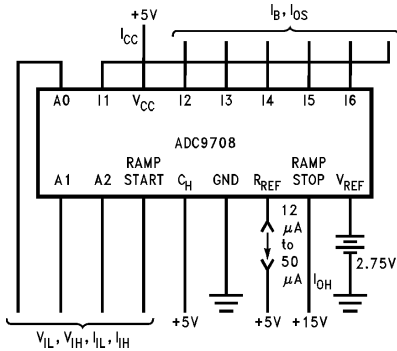


FIGURE 4. Static Measurements

Functional Description

This Analog to Digital Converter is a single-slope 8-bit, 6-channel A/D converter that provides all of the necessary analog functions for a microprocessor-based data/control system. The device uses the processor system to provide the necessary addressing, timing and counting functions and includes a 1-of-8 decoder, 8-channel analog multiplexer, sample and hold, precision current reference, ramp integrator and comparator on a single monolithic chip.

Applications that require auto-zero or auto-calibration, (See Figures 5-8) can use selection of address 000 and 111, for input address lines A0-A2, in conjunction with the arithmetic capability of a microprocessor to provide ground and scaling factors. Address 0, 0, 0 internally connects the input of the ramp generator to ground and may be used for zero offset correction in subsequent conversions. Address 1, 1, 1, internally connects the input of the ramp generator to the voltage reference, V_{REF} , and may be used for scale factor correction in subsequent conversions. For the following, refer to the Functional Block Diagram.

Six separate external analog voltage inputs may come into terminals I1-I6 and the specific analog input to be convert-

ed is selected via address terminals A0-A2. The analog input voltage level is transferred to the external ramp capacitor connected to pin 4 when the input to the ramp start terminal (pin 3) is at a logic 0 (See Figure 1). The time to charge the capacitor is the acquisition time which is a function of the output impedance of an amplifier internal to the A/D converter and the value of the capacitor. After charging the external capacitor the ramp start terminal is switched to a logic 1 which introduces a high impedance between the analog input voltage and the external capacitor.

The capacitor begins to discharge at a controlled rate. The controlled rate of discharge (ramp) is established by the external reference voltage, the external reference resistor, the value of the external capacitor and the internal leakage of the A/D converter. Connected to the capacitor terminal is a comparator internal to the A/D converter with its output going to the ramp stop terminal (pin 7). The comparator output is a logic one when the capacitor is charged and switches to a logic 0 when the capacitor is in a discharged state. The ramp time is from the time when ramp start goes HIGH (logic "1") to when ramp stop goes LOW (logic "0"). The microprocessor must be programmed to determine this conversion time. The ideal (no undesirable internal source impedances, leakage paths, errors on levels where comparator switches or delay time) conversion time is calculated as follows:

$$\text{Ramp Time} = V1 \frac{C_H}{I_R}$$

Where $V1$ = Analog Input Voltage Being Measured
 C_H = External Ramp Capacitor

$$I_R = \frac{V_{CC} - V_{REF}}{R_{REF}}$$

Where V_{CC} = Power Supply Voltage
 V_{REF} = Reference Voltage
 R_{REF} = Reference Resistor

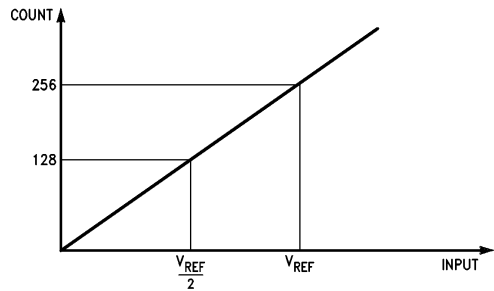
In actual use the errors due to a nonideal A/D converter can be minimized by using a microprocessor to make the calculations. (See Figures 5 through 8.)

Channel Selection

Input Address Line			Selected Analog Input
A2	A1	A0	
0	0	0	Ground
0	0	1	I1
0	1	0	I2
0	1	1	I3
1	0	0	I4
1	0	1	I5
1	1	0	I6
1	1	1	V_{REF}

Functional Description (Continued)

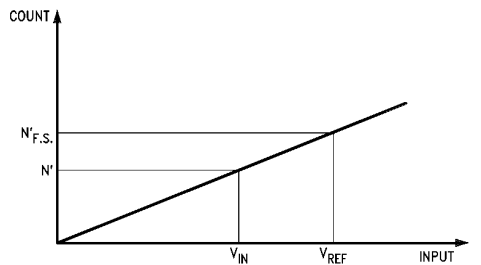
Auto-Zero and Full-Scale Features



No Zero Offset
No Full-Scale Error
TL/H/10409-3

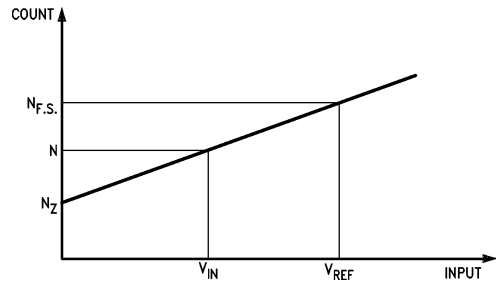
$$\text{Count}(n) = \frac{V_{IN}}{V_{REF}} \times 256$$

FIGURE 5. Ideal Transfer Function



$N' = N - N_Z$
 N' has Full-Scale Error
TL/H/10409-5

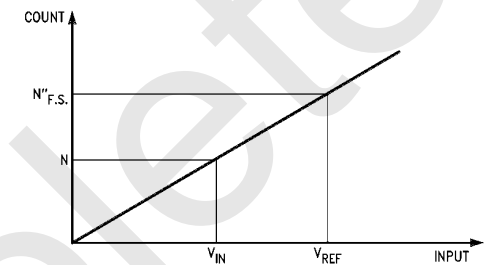
FIGURE 7. Transfer Functions with Zero-Correction Added



$N_{F.S.} \neq 256$
 $N_Z \neq 0$
TL/H/10409-4

(N) has both full-scale and zero errors

FIGURE 6. Transfer Function with Zero and Full-Scale Error



$N'' = (N - N_Z) \times \frac{256}{(N_{F.S.} - N_Z)}$
TL/H/10409-6

FIGURE 8. Transfer Function with both Zero and Full-Scale Correction Added

Typical Applications

Application Suggestions and Formulas

1. The capacitor node impedance is approximately $30 \mu\Omega$ and should have no parallel resistance for proper operation.
2. t_R when $V_{IN} = 0V$ will be finite (i.e., the comparator will always toggle for $V_{IN} \geq 0V$).
3. The ramp stop output is open collector, and an external pull-up resistor is required.
4. All digital inputs and outputs are TTL compatible.
5. For proper operation, timing commences on the 0 to 1 transition of ramp start and terminates on the 1 to 0 transition of ramp stop.

$$6. t_A \geq \frac{C_H}{I_A - I_R} \times V_{REF} \text{ (See Figure 1)}$$

$$7. t_R \text{ (ramp time)} = \frac{C_H}{I_R} \times V_{IN}, t_{R|_{\max}} = \frac{C_H}{I_R} \times V_{REF}$$

(See Figure 1)

$$8. I_R = \frac{V_{CC} - V_{REF}}{R_{REF}}$$

$$9. 2V \leq V_{REF} \leq (V_{CC} - 2V)$$

10. Address lines A0, A1, A2 must be stable throughout the sampling interval, t_A .

11. Pin 6 (R_{REF}) should be bypassed to ground via a $0.02 \mu F$ capacitor.

Microprocessor Considerations

Several alternatives exist from a hardware/software standpoint in microprocessor based systems using the ADC9708.

1. The ramp time measurement may be implemented in software using a register increment, followed by a branch back depending on the status of the ramp stop.
2. Alternately, the ramp stop may be tied into the interrupt structure in systems containing a programmable binary timer. This scheme has the following advantages:
 - a. The CPU is not committed during the ramp time interval.
 - b. It requires only 5 bits of an I/O port for control signals.

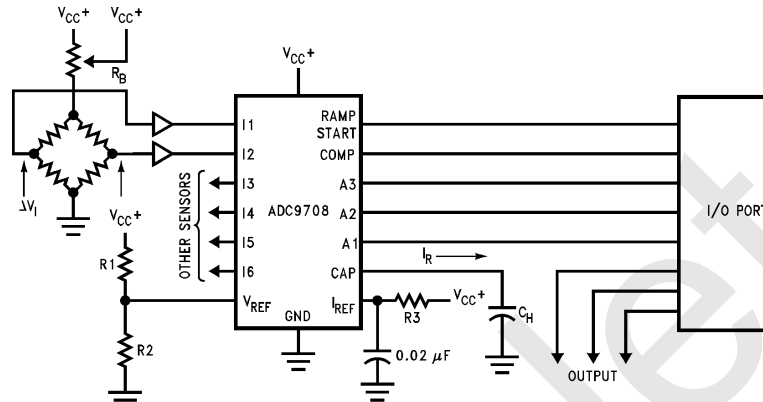
Typical Applications (Continued)

3. The auto-zero/auto-full-scale (See Figures 5-8) should use double precision, rounded (as opposed to truncated) arithmetic. Several points are worth noting:

- The subtractions are single op code instructions.
- The full scale correction uses a multiply by 256 and can be accomplished by a shift left 8 bits (usually one instruction) or placing $(N - N_2)$ in the MSB register and setting the LSB register to zero, for the double precision divide.
- The divisor $(N_{F.S.} - N_2)$ of the MSB register will always be zero.

These schemes have the following advantages:

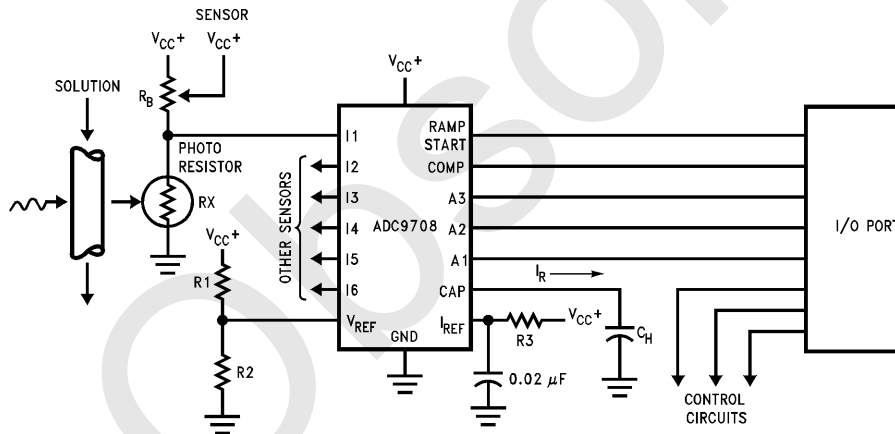
- No access to the data bus or address bus is required, by the A/D system.
- 5 I/O bits completely support the A/D system.
- Since auto full scale/auto zero are implemented in software and long term drift (aging) effects are eliminated.
- Software overhead is minimal (typically 30 bytes).
- Where ratiometric operation is permissible, the 4 external components may be $\pm 5\%$ tolerance, including the power supply.



Note: ΔV_1 = (Applied Force) and can be Linearized (if necessary) in Software.

FIGURE 9. Ratiometric Strain Gauge Sensor/Controller

TL/H/10409-11



Applications

Beverage Brewers/Dispensers
Chemical Solution Control
Automatic Liquid Mixing Control

$$\text{Ramp Current} = I_R = V_{CC+} \left(\frac{R_1}{R_1 + R_2} \right) \left(\frac{1}{R_3} \right)$$

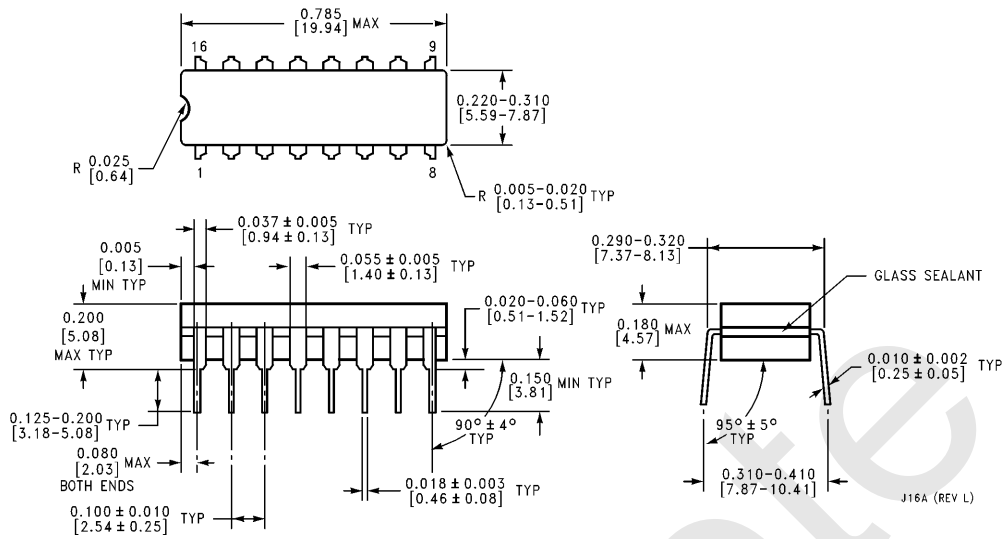
$$V_1 = \left(\frac{R_X}{R_X + R_B} \right) V_{CC+}$$

$$\text{Ramp Time} = V_1 \left(\frac{C_H}{I_R} \right) = \left(\frac{R_X}{R_X + R_B} \right) \left(1 + \frac{R_2}{R_1} \right) (C_H R_3)$$

FIGURE 10

TL/H/10409-12

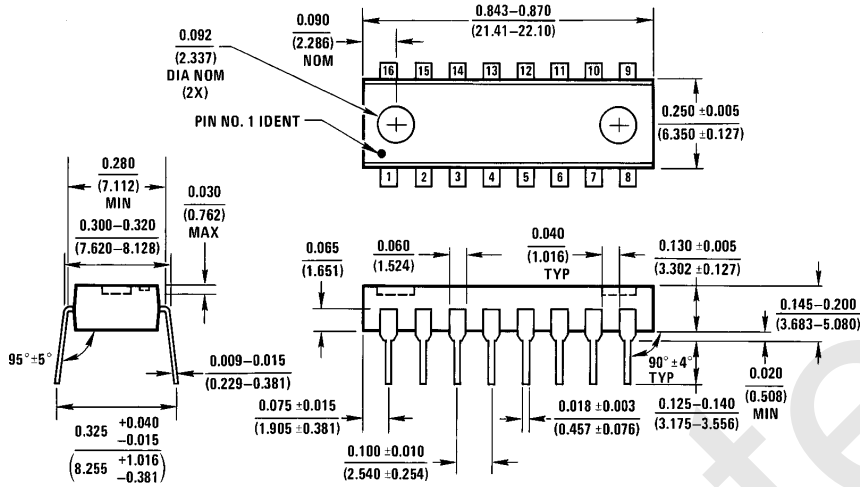
Physical Dimensions inches (millimeters)



Dual-In-Line Package (J)
Order Number ADC9708CCJ or ADC9708CMJ
NS Package Number J16A

J16A (REV L)

Physical Dimensions inches (millimeters) (Continued)



16 Lead Dual-In-Line Package (N)
Order Number ADC9708CCN
NS Package Number N16E

N16A (REV E)

LIFE SUPPORT POLICY

NATIONAL'S PRODUCTS ARE NOT AUTHORIZED FOR USE AS CRITICAL COMPONENTS IN LIFE SUPPORT DEVICES OR SYSTEMS WITHOUT THE EXPRESS WRITTEN APPROVAL OF THE PRESIDENT OF NATIONAL SEMICONDUCTOR CORPORATION. As used herein:

1. Life support devices or systems are devices or systems which, (a) are intended for surgical implant into the body, or (b) support or sustain life, and whose failure to perform, when properly used in accordance with instructions for use provided in the labeling, can be reasonably expected to result in a significant injury to the user.
2. A critical component is any component of a life support device or system whose failure to perform can be reasonably expected to cause the failure of the life support device or system, or to affect its safety or effectiveness.



National Semiconductor Corporation
 1111 West Bardin Road
 Arlington, TX 76017
 Tel: 1(800) 272-9959
 Fax: 1(800) 737-7018

National Semiconductor Europe
 Fax: (+49) 0-180-530 85 86
 Email: cnjwge@tevm2.nsc.com
 Deutsch Tel: (+49) 0-180-530 85 85
 English Tel: (+49) 0-180-532 78 32
 Français Tel: (+49) 0-180-532 93 58
 Italiano Tel: (+49) 0-180-534 16 80

National Semiconductor Hong Kong Ltd.
 19th Floor, Straight Block,
 Ocean Centre, 5 Canton Rd.
 Tsimshatsui, Kowloon
 Hong Kong
 Tel: (852) 2737-1600
 Fax: (852) 2736-9960

National Semiconductor Japan Ltd.
 Tel: 81-043-299-2309
 Fax: 81-043-299-2408

National does not assume any responsibility for use of any circuitry described, no circuit patent licenses are implied and National reserves the right at any time without notice to change said circuitry and specifications.

IMPORTANT NOTICE

Texas Instruments Incorporated and its subsidiaries (TI) reserve the right to make corrections, modifications, enhancements, improvements, and other changes to its products and services at any time and to discontinue any product or service without notice. Customers should obtain the latest relevant information before placing orders and should verify that such information is current and complete. All products are sold subject to TI's terms and conditions of sale supplied at the time of order acknowledgment.

TI warrants performance of its hardware products to the specifications applicable at the time of sale in accordance with TI's standard warranty. Testing and other quality control techniques are used to the extent TI deems necessary to support this warranty. Except where mandated by government requirements, testing of all parameters of each product is not necessarily performed.

TI assumes no liability for applications assistance or customer product design. Customers are responsible for their products and applications using TI components. To minimize the risks associated with customer products and applications, customers should provide adequate design and operating safeguards.

TI does not warrant or represent that any license, either express or implied, is granted under any TI patent right, copyright, mask work right, or other TI intellectual property right relating to any combination, machine, or process in which TI products or services are used. Information published by TI regarding third-party products or services does not constitute a license from TI to use such products or services or a warranty or endorsement thereof. Use of such information may require a license from a third party under the patents or other intellectual property of the third party, or a license from TI under the patents or other intellectual property of TI.

Reproduction of TI information in TI data books or data sheets is permissible only if reproduction is without alteration and is accompanied by all associated warranties, conditions, limitations, and notices. Reproduction of this information with alteration is an unfair and deceptive business practice. TI is not responsible or liable for such altered documentation. Information of third parties may be subject to additional restrictions.

Resale of TI products or services with statements different from or beyond the parameters stated by TI for that product or service voids all express and any implied warranties for the associated TI product or service and is an unfair and deceptive business practice. TI is not responsible or liable for any such statements.

TI products are not authorized for use in safety-critical applications (such as life support) where a failure of the TI product would reasonably be expected to cause severe personal injury or death, unless officers of the parties have executed an agreement specifically governing such use. Buyers represent that they have all necessary expertise in the safety and regulatory ramifications of their applications, and acknowledge and agree that they are solely responsible for all legal, regulatory and safety-related requirements concerning their products and any use of TI products in such safety-critical applications, notwithstanding any applications-related information or support that may be provided by TI. Further, Buyers must fully indemnify TI and its representatives against any damages arising out of the use of TI products in such safety-critical applications.

TI products are neither designed nor intended for use in military/aerospace applications or environments unless the TI products are specifically designated by TI as military-grade or "enhanced plastic." Only products designated by TI as military-grade meet military specifications. Buyers acknowledge and agree that any such use of TI products which TI has not designated as military-grade is solely at the Buyer's risk, and that they are solely responsible for compliance with all legal and regulatory requirements in connection with such use.

TI products are neither designed nor intended for use in automotive applications or environments unless the specific TI products are designated by TI as compliant with ISO/TS 16949 requirements. Buyers acknowledge and agree that, if they use any non-designated products in automotive applications, TI will not be responsible for any failure to meet such requirements.

Following are URLs where you can obtain information on other Texas Instruments products and application solutions:

Products

Audio	www.ti.com/audio
Amplifiers	amplifier.ti.com
Data Converters	dataconverter.ti.com
DLP® Products	www.dlp.com
DSP	dsp.ti.com
Clocks and Timers	www.ti.com/clocks
Interface	interface.ti.com
Logic	logic.ti.com
Power Mgmt	power.ti.com
Microcontrollers	microcontroller.ti.com
RFID	www.ti-rfid.com
OMAP Mobile Processors	www.ti.com/omap
Wireless Connectivity	www.ti.com/wirelessconnectivity

Applications

Communications and Telecom	www.ti.com/communications
Computers and Peripherals	www.ti.com/computers
Consumer Electronics	www.ti.com/consumer-apps
Energy and Lighting	www.ti.com/energy
Industrial	www.ti.com/industrial
Medical	www.ti.com/medical
Security	www.ti.com/security
Space, Avionics and Defense	www.ti.com/space-avionics-defense
Transportation and Automotive	www.ti.com/automotive
Video and Imaging	www.ti.com/video

TI E2E Community Home Page

e2e.ti.com

Mailing Address: Texas Instruments, Post Office Box 655303, Dallas, Texas 75265
Copyright © 2011, Texas Instruments Incorporated