

LPC661

LPC661 Low Power CMOS Operational Amplifier



Literature Number: SNOS620A

LPC661

Low Power CMOS Operational Amplifier

General Description

The LPC661 CMOS operational amplifier is ideal for operation from a single supply. It features a wide range of operating supply voltage from +5V to +15V, rail-to-rail output swing and an input common-mode range that includes ground. Performance limitations that have plagued CMOS amplifiers in the past are not a problem with this design. Input V_{OS} , drift, and broadband noise as well as voltage gain (into 100 k Ω and 5 k Ω) are all equal to or better than widely accepted bipolar equivalents, while the supply current requirement is typically 55 μ A.

This chip is built with National's advanced Double-Poly Silicon-Gate CMOS process.

See the LPC660 datasheet for a Quad CMOS operational amplifier or the LPC662 data sheet for a Dual CMOS operational amplifier with these same features.

Features

(Typical unless otherwise noted)

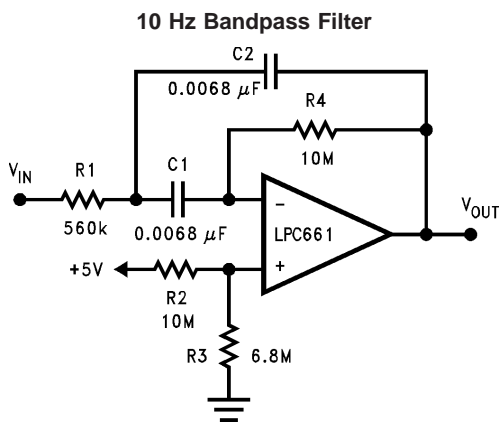
- Rail-to-rail output swing

- Low supply current 55 μ A
- Specified for 100 k Ω and 5 k Ω loads
- High voltage gain 120 dB
- Low input offset voltage 3 mV
- Low offset voltage drift 1.3 μ V/ $^{\circ}$ C
- Ultra low input bias current 2 fA
- Input common-mode range includes GND
- Operating range from +5V to +15V
- Low distortion 0.01% at 1 kHz
- Slew rate 0.11 V/ μ s

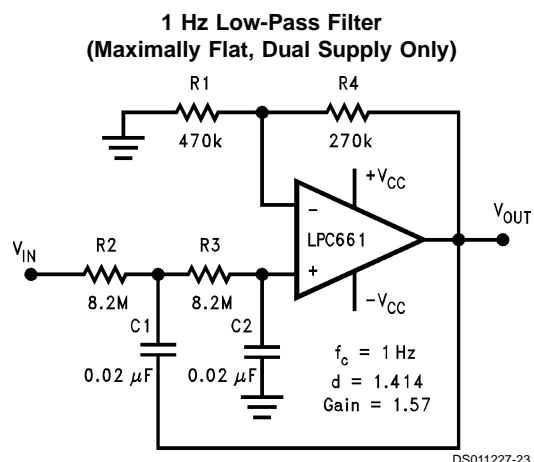
Applications

- High-impedance buffer
- Precision current-to-voltage converter
- Long-term integrator
- High-impedance preamplifier
- Active filter
- Sample-and-Hold circuit
- Peak detector

Application Circuits



$f_0 = 10$ Hz
 $Q = 2.1$
 Gain = 18.9 dB



Absolute Maximum Ratings (Note 1)

If Military/Aerospace specified devices are required, please contact the National Semiconductor Sales Office/Distributors for availability and specifications.

Supply Voltage ($V^+ - V^-$)	16V
Differential Input Voltage	\pm Supply Voltage
Output Short Circuit to V^+	(Notes 2, 9)
Output Short Circuit to V^-	(Note 2)
Storage Temperature Range	-65°C to $+150^\circ\text{C}$
Lead Temperature (Soldering, 10 sec.)	260°C
Junction Temperature (Note 3)	150°C
Power Dissipation	(Note 3)
ESD Rating ($C=100\text{ pF}$, $R=1.5\text{ k}\Omega$)	1000V
Current at Input Pin	$\pm 5\text{ mA}$

Current at Output Pin	$\pm 18\text{ mA}$
Voltage Input/Output Pin	(V^+) $+0.3\text{V}$, (V^-) -0.3V
Current at Power Supply Pin	35 mA

Operating Ratings (Note 1)

Supply Voltage	$4.75\text{V} \leq V^+ \leq 15.5\text{V}$
Junction Temperature Range	
LPC661AM	$-55^\circ\text{C} \leq T_J \leq +125^\circ\text{C}$
LPC661AI	$-40^\circ\text{C} \leq T_J \leq +85^\circ\text{C}$
LPC661I	$-40^\circ\text{C} \leq T_J \leq +85^\circ\text{C}$
Power Dissipation	(Note 7)
Thermal Resistance (θ_{JA}) (Note 8)	
8-Pin DIP	101°C/W
8-Pin SO	165°C/W

DC Electrical Characteristics

The following specifications apply for $V^+ = 5\text{V}$, $V^- = 0\text{V}$, $V_{CM} = 1.5\text{V}$, $V_O = 2.5\text{V}$, and $R_L = 1\text{M}$ unless otherwise noted. **Bold-face** limits apply at the temperature extremes; all other limits $T_J = 25^\circ\text{C}$.

Symbol	Parameter	Conditions	Typ	LPC661AM Limit (Note 4)	LPC661AI Limit (Note 4)	LPC661I Limit (Note 4)	Units (Limit)
V_{OS}	Input Offset Voltage		1	3 3.5	3 3.3	6 6.3	mV
TCV_{OS}	Input Offset Voltage Average Drift		1.3				$\mu\text{V}/^\circ\text{C}$
I_B	Input Bias Current		0.002	20 100	4	4	pA max
I_{OS}	Input Offset Current		0.001	20 100	2	2	pA max
R_{IN}	Input Resistance		>1				Tera Ω
CMRR	Common Mode Rejection Ratio	$0\text{V} \leq V_{CM} \leq 12.0\text{V}$ $V^+ = 15\text{V}$	83	70 68	70 68	63 61	dB min
+PSRR	Positive Power Supply Rejection Ratio	$5\text{V} \leq V^+ \leq 15\text{V}$	83	70 68	70 68	63 61	dB min
-PSRR	Negative Power Supply Rejection Ratio	$0\text{V} \leq V^- \leq -10\text{V}$	94	84 82	84 83	74 73	dB min
V_{CM}	Input Common Mode Voltage Range	$V^+ = 5\text{V}$ and 15V for CMRR $\geq 50\text{ dB}$	-0.4	-0.1 0	-0.1 0	-0.1 0	V max
			$V^+ - 1.9$	$V^+ - 2.3$ $V^+ - 2.6$	$V^+ - 2.3$ $V^+ - 2.5$	$V^+ - 2.3$ $V^+ - 2.5$	V min
A_V	Large Signal Voltage Gain	Sourcing $R_L = 100\text{ k}\Omega$ (Note 5)	1000	400 250	400 300	300 200	V/mV min
		Sinking $R_L = 100\text{ k}\Omega$ (Note 5)	500	180 70	180 120	90 70	V/mV min
		Sourcing $R_L = 5\text{ k}\Omega$ (Note 5)	1000	200 150	200 160	100 80	V/mV min
		Sinking $R_L = 5\text{ k}\Omega$ (Note 5)	250	100 35	100 60	50 40	V/mV min

DC Electrical Characteristics (Continued)

The following specifications apply for $V^+ = 5V$, $V^- = 0V$, $V_{CM} = 1.5V$, $V_O = 2.5V$, and $R_L = 1M$ unless otherwise noted. **Bold-face** limits apply at the temperature extremes; all other limits $T_J = 25^\circ C$.

Symbol	Parameter	Conditions	Typ	LPC661AM Limit (Note 4)	LPC661AI Limit (Note 4)	LPC661I Limit (Note 4)	Units (Limit)
V_O	Output Swing	$V^+ = 5V$ $R_L = 100\text{ k}\Omega$ to 2.5V	4.987	4.970	4.970	4.940	V min
			0.004	0.030	0.030	0.060	V max
		$V^+ = 5V$ $R_L = 5\text{ k}\Omega$ to 2.5V	4.940	4.850	4.850	4.750	V min
			0.040	0.150	0.150	0.250	V max
		$V^+ = 15V$ $R_L = 100\text{ k}\Omega$ to 7.5V	14.970	14.920	14.920	14.880	V min
			0.007	0.030	0.030	0.060	V max
$V^+ = 15V$ $R_L = 5\text{ k}\Omega$ to 7.5V	14.840	14.680	14.680	14.580	V min		
	0.110	0.220	0.220	0.320	V max		
I_O	Output Current $V^+ = 5V$	Sourcing, $V_O = 0V$	22	16 12	16 14	13 11	mA min
		Sinking, $V_O = 5V$	21	16 12	16 14	13 11	mA min
I_O	Output Current $V^+ = 15V$	Sourcing, $V_O = 0V$	40	19 19	28 25	23 20	mA min
		Sinking, $V_O = 13V$ (Note 9)	39	19 19	28 24	23 19	mA min
I_S	Supply Current	$V^+ = 5V$, $V_O = 1.5V$	55	60 70	60 70	70 85	μA max
		$V^+ = 15V$, $V_O = 1.5V$	58	75 85	75 85	90 105	μA max

AC Electrical Characteristics

The following specifications apply for $V^+ = 5V$, $V^- = 0V$, $V_{CM} = 1.5V$, $V_O = 2.5V$, and $R_L = 1M$ unless otherwise noted. **Bold-face** limits apply at the temperature extremes; all other limits $T_J = 25^\circ C$.

Symbol	Parameter	Conditions	Typ	LPC661AM Limit (Note 4)	LPC661AI Limit (Note 4)	LPC661I Limit (Note 4)	Units (Limit)
SR	Slew Rate	(Note 6)	0.11	0.07 0.04	0.07 0.05	0.05 0.03	V/ μs min
GBW	Gain-Bandwidth Product		350				kHz
ϕ_m	Phase Margin		50				Deg
G_M	Gain Margin		17				dB
e_n	Input Referred Voltage Noise	$F = 1\text{ kHz}$	42				nV/ \sqrt{Hz}
i_n	Input Referred Current Noise	$F = 1\text{ kHz}$	0.0002				pA/ \sqrt{Hz}
T.H.D.	Total Harmonic Distortion	$F = 1\text{ kHz}$, $A_V = -10$ $R_L = 100\text{ k}\Omega$, $V_O = 8\text{ V}_{PP}$ $V^+ = 15V$	0.01				%

AC Electrical Characteristics (Continued)

Note 1: Absolute Maximum Ratings indicate limits beyond which damage to the device may occur. Operating Ratings indicate conditions for which the device is intended to be functional, but do not guarantee specific performance limits. For guaranteed specifications and test conditions, see the Electrical Characteristics. The guaranteed specifications apply only for the test conditions listed.

Note 2: Applies to both single supply and split supply operation. Continuous short circuit operation at elevated ambient temperature can result in exceeding the maximum allowed junction temperature of 150°C. Output currents in excess of ±30 mA over long term may adversely affect reliability.

Note 3: The maximum power dissipation is a function of $T_{J(max)}$, θ_{JA} and T_A . The maximum allowable power dissipation at any ambient temperature is $P_D = (T_{J(max)} - T_A) / \theta_{JA}$.

Note 4: Limits are guaranteed by testing or correlation.

Note 5: $V_+ = 15V$, $V_{CM} = 7.5V$ and R_L connected to 7.5V. For sourcing tests, $7.5V \leq V_O \leq 11.5V$. For sinking tests, $2.5V \leq V_O \leq 7.5V$.

Note 6: $V_+ = 15V$. Connected as Voltage Follower with 10V step input. Number specified is the slower of the positive and negative slew rates.

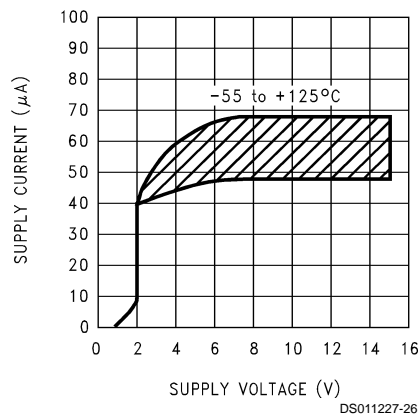
Note 7: For operating at elevated temperatures the device must be derated based on the thermal resistance θ_{JA} with $P_D = (T_J - T_A) / \theta_{JA}$.

Note 8: All numbers apply for packages soldered directly into a PC board.

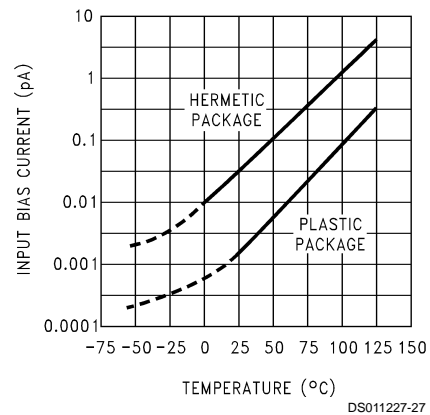
Note 9: Do not connect output to V^+ when V^+ is greater than 13V or reliability may be adversely affected.

Typical Performance Characteristics $V_S = \pm 7.5V$, $T_A = 25^\circ C$ unless otherwise specified

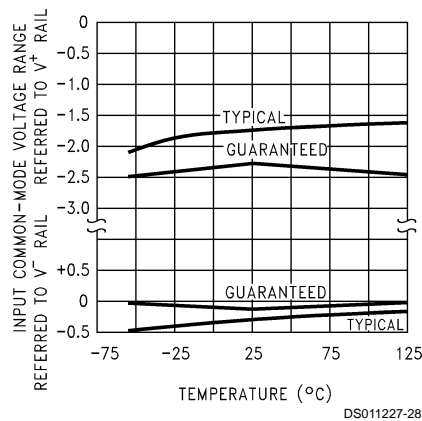
Supply Current vs Supply Voltage



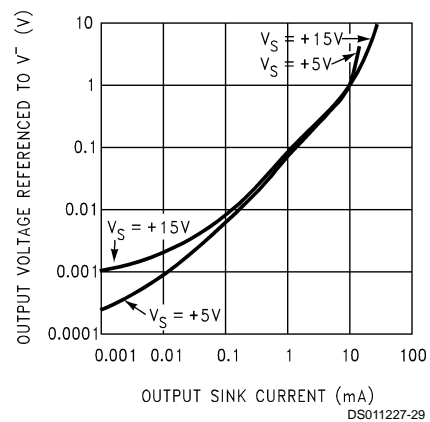
Input Bias Current vs Temperature



Common-Mode Voltage Range vs Temperature

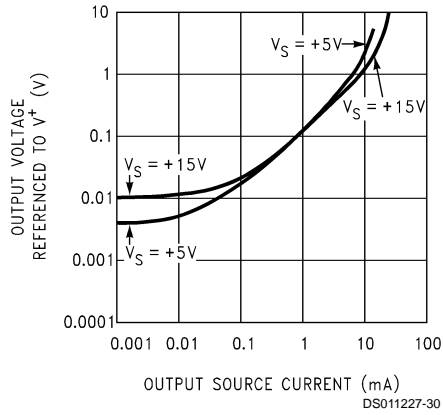


Output Characteristics Current Sinking

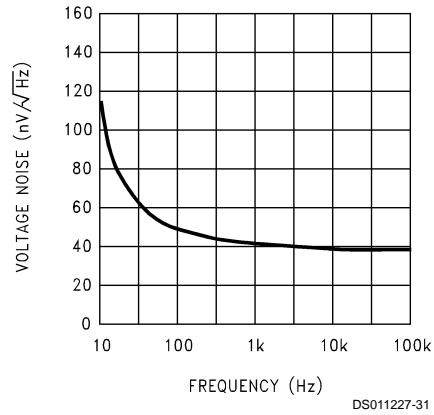


Typical Performance Characteristics $V_S = \pm 7.5V$, $T_A = 25^\circ C$ unless otherwise specified (Continued)

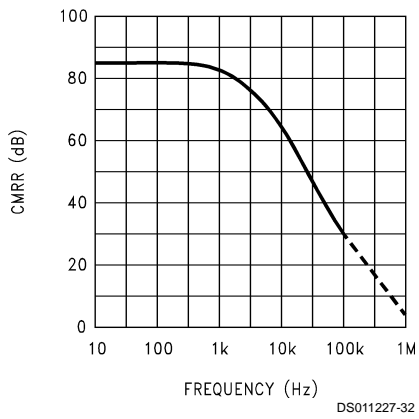
Output Characteristics Current Sourcing



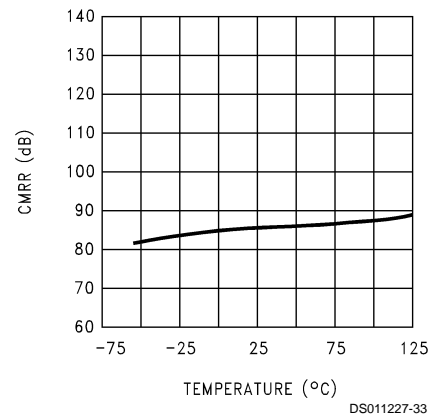
Input Voltage Noise vs Frequency



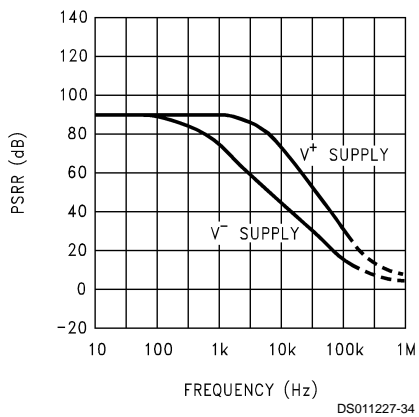
CMRR vs Frequency



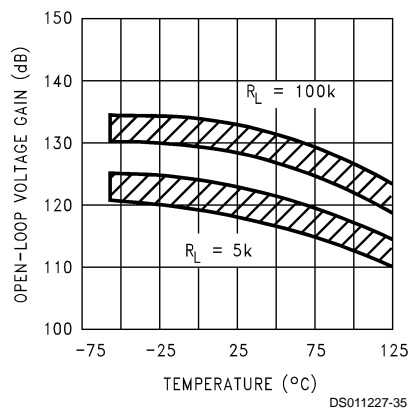
CMRR vs Temperature



Power Supply Rejection Ratio vs Frequency

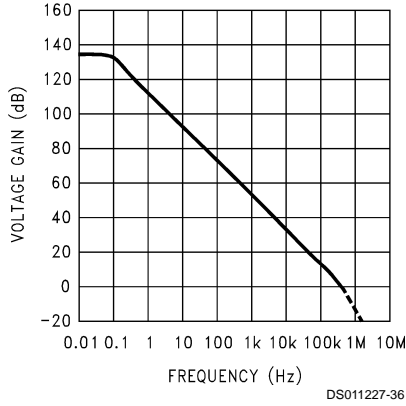


Open-Loop Voltage Gain vs Temperature

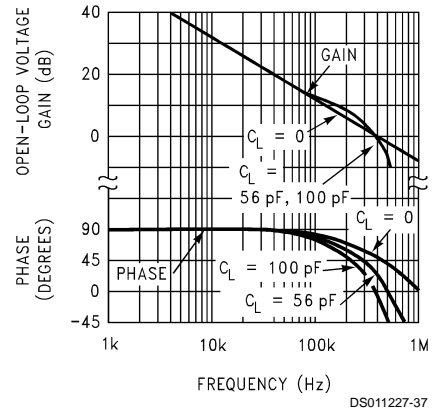


Typical Performance Characteristics $V_S = \pm 7.5V$, $T_A = 25^\circ C$ unless otherwise specified (Continued)

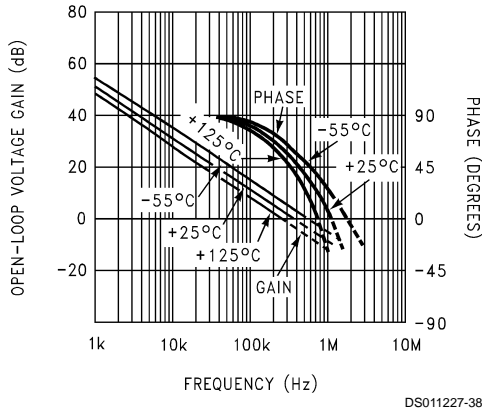
Open-Loop Frequency Response



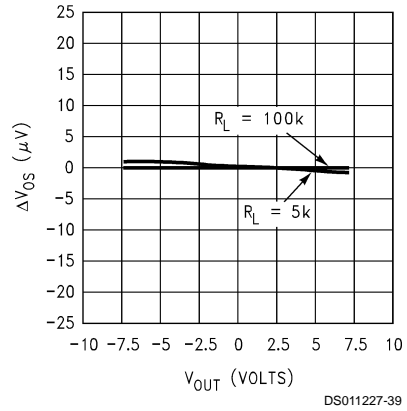
Gain and Phase Responses vs Load Capacitance



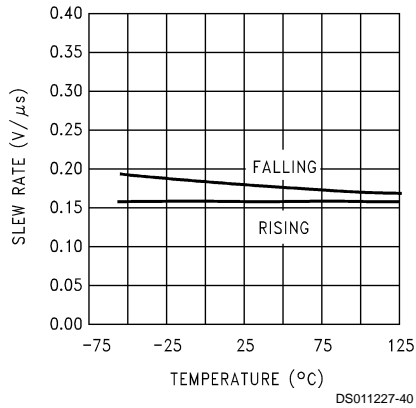
Gain and Phase Responses vs Temperature



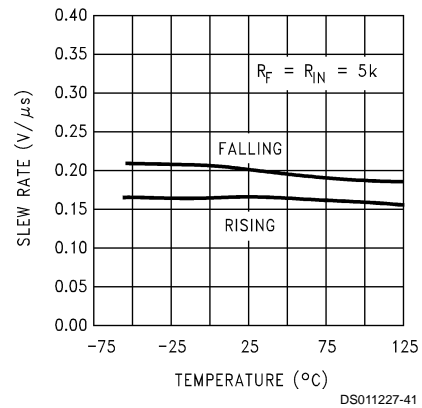
Gain Error (V_{OS} vs V_{OUT})



Non-Inverting Slew Rate vs Temperature

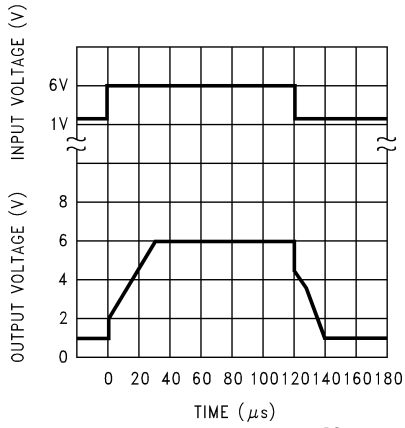


Inverting Slew Rate vs Temperature



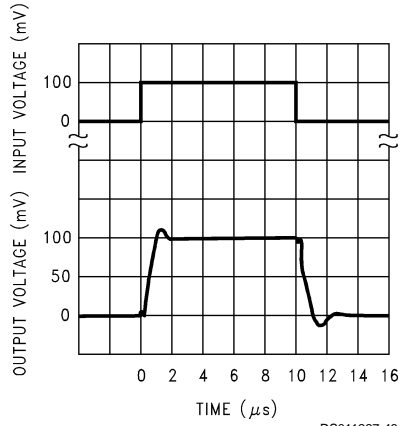
Typical Performance Characteristics $V_S = \pm 7.5V$, $T_A = 25^\circ C$ unless otherwise specified (Continued)

**Large-Signal Pulse
Non-Inverting Response**
($A_V = +1$)



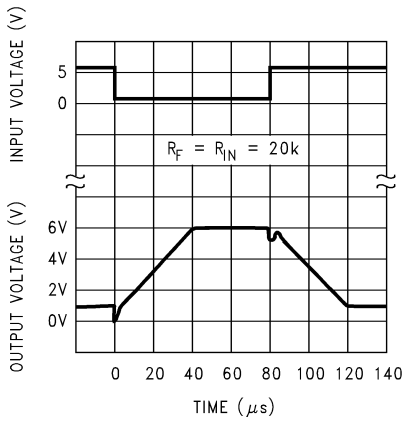
DS011227-42

**Non-Inverting Small
Signal Pulse Response**
($A_V = +1$)



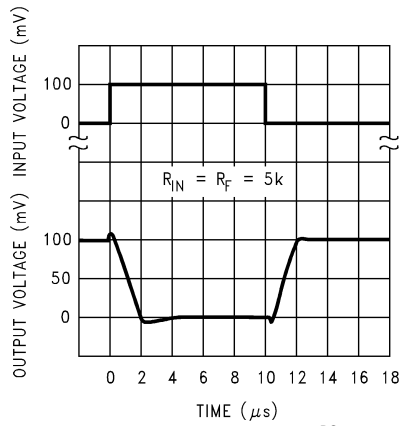
DS011227-43

**Inverting Large-Signal
Pulse Response**



DS011227-44

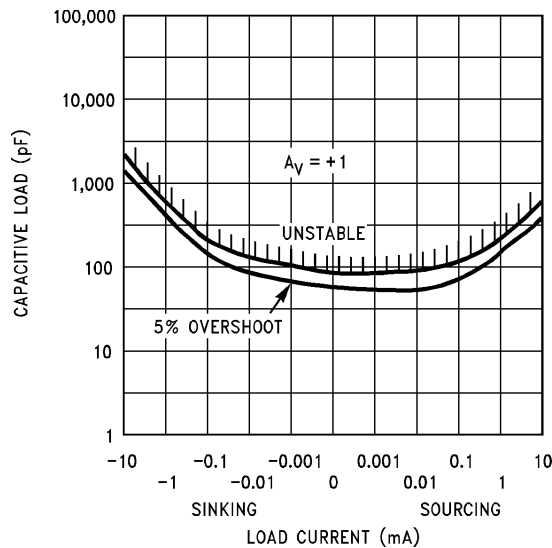
**Inverting Small-Signal
Pulse Response**



DS011227-45

Typical Performance Characteristics $V_S = \pm 7.5V$, $T_A = 25^\circ C$ unless otherwise specified (Continued)

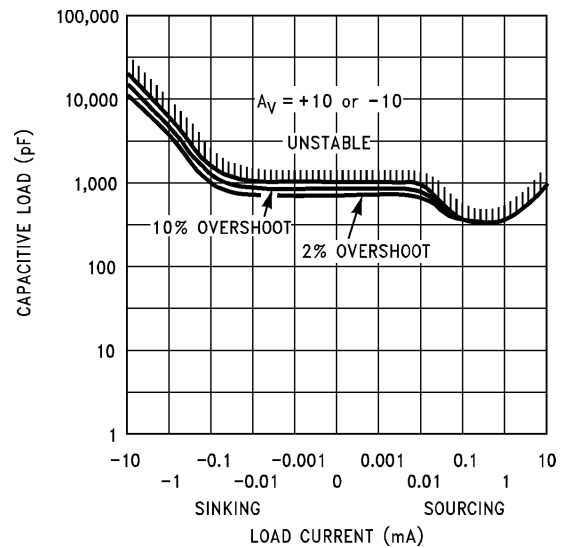
Stability vs Capacitive Load



DS011227-4

Note: Avoid resistive loads of less than 500Ω , as they may cause instability.

Stability vs Capacitive Load



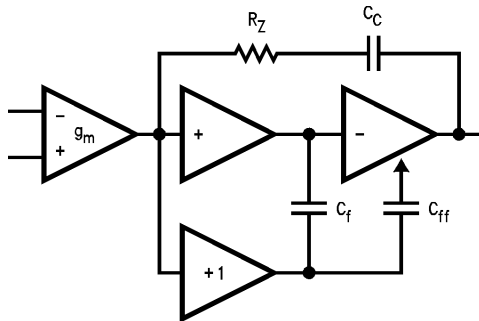
DS011227-5

Application Hints

AMPLIFIER TOPOLOGY

The topology chosen for the LPC661 is unconventional (compared to general-purpose op amps) in that the traditional unity-gain buffer output stage is not used; instead, the output is taken directly from the output of the integrator, to allow rail-to-rail output swing. Since the buffer traditionally delivers the power to the load, while maintaining high op amp gain and stability, and must withstand shorts to either rail, these tasks now fall to the integrator.

As a result of these demands, the integrator is a compound affair with an embedded gain stage that is doubly fed forward (via C_f and C_{ff}) by a dedicated unity-gain compensation driver. In addition, the output portion of the integrator is a push-pull configuration for delivering heavy loads. While sinking current the whole amplifier path consists of three gain stages with one stage fed forward, whereas while sourcing the path contains four gain stages with two fed forward.



DS011227-6

FIGURE 1. LPC661 Circuit Topology

The large signal voltage gain while sourcing is comparable to traditional bipolar op amps, for load resistance of at least $5\text{ k}\Omega$. The gain while sinking is higher than most CMOS op amps, due to the additional gain stage; however, when driv-

ing load resistance of $5\text{ k}\Omega$ or less, the gain will be reduced as indicated in the Electrical Characteristics. The op amp can drive load resistance as low as 500Ω without instability.

COMPENSATING INPUT CAPACITANCE

Refer to the LMC660 or LMC662 datasheets to determine whether or not a feedback capacitor will be necessary for compensation and what the value of that capacitor would be.

CAPACITIVE LOAD TOLERANCE

Like many other op amps, the LPC661 may oscillate when its applied load appears capacitive. The threshold of oscillation varies both with load and circuit gain. The configuration most sensitive to oscillation is a unity-gain follower. See the Typical Performance Characteristics.

The load capacitance interacts with the op amp's output resistance to create an additional pole. If this pole frequency is sufficiently low, it will degrade the op amp's phase margin so that the amplifier is no longer stable at low gains. The addition of a small resistor (50Ω to 100Ω) in series with the op amp's output, and a capacitor (5 pF to 10 pF) from inverting input to output pins, returns the phase margin to a safe value without interfering with lower-frequency circuit operation. Thus, larger values of capacitance can be tolerated without oscillation. Note that in all cases, the output will ring heavily when the load capacitance is near the threshold for oscillation.

Application Hints (Continued)

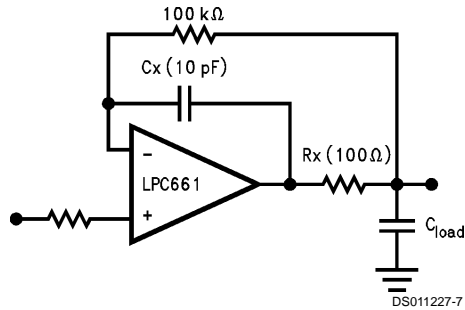


FIGURE 2. R_x, C_x Improve Capacitive Load Tolerance

Capacitive load driving capability is enhanced by using a pull up resistor to V⁺ (Figure 3). Typically a pull up resistor conducting 50 μA or more will significantly improve capacitive load responses. The value of the pull up resistor must be determined based on the current sinking capability of the amplifier with respect to the desired output swing. Open loop gain of the amplifier can also be affected by the pull up resistor (see Electrical Characteristics).

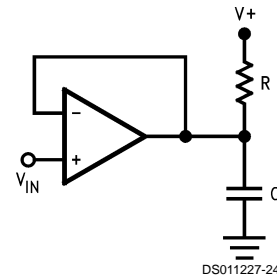


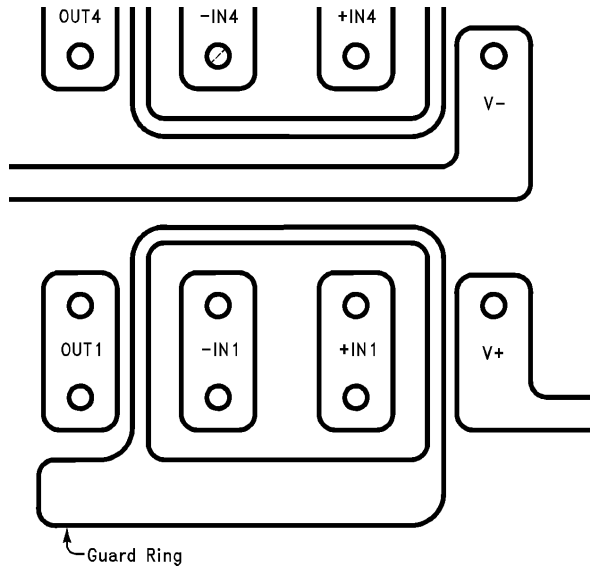
FIGURE 3. Compensating for Large Capacitive Loads with A Pull Up Resistor

PRINTED-CIRCUIT-BOARD LAYOUT FOR HIGH-IMPEDANCE WORK

It is generally recognized that any circuit which must operate with less than 1000 pA of leakage current requires special layout of the PC board. When one wishes to take advantage of the ultra-low bias current of the LPC661, typically less than 0.04 pA, it is essential to have an excellent layout. Fortunately, the techniques for obtaining low leakages are quite simple. First, the user must not ignore the surface leakage of the PC board, even though it may sometimes appear acceptably low, because under conditions of high humidity or dust or contamination, the surface leakage will be appreciable.

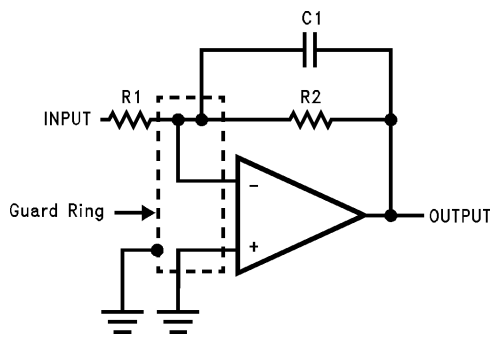
To minimize the effect of any surface leakage, lay out a ring of foil completely surrounding the LPC661's inputs and the terminals of capacitors, diodes, conductors, resistors, relay terminals, etc. connected to the op-amp's inputs. See Figure 4. To have a significant effect, guard rings should be placed on both the top and bottom of the PC board. This PC foil must then be connected to a voltage which is at the same voltage as the amplifier inputs, since no leakage current can flow between two points at the same potential. For example, a PC board trace-to-pad resistance of 10¹²Ω, which is normally considered a very large resistance, could leak 5 pA if the trace were a 5V bus adjacent to the pad of an input. This would cause a 100 times degradation from the LPC660's actual performance. However, if a guard ring is held within 5 mV of the inputs, then even a resistance of 10¹¹Ω would cause only 0.05 pA of leakage current, or perhaps a minor (2:1) degradation of the amplifier's performance. See Figures 5, 6, 7 for typical connections of guard rings for standard op-amp configurations. If both inputs are active and at high impedance, the guard can be tied to ground and still provide some protection; see Figure 8.

Application Hints (Continued)



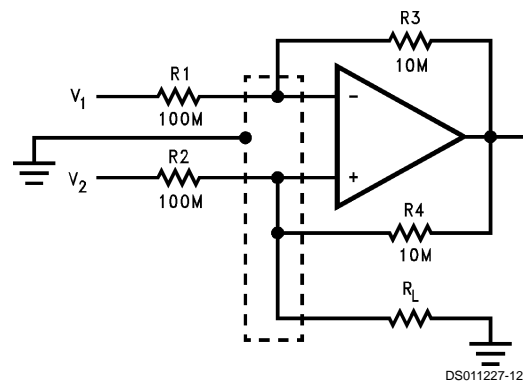
DS011227-8

FIGURE 4. Example of Guard Ring in P.C. Board Layout, Using the LPC660



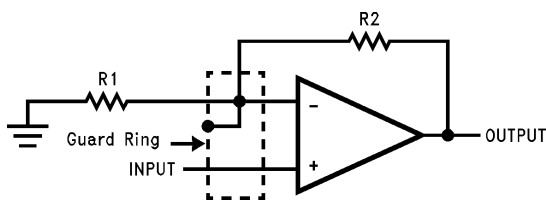
DS011227-9

FIGURE 5. Inverting Amplifier Guard Ring Connections



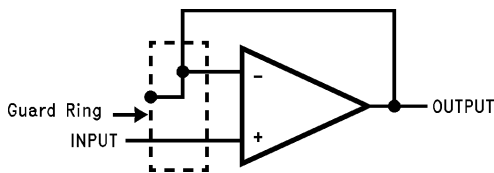
DS011227-12

FIGURE 8. Howland Current Pump Guard Ring Connections



DS011227-10

FIGURE 6. Non-Inverting Amplifier Guard Ring Connections

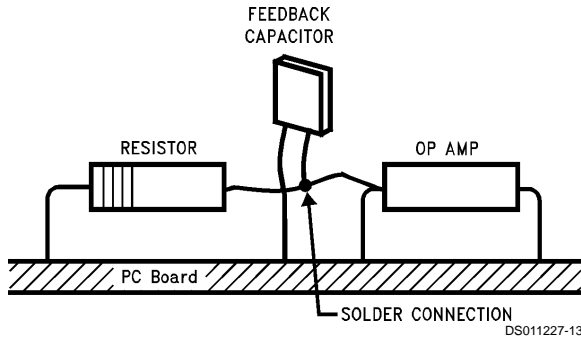


DS011227-11

FIGURE 7. Follower Guard Ring Connections

The designer should be aware that when it is inappropriate to lay out a PC board for the sake of just a few circuits, there is another technique which is even better than a guard ring on a PC board: Don't insert the amplifier's input pin into the board at all, but bend it up in the air and use only air as an insulator. Air is an excellent insulator. In this case you may have to forego some of the advantages of PC board construction, but the advantages are sometimes well worth the effort of using point-to-point up-in-the-air wiring. See Figure 9.

Application Hints (Continued)



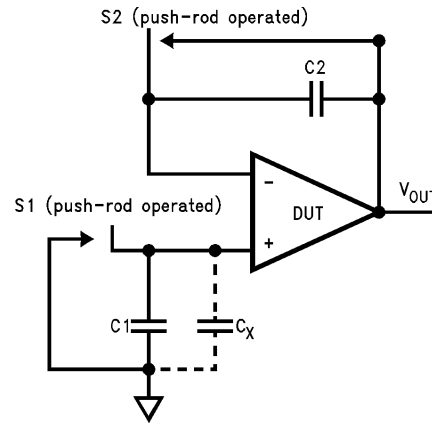
(Input pins are lifted out of PC board and soldered directly to components. All other pins connected to PC board.)

FIGURE 9. Air Wiring

BIAS CURRENT TESTING

The test method of *Figure 10* is appropriate for bench-testing bias current with reasonable accuracy. To understand its operation, first close switch S2 momentarily. When S2 is opened, then

$$I^- = \frac{dV_{OUT}}{dt} \times C2.$$



DS011227-14

FIGURE 10. Simple Input Bias Current Test Circuit

A suitable capacitor for C2 would be a 5 pF or 10 pF silver mica, NPO ceramic, or air-dielectric. When determining the magnitude of I^- , the leakage of the capacitor and socket must be taken into account. Switch S2 should be left shorted most of the time, or else the dielectric absorption of the capacitor C2 could cause errors.

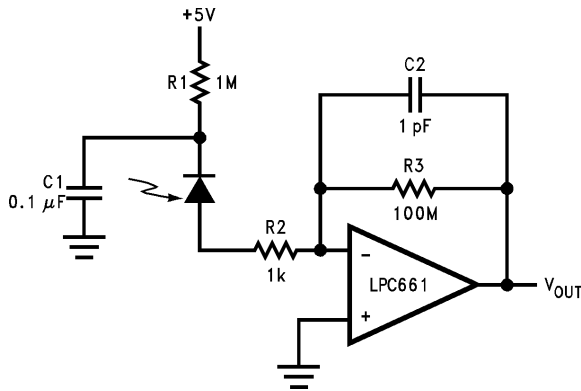
Similarly, if S1 is shorted momentarily (while leaving S2 shorted)

$$I^+ = \frac{dV_{OUT}}{dt} \times (C1 + C_x)$$

where C_x is the stray capacitance at the + input.

Typical Single-Supply Applications ($V_+ = 5.0 V_{DC}$)

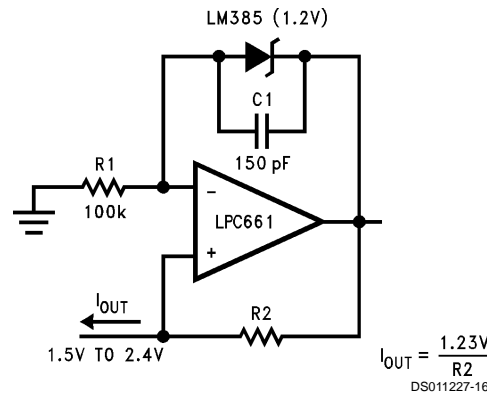
Photodiode Current-to-Voltage Converter



DS011227-15

Note: A 5V bias on the photodiode can cut its capacitance by a factor of 2 or 3, leading to improved response and lower noise. However, this bias on the photodiode will cause photodiode leakage (also known as its dark current).

Micropower Current Source

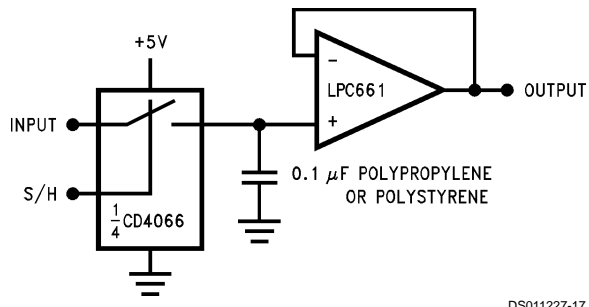


$$I_{OUT} = \frac{1.23V}{R2}$$

(Upper limit of output range dictated by input common-mode range; lower limit dictated by minimum current requirement of LM385.)

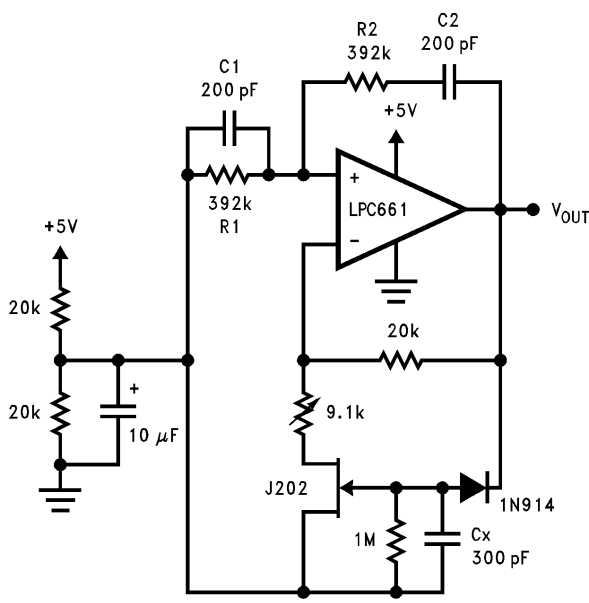
Typical Single-Supply Applications (V+ = 5.0 V_{DC}) (Continued)

Low-Leakage Sample-and-Hold



DS011227-17

Sine-Wave Oscillator

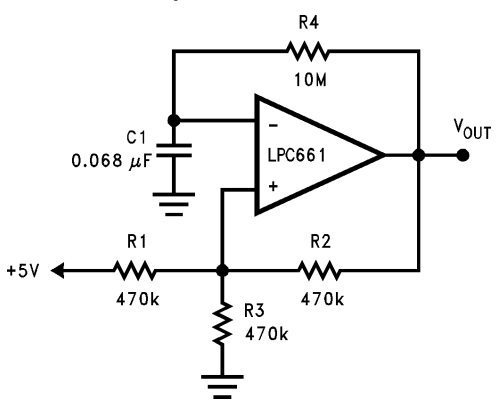


DS011227-18

Oscillator frequency is determined by R1, R2, C1, and C2:
 $f_{osc} = 1/2\pi RC$
 where $R = R1 = R2$ and $C = C1 = C2$.

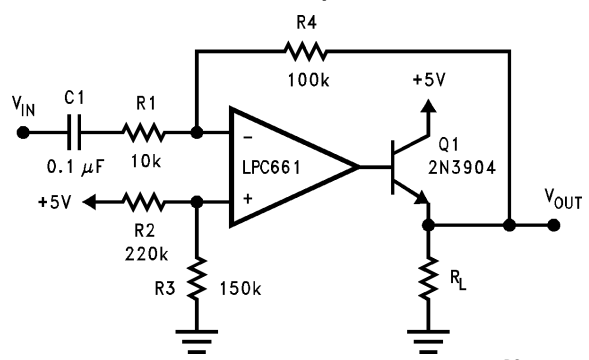
This circuit, as shown, oscillates at 2.0 kHz with a peak-to-peak output swing of 4.5V

1 Hz Square-Wave Oscillator



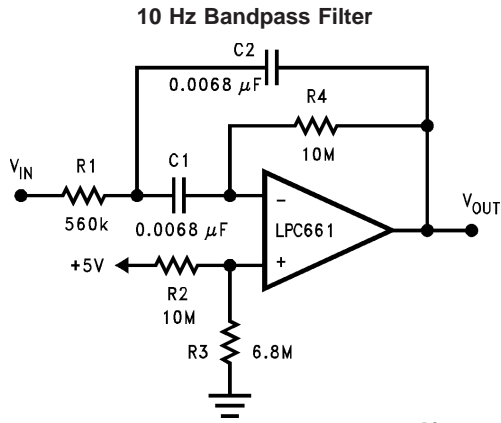
DS011227-19

Power Amplifier



DS011227-20

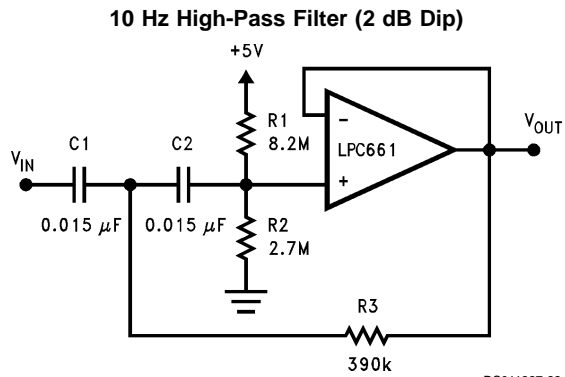
Typical Single-Supply Applications (V+ = 5.0 V_{DC}) (Continued)



$f_o = 10$ Hz
 $Q = 2.1$
 Gain = 18.9 dB

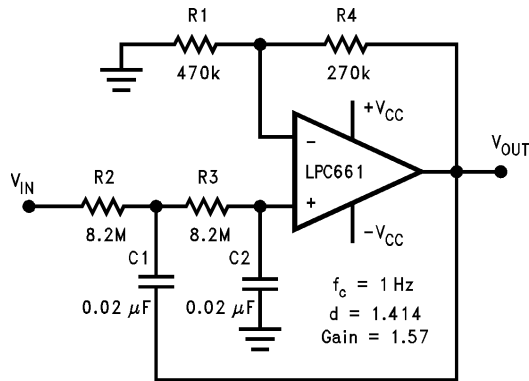
DS011227-21

$f_c = 10$ Hz
 $d = 0.895$
 Gain = 1



DS011227-22

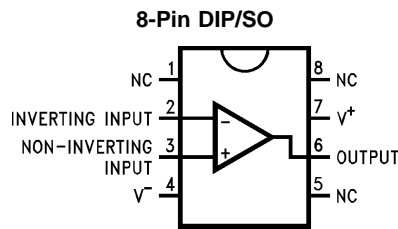
1 Hz Low-Pass Filter (Maximally Flat, Dual Supply Only)



DS011227-23

$f_c = 1$ Hz
 $d = 1.414$
 Gain = 1.57

Connection Diagram

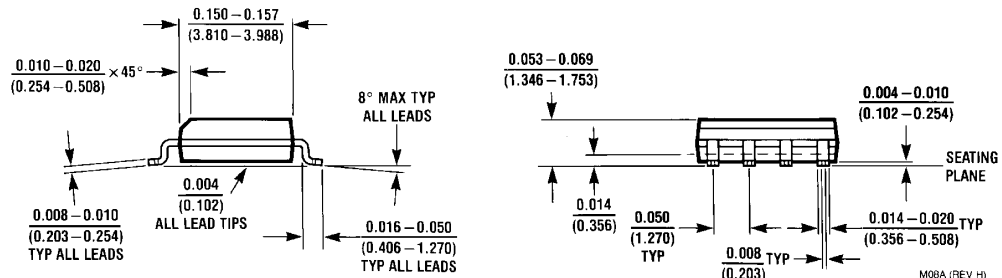
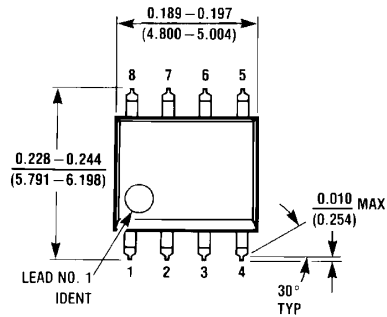


DS011227-1

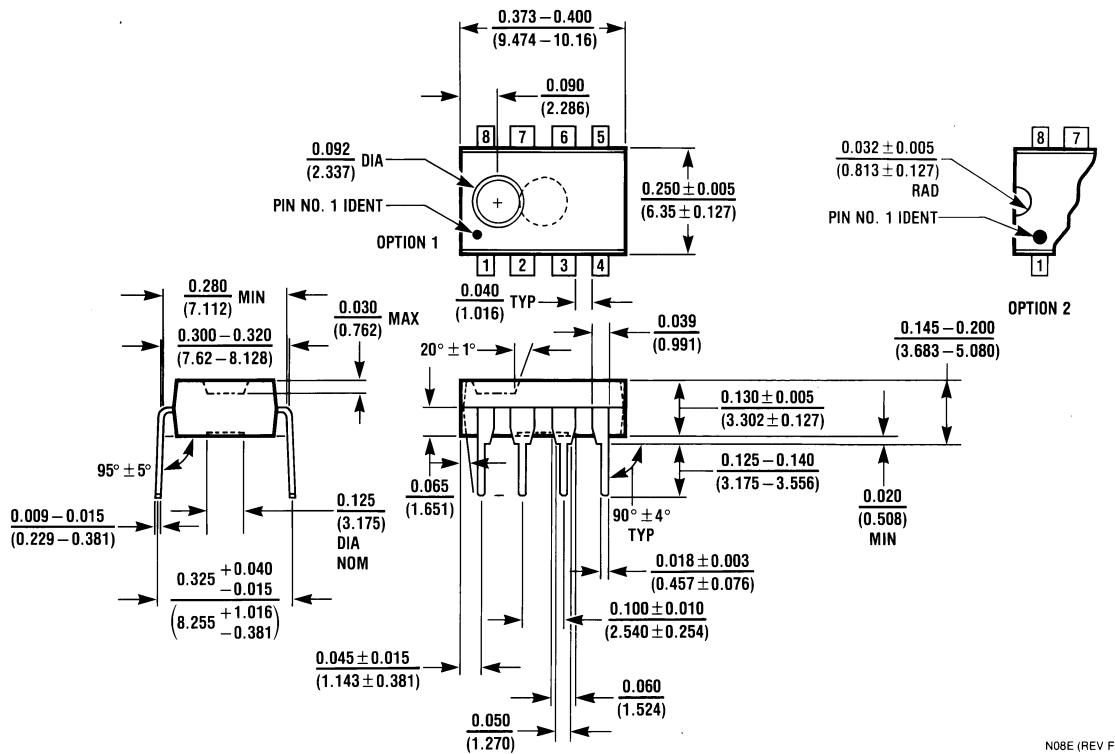
Ordering Information

Package	Temperature Range		NSC Drawing	Transport Media
	Military -55°C to +125°C	Industrial -40°C to +85°C		
8-Pin Small Outline		LPC661AIM LPC661IM	M08A	Tape and Reel Rail
8-Pin Molded DIP	LPC661AMN	LPC661AIN LPC661IN	N08E	Rail

Physical Dimensions inches (millimeters) unless otherwise noted



8-Pin Small Outline Molded Package (M)
Order Number LPC661AIM or LPC661IM
NS Package Number M08A



8-Pin Molded Dual-In-Line Package (N)
Order Number LPC661AIN, LPC661IN or LPC661AMN
NS Package Number N08E

Notes

LIFE SUPPORT POLICY

NATIONAL'S PRODUCTS ARE NOT AUTHORIZED FOR USE AS CRITICAL COMPONENTS IN LIFE SUPPORT DEVICES OR SYSTEMS WITHOUT THE EXPRESS WRITTEN APPROVAL OF THE PRESIDENT AND GENERAL COUNSEL OF NATIONAL SEMICONDUCTOR CORPORATION. As used herein:

1. Life support devices or systems are devices or systems which, (a) are intended for surgical implant into the body, or (b) support or sustain life, and whose failure to perform when properly used in accordance with instructions for use provided in the labeling, can be reasonably expected to result in a significant injury to the user.
2. A critical component is any component of a life support device or system whose failure to perform can be reasonably expected to cause the failure of the life support device or system, or to affect its safety or effectiveness.



National Semiconductor Corporation
Americas
Tel: 1-800-272-9959
Fax: 1-800-737-7018
Email: support@nsc.com
www.national.com

National Semiconductor Europe
Fax: +49 (0) 180-530 85 86
Email: europe.support@nsc.com
Deutsch Tel: +49 (0) 69 9508 6208
English Tel: +44 (0) 870 24 0 2171
Français Tel: +33 (0) 1 41 91 8790

National Semiconductor Asia Pacific Customer Response Group
Tel: 65-2544466
Fax: 65-2504466
Email: ap.support@nsc.com

National Semiconductor Japan Ltd.
Tel: 81-3-5639-7560
Fax: 81-3-5639-7507

IMPORTANT NOTICE

Texas Instruments Incorporated and its subsidiaries (TI) reserve the right to make corrections, modifications, enhancements, improvements, and other changes to its products and services at any time and to discontinue any product or service without notice. Customers should obtain the latest relevant information before placing orders and should verify that such information is current and complete. All products are sold subject to TI's terms and conditions of sale supplied at the time of order acknowledgment.

TI warrants performance of its hardware products to the specifications applicable at the time of sale in accordance with TI's standard warranty. Testing and other quality control techniques are used to the extent TI deems necessary to support this warranty. Except where mandated by government requirements, testing of all parameters of each product is not necessarily performed.

TI assumes no liability for applications assistance or customer product design. Customers are responsible for their products and applications using TI components. To minimize the risks associated with customer products and applications, customers should provide adequate design and operating safeguards.

TI does not warrant or represent that any license, either express or implied, is granted under any TI patent right, copyright, mask work right, or other TI intellectual property right relating to any combination, machine, or process in which TI products or services are used. Information published by TI regarding third-party products or services does not constitute a license from TI to use such products or services or a warranty or endorsement thereof. Use of such information may require a license from a third party under the patents or other intellectual property of the third party, or a license from TI under the patents or other intellectual property of TI.

Reproduction of TI information in TI data books or data sheets is permissible only if reproduction is without alteration and is accompanied by all associated warranties, conditions, limitations, and notices. Reproduction of this information with alteration is an unfair and deceptive business practice. TI is not responsible or liable for such altered documentation. Information of third parties may be subject to additional restrictions.

Resale of TI products or services with statements different from or beyond the parameters stated by TI for that product or service voids all express and any implied warranties for the associated TI product or service and is an unfair and deceptive business practice. TI is not responsible or liable for any such statements.

TI products are not authorized for use in safety-critical applications (such as life support) where a failure of the TI product would reasonably be expected to cause severe personal injury or death, unless officers of the parties have executed an agreement specifically governing such use. Buyers represent that they have all necessary expertise in the safety and regulatory ramifications of their applications, and acknowledge and agree that they are solely responsible for all legal, regulatory and safety-related requirements concerning their products and any use of TI products in such safety-critical applications, notwithstanding any applications-related information or support that may be provided by TI. Further, Buyers must fully indemnify TI and its representatives against any damages arising out of the use of TI products in such safety-critical applications.

TI products are neither designed nor intended for use in military/aerospace applications or environments unless the TI products are specifically designated by TI as military-grade or "enhanced plastic." Only products designated by TI as military-grade meet military specifications. Buyers acknowledge and agree that any such use of TI products which TI has not designated as military-grade is solely at the Buyer's risk, and that they are solely responsible for compliance with all legal and regulatory requirements in connection with such use.

TI products are neither designed nor intended for use in automotive applications or environments unless the specific TI products are designated by TI as compliant with ISO/TS 16949 requirements. Buyers acknowledge and agree that, if they use any non-designated products in automotive applications, TI will not be responsible for any failure to meet such requirements.

Following are URLs where you can obtain information on other Texas Instruments products and application solutions:

Products

Audio	www.ti.com/audio
Amplifiers	amplifier.ti.com
Data Converters	dataconverter.ti.com
DLP® Products	www.dlp.com
DSP	dsp.ti.com
Clocks and Timers	www.ti.com/clocks
Interface	interface.ti.com
Logic	logic.ti.com
Power Mgmt	power.ti.com
Microcontrollers	microcontroller.ti.com
RFID	www.ti-rfid.com
OMAP Mobile Processors	www.ti.com/omap
Wireless Connectivity	www.ti.com/wirelessconnectivity

Applications

Communications and Telecom	www.ti.com/communications
Computers and Peripherals	www.ti.com/computers
Consumer Electronics	www.ti.com/consumer-apps
Energy and Lighting	www.ti.com/energy
Industrial	www.ti.com/industrial
Medical	www.ti.com/medical
Security	www.ti.com/security
Space, Avionics and Defense	www.ti.com/space-avionics-defense
Transportation and Automotive	www.ti.com/automotive
Video and Imaging	www.ti.com/video

TI E2E Community Home Page

e2e.ti.com

Mailing Address: Texas Instruments, Post Office Box 655303, Dallas, Texas 75265
Copyright © 2011, Texas Instruments Incorporated