

# 54LVX3383

*54LVX3383 10-Bit Low Power Bus-Exchange Switch*



Literature Number: SNOS668A

# 54LVX3383

## 10-Bit Low Power Bus-Exchange Switch

### General Description

The 54LVX3383 provides two sets of high-speed CMOS TTL-compatible bus switches. The low on resistance of the switch allows inputs to be connected to outputs without adding propagation delay or generating additional ground bounce noise. The device operates as a 10-bit bus switch or a 5-bit bus exchanger. The bus exchange (BX) signal provides nibble swapping of the AB and CD pairs of signals. This exchange configuration allows byte swapping of buses in systems. It can also be used as a quad 2-to-1 multiplexer and to create low delay barrel shifters. The bus enable ( $\overline{BE}$ ) signal turns the switches on.

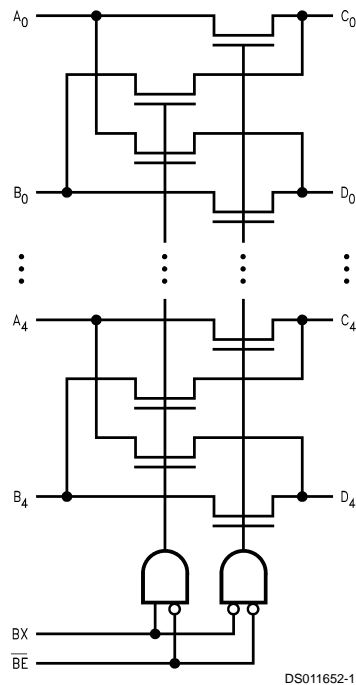
### Features

- 5Ω switch connection between two ports
- Minimal propagation delay through the switch
- Ultra low power with 0.2 μA typical  $I_{CC}$
- Zero ground bounce in flow-through mode
- Control inputs compatible with TTL level
- Available in CDIP and Flatpack packages
- Standard Microcircuit Drawing (SMD) 5962-9950601

### Ordering Code

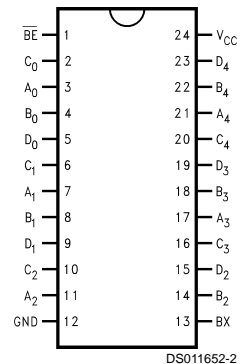
Order Number	Package Number	Package Description
54LVX3383J-QML	J24F	24-Lead Ceramic Dual-in-line
54LVX3383W-QML	W24C	24-Lead Cerpack

### Logic Diagram



### Connection Diagram

Pin Assignment for CDIP and Cerpack



## Pin Descriptions

Pin Names		Description		
$\overline{BE}$		Bus Switch Enable		
BX		Bus Exchange		
$A_0-A_4, B_0-B_4$		Buses A, B		
$C_0-C_4, D_0-D_4$		Buses C, D		

$\overline{BE}$	BX	$A_0-A_4$	$B_0-B_4$	Function
H	X	High-Z State	High-Z State	Disconnect
L	L	$C_0-C_4$	$D_0-D_4$	Connect
L	H	$D_0-D_4$	$C_0-C_4$	Exchange

## Absolute Maximum Ratings (Note 1)

If Military/Aerospace specified devices are required, please contact the National Semiconductor Sales Office/Distributors for availability and specifications.

Supply Voltage ( $V_{CC}$ )	-0.5V to +7.0V
DC Switch Voltage ( $V_S$ )	-0.5V to +7.0V
DC Input Voltage ( $V_I$ ) (Note 2)	-0.5V to +7.0V
DC Input Diode Current ( $I_{IN}$ ) with $V_I < 0$	-20 mA
DC Output ( $I_O$ ) Sink Current	30 mA
Storage Temperature Range ( $T_{STG}$ )	-65°C to +150°C
Junction Temperature ( $T_J$ )	175°C
Power Dissipation	500mW

## Recommended Operating Conditions

Supply Voltage ( $V_{CC}$ )	4.5V to 5.5V
Input Voltage ( $V_{IN}$ )	0V to 5.5V
Input Rise and Fall Time ( $t_r, t_f$ )	
Switch Control Input	0ns/V to 8ns/V
Switch I/O	0ns/V to DC
Free Air Operating Temperature ( $T_A$ )	-55°C to +125°C

**Note 1:** The "Absolute Maximum Ratings" are those values beyond which the safety of the device cannot be guaranteed. The device should not be operated at these limits. The parametric values defined in the Electrical Characteristics tables are not guaranteed at the absolute maximum ratings. The "Recommended Operating Conditions" table will define the conditions for actual device operation.

**Note 2:** The input and output negative voltage ratings may be exceeded if the input and output diode current ratings are observed.

## DC Electrical Characteristics

Symbol	Parameter	$V_{CC}$ (V)	$T_A = -55^\circ\text{C to } +125^\circ\text{C}$		Units	Conditions
			Min	Max		
$V_{IK}$	Maximum Clamp Diode Voltage	4.5		-1.2	V	$I_{IN} = -18 \text{ mA}$
$V_{IH}$	Minimum High Level Input Voltage	4.5–5.5	2.0		V	
$V_{IL}$	Maximum Low Level Input Voltage	4.5–5.5		0.8		
$I_{IN}$	Maximum Input Leakage Current	0		10	$\mu\text{A}$	$0 \leq V_{IN} \leq 5.5\text{V}$
		5.5		$\pm 1$		
$I_{OZ}$	Maximum TRI-STATE I/O Leakage	5.5		$\pm 10$	$\mu\text{A}$	$0 \leq A, B \leq V_{CC}$
$R_{ON}$	Switch On Resistance (Note 3)	4.5		10	$\Omega$	$V_I = 0\text{V}, I_{ON} = 30 \text{ mA}$
				20	$\Omega$	$V_I = 2.4\text{V}, I_{ON} = 15 \text{ mA}$
$I_{CC}$	Maximum Quiescent Supply Current	5.5		10	$\mu\text{A}$	$V_I = V_{CC}, \text{GND}$ $I_O = 0$
$\Delta I_{CC}$	Increase in $I_{CC}$ per Input (Note 4)	5.5		2.5	mA	$V_{IN} = 3.15\text{V}, I_O = 0$ Per Control Input

**Note 3:** Measured by voltage drop between A and B pin at indicated current through the switch. On resistance is determined by the lower of the voltages on the two (A or B) pins.

**Note 4:** Per TTL driven input ( $V_{IN} = 3.15\text{V}$ , control inputs only). A and B pins do not contribute to  $I_{CC}$ .

## AC Electrical Characteristics

Symbol	Parameter	$V_{CC}$ (V)	$T_A = -55^\circ\text{C to } +125^\circ\text{C}$ $C_L = 50\text{ pF}$		Units
			Min	Max	
$t_{PLH}$ , $t_{PHL}$	Data Propagation Delay $A_n$ to $C_n$ , $D_n$ or $B_n$ to $D_n$ , $C_n$ (Note 6)	4.5-5.5		0.25	ns
$t_{PLH}$ , $t_{PHL}$	Switch Exchange Time BX to $A_n$ , $B_n$ , $C_n$ , $D_n$	4.5-5.5	1.5	7.0	ns
$t_{PZL}$ , $t_{PZH}$	Switch Enable Time $\overline{BE}$ to $A_n$ , $B_n$ , $C_n$ or $D_n$	4.5-5.5	1.5	7.0	ns
$t_{PLZ}$ , $t_{PHZ}$	Switch Disable Time $\overline{BE}$ to $A_n$ , $B_n$ , $C_n$ , or $D_n$	4.5-5.5	1.5	7.0	ns

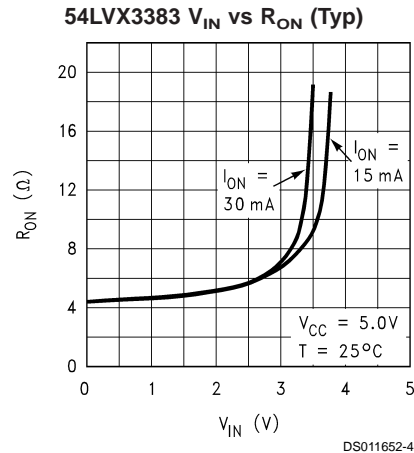
**Note 5:** All typical values are at  $V_{CC} = 5.0\text{V}$ ,  $T_A = 25^\circ\text{C}$ .

**Note 6:** This parameter is guaranteed by design but not tested. The bus switch contributes no propagation delay other than the RC delay of the On resistance of the switch and the load capacitance. The time constant for the switch and alone is of the order of 0.25 ns for 50 pF load. Since this time constant is much smaller than the rise/fall times of typical driving signals, it adds very little propagation delay to the system. Propagation delay of the bus switch when used in a system is determined by the driving circuit on the driving side of the switch and its interaction with the load on the driven side.

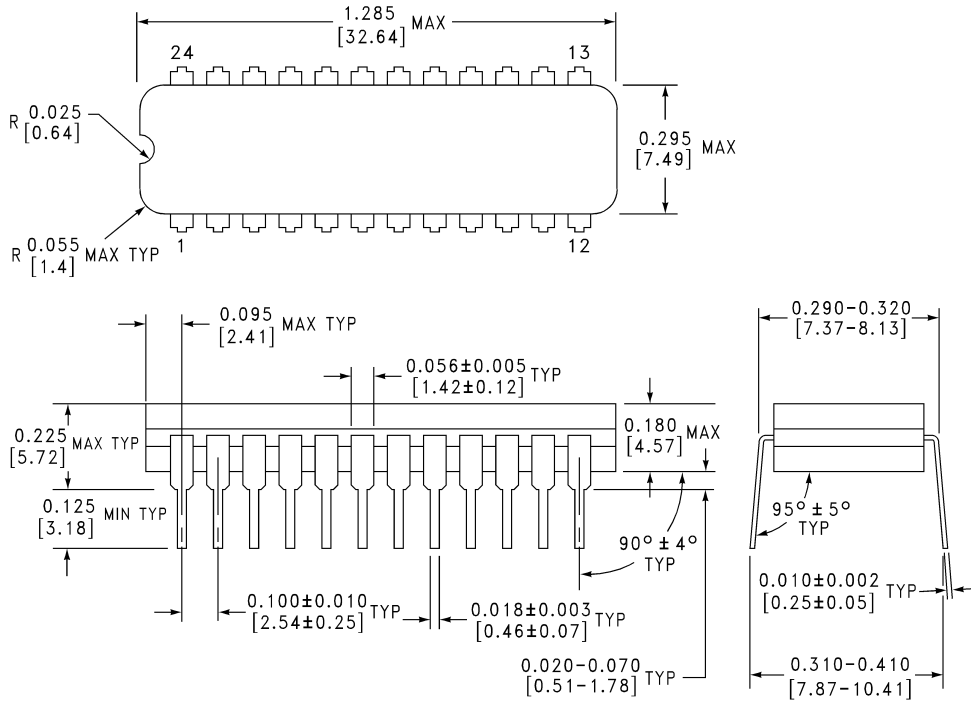
## Capacitance (Note 7)

Symbol	Parameter	Max	Units	Conditions
$C_{IN}$	Control Input Capacitance	12	pF	$V_{CC} = 5.0\text{V}$
$C_{I/O}$ (OFF)	Input/Output Capacitance	20	pF	$V_{CC} = 5.0\text{V}$

**Note 7:** Capacitance is characterized but not tested.

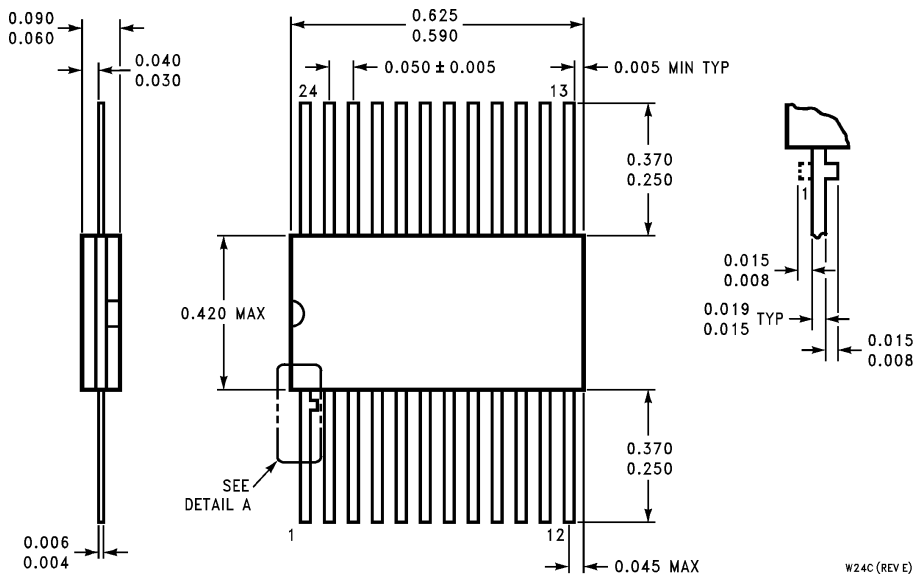


**Physical Dimensions** inches (millimeters) unless otherwise noted



J24F (REV. H)

**24-Lead Ceramic Dual-in-line  
Package Number J24F**



W24C (REV E)

**24-Lead Cerpack  
Package Number W24C**

## Notes

### LIFE SUPPORT POLICY

NATIONAL'S PRODUCTS ARE NOT AUTHORIZED FOR USE AS CRITICAL COMPONENTS IN LIFE SUPPORT DEVICES OR SYSTEMS WITHOUT THE EXPRESS WRITTEN APPROVAL OF THE PRESIDENT AND GENERAL COUNSEL OF NATIONAL SEMICONDUCTOR CORPORATION. As used herein:

1. Life support devices or systems are devices or systems which, (a) are intended for surgical implant into the body, or (b) support or sustain life, and whose failure to perform when properly used in accordance with instructions for use provided in the labeling, can be reasonably expected to result in a significant injury to the user.
2. A critical component is any component of a life support device or system whose failure to perform can be reasonably expected to cause the failure of the life support device or system, or to affect its safety or effectiveness.



**National Semiconductor Corporation**  
Americas  
Tel: 1-800-272-9959  
Fax: 1-800-737-7018  
Email: support@nsc.com  
www.national.com

**National Semiconductor Europe**  
Fax: +49 (0) 180-530 85 86  
Email: europe.support@nsc.com  
Deutsch Tel: +49 (0) 69 9508 6208  
English Tel: +44 (0) 870 24 0 2171  
Français Tel: +33 (0) 1 41 91 8790

**National Semiconductor Asia Pacific Customer Response Group**  
Tel: 65-2544466  
Fax: 65-2504466  
Email: ap.support@nsc.com

**National Semiconductor Japan Ltd.**  
Tel: 81-3-5639-7560  
Fax: 81-3-5639-7507

## IMPORTANT NOTICE

Texas Instruments Incorporated and its subsidiaries (TI) reserve the right to make corrections, modifications, enhancements, improvements, and other changes to its products and services at any time and to discontinue any product or service without notice. Customers should obtain the latest relevant information before placing orders and should verify that such information is current and complete. All products are sold subject to TI's terms and conditions of sale supplied at the time of order acknowledgment.

TI warrants performance of its hardware products to the specifications applicable at the time of sale in accordance with TI's standard warranty. Testing and other quality control techniques are used to the extent TI deems necessary to support this warranty. Except where mandated by government requirements, testing of all parameters of each product is not necessarily performed.

TI assumes no liability for applications assistance or customer product design. Customers are responsible for their products and applications using TI components. To minimize the risks associated with customer products and applications, customers should provide adequate design and operating safeguards.

TI does not warrant or represent that any license, either express or implied, is granted under any TI patent right, copyright, mask work right, or other TI intellectual property right relating to any combination, machine, or process in which TI products or services are used. Information published by TI regarding third-party products or services does not constitute a license from TI to use such products or services or a warranty or endorsement thereof. Use of such information may require a license from a third party under the patents or other intellectual property of the third party, or a license from TI under the patents or other intellectual property of TI.

Reproduction of TI information in TI data books or data sheets is permissible only if reproduction is without alteration and is accompanied by all associated warranties, conditions, limitations, and notices. Reproduction of this information with alteration is an unfair and deceptive business practice. TI is not responsible or liable for such altered documentation. Information of third parties may be subject to additional restrictions.

Resale of TI products or services with statements different from or beyond the parameters stated by TI for that product or service voids all express and any implied warranties for the associated TI product or service and is an unfair and deceptive business practice. TI is not responsible or liable for any such statements.

TI products are not authorized for use in safety-critical applications (such as life support) where a failure of the TI product would reasonably be expected to cause severe personal injury or death, unless officers of the parties have executed an agreement specifically governing such use. Buyers represent that they have all necessary expertise in the safety and regulatory ramifications of their applications, and acknowledge and agree that they are solely responsible for all legal, regulatory and safety-related requirements concerning their products and any use of TI products in such safety-critical applications, notwithstanding any applications-related information or support that may be provided by TI. Further, Buyers must fully indemnify TI and its representatives against any damages arising out of the use of TI products in such safety-critical applications.

TI products are neither designed nor intended for use in military/aerospace applications or environments unless the TI products are specifically designated by TI as military-grade or "enhanced plastic." Only products designated by TI as military-grade meet military specifications. Buyers acknowledge and agree that any such use of TI products which TI has not designated as military-grade is solely at the Buyer's risk, and that they are solely responsible for compliance with all legal and regulatory requirements in connection with such use.

TI products are neither designed nor intended for use in automotive applications or environments unless the specific TI products are designated by TI as compliant with ISO/TS 16949 requirements. Buyers acknowledge and agree that, if they use any non-designated products in automotive applications, TI will not be responsible for any failure to meet such requirements.

Following are URLs where you can obtain information on other Texas Instruments products and application solutions:

### Products

Audio	<a href="http://www.ti.com/audio">www.ti.com/audio</a>
Amplifiers	<a href="http://amplifier.ti.com">amplifier.ti.com</a>
Data Converters	<a href="http://dataconverter.ti.com">dataconverter.ti.com</a>
DLP® Products	<a href="http://www.dlp.com">www.dlp.com</a>
DSP	<a href="http://dsp.ti.com">dsp.ti.com</a>
Clocks and Timers	<a href="http://www.ti.com/clocks">www.ti.com/clocks</a>
Interface	<a href="http://interface.ti.com">interface.ti.com</a>
Logic	<a href="http://logic.ti.com">logic.ti.com</a>
Power Mgmt	<a href="http://power.ti.com">power.ti.com</a>
Microcontrollers	<a href="http://microcontroller.ti.com">microcontroller.ti.com</a>
RFID	<a href="http://www.ti-rfid.com">www.ti-rfid.com</a>
OMAP Mobile Processors	<a href="http://www.ti.com/omap">www.ti.com/omap</a>
Wireless Connectivity	<a href="http://www.ti.com/wirelessconnectivity">www.ti.com/wirelessconnectivity</a>

### Applications

Communications and Telecom	<a href="http://www.ti.com/communications">www.ti.com/communications</a>
Computers and Peripherals	<a href="http://www.ti.com/computers">www.ti.com/computers</a>
Consumer Electronics	<a href="http://www.ti.com/consumer-apps">www.ti.com/consumer-apps</a>
Energy and Lighting	<a href="http://www.ti.com/energy">www.ti.com/energy</a>
Industrial	<a href="http://www.ti.com/industrial">www.ti.com/industrial</a>
Medical	<a href="http://www.ti.com/medical">www.ti.com/medical</a>
Security	<a href="http://www.ti.com/security">www.ti.com/security</a>
Space, Avionics and Defense	<a href="http://www.ti.com/space-avionics-defense">www.ti.com/space-avionics-defense</a>
Transportation and Automotive	<a href="http://www.ti.com/automotive">www.ti.com/automotive</a>
Video and Imaging	<a href="http://www.ti.com/video">www.ti.com/video</a>

TI E2E Community Home Page

[e2e.ti.com](http://e2e.ti.com)

Mailing Address: Texas Instruments, Post Office Box 655303, Dallas, Texas 75265  
Copyright © 2011, Texas Instruments Incorporated