

LM6182

LM6182 Dual 100 mA Output, 100 MHz Current Feedback Amplifier



Literature Number: SNOS704

LM6182

Dual 100 mA Output, 100 MHz Current Feedback Amplifier

General Description

The LM6182 dual current feedback amplifier offers an unparalleled combination of bandwidth, slew-rate, and output current. Each amplifier can directly drive a 2V signal into a 50Ω or 75Ω back-terminated coax cable system over the full industrial temperature range. This represents a radical enhancement in output drive capability for a dual 8-pin high-speed amplifier making it ideal for video applications.

Built on National's advanced high-speed VIP II™ (Vertically Integrated PNP) process, the LM6182 employs current-feedback providing bandwidth that does not vary dramatically with gain; 100 MHz at $A_v = -1$, 60 MHz at $A_v = -10$. With a slew rate of 2000 V/μsec, 2nd harmonic distortion of -50 dBc at 10 MHz and settling time of 50 ns (0.1%), the two independent amplifiers of the LM6182 offer performance that is ideal for data acquisition, high-speed ATE, and precision pulse amplifier applications.

See the LM6181 data sheet for a single amplifier with these same features.

Features

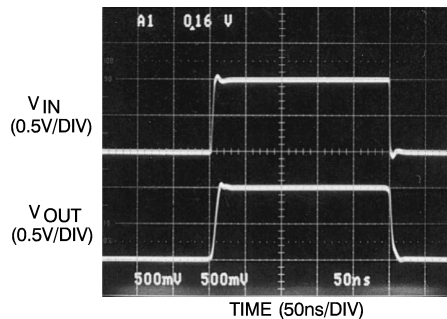
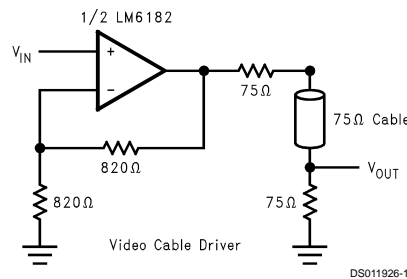
(Typical unless otherwise noted)

- Slew Rate: 2000 V/μs
- Closed Loop Bandwidth: 100 MHz
- Settling Time (0.1%): 50 ns
- Low Differential Gain and Phase Error: 0.05%, 0.04°
 $R_L = 150\Omega$
- Low Offset Voltage: 2 mV
- High Output Drive: ±10V into 150Ω
- Characterized for Supply Ranges: ±5V and ±15V
- Improved Performance over OP260 and LT1229

Applications

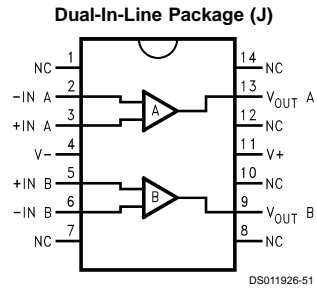
- Coax Cable Driver
- Professional Studio Video Equipment
- Flash ADC Buffer
- PC and Workstation Video Boards
- Facsimile and Imaging Systems

Typical Application

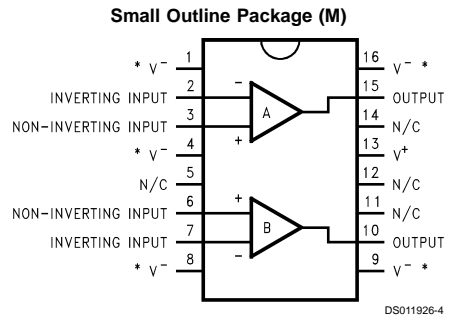


VIP II™ is a trademark of National Semiconductor Corporation.

Connection Diagrams

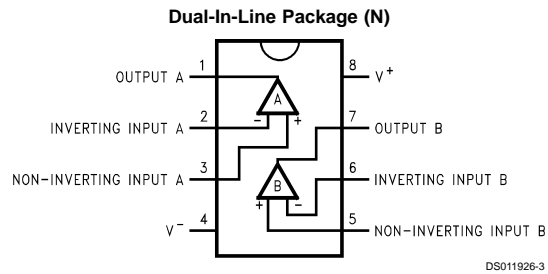


Order Number **LM6182AMJ/883**
See NS Package Number **J14A**



*Heat Sinking Pins (Note 3)

Order Number **LM6182IM or LM6182AIM**
See NS Package Number **M16A**



Order Number **LM6182IN, LM6182AIN or LM6182AMN**
See NS Package Number **N08E**

Absolute Maximum Ratings (Note 1)

If Military/Aerospace specified devices are required, please contact the National Semiconductor Sales Office/Distributors for availability and specifications.

Supply Voltage	±18V
Differential Input Voltage	±6V
Input Voltage	±Supply Voltage
Inverting Input Current	15 mA
Output Short Circuit	(Note 4)

Soldering Information

Dual-In-Line Package (N)	
Soldering (10s)	260°C
Small Outline Package (M)	
Vapor Phase (60s)	215°C
Infrared (15s)	220°C
Storage Temperature Range	-65°C ≤ T _J ≤ +150°C
Junction Temperature	150°C
ESD Rating (Note 2)	±2000V

Operating Ratings

Supply Voltage Range	7V to 32V
Junction Temperature Range (Note 3)	
LM6182AM	-55°C ≤ T _J ≤ +125°C
LM6182AI, LM6182I	-40°C ≤ T _J ≤ +85°C

±15V DC Electrical Characteristics

The following specifications apply for supply voltage = ±15V, V_{cm} = V_O = 0V, R_f = 820Ω, and R_L = 1 kΩ unless otherwise noted. **Boldface** limits apply at the temperature extremes; all other limits T_J = 25°C.

Symbol	Parameter	Conditions	Typical (Note 5)	LM6182AM	LM6182AI	LM6182I	Units
				Limit (Note 6)	Limit (Note 6)	Limit (Note 6)	
V _{OS}	Input Offset Voltage		2.0	3.0	3.0	5.0	mV
				4.0	3.5	5.5	max
TCV _{OS}	Input Offset Voltage Drift		5.0				μV/°C
I _B	Inverting Input Bias Current		2.0	5.0	5.0	10.0	μA
				12.0	12.0	17.0	max
I _B	Non-Inverting Input Bias Current		0.75	2.0	2.0	3.0	μA
				4.0	4.0	5.0	max
TCI _B	Inverting Input Bias Current Drift		30				nA/°C
				Non-Inverting Input Bias Current Drift	10		
I _B	Inverting Input Bias Current	±4.5V ≤ V _S ≤ ±16V	0.1	0.5	0.5	0.75	μA/V
				3.0	3.0	4.5	max
PSR	Power Supply Rejection	±4.5V ≤ V _S ≤ ±16V	0.05	0.5	0.5	0.5	μA/V
				1.5	1.5	3.0	max
I _B	Inverting Input Bias Current	-10V ≤ V _{CM} ≤ +10V	0.15	0.5	0.5	0.75	μA/V
				1.0	1.0	1.5	max
CMR	Common Mode Rejection	-10V ≤ V _{CM} ≤ +10V	0.1	0.5	0.5	0.5	μA/V
				1.0	1.0	1.5	max
CMRR	Common Mode Rejection Ratio	-10V ≤ V _{CM} ≤ +10V	60	50	50	50	dB
				47	47	47	min
PSRR	Power Supply Rejection Ratio	±4.5V ≤ V _S ≤ ±16V	80	70	70	70	dB
				67	67	65	min
R _O	Output Resistance	A _V = -1 f = 300 kHz	0.2				Ω
R _{IN}	Non-Inverting Input Resistance		10				MΩ
V _O	Output Voltage Swing	R _L = 1 kΩ	12	11	11	11	V
		R _L = 150Ω	11	9.5	9.5	9.5	min
I _{SC}	Output Short Circuit Current		100	70	70	70	mA
				37.5	40	40	min

±15V DC Electrical Characteristics (Continued)

The following specifications apply for supply voltage = ±15V, $V_{cm} = V_O = 0V$, $R_f = 820\Omega$, and $R_L = 1\text{ k}\Omega$ unless otherwise noted. **Boldface** limits apply at the temperature extremes; all other limits $T_J = 25^\circ\text{C}$.

Symbol	Parameter	Conditions	Typical (Note 5)	LM6182AM	LM6182AI	LM6182I	Units
				Limit (Note 6)	Limit (Note 6)	Limit (Note 6)	
Z_T	Transimpedance	$R_L = 1\text{ k}\Omega$	1.8	1.0 0.4	1.0 0.5	0.8 0.4	$M\Omega$ min
		$R_L = 150\Omega$	1.4	0.8 0.3	0.8 0.35	0.7 0.3	
I_S	Supply Current	No Load, $V_{IN} = 0V$ Both Amplifiers	15	20 22	20 22	20 22	mA max
V_{CM}	Input Common Mode Voltage Range		$V^+ - 1.7V$ $V^- + 1.7V$				V

±15V AC Electrical Characteristics

The following specifications apply for supply voltage = ±15V, $V_{cm} = V_O = 0V$, $R_f = 820\Omega$, and $R_L = 1\text{ k}\Omega$ unless otherwise noted. **Boldface** limits apply at the temperature extremes; all other limits $T_J = 25^\circ\text{C}$.

Symbol	Parameter	Conditions	Typical (Note 5)	LM6182AM	LM6182AI	LM6182I	Units
				Limit (Note 6)	Limit (Note 6)	Limit (Note 6)	
X_t	Crosstalk Rejection	(Note 7)	93				dB
BW	Closed Loop Bandwidth -3 dB	$A_V = +2$	100				MHz
		$A_V = +10$	75				
		$A_V = -1$	100				
		$A_V = -10$	60				
	Closed Loop Bandwidth 0.1 dB Flat, $R_{SOURCE} = 200\Omega$	$A_V = +2$, $R_L = 150\Omega$	35				
PBW	Power Bandwidth	$A_V = -1$, $V_O = 5\text{ V}_{PP}$	60				
SR	Slew Rate	Overdriven	2000				V/ μ s min
		$A_V = -1$, $V_O = \pm 10V$ $R_L = 150\Omega$, (Note 8)	1400	1000	1000	1000	
t_s	Settling Time (0.1%)	$A_V = -1$, $V_O = \pm 5V$ $R_L = 150\Omega$	50				ns
t_r , t_f	Rise and Fall Time	$V_O = 1\text{ V}_{PP}$	5				
t_p	Propagation Delay Time	$V_O = 1\text{ V}_{PP}$	6				
in(+)	Non-Inverting Input Noise Current Density	$f = 1\text{ kHz}$	3				pA/ $\sqrt{\text{Hz}}$
in(-)	Inverting Input Noise Current Density	$f = 1\text{ kHz}$	16				pA/ $\sqrt{\text{Hz}}$
e_n	Input Noise Voltage Density	$f = 1\text{ kHz}$	4				nV/ $\sqrt{\text{Hz}}$
	Second Harmonic Distortion	$V_O = 2\text{ V}_{PP}$, $f = 10\text{ MHz}$ $A_V = +2$	-50				dBc
	Third Harmonic Distortion	$V_O = 2\text{ V}_{PP}$, $f = 10\text{ MHz}$ $A_V = +2$	-55				
	Differential Gain	$R_L = 150\Omega$ $A_V = +2$, NTSC	0.05				%
	Differential Phase	$R_L = 150\Omega$ $A_V = +2$, NTSC	0.04				Deg
THD	Total Harmonic Distortion	$V_O = 2\text{ V}_{PP}$, $A_V = +2$, $f = 10\text{ MHz}$, $R_L = 150\Omega$	0.58				%

±5V DC Electrical Characteristics

The following specifications apply for supply voltage = ±5V, $V_{cm} = V_O = 0V$, $R_T = 820\Omega$, and $R_L = 1\text{ k}\Omega$ unless otherwise noted. **Boldface** limits apply at the temperature extremes; all other limits $T_J = 25^\circ\text{C}$.

Symbol	Parameter	Conditions	Typical (Note 5)	LM6182AM	LM6182AI	LM6182I	Units
				Limit (Note 6)	Limit (Note 6)	Limit (Note 6)	
V_{OS}	Input Offset Voltage		1.0	2.0	2.0	3.0	mV max
				3.0	2.5	3.5	
TCV_{OS}	Input Offset Voltage Drift		2.5				$\mu\text{V}/^\circ\text{C}$
I_B	Inverting Input Bias Current		5.0	10	10	17.5	μA max
	Non-Inverting Input Bias Current		0.25	1.5	1.5	3.0	
TCI_B	Inverting Input Bias Current Drift		50				$\text{nA}/^\circ\text{C}$
	Non-Inverting Input Bias Current Drift		3.0				
I_B PSR	Inverting Input Bias Current	$\pm 4V \leq V_S \leq \pm 6V$	0.3	0.5	0.5	0.75	$\mu\text{A}/\text{V}$ max
	Power Supply Rejection			1.0	1.0	1.5	
	Non-Inverting Input Bias Current	$\pm 4V \leq V_S \leq \pm 6V$	0.05	0.5	0.5	0.5	
I_B CMR	Inverting Input Bias Current	$-2.5V \leq V_{CM} \leq +2.5V$	0.3	0.5	0.5	1.0	
	Common Mode Rejection			1.0	1.0	1.5	
	Non-Inverting Input Bias Current	$-2.5V \leq V_{CM} \leq +2.5V$	0.12	0.5	0.5	0.5	
CMRR	Common Mode Rejection Ratio	$-2.5V \leq V_{CM} \leq +2.5V$	57	50	50	50	dB min
				47	47	47	
PSRR	Power Supply Rejection Ratio	$\pm 4V \leq V_S \leq \pm 6V$	80	70	70	64	
				67	67	60	
R_O	Output Resistance	$A_V = -1$ $f = 300\text{ kHz}$	0.25				Ω
R_{IN}	Non-Inverting Input Resistance		8				$\text{M}\Omega$
V_O	Output Voltage Swing	$R_L = 1\text{ k}\Omega$	2.6	2.25	2.25	2.25	V min
		$R_L = 150\Omega$	2.2	2.0	2.0	2.0	
I_{SC}	Output Short Circuit Current		100	65	65	65	mA min
				35	40	40	
Z_T	Transimpedance	$R_L = 1\text{ k}\Omega$	1.4	0.75	0.75	0.6	$\text{M}\Omega$ min
		$R_L = 150\Omega$	1.0	0.5	0.5	0.4	
				0.3	0.35	0.3	
				0.2	0.25	0.2	
I_S	Supply Current	No Load, $V_{IN} = 0V$ Both Amplifiers	13	17	17	17	mA max
				18.5	18.5	18.5	
V_{CM}	Input Common Mode Voltage Range		$V^+ - 1.7V$ $V^- + 1.7V$				V

±5V AC Electrical Characteristics

The following specifications apply for supply voltage = ±5V, $V_{cm} = V_O = 0V$, $R_f = 820\Omega$, and $R_L = 1\text{ k}\Omega$ unless otherwise noted. **Boldface** limits apply at the temperature extremes; all other limits $T_J = 25^\circ\text{C}$.

Symbol	Parameter	Conditions	Typical (Note 5)	LM6182AM	LM6182AI	LM6182I	Units
				Limit (Note 6)	Limit (Note 6)	Limit (Note 6)	
Xt	Crosstalk Rejection	(Note 7)	92				dB
BW	Closed Loop Bandwidth -3 dB	$A_V = +2$	50				MHz
		$A_V = +10$	40				
		$A_V = -1$	55				
		$A_V = -10$	35				
	Closed Loop Bandwidth 0.1 dB Flat, $R_{SOURCE} = 200\Omega$	$A_V = +2$, $R_L = 150\Omega$	15				
PBW	Power Bandwidth	$A_V = -1$, $V_O = 4 V_{PP}$	40				
SR	Slew Rate	$A_V = -1$, $V_O = \pm 2V$ $R_L = 150\Omega$, (Note 8)	500	375	375	375	V/ μs min
t_s	Settling Time (0.1%)	$A_V = -1$, $V_O = \pm 2V$ $R_L = 150\Omega$	50				ns
t_r , t_f	Rise and Fall Time	$V_O = 1 V_{PP}$	8.5				
t_p	Propagation Delay Time	$V_O = 1 V_{PP}$	8				
in(+)	Non-Inverting Input Noise Current Density	$f = 1\text{ kHz}$	3				pA/ $\sqrt{\text{Hz}}$
in(-)	Inverting Input Noise Current Density	$f = 1\text{ kHz}$	16				pA/ $\sqrt{\text{Hz}}$
e_n	Input Noise Voltage Density	$f = 1\text{ kHz}$	4				nV/ $\sqrt{\text{Hz}}$
	Second Harmonic Distortion	$V_O = 2 V_{PP}$, $f = 10\text{ MHz}$ $A_V = +2$	-45				dBc
	Third Harmonic Distortion	$V_O = 2 V_{PP}$, $f = 10\text{ MHz}$ $A_V = +2$	-55				
	Differential Gain	$R_L = 150\Omega$ $A_V = +2$, NTSC	0.06				%
	Differential Phase	$R_L = 150\Omega$ $A_V = +2$, NTSC	0.16				Deg
THD	Total Harmonic Distortion	$V_O = 2 V_{PP}$, $A_V = +2$, $f = 5\text{ MHz}$, $R_L = 150\Omega$	0.36				%

Note 1: Absolute Maximum Ratings indicate limits beyond which damage to the device may occur. Operating ratings indicate conditions for which the device is intended to be functional, but device parameter specifications may not be guaranteed under these conditions. For guaranteed specifications and test conditions, see the Electrical Characteristics.

Note 2: Human body model 100 pF and 1.5 k Ω .

Note 3: The typical junction-to-ambient thermal resistance of the molded plastic DIP(N) soldered directly into a PC board is 95°C/W. The junction-to-ambient thermal resistance of the S.O. surface mount (M) package mounted flush to the PC board is 70°C/W when pins 1,4,8,9 and 16 are soldered to a total of 2 in² 1 oz copper trace. The S.O. (M) package must have pin 4 and at least one of pins 1,8,9, or 16 connected to V- for proper operation.

Note 4: Continuous short circuit operation at elevated ambient temperature can result in exceeding the maximum allowable junction temperature of 150°C. Each amplifier of the LM6182 is short circuit current limited to 100 mA typical.

Note 5: Typical values represent the most likely parametric norm.

Note 6: All limits are guaranteed at room temperature (standard type face) or at operating temperature extremes (boldface type).

Note 7: Each amp excited in turn with 100 kHz to produce $V_O = 2 V_{pp}$. Results are input referred.

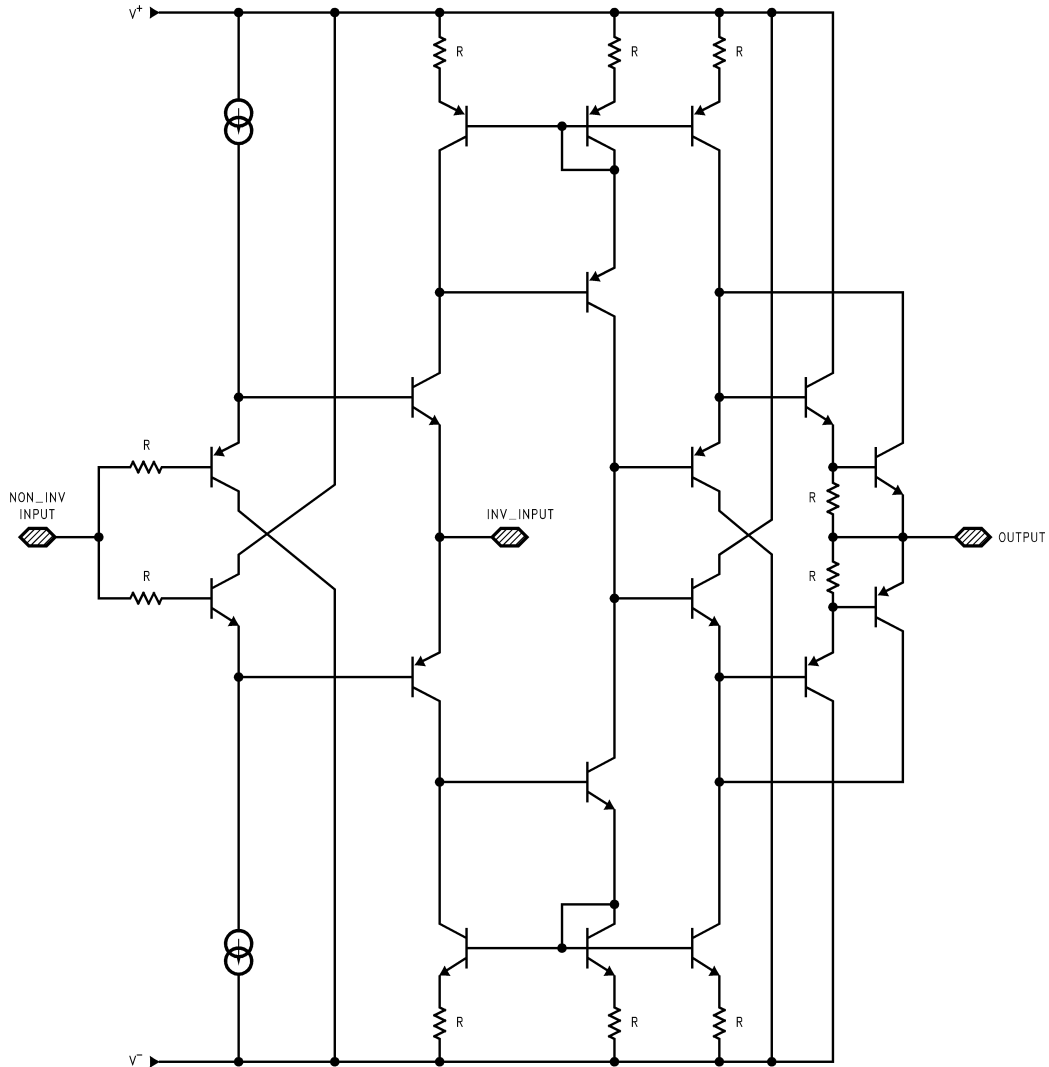
Note 8: Measured from +25% to +75% of output waveform.

Note 9: Also available per the Standard Military Drawing, 5962-9460301MCA.

Note 10: For guaranteed military specifications see military datasheet MNL6182AM-X.

±5V AC Electrical Characteristics (Continued)

Simplified Schematic 1/2 LM6182

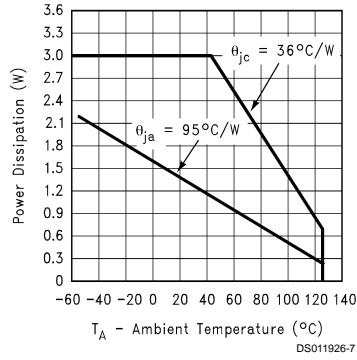


DS011926-6

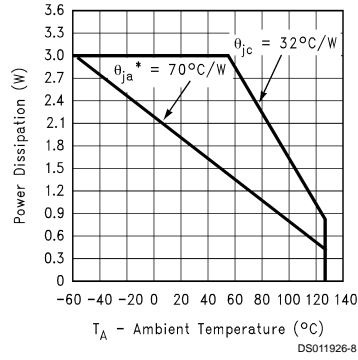
Typical Performance Characteristics

MAXIMUM POWER DERATING CURVES

N-Package



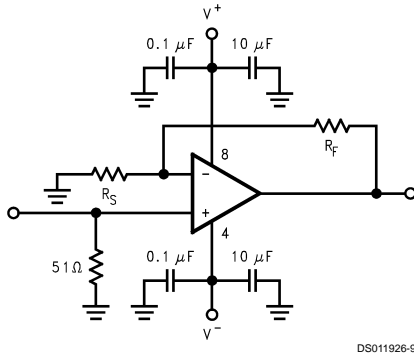
M-Package



* θ_{ja} = Thermal Resistance with 2 square inches of 1 ounce copper tied to pins 1, 8, 9 and 16

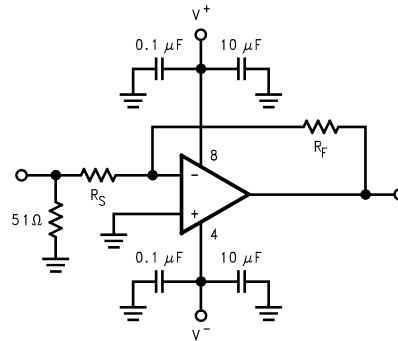
TYPICAL PERFORMANCE TEST CIRCUITS

Non-Inverting:
Small Signal Pulse Response,
Slew Rate, -3 dB Bandwidth



DS011926-9

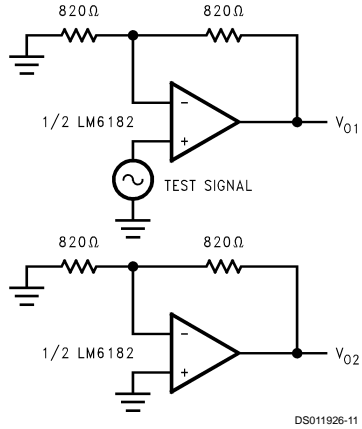
Inverting:
Small Signal Pulse Response,
Slew Rate, -3 dB Bandwidth



DS011926-10

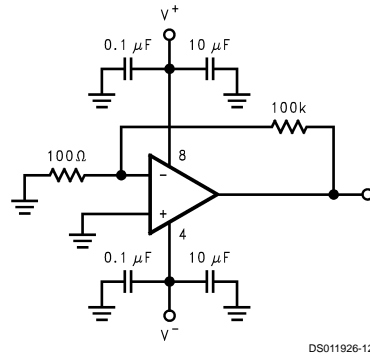
TYPICAL PERFORMANCE TEST CIRCUITS (Continued)

Amplifier-to-Amplifier Isolation



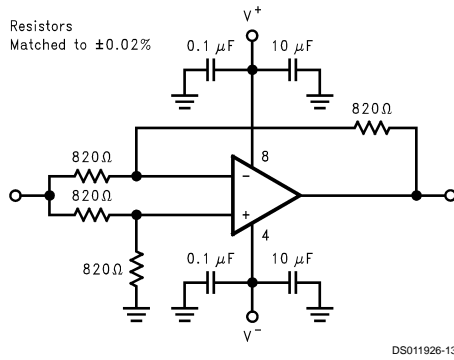
$$X_T (\text{Crosstalk Rejection}) = \frac{V_{01}}{V_{02}}$$

Input Voltage Noise

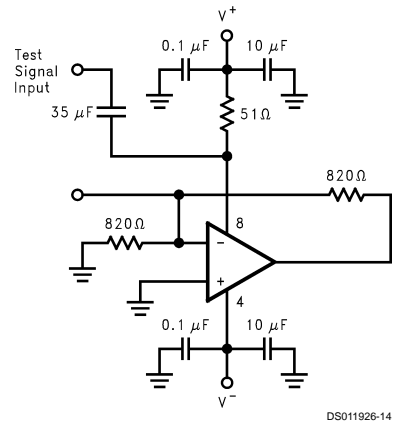


CMRR

Resistors
Matched to $\pm 0.02\%$

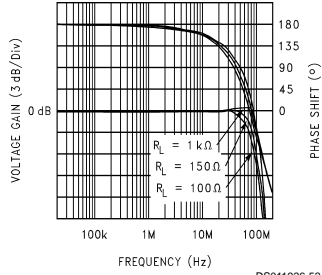


PSRR (V_{S+})



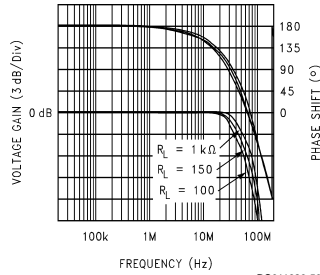
Typical Performance Characteristics $V_S = \pm 15V$ and $T_A = 25^\circ C$ unless otherwise noted.

Inverting Gain Frequency Response
 $V_S = \pm 15V, A_V = -1, R_f = 820\Omega$



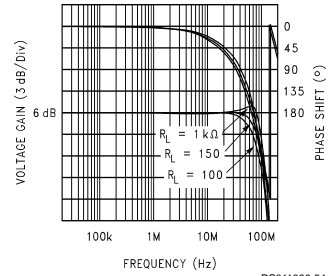
DS011926-52

Inverting Gain Frequency Response
 $V_S = \pm 5V, A_V = -1, R_f = 820\Omega$



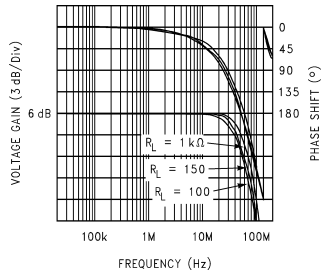
DS011926-53

Non-Inverting Gain Frequency Response
 $V_S = \pm 15V, A_V = +2, R_f = 820\Omega$



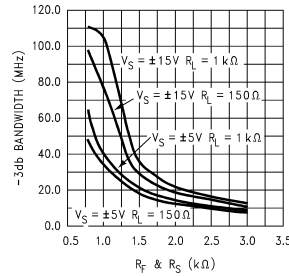
DS011926-54

Non-Inverting Gain Frequency Response
 $V_S = \pm 5V, A_V = +2, R_f = 820\Omega$



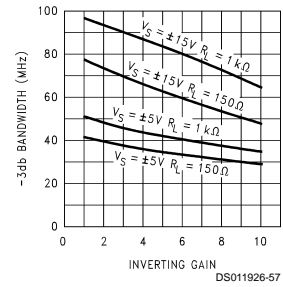
DS011926-55

-3 dB Bandwidth vs R_f and $R_S, A_V = +2$



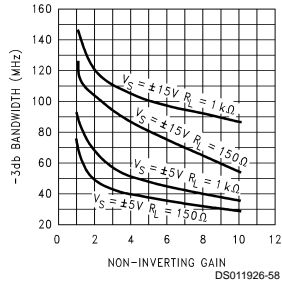
DS011926-56

Inverting Gain vs -3 dB Bandwidth
 $R_f = 820\Omega$



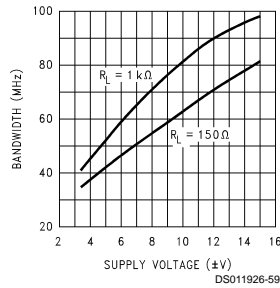
DS011926-57

Non-Inverting Gain vs -3 dB Bandwidth
 $R_f = 820\Omega$



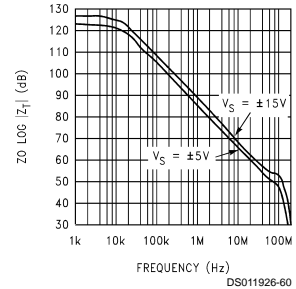
DS011926-58

-3 dB Bandwidth vs Supply Voltage
 $A_V = -1$



DS011926-59

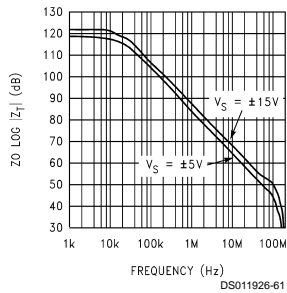
Transimpedance vs Frequency
 $R_L = 1 k\Omega$



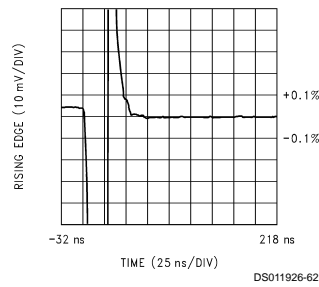
DS011926-60

Typical Performance Characteristics $V_S = \pm 15V$ and $T_A = 25^\circ C$ unless otherwise noted. (Continued)

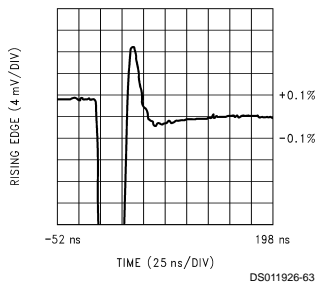
Transimpedance vs Frequency
 $R_L = 150\Omega$



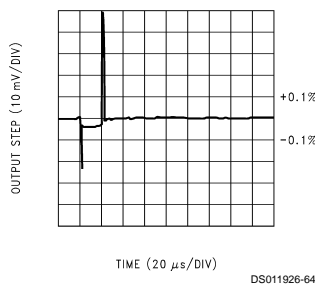
Settling Response
 $V_S = \pm 15V, R_L = 150\Omega$
 $A_V = -1, V_O = \pm 5V$



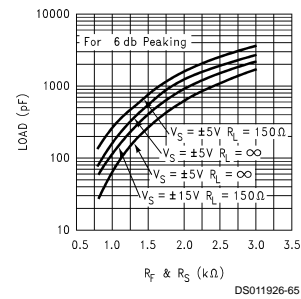
Settling Response
 $V_S = \pm 5V, R_L = 150\Omega$
 $A_V = -1, V_O = \pm 2V$



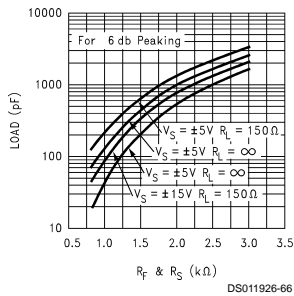
Long Term Settling Time
Response $V_S = \pm 15V,$
 $R_L = 150\Omega, A_V = -1, V_O = \pm 5V$



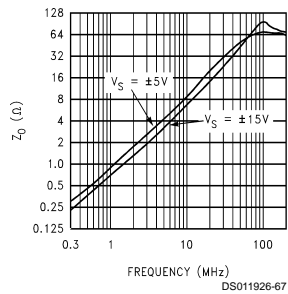
Suggested R_f and R_s for $C_L, A_V = -1$



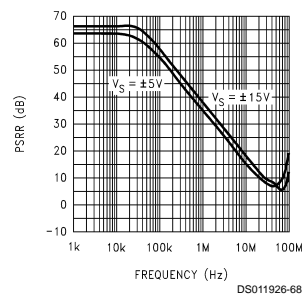
Suggested R_f and R_s for $C_L, A_V = +2$



Output Impedance vs Frequency
 $A_V = -1, R_L = 820\Omega$

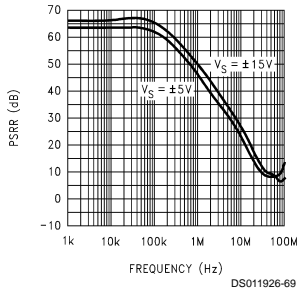


**PSRR (V_{S+}) vs Frequency, $A_V = 2,$
 $R_f = R_s = 820\Omega$**

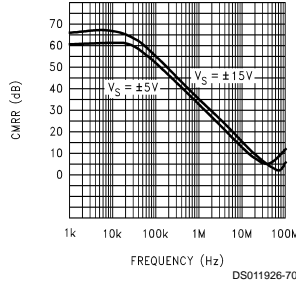


Typical Performance Characteristics $V_S = \pm 15V$ and $T_A = 25^\circ C$ unless otherwise noted. (Continued)

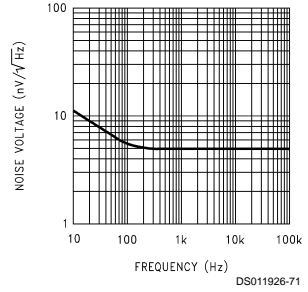
PSRR (V_S) vs Frequency, $A_V = 2$, $R_f = R_s = 820\Omega$



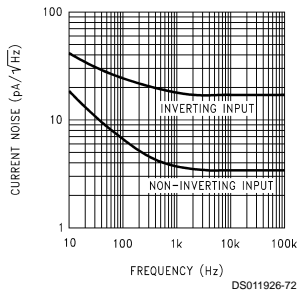
CMRR vs Frequency
 $R_f = R_s = 820\Omega$



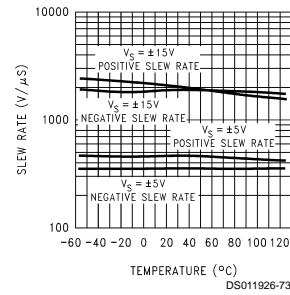
Input Voltage Noise vs Frequency



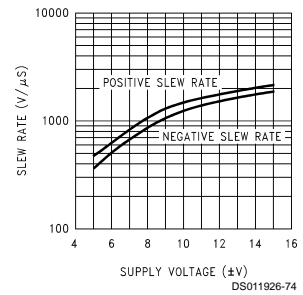
Input Current Noise vs Frequency



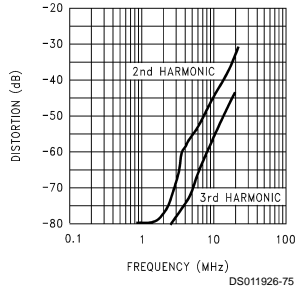
Slew Rate vs Temperature
 $A_V = -1, R_L = 150\Omega$



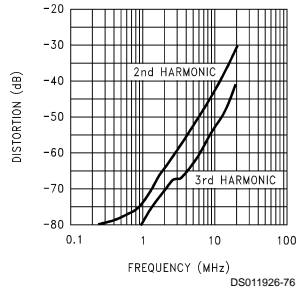
Slew Rate vs Supply Voltage
 $A_V = -1, R_L = 150\Omega$



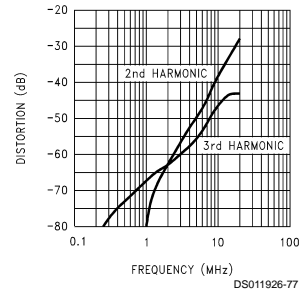
Distortion vs Frequency
 $V_S = \pm 15V, A_V = +2, R_L = 150\Omega, V_O = 2Vp-p$



Distortion vs Frequency
 $V_S = \pm 15V, A_V = -1, R_L = 150\Omega, V_O = 2Vp-p$

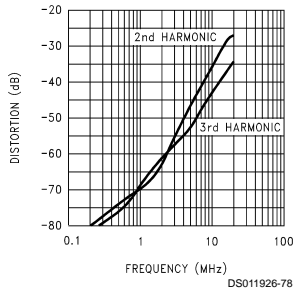


Distortion vs Frequency
 $V_S = \pm 5V, A_V = +2, R_L = 150\Omega, V_O = 2Vp-p$

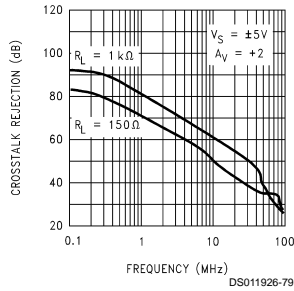


Typical Performance Characteristics $V_S = \pm 15V$ and $T_A = 25^\circ C$ unless otherwise noted. (Continued)

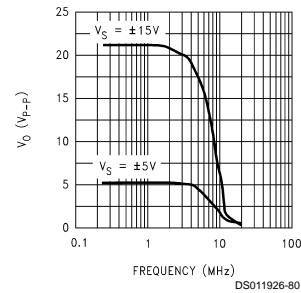
Distortion vs Frequency
 $V_S = \pm 5V, A_V = -1,$
 $R_L = 150\Omega, V_O = 2V_{p-p}$



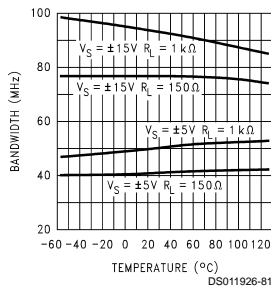
Crosstalk Rejection vs Frequency



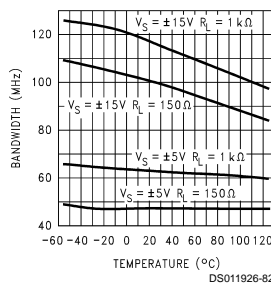
Maximum Output Voltage Swing vs Frequency
 (THD $\leq 1\%$)



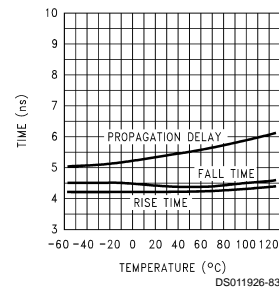
-3 dB Bandwidth vs Temperature, $A_V = -1$



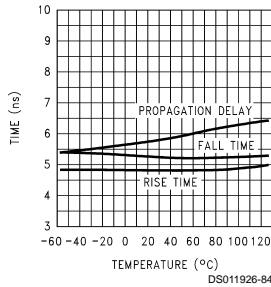
-3 dB Bandwidth vs Temperature, $A_V = +2$



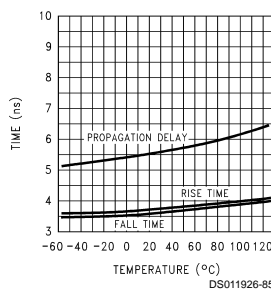
Small Signal Pulse Response vs Temperature, $A_V = -1,$
 $V_S = \pm 15V, R_L = 1k\Omega$



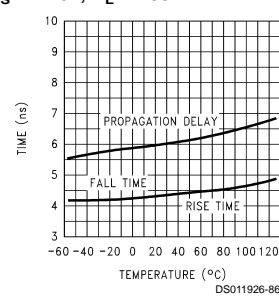
Small Signal Pulse Response vs Temperature, $A_V = -1,$
 $V_S = \pm 15V, R_L = 150\Omega$



Small Signal Pulse Response vs Temperature, $A_V = +2,$
 $V_S = \pm 15V, R_L = 1k\Omega$

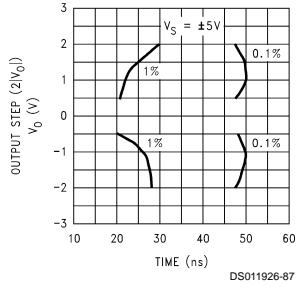


Small Signal Pulse Response vs Temperature, $A_V = +2,$
 $V_S = \pm 15V, R_L = 150\Omega$

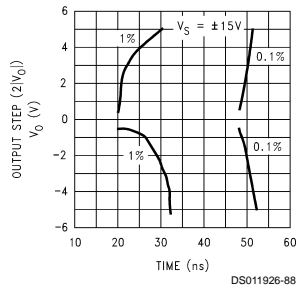


Typical Performance Characteristics $V_S = \pm 15V$ and $T_A = 25^\circ C$ unless otherwise noted. (Continued)

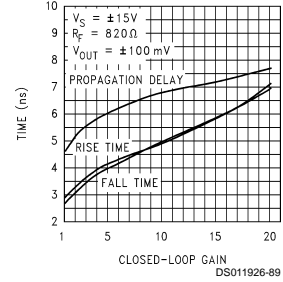
Settling Time vs Output Step, $R_F = 820\Omega$
 $R_L = 150\Omega$, $A_V = -1$



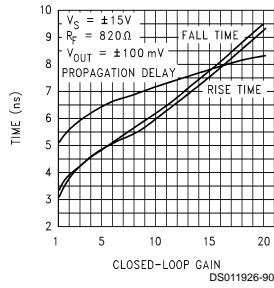
Settling Time vs Output Step, $R_F = 820\Omega$
 $R_L = 150\Omega$, $A_V = -1$



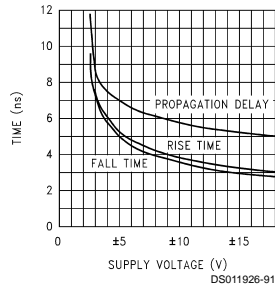
Small Signal Pulse Response vs Closed-Loop Gain
 $R_L = 1k$



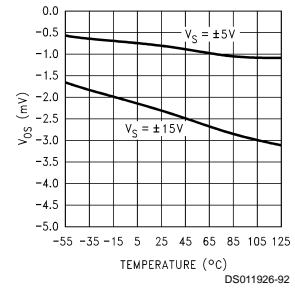
Small Signal Pulse Response vs Closed-Loop Gain
 $R_L = 150\Omega$



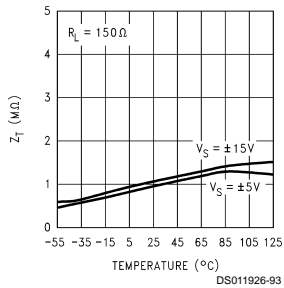
Small Signal Pulse Response vs Supply Voltage
 $A_V = +2$, $R_L = 1k$



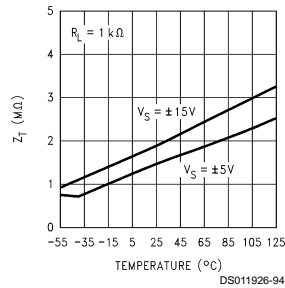
V_{OS} vs Temperature



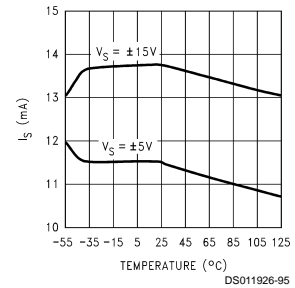
Z_T vs Temperature



Z_T vs Temperature

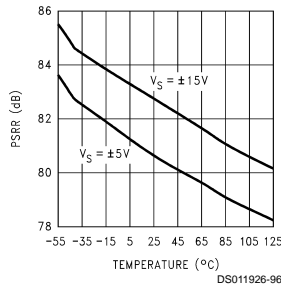


I_S vs Temperature

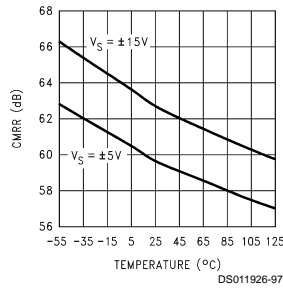


Typical Performance Characteristics $V_S = \pm 15V$ and $T_A = 25^\circ C$ unless otherwise noted. (Continued)

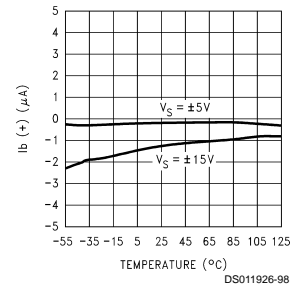
PSRR vs Temperature



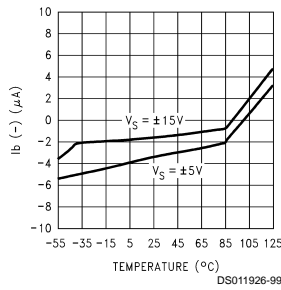
CMRR vs Temperature



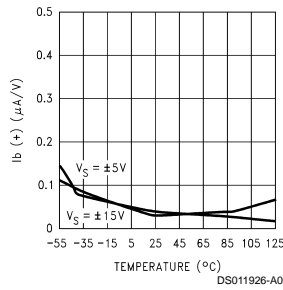
I_b (+) vs Temperature



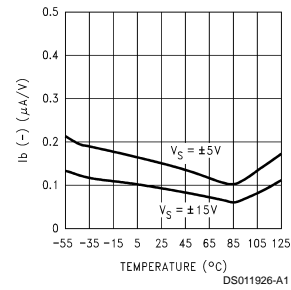
I_b (-) vs Temperature



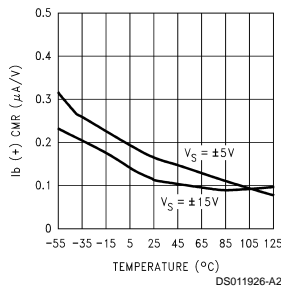
I_b (+) PSR vs Temperature



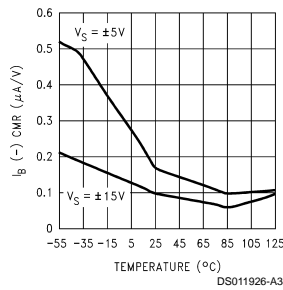
I_b (-) PSR vs Temperature



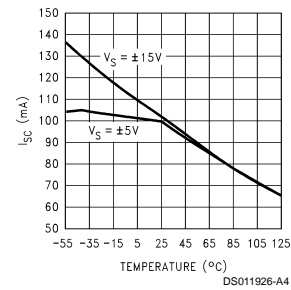
I_b (+) CMR vs Temperature



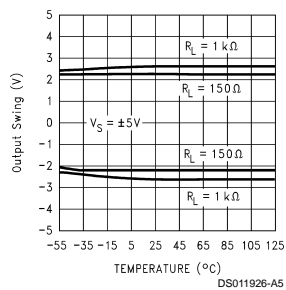
I_b (-) CMR vs Temperature



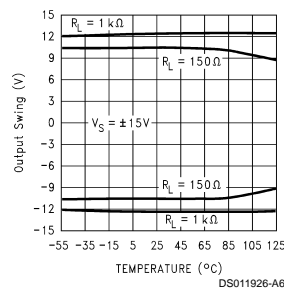
I_{sc}(±) vs Temperature



Output Swing vs Temperature



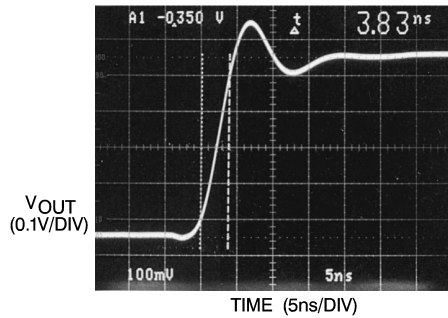
Output Swing vs Temperature



Typical Applications

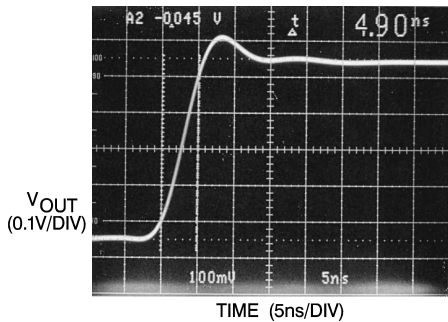
CURRENT FEEDBACK TOPOLOGY

For a conventional voltage feedback amplifier the resulting small-signal bandwidth is inversely proportional to the desired gain to a first order approximation based on the gain-bandwidth concept. In contrast, the current feedback amplifier topology, such as the LM6182, transcends this limitation to offer a signal bandwidth that is relatively independent of the closed loop gain. *Figure 1A* and *Figure 1B* illustrate that for closed loop gains of -1 and -5 the resulting pulse fidelity suggests quite similar bandwidths for both configurations.



DS011926-20

1A. $A_V = -1$



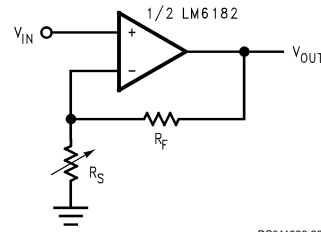
DS011926-21

1B. $A_V = -5$

FIGURE 1. Variation of Closed-Loop Gain from -1 to -5 Yields Similar Responses.

FEEDBACK RESISTOR SELECTION: R_f

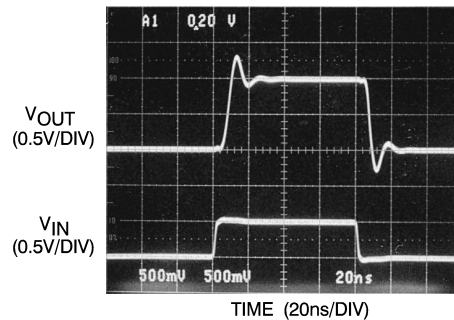
Selecting the feedback resistor, R_f , is a dominant factor in compensating the LM6182. For general applications the LM6182 will maintain specified performance with an 820Ω feedback resistor. The closed-loop bandwidth of the LM6182 depends on the feedback resistance, R_f . Therefore, R_s , and not R_f , is varied to adjust for the desired closed-loop gain as demonstrated in *Figure 2*.



DS011926-22

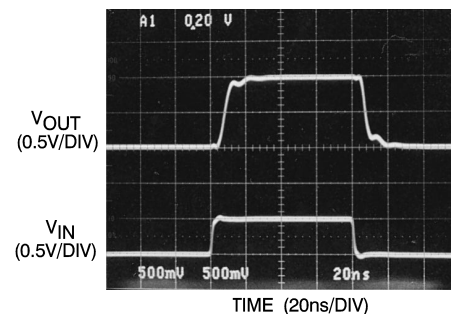
FIGURE 2. R_f Sets Amplifier Bandwidth and R_s is Adjusted to Obtain the Desired Closed-Loop Gain, A_V .

Although this R_f value will provide good results for most applications, it may be advantageous to adjust this value slightly. Consider, for instance, the effect on pulse responses with two different configurations where both the closed-loop gains are $+2$ and the feedback resistors are 820Ω , and 1640Ω , respectively. *Figure 3A* and *Figure 3B* illustrate the effect of increasing R_f while maintaining the same closed-loop gain – the amplifier bandwidth decreases. Accordingly, larger feedback resistors can be used to slow down the LM6182 and reduce overshoot in the time domain response. Conversely, smaller feedback resistance values than 820Ω can be used to compensate for the reduction of bandwidth at high closed-loop gains, due to 2nd order effects. For example *Figure 4A* and *Figure 4B* illustrate reducing R_f to 500Ω to establish the desired small signal response in an amplifier configured for a closed-loop gain of $+25$.



DS011926-23

3A. $R_f = 820\Omega$

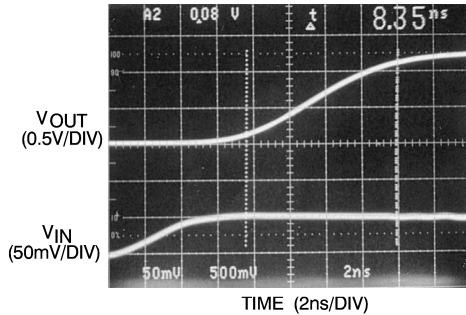


DS011926-24

3B. $R_f = 1640\Omega$

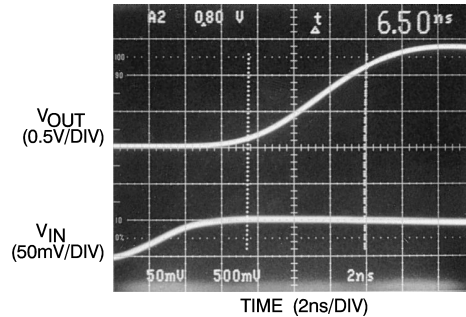
FIGURE 3. Increase Compensation by Increasing R_f , $A_V = +2$

Typical Applications (Continued)



DS011926-25

4A. $R_f = 820\Omega$

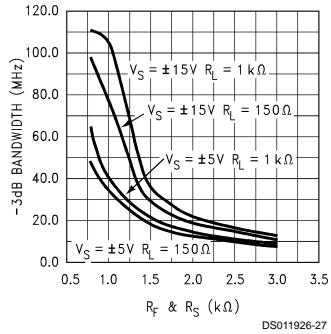


DS011926-26

4B. $R_f = 500\Omega$

FIGURE 4. 4B. Reducing R_f to Increase Bandwidth for Large Closed-Loop Gains, $A_v = +25$

The extent of the amplifier's dependence on R_f is displayed in Figure 5 for one particular closed-loop gain.



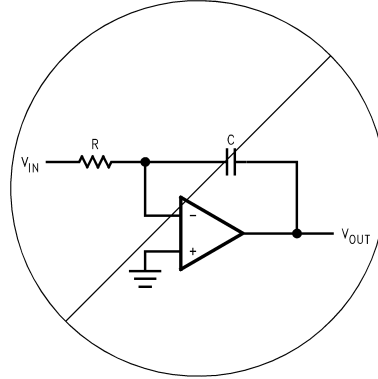
DS011926-27

FIGURE 5. -3 dB Bandwidth Is Determined By Selecting R_f .

CAPACITIVE FEEDBACK

Current feedback amplifiers rely on feedback impedance for proper compensation. Even in unity gain current feedback amplifiers require a feedback resistor. LM6182 performance is specified for a feedback resistance of 820Ω . Decreasing the feedback impedance below 820Ω extends the amplifier's

bandwidth leading to possible instability. Capacitive feedback should therefore not be used because the impedance of a capacitor decreases with increasing frequency.



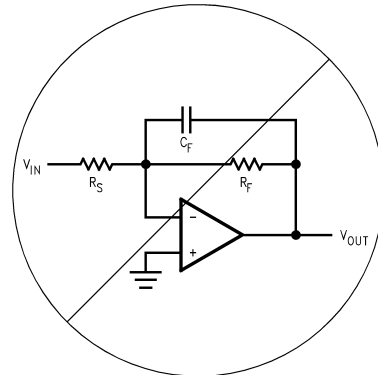
DS011926-28

FIGURE 6. Current Feedback Amplifiers are Unstable with Capacitive Feedback

For voltage feedback amplifiers it is quite common to place a small lead compensation capacitor in parallel with feedback resistance, R_f . This compensation serves to reduce the amplifier's peaking. One application of the lead compensation capacitor is to counteract the effects of stray capacitance from the inverting input to ground in circuit board layouts. The LM6182 current feedback amplifier does not require this lead compensation capacitor and has an even simpler, more elegant solution.

To limit the bandwidth and peaking of the LM6182 current feedback amplifier, do not use a capacitor across R_f as in Figure 7. This actually has the opposite effect and extends the bandwidth of the amplifier leading to possible instability. Instead, simply increase the value of the feedback resistor as shown in Figure 3.

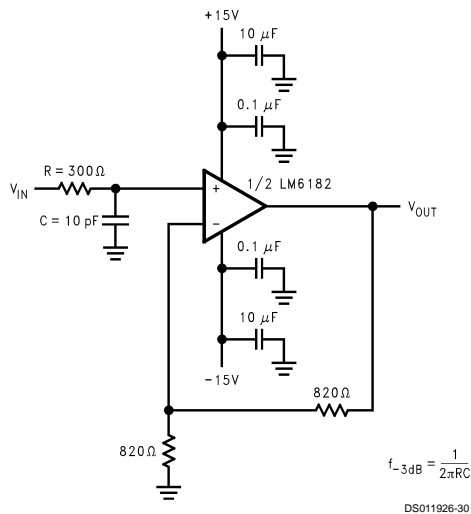
Non-inverting applications can also reduce peaking and limit bandwidth by adding an RC circuit as illustrated in Figure 8.



DS011926-29

FIGURE 7. Compensation Capacitors Are Not Used with the LM6182, Instead Simply Increase R_f to Compensate

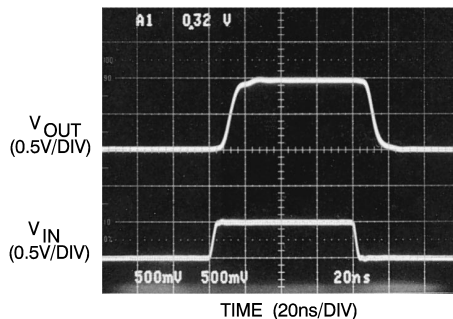
Typical Applications (Continued)



$$f_{-3dB} = \frac{1}{2\pi RC}$$

DS011926-30

8A



DS011926-31

8B

FIGURE 8. RC Limits Amplifier Bandwidth to 50 MHz, Eliminating Peaking in the Resulting Pulse Response as Compared to Figure 3A

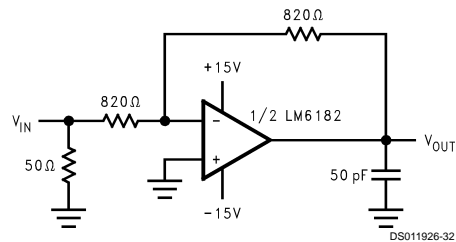
SLEW RATE CONSIDERATIONS

The slew rate characteristics of current feedback amplifiers are different than traditional voltage feedback amplifiers. In voltage feedback amplifiers, slew rate limiting or non-linear amplifier behavior is dominated by the finite availability of the 1st stage tail current charging the compensation capacitor. The slew rate of current feedback amplifiers, in contrast, is not constant. Transient current at the inverting input is proportional to the current available to the amplifier's compensation capacitor. The current feedback amplifier is therefore not traditionally slew rate limited. This enables large slew rate responses of 2000 V/ μ s. The non-inverting configuration slew rate is also determined by input stage limitations. Accordingly, variations of slew rates occur for different circuit topologies.

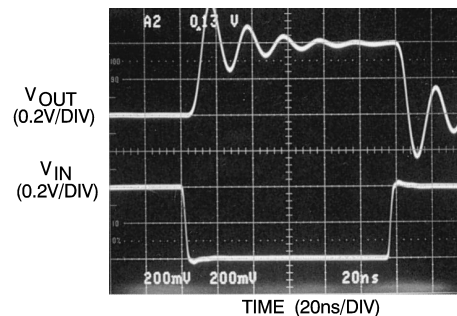
DRIVING CAPACITIVE LOADS

The LM6182 can drive significantly larger capacitive loads than many current feedback amplifiers. This is extremely valuable for simplifying the design of coax-cable drivers. Although the LM6182 can directly drive as much as 100 pF of load capacitance without oscillating, the resulting response will be a function of the feedback resistor value. Figure 9B illustrates the small-signal pulse response of the LM6182 while driving a 50 pF load. Ringing persists for approximately 100 ns. To achieve pulse responses with less ringing either the feedback resistor can be increased (see Typical Performance Characteristics "Suggested R_f and R_s for C_L "), or resistive isolation can be used (10 Ω –51 Ω typically works well). Either technique, however, results in lowering the system bandwidth.

Figure 10B illustrates the improvement obtained by using a 47 Ω isolation resistor.



9A

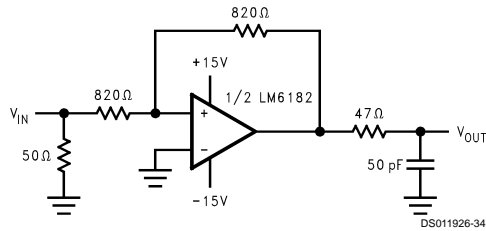


DS011926-33

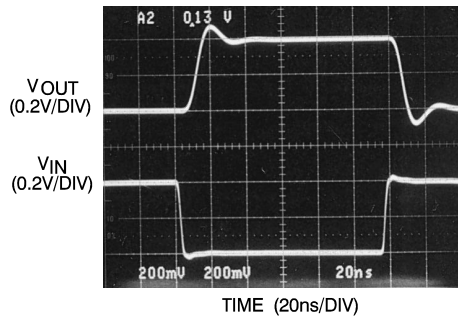
9B

FIGURE 9. $A_v = -1$, LM6182 Can Directly Drive 50 pF of Load Capacitance with 100 ns of Ringing Resulting in Pulse Response

Typical Applications (Continued)



10A



10B

FIGURE 10. Resistive Isolation of C_L Provides Higher Fidelity Pulse Response. R_f and R_s Could Also Be Increased to Maintain $A_v = -1$ and Improve Pulse Response Characteristics.

POWER SUPPLY BYPASSING AND LAYOUT CONSIDERATIONS

A fundamental requirement for high-speed amplifier design is adequate bypassing of the power supply. It is critical to maintain a wideband low-impedance to ground at the amplifiers supply pins to insure the fidelity of high speed amplifier transient signals. 0.1 μF ceramic bypass capacitors at each supply pin are sufficient for many applications. Typically 10 μF tantalum capacitors are also required if large current transients are delivered to the load. The bypass capacitors should be placed as close to the amplifier pins as possible, such as 0.5" or less.

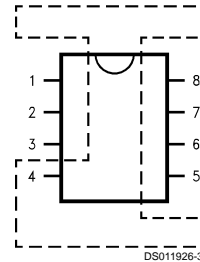
Applications requiring high output power, cable drivers for example, cause increased internal power dissipation. Internal power dissipation can be minimized by operating at reduced power supply voltages, such as $\pm 5\text{V}$.

Optimum heat dissipation is achieved by using wide circuit board traces and soldering the part directly onto the board. Large power supply and ground planes will improve power dissipation. Safe Operating Area (S.O.A.) is determined using the Maximum Power Derating Curves.

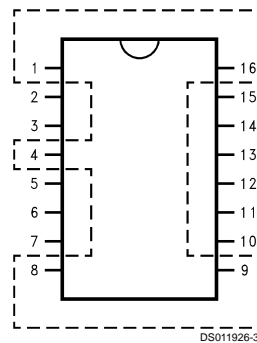
The 16-pin small outline package (M) has 5 V^- heat sinking pins that enable a junction-to-ambient thermal resistance of 70°C/W when soldered to 2 in² 1 oz. copper trace. A V^- heat sinking pin is located on each corner of the package for ease of layout. This allows high output power and/or operation at elevated ambient temperatures without the additional cost of an integrated circuit heat sink. If the heat sinking capabilities

of the S.O. package are not needed, pin 4 and at least one of pins 1,8,9, or 16 must be connected to V^- for proper operation.

Figure 11 shows recommended copper patterns used to dissipate heat from the LM6182.



8-pin DIP (N)



16-pin S.O. (M)

FIGURE 11. Copper Heatsink Layouts

CROSTALK REJECTION

The LM6182 has an excellent crosstalk rejection value of 62 dB at 10 MHz. This value is made possible because the LM6182 amplifiers share no common circuitry other than the supply. High frequency crosstalk that does appear is primarily caused by the magnetic and capacitive coupling of the internal bond wires. Bond wires connect the die to the package lead frame. The amount of current flowing through the bond wires is proportional to the amount of crosstalk. Therefore, crosstalk rejection ratings will degrade when driving heavy loads. Figure 12 and shows a 10 dB difference for two different loads.

Typical Applications (Continued)

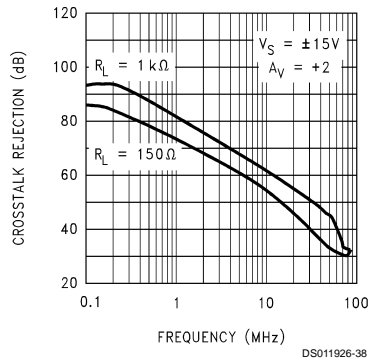


FIGURE 12. Crosstalk Rejection

The LM6182 crosstalk effect is minimized in applications that cascade the amplifiers by preceding amplifier A with amplifier B.

START-UP TIME

Using the circuit in *Figure 13*, the LM6182 demonstrated a start-up time of 50 ns.

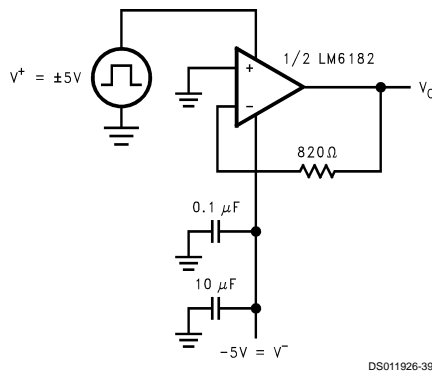


FIGURE 13. Start-Up Test Circuit

OVERDRIVE RECOVERY

The LM6182 is an excellent choice for high speed applications needing fast overdrive recovery. Nanosecond recovery times allow the LM6182 to protect subsequent stages from excessive input saturation and possible damage.

When the output or input voltage range of a high speed amplifier is exceeded, the amplifier must recover from an overdrive condition. The non-linear output voltage remains as long as the overdrive condition persists. Linear operation resumes after the overdrive condition is removed. Overdrive recovery time is the delay before an amplifier returns to linear operation. The typical recovery times for exceeding open loop, closed loop, and input common-mode voltage ranges are illustrated in *Figures 14, 15, 16*.

The open-loop circuit of *Figure 14* generates an overdrive response by allowing the $\pm 0.5V$ input to exceed the linear input range of the amplifier. Typical positive and negative overdrive recovery times are 5 ns and 30 ns, respectively.

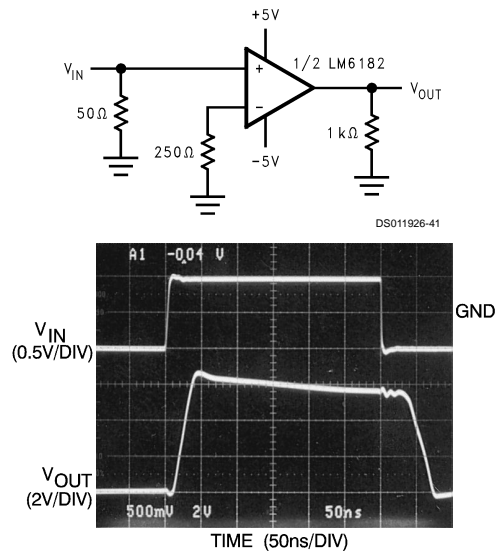


FIGURE 14. Open Loop Overdrive Recovery Times of 5 ns and 30 ns

The large closed-loop gain configuration in *Figure 15* forces the amplifier output into overdrive. The typical recovery time to a linear output value is 15 ns.

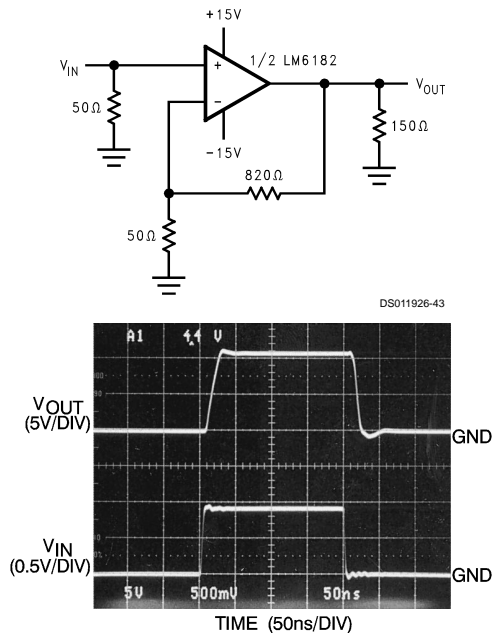


FIGURE 15. 15 ns Closed Loop Output Overdrive Recovery Time Generated by Saturating the Output Stage of the LM6182

Typical Applications (Continued)

The common-mode input range of a unity-gain circuit is exceeded by a 4V pulse resulting in a typical recovery time of 20 ns shown in *Figure 16*.

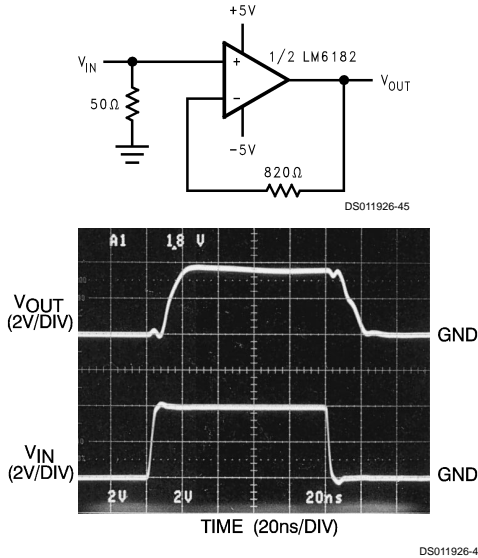


FIGURE 16. Output Recovery from an Input that Exceeds the Common-Mode Range

SPICE MACROMODEL

A spice macromodel is available for the LM6182. Contact your local National Semiconductor sales office to obtain an operational amplifier spice model library disk.

Typical Application Circuits

UNITY GAIN AMPLIFIER

The LM6182 current feedback amplifier is unity gain stable. The feedback resistor, R_f , is required to maintain the LM6182's dynamic performance.

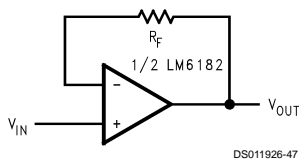


FIGURE 17. LM6182 Is Unity Gain Stable

NON-INVERTING GAIN AMPLIFIER

Current feedback amplifiers can be used in non-inverting gain and level shifting functions. The same basic closed-loop gain equation used for voltage feedback amplifiers applies to current feedback amplifiers: $1 + R_f/R_s$.

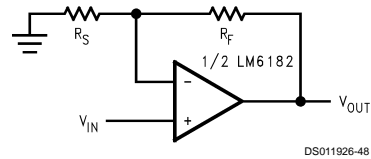


FIGURE 18. Non-Inverting Closed Loop Gain is Determined with the Same Equation Voltage Feedback Amplifiers Use: $1 + R_f/R_s$

INVERTING GAIN AMPLIFIER

The inverting closed loop gain equation used with voltage feedback amplifiers also applies to current feedback amplifiers.

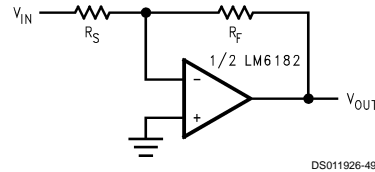


FIGURE 19. Current Feedback Amplifiers Can Be Used for Inverting Gains, Just Like a Voltage Feedback Amplifier: $-R_f/R_s$

SUMMING AMPLIFIER

The current feedback topology of the LM6182 provides significant performance advantages over a conventional voltage feedback amplifier used in a standard summing circuit. Using a voltage feedback amplifier, the bandwidth of the summing circuit in *Figure 20* is limited by the highest gain needed for either signal V_1 or V_2 . If the LM6182 amplifier is used instead, wide circuit bandwidth can be maintained relatively independent of gain requirements.

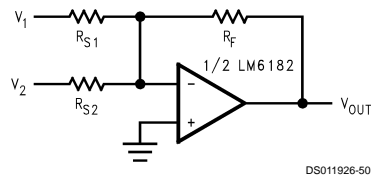


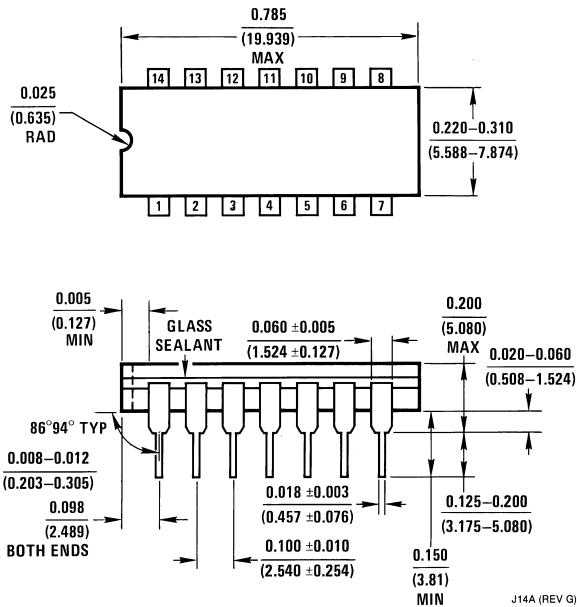
FIGURE 20. LM6182 Allows the Summing Circuit to Meet the Requirements of Wide Bandwidth Systems Independent of Signal Gain

Ordering Information

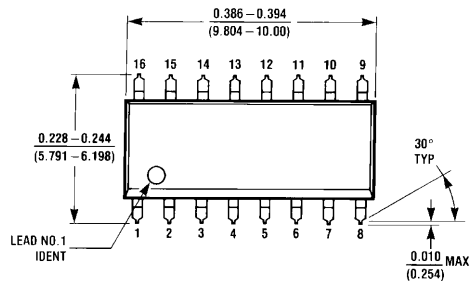
Package	Temperature Range		NSC Drawing
	Military -55°C to +125°C	Industrial -40°C to +85°C	
8-pin Molded DIP	LM6182AMN	LM6182AIN LM6182IN	N08E
16-pin Small Outline		LM6182AIM LM6182IM	M16A

If Military/Aerospace specified devices are required, contact the National Semiconductor Sales Office or Distributors for availability and specifications.

Physical Dimensions inches (millimeters) unless otherwise noted

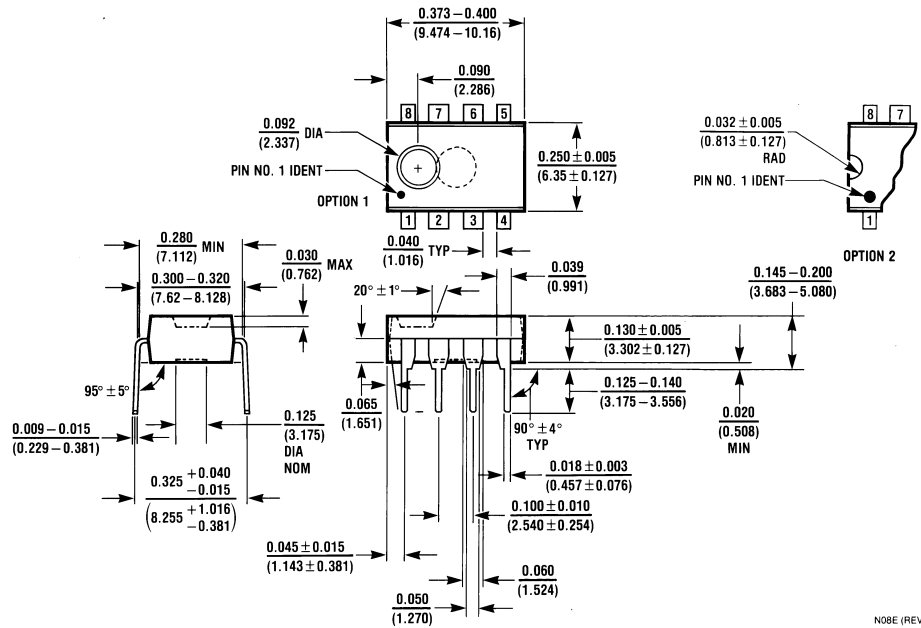


14-Lead Dual-In-Line Package (J)
Order Number LM6182AM/J883
NS Package Number J14A



Small Outline Package (M)
Order Number LM6182IM or LM6182AIM
NS Package Number M16A

Physical Dimensions inches (millimeters) unless otherwise noted (Continued)



Dual-In-Line Package (N)
Order Number LM6182IN, LM6182AIN, or LM6182AMN
NS Package Number N08E

LIFE SUPPORT POLICY

NATIONAL'S PRODUCTS ARE NOT AUTHORIZED FOR USE AS CRITICAL COMPONENTS IN LIFE SUPPORT DEVICES OR SYSTEMS WITHOUT THE EXPRESS WRITTEN APPROVAL OF THE PRESIDENT OF NATIONAL SEMICONDUCTOR CORPORATION. As used herein:

1. Life support devices or systems are devices or systems which, (a) are intended for surgical implant into the body, or (b) support or sustain life, and whose failure to perform when properly used in accordance with instructions for use provided in the labeling, can be reasonably expected to result in a significant injury to the user.
2. A critical component is any component of a life support device or system whose failure to perform can be reasonably expected to cause the failure of the life support device or system, or to affect its safety or effectiveness.

National Semiconductor Corporation
 Americas
 Tel: 1-800-272-9959
 Fax: 1-800-737-7018
 Email: support@nsc.com

National Semiconductor Europe
 Fax: +49 (0) 1 80-530 85 86
 Email: europe.support@nsc.com
 Deutsch Tel: +49 (0) 1 80-530 85 85
 English Tel: +49 (0) 1 80-532 78 32
 Français Tel: +49 (0) 1 80-532 93 58
 Italiano Tel: +49 (0) 1 80-534 16 80

National Semiconductor Asia Pacific Customer Response Group
 Tel: 65-2544466
 Fax: 65-2504466
 Email: sea.support@nsc.com

National Semiconductor Japan Ltd.
 Tel: 81-3-5639-7560
 Fax: 81-3-5639-7507

www.national.com

IMPORTANT NOTICE

Texas Instruments Incorporated and its subsidiaries (TI) reserve the right to make corrections, modifications, enhancements, improvements, and other changes to its products and services at any time and to discontinue any product or service without notice. Customers should obtain the latest relevant information before placing orders and should verify that such information is current and complete. All products are sold subject to TI's terms and conditions of sale supplied at the time of order acknowledgment.

TI warrants performance of its hardware products to the specifications applicable at the time of sale in accordance with TI's standard warranty. Testing and other quality control techniques are used to the extent TI deems necessary to support this warranty. Except where mandated by government requirements, testing of all parameters of each product is not necessarily performed.

TI assumes no liability for applications assistance or customer product design. Customers are responsible for their products and applications using TI components. To minimize the risks associated with customer products and applications, customers should provide adequate design and operating safeguards.

TI does not warrant or represent that any license, either express or implied, is granted under any TI patent right, copyright, mask work right, or other TI intellectual property right relating to any combination, machine, or process in which TI products or services are used. Information published by TI regarding third-party products or services does not constitute a license from TI to use such products or services or a warranty or endorsement thereof. Use of such information may require a license from a third party under the patents or other intellectual property of the third party, or a license from TI under the patents or other intellectual property of TI.

Reproduction of TI information in TI data books or data sheets is permissible only if reproduction is without alteration and is accompanied by all associated warranties, conditions, limitations, and notices. Reproduction of this information with alteration is an unfair and deceptive business practice. TI is not responsible or liable for such altered documentation. Information of third parties may be subject to additional restrictions.

Resale of TI products or services with statements different from or beyond the parameters stated by TI for that product or service voids all express and any implied warranties for the associated TI product or service and is an unfair and deceptive business practice. TI is not responsible or liable for any such statements.

TI products are not authorized for use in safety-critical applications (such as life support) where a failure of the TI product would reasonably be expected to cause severe personal injury or death, unless officers of the parties have executed an agreement specifically governing such use. Buyers represent that they have all necessary expertise in the safety and regulatory ramifications of their applications, and acknowledge and agree that they are solely responsible for all legal, regulatory and safety-related requirements concerning their products and any use of TI products in such safety-critical applications, notwithstanding any applications-related information or support that may be provided by TI. Further, Buyers must fully indemnify TI and its representatives against any damages arising out of the use of TI products in such safety-critical applications.

TI products are neither designed nor intended for use in military/aerospace applications or environments unless the TI products are specifically designated by TI as military-grade or "enhanced plastic." Only products designated by TI as military-grade meet military specifications. Buyers acknowledge and agree that any such use of TI products which TI has not designated as military-grade is solely at the Buyer's risk, and that they are solely responsible for compliance with all legal and regulatory requirements in connection with such use.

TI products are neither designed nor intended for use in automotive applications or environments unless the specific TI products are designated by TI as compliant with ISO/TS 16949 requirements. Buyers acknowledge and agree that, if they use any non-designated products in automotive applications, TI will not be responsible for any failure to meet such requirements.

Following are URLs where you can obtain information on other Texas Instruments products and application solutions:

Products

Audio	www.ti.com/audio
Amplifiers	amplifier.ti.com
Data Converters	dataconverter.ti.com
DLP® Products	www.dlp.com
DSP	dsp.ti.com
Clocks and Timers	www.ti.com/clocks
Interface	interface.ti.com
Logic	logic.ti.com
Power Mgmt	power.ti.com
Microcontrollers	microcontroller.ti.com
RFID	www.ti-rfid.com
OMAP Mobile Processors	www.ti.com/omap
Wireless Connectivity	www.ti.com/wirelessconnectivity

Applications

Communications and Telecom	www.ti.com/communications
Computers and Peripherals	www.ti.com/computers
Consumer Electronics	www.ti.com/consumer-apps
Energy and Lighting	www.ti.com/energy
Industrial	www.ti.com/industrial
Medical	www.ti.com/medical
Security	www.ti.com/security
Space, Avionics and Defense	www.ti.com/space-avionics-defense
Transportation and Automotive	www.ti.com/automotive
Video and Imaging	www.ti.com/video

TI E2E Community Home Page

e2e.ti.com

Mailing Address: Texas Instruments, Post Office Box 655303, Dallas, Texas 75265
Copyright © 2011, Texas Instruments Incorporated