

# CLC423

*CLC423 Single Supply, Wideband Voltage Feedback Op Amp*



Literature Number: SNOS819

# Comlinear CLC423 94MHz, Single Supply Voltage Feedback Op Amp

## General Description

The Comlinear CLC423 is a wideband voltage-feedback operational amplifier that is uniquely designed to provide high performance from a single power supply. The CLC423 provides near rail-to-rail operation and the common-mode input range includes the negative rail. The CLC423 offers plenty of headroom for single-supply applications as evidenced by its 4.3V<sub>pp</sub> output voltage from a single 5V supply.

Fabricated with a high-speed complementary bipolar process, the CLC423 delivers a wide 94MHz unity-gain bandwidth, 7.5ns rise/fall time and 150V/μs slew rate. For single supply applications such as video distribution or desktop multimedia, the CLC423 offers low 0.35%, 0.55° differential gain and phase errors.

The CLC423 provides high signal fidelity with -74/-94dBc 2nd/3rd harmonics (1V<sub>pp</sub>, 1MHz, R<sub>L</sub>=150Ω). Combining this high fidelity performance with CLC423's quick 46ns settling time to 0.1% makes it an excellent choice for ADC buffering.

With its traditional voltage-feedback architecture and high-speed performance, the CLC423 is the perfect choice for composite signal conditioning circuit functions such as active filters, integrators, differentiators, simple gain blocks and buffering.

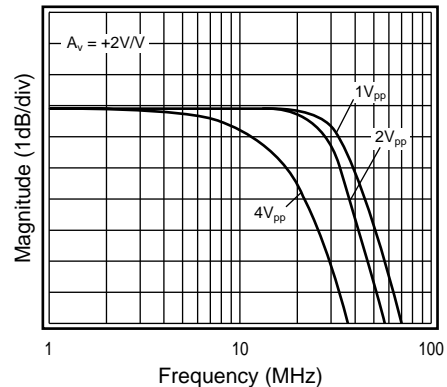
## Features

- Single +5V supply
- Input includes V<sub>EE</sub>
- 94MHz unity-gain bandwidth
- -74/-94dBc HD2/HD3
- 60mA output current
- 7.5ns rise/fall time (1V<sub>pp</sub>)
- 46ns settling time to 0.1%

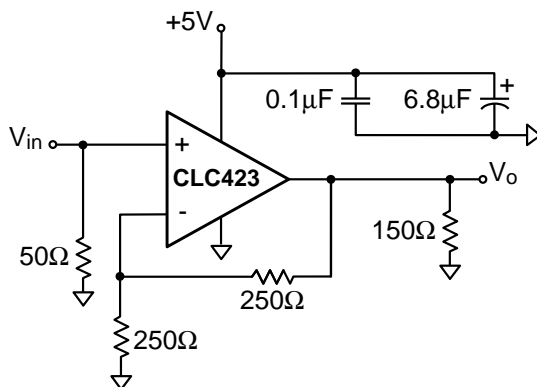
## Applications

- Video ADC driver
- Desktop multimedia
- Single supply cable driver
- Instrumentation
- Video cards
- Wireless IF amplifiers
- Telecommunications

Frequency Response vs. V<sub>out</sub>

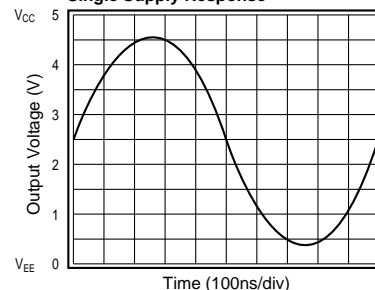


## Typical Application Single +5V Supply operation

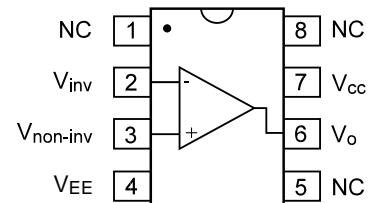


NOTE: V<sub>in</sub> = 0.15V to 2.3V

Single Supply Response



## Pinout DIP & SOIC



# Electrical Characteristics ( $V_s = +5V^1$ , $V_{cm} = +2.5V$ , $A_v = +2$ , $R_f = 250\Omega$ , $R_L = 150\Omega$ to GND; unless specified)

PARAMETERS	CONDITIONS	TYP	MIN/MAX RATINGS			UNITS	NOTES
			25°	0° to +70°	-40° to +85°		
	CLC423AJ	25°	25°	0° to +70°	-40° to +85°		
<b>FREQUENCY DOMAIN RESPONSE</b>							
-3dB bandwidth	$V_o < 1.0V_{pp}$	48	32	28	27	MHz	B
-3dB bandwidth	$V_o < 3.0V_{pp}$	26	16	14	11	MHz	
-3dB bandwidth $A_v = +1V/V$	$V_o < 1.0V_{pp}$	94				MHz	
rolloff	<10MHz	0.1	0.5	0.7	0.8	dB	B
peaking	DC to 200MHz	0	0.5	0.7	0.8	dB	B
linear phase deviation	<15MHz	0.3	0.6	0.8	0.9	deg	
differential gain	NTSC, $R_L=150\Omega$	0.35	0.7	–	–	%	2
differential phase	NTSC, $R_L=150\Omega$	0.55	2	–	–	deg	2
<b>TIME DOMAIN RESPONSE</b>							
rise and fall time	1V step	7.5	13	14	16	ns	
settling time to 0.1%	1V step	46	70	–	–	ns	
overshoot	1V step	5	13	–	–	%	
slew rate $A_v = +2$	2V step	150	90	83	65	V/ $\mu$ s	
<b>DISTORTION AND NOISE RESPONSE</b>							
2 <sup>nd</sup> harmonic distortion	$1V_{pp}$ , 1MHz	74	–	–	–	-dBc	
	$1V_{pp}$ , 5MHz	62	55	52	52	-dBc	B
3 <sup>rd</sup> harmonic distortion	$1V_{pp}$ , 1MHz	94	–	–	–	-dBc	
	$1V_{pp}$ , 5MHz	75	65	63	62	-dBc	B
equivalent input noise							
voltage	>1MHz	10	12.5	13.6	14	nV/ $\sqrt$ Hz	
current	>1MHz	4	5	5.5	5.7	pA/ $\sqrt$ Hz	
<b>STATIC DC PERFORMANCE</b>							
input offset voltage		2	7	8	10	mV	A
average drift		4	–	22	35	$\mu$ V/ $^{\circ}$ C	
input bias current		17	30	36	45	$\mu$ A	A
average drift		80	–	145	175	nA/ $^{\circ}$ C	
input offset current		0.2	5	6	7.5	$\mu$ A	
average drift		10	–	22	27	nA/ $^{\circ}$ C	
power supply rejection ratio	DC	82	65	64	60	dB	B
common-mode rejection ratio	DC	82	55	53	50	dB	
supply current	no load	7	8.5	8.5	8.5	mA	A
<b>MISCELLANEOUS PERFORMANCE</b>							
input capacitance		1	2	2	2	pF	
input resistance		700	500	450	360	k $\Omega$	
output impedance	@DC	0.07	0.15	0.24	0.7	$\Omega$	
input voltage range, high		3.7	3.45	3.25	3.15	V	
input voltage range, low		0	0	0	0	V	
output voltage range, high	$R_L = 150\Omega$	4.5	4.35	4.3	4.2	V	
output voltage range, low	$R_L = 150\Omega$	0.35	0.5	0.5	0.55	V	
output voltage range, high	no load	4.8	4.6	4.55	4.45	V	
output voltage range, low	no load	0.45	0.65	0.7	0.75	V	
output current	source	60	50	40	34	mA	
output current	sink	36	20	16	10	mA	
supply voltage, maximum			7	7	7	V	1
supply voltage, minimum			4	4	4	V	1

Min/max ratings are based on product characterization and simulation. Individual parameters are tested as noted. Outgoing quality levels are determined from tested parameters.

## Absolute Maximum Ratings

supply voltage ( $V_s$ )	+7V
$I_{out}$ is short circuit protected to ground	
common-mode input voltage	$V_{EE}$ to $V_{CC}$
maximum junction temperature	+175 $^{\circ}$ C
storage temperature range	-65 $^{\circ}$ C to +150 $^{\circ}$ C
lead temperature (soldering 10 sec)	+260 $^{\circ}$ C
differential input voltage	$\pm$ 2V
EDS tolerance (Note 3)	4000V

## Notes

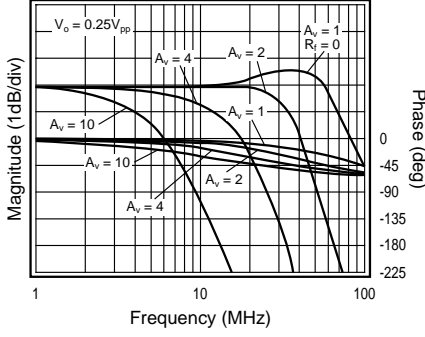
- J-level: spec is 100% tested at 25 $^{\circ}$ C, sample tested at 85 $^{\circ}$ C.
  - J-level: spec is sample tested at 25 $^{\circ}$ C.
- $V_s = V_{CC} - V_{EE}$ .
  - Tested with  $R_L$  tied to +2.5V.
  - Human body model, 1.5k $\Omega$  in series with 100pF.

## Reliability Information

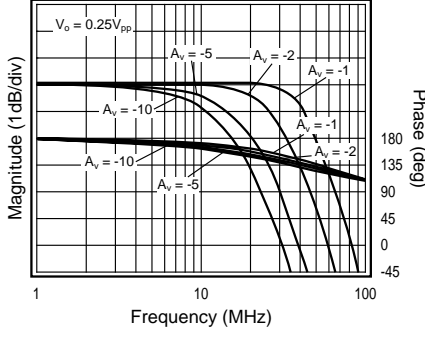
transistor count	62
MTBF	823Mhr

# Typical Performance Characteristics ( $V_S = +5V^1$ , $V_{CM} = +2.5V$ , $A_V = +2$ , $R_T = 250\Omega$ , $R_L = 150\Omega$ to GND; unless specified)

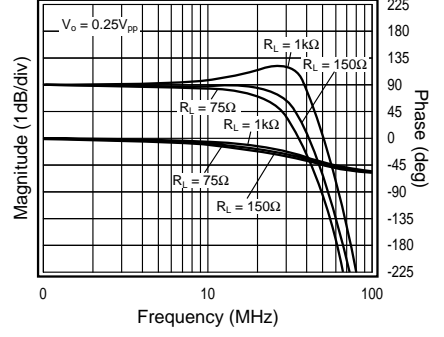
**Non-Inverting Frequency Response**



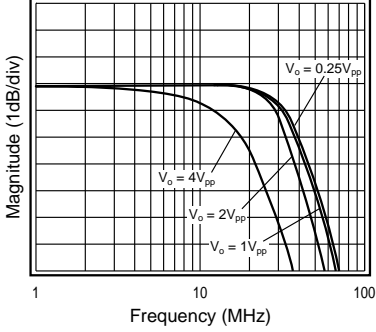
**Inverting Frequency Response**



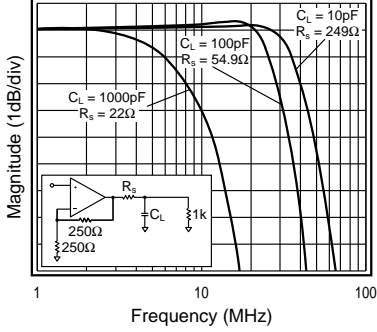
**Frequency Response vs.  $R_L$**



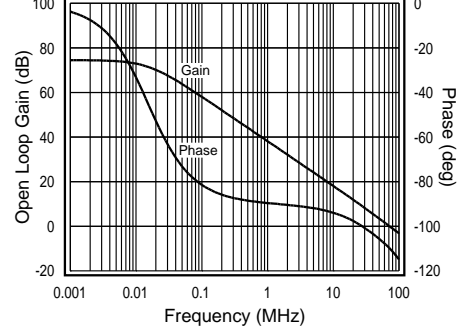
**Frequency Response vs.  $V_{out}$**



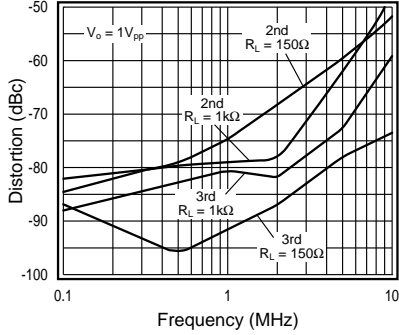
**Frequency Response vs.  $C_L$**



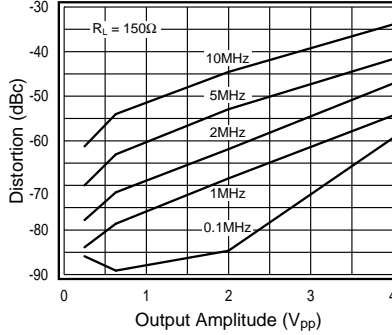
**Open Loop Gain & Phase**



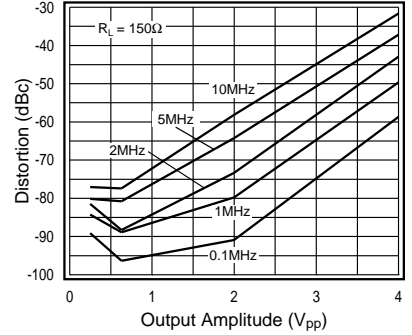
**Harmonic Distortion vs. Frequency**



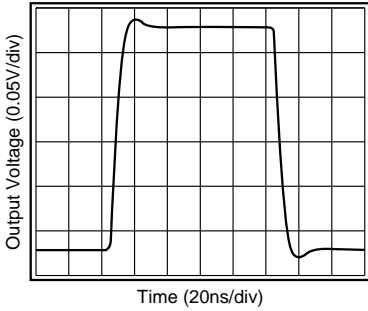
**2nd Harmonic Distortion vs.  $V_{out}$**



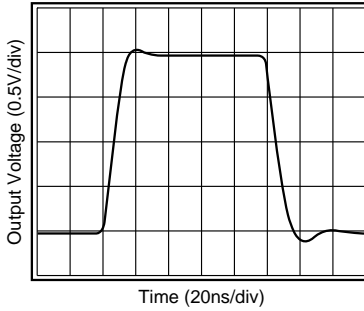
**3rd Harmonic Distortion vs.  $V_{out}$**



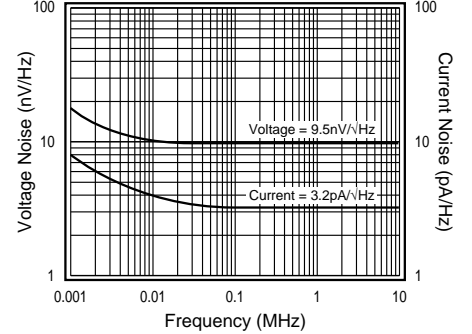
**Small Signal Pulse Response**



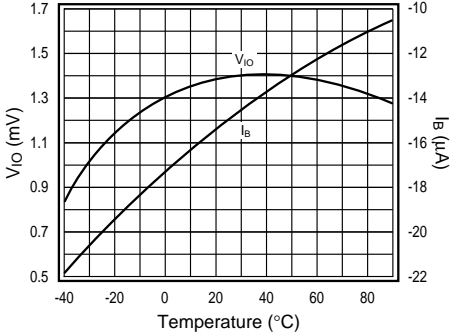
**Large Signal Pulse Response**



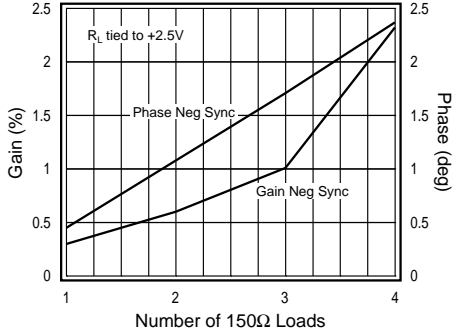
**Equivalent Input Noise**



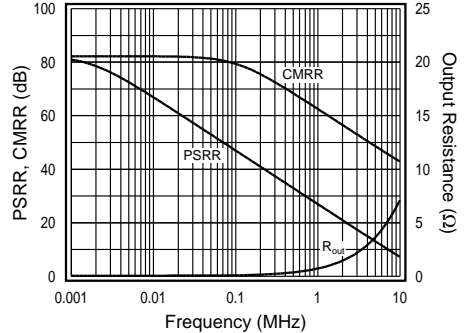
**$I_B$ ,  $V_{IO}$ , vs. Temperature**



**Differential Gain and Phase (3.58MHz)**



**PSRR, CMRR & Linear  $R_{out}$  vs. Frequency**



# CLC423 OPERATIONS

## Description

The CLC423 is a voltage feedback amplifier designed for single supply operation. The CLC423 is a single version of the CLC427 with the following features:

- Operates from a single +5V supply
- Maintains near rail-to-rail performance
- Includes the negative rail (0V) in the Common Mode Input Range (CMIR)
- Offers low -74/-94dBc 2nd and 3rd harmonic distortion
- Provides BW > 20MHz and 1MHz distortion < -50dBc at  $V_o = 4V_{pp}$

## Single Supply Operation ( $V_{CC} = +5V, V_{EE} = GND$ )

The CLC423 is designed to operate from 0 and 5V supplies. The specifications given in the **Electrical Characteristics** table are measured with a common mode voltage ( $V_{cm}$ ) of 2.5V.  $V_{cm}$  is the voltage around which the inputs are applied and the output voltages are specified.

Operating from a single +5V supply, the CMIR of the CLC423 is typically 0V to +3.7V. The typical output range with  $R_L = 150\Omega$  is +0.35V to +4.5V.

For DC coupled single supply operation, it is recommended that input signal levels remain above ground. For input signals that drop below ground, AC coupling and level shifting the signal are possible remedies. For input signals that remain above ground, no adjustments need to be made. The non-inverting and inverting configurations for both input conditions are illustrated in the following 2 sections.

## DC Coupled Single Supply Operation

Figures 1 and 2 show the recommended non-inverting and inverting configurations for purely positive input signals.

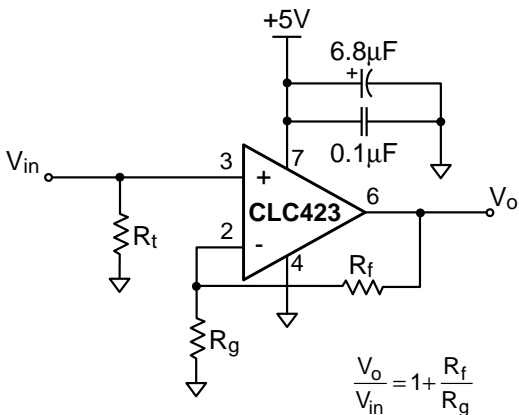


Figure 1: Non-inverting Configuration

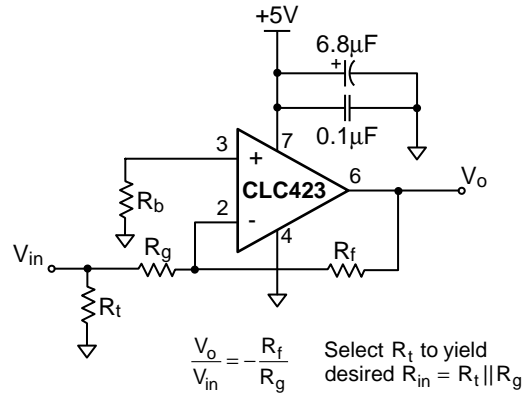


Figure 2: Inverting Configuration

## AC Coupled Single Supply Operation

Figures 3 and 4 show possible non-inverting and inverting configurations for input signals that go below ground. The input is AC coupled to prevent the need for level shifting the input signal at the source. The resistive voltage divider biases the non-inverting input to  $V_{CC} \div 2 = 2.5V$ .

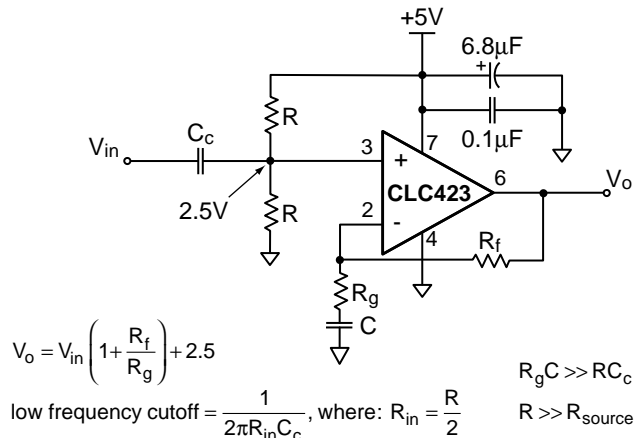


Figure 3: AC Coupled Non-inverting Configuration

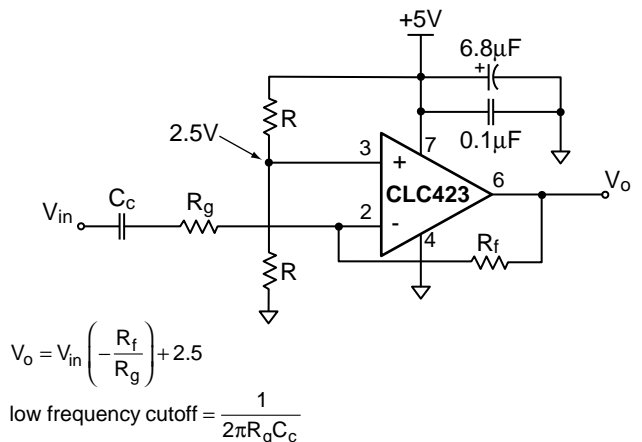


Figure 4: AC Coupled Inverting Configuration

### Load Termination

Since the CLC423 design has been optimized for Single Supply Operation, it is more capable of sourcing rather than sinking current. For optimum performance, the load should be tied to  $V_{EE}$ . When the load is tied to  $V_{EE}$ , the output always sources current.

### Output Overdrive Recovery

When the output range of an amplifier is exceeded, time is required for the amplifier to recover from this overdriven condition. Figure 5 illustrates the overload recovery of the CLC423 when the output is overdriven. An input was applied in an attempt to drive the output to twice the supply rails ( $2 \cdot (V_{CC} - V_{EE}) = 10V$ ), but the output limits. An inverting gain topology was used, see Figure 2. As indicated, the CLC423 recovers within 25ns on the rising edge and within 10ns on the falling edge.

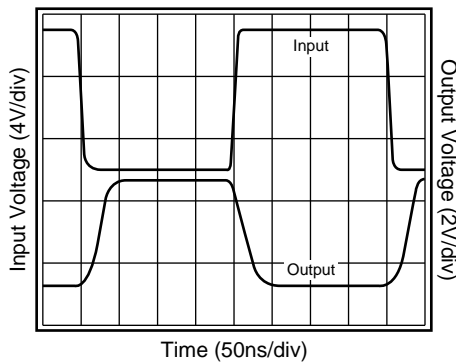


Figure 5: Overdrive Recovery

### Driving Cables and Capacitive Loads

When driving cables, double termination is used to prevent reflections. For capacitive load applications, a small series resistor at the output of the CLC423 will improve stability and settling performance. The **Frequency Response vs.  $C_L$**  plot, in the typical performance section, gives the recommended series resistance value for optimum flatness at various capacitive loads.

### Transmission Line Matching

One method for matching the characteristic impedance ( $Z_0$ ) of a transmission line or cable is to place the appropriate resistor at the input or output of the amplifier. Figure 6 shows typical inverting and non-inverting circuit configurations for matching transmission lines.

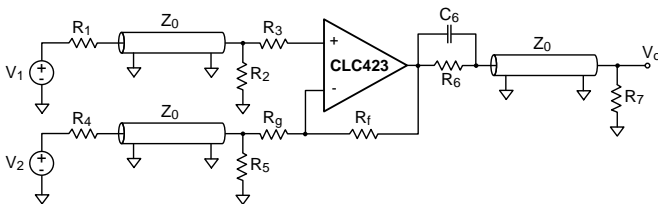


Figure 6: Transmission Line Matching

Non-inverting gain applications:

- Connect  $R_g$  directly to ground.
- Make  $R_1$ ,  $R_2$ ,  $R_6$ , and  $R_7$  equal to  $Z_0$ .
- Use  $R_3$  to isolate the amplifier from reactive loading caused by the transmission line, or by parasitics.

Inverting gain applications:

- Connect  $R_3$  directly to ground.
- Make the resistors  $R_4$ ,  $R_6$ , and  $R_7$  equal to  $Z_0$ .
- Make  $R_5 \parallel R_g = Z_0$ .

The input and output matching resistors attenuate the signal by a factor of 2, therefore additional gain is needed. Use  $C_6$  to match the output transmission line over a greater frequency range.  $C_6$  compensates for the increase of the amplifier's output impedance with frequency.

### Power Dissipation

Follow these steps to determine the power consumption of the CLC423:

1. Calculate the quiescent (no-load) power:  

$$P_{amp} = I_{CC} (V_{CC} - V_{EE})$$
2. Calculate the RMS power at the output stage:  

$$P_o = (V_{CC} - V_{load}) (I_{load})$$
, where  $V_{load}$  and  $I_{load}$  are the RMS voltage and current across the external load.
3. Calculate the total RMS power:  

$$P_t = P_{amp} + P_o$$

The maximum power that the DIP and SOIC packages can dissipate at a given temperature is illustrated in Figure 7. The power derating curve for any package can be derived by utilizing the following equation:

$$\frac{(175^\circ - T_{amb})}{\theta_{JA}}$$

where:

$T_{amb}$  = Ambient temperature ( $^\circ C$ )

$\theta_{ja}$  = Thermal resistance, from junction to ambient, for a given package ( $^\circ C/W$ )

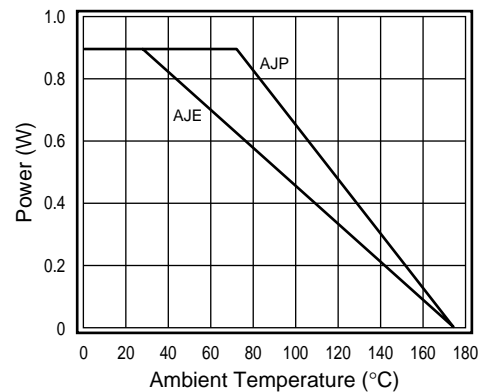


Figure 7: Power Derating Curves

## Layout Considerations

A proper printed circuit layout is essential for achieving high frequency performance. Comlinear provides evaluation boards for the CLC423 (730013 - DIP, 730027-SOIC) and suggests their use as a guide for high frequency layout and as an aid for device testing and characterization.

General layout and supply bypassing play major roles in high frequency performance. Follow the steps below as a basis for high frequency layout:

- Include 6.8 $\mu$ F tantalum and 0.1 $\mu$ F ceramic capacitors on both supplies.
- Place the 6.8 $\mu$ F capacitors within 0.75 inches of the power pins.
- Place the 0.1 $\mu$ F capacitors less than 0.1 inches from the power pins.
- Remove the ground plane under and around the part, especially near the input and output pins to reduce parasitic capacitance.
- Minimize all trace lengths to reduce series inductances.
- Use flush-mount printed circuit board pins for prototyping, never use high profile DIP sockets.

## Evaluation Board Information

A data sheet is available for the CLC730013 and CLC730027 evaluation boards. This 8-pin op amp evaluation board data sheet provides:

- Evaluation board schematics
- Evaluation board layouts for both DIP and SOIC boards
- General information about the boards

The data sheet also contains tables of recommended components to evaluate several of Comlinear's high speed amplifiers. This table for the CLC423 is illustrated below. Refer to the evaluation board data sheet for schematics and further information.

## Components Needed to Evaluate the CLC423 on the Evaluation Board:

- $R_f$ ,  $R_g$  - Use this product data sheet to select values
- $R_{in}$ ,  $R_{out}$  - Typically 50 $\Omega$  (Refer to the **Basic Operation** section of the evaluation board data sheet for details)
- $R_t$  - Optional resistor for inverting gain configurations (Select  $R_t$  to yield desired input impedance =  $R_g \parallel R_t$ )
- $C_1$ ,  $C_2$  - 0.1 $\mu$ F ceramic capacitors
- $C_3$ ,  $C_4$  - 6.8 $\mu$ F tantalum capacitors

Components not used:

- $C_5$ ,  $C_6$ ,  $C_7$ ,  $C_8$
- $R_1$  thru  $R_8$

The evaluation boards are designed to accommodate dual supplies. The boards can be modified to provide single supply operation. For best performance; 1) do not connect the unused supply, 2) provide a wide jumper across  $C_2$ . Use a jumper that is equal in width to the trace connecting pin 4 to  $C_2$ . This will minimize any additional inductance caused by the jumper.

## SPICE Models

SPICE models provide a means to evaluate amplifier designs. Free SPICE models are available for Comlinear's monolithic amplifiers that:

- Support Berkeley SPICE 2G and its many derivatives
- Reproduce typical DC, AC, Transient, and Noise performance
- Support room temperature simulations

The **readme** file that accompanies the diskette lists released models, and provides a list of modeled parameters. The application note OA-18, Simulation SPICE Models for Comlinear's Op Amps, contains schematics and a reproduction of the readme file.

## Applications Circuits

### Typical Application Circuit

The typical application shown on the front page illustrates the near rail-to-rail performance of the CLC423.

### Single Supply Cable Driver

Figure 8 illustrates the CLC423 in a typical single supply cable driving application. The CLC423 is set for a gain of +2V/V to compensate for the divide-by-two voltage drop at  $V_o$ .

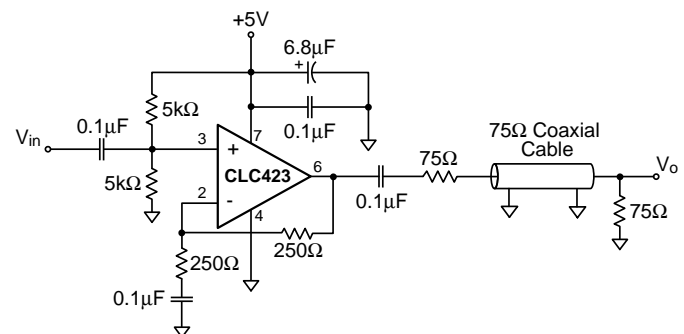
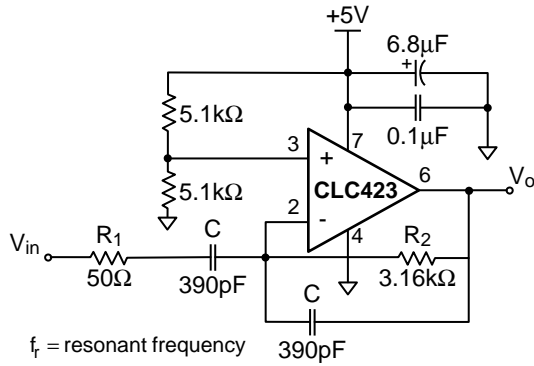


Figure 8: Single Supply Cable Driver

### Multiple Feedback Bandpass Filter

Figure 9 illustrates a bandpass filter and design equations. The circuit operates from a single supply of +5V. The voltage divider biases the non-inverting input to 2.5V. The input is AC coupled to prevent the need for level shifting the input signal at the source. Use the design equations to determine  $R_1$  and  $R_2$  based on the desired Q and center frequency.

This example illustrates a bandpass filter with  $Q = 4$  and center frequency  $f_c = 1\text{MHz}$ . Figure 10 indicates the filter response.



$$R_2 = \frac{Q}{\pi f_c C} \quad f_r = \text{resonant frequency}$$

$$R_1 = \frac{R_2}{4Q^2} \quad A = 2Q^2 \quad A = \text{mid-band gain}$$

Figure 9: Bandpass Filter Topology

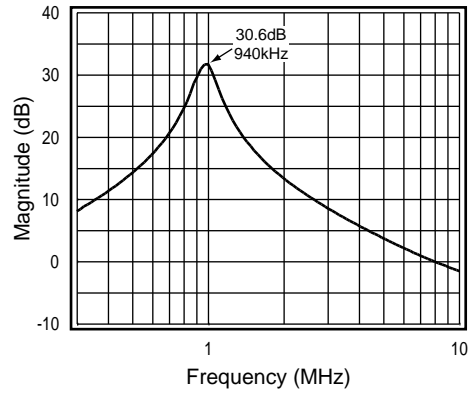


Figure 10: Bandpass Response

### Ordering Information

Model	Temperature Range	Description
CLC423AJP	-40°C to +85°C	8-pin PDIP
CLC423AJE	-40°C to +85°C	8-pin SOIC

### Package Thermal Resistance

Package	$\theta_{JC}$	$\theta_{JA}$
Plastic (AJP)	100°C/W	15°C/W
Surface Mount (AJE)	145°C/W	165°C/W



---

### Customer Design Applications Support

National Semiconductor is committed to design excellence. For sales, literature and technical support, call the National Semiconductor Customer Response Group at **1-800-272-9959** or fax **1-800-737-7018**.

### Life Support Policy

National's products are not authorized for use as critical components in life support devices or systems without the express written approval of the president of National Semiconductor Corporation. As used herein:

1. Life support devices or systems are devices or systems which, a) are intended for surgical implant into the body, or b) support or sustain life, and whose failure to perform, when properly used in accordance with instructions for use provided in the labeling, can be reasonably expected to result in a significant injury to the user.
2. A critical component is any component of a life support device or system whose failure to perform can be reasonably expected to cause the failure of the life support device or system, or to affect its safety or effectiveness.



#### National Semiconductor Corporation

1111 West Bardin Road  
Arlington, TX 76017  
Tel: 1(800) 272-9959  
Fax: 1(800) 737-7018

#### National Semiconductor Europe

Fax: (+49) 0-180-530 85 86  
E-mail: europe.support.nsc.com  
Deutsch Tel: (+49) 0-180-530 85 85  
English Tel: (+49) 0-180-532 78 32  
Francais Tel: (+49) 0-180-532 93 58  
Italiano Tel: (+49) 0-180-534 16 80

#### National Semiconductor Hong Kong Ltd.

13th Floor, Straight Block  
Ocean Centre, 5 Canton Road  
Tsimshatsui, Kowloon  
Hong Kong  
Tel: (852) 2737-1600  
Fax: (852) 2736-9960

#### National Semiconductor Japan Ltd.

Tel: 81-043-299-2309  
Fax: 81-043-299-2408

---

National does not assume any responsibility for use of any circuitry described, no circuit patent licenses are implied and National reserves the right at any time without notice to change said circuitry and specifications.

## IMPORTANT NOTICE

Texas Instruments Incorporated and its subsidiaries (TI) reserve the right to make corrections, modifications, enhancements, improvements, and other changes to its products and services at any time and to discontinue any product or service without notice. Customers should obtain the latest relevant information before placing orders and should verify that such information is current and complete. All products are sold subject to TI's terms and conditions of sale supplied at the time of order acknowledgment.

TI warrants performance of its hardware products to the specifications applicable at the time of sale in accordance with TI's standard warranty. Testing and other quality control techniques are used to the extent TI deems necessary to support this warranty. Except where mandated by government requirements, testing of all parameters of each product is not necessarily performed.

TI assumes no liability for applications assistance or customer product design. Customers are responsible for their products and applications using TI components. To minimize the risks associated with customer products and applications, customers should provide adequate design and operating safeguards.

TI does not warrant or represent that any license, either express or implied, is granted under any TI patent right, copyright, mask work right, or other TI intellectual property right relating to any combination, machine, or process in which TI products or services are used. Information published by TI regarding third-party products or services does not constitute a license from TI to use such products or services or a warranty or endorsement thereof. Use of such information may require a license from a third party under the patents or other intellectual property of the third party, or a license from TI under the patents or other intellectual property of TI.

Reproduction of TI information in TI data books or data sheets is permissible only if reproduction is without alteration and is accompanied by all associated warranties, conditions, limitations, and notices. Reproduction of this information with alteration is an unfair and deceptive business practice. TI is not responsible or liable for such altered documentation. Information of third parties may be subject to additional restrictions.

Resale of TI products or services with statements different from or beyond the parameters stated by TI for that product or service voids all express and any implied warranties for the associated TI product or service and is an unfair and deceptive business practice. TI is not responsible or liable for any such statements.

TI products are not authorized for use in safety-critical applications (such as life support) where a failure of the TI product would reasonably be expected to cause severe personal injury or death, unless officers of the parties have executed an agreement specifically governing such use. Buyers represent that they have all necessary expertise in the safety and regulatory ramifications of their applications, and acknowledge and agree that they are solely responsible for all legal, regulatory and safety-related requirements concerning their products and any use of TI products in such safety-critical applications, notwithstanding any applications-related information or support that may be provided by TI. Further, Buyers must fully indemnify TI and its representatives against any damages arising out of the use of TI products in such safety-critical applications.

TI products are neither designed nor intended for use in military/aerospace applications or environments unless the TI products are specifically designated by TI as military-grade or "enhanced plastic." Only products designated by TI as military-grade meet military specifications. Buyers acknowledge and agree that any such use of TI products which TI has not designated as military-grade is solely at the Buyer's risk, and that they are solely responsible for compliance with all legal and regulatory requirements in connection with such use.

TI products are neither designed nor intended for use in automotive applications or environments unless the specific TI products are designated by TI as compliant with ISO/TS 16949 requirements. Buyers acknowledge and agree that, if they use any non-designated products in automotive applications, TI will not be responsible for any failure to meet such requirements.

Following are URLs where you can obtain information on other Texas Instruments products and application solutions:

### Products

Audio	<a href="http://www.ti.com/audio">www.ti.com/audio</a>
Amplifiers	<a href="http://amplifier.ti.com">amplifier.ti.com</a>
Data Converters	<a href="http://dataconverter.ti.com">dataconverter.ti.com</a>
DLP® Products	<a href="http://www.dlp.com">www.dlp.com</a>
DSP	<a href="http://dsp.ti.com">dsp.ti.com</a>
Clocks and Timers	<a href="http://www.ti.com/clocks">www.ti.com/clocks</a>
Interface	<a href="http://interface.ti.com">interface.ti.com</a>
Logic	<a href="http://logic.ti.com">logic.ti.com</a>
Power Mgmt	<a href="http://power.ti.com">power.ti.com</a>
Microcontrollers	<a href="http://microcontroller.ti.com">microcontroller.ti.com</a>
RFID	<a href="http://www.ti-rfid.com">www.ti-rfid.com</a>
OMAP Mobile Processors	<a href="http://www.ti.com/omap">www.ti.com/omap</a>
Wireless Connectivity	<a href="http://www.ti.com/wirelessconnectivity">www.ti.com/wirelessconnectivity</a>

### Applications

Communications and Telecom	<a href="http://www.ti.com/communications">www.ti.com/communications</a>
Computers and Peripherals	<a href="http://www.ti.com/computers">www.ti.com/computers</a>
Consumer Electronics	<a href="http://www.ti.com/consumer-apps">www.ti.com/consumer-apps</a>
Energy and Lighting	<a href="http://www.ti.com/energy">www.ti.com/energy</a>
Industrial	<a href="http://www.ti.com/industrial">www.ti.com/industrial</a>
Medical	<a href="http://www.ti.com/medical">www.ti.com/medical</a>
Security	<a href="http://www.ti.com/security">www.ti.com/security</a>
Space, Avionics and Defense	<a href="http://www.ti.com/space-avionics-defense">www.ti.com/space-avionics-defense</a>
Transportation and Automotive	<a href="http://www.ti.com/automotive">www.ti.com/automotive</a>
Video and Imaging	<a href="http://www.ti.com/video">www.ti.com/video</a>

TI E2E Community Home Page

[e2e.ti.com](http://e2e.ti.com)

Mailing Address: Texas Instruments, Post Office Box 655303, Dallas, Texas 75265  
Copyright © 2011, Texas Instruments Incorporated