

CLC430

CLC430 General Purpose 100MHz Op Amp with Disable



Literature Number: SNOS823B

CLC430

General Purpose 100MHz Op Amp with Disable

General Description

The CLC430 is a low cost, wideband monolithic amplifier for general purpose applications. The CLC430 utilizes National's patented current feedback circuit topology to provide an op amp with a slew rate of 2000V/ μ s, 100MHz unity-gain bandwidth and fast output disable function. Like all current feedback op amps, the CLC430 allows the frequency response to be optimized (or adjusted) by the selection of the feedback resistor. For demanding video applications, the 0.1dB bandwidth to 20MHz and differential gain/phase of 0.03%/0.05° make the CLC430 the preferred component for broadcast quality NTSC and PAL video systems.

The large voltage swing (28V_{PP}), continuous output current (85mA) and slew rate (2000V/ μ s) provide high-fidelity signal conditioning for applications such as CCDs, transmission lines and low impedance circuits. Even driving loads of 100 Ω , the CLC430 provides very low 2nd and 3rd harmonic distortion at 1MHz (-76/-82dBc).

Video distribution, multimedia and general purpose applications will benefit from the CLC430's wide bandwidth and disable feature. Power is reduced and the output becomes a high impedance when disabled. The wide gain range of the CLC430 makes this general purpose op amp an improved solution for circuits such as active filters, differential-to-single-ended drivers, DAC transimpedance amplifiers and MOSFET drivers.

Features

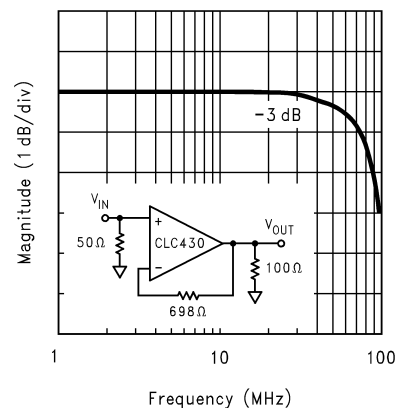
- 0.1dB gain flatness to 20MHz ($A_V = +2$)
- 100MHz bandwidth ($A_V = +1$)
- 2000V/ μ s slew rate

- 0.03%/0.05° differential gain/phase
- $\pm 5V$, $\pm 15V$ or single supplies
- 100ns disable to high impedance output
- Wide gain range
- Low cost

Applications

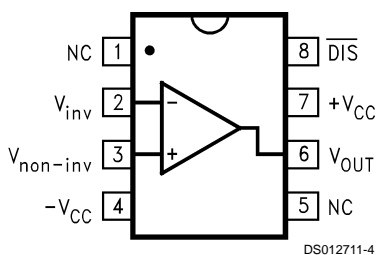
- Video distribution
- CCD clock driver
- Multimedia systems
- DAC output buffers
- Imaging systems

Unity-Gain Frequency Response



DS012711-1

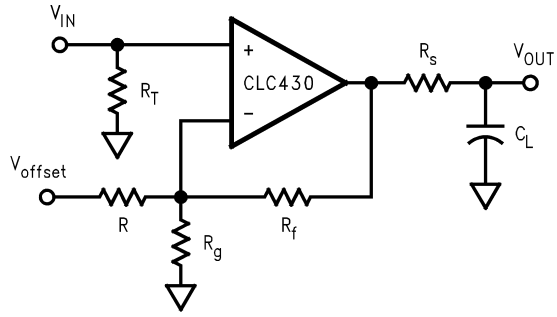
Connection Diagram



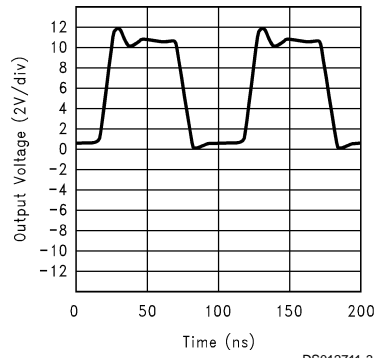
DS012711-4

Pinout
DIP & SOIC

Typical Application



DS012711-2



CCD Clock Driver

Ordering Information

Package	Temperature Range Industrial	Part Number	Packaging Marking	NSC Drawing
8-pin plastic DIP	-40°C to +85°C	CLC430AJP	CLC430AJP	N08E
8-pin plastic SOIC	-40°C to +85°C	CLC430AJE	CLC430AJE	M08A

Absolute Maximum Ratings (Note 1)

If Military/Aerospace specified devices are required, please contact the National Semiconductor Sales Office/Distributors for availability and specifications.

Supply Voltage	±16.5V
Short Circuit Current	(see note 4)
Common-Mode Input Voltage	±V _{CC}
Maximum Junction Temperature	+150°C
Storage Temperature Range	-65°C to +150°C

Lead Temperature (soldering 10 sec)	+300°C
ESD (human body model)	4000V

Operating Ratings

Thermal Resistance		
Package	θ_{JC}	θ_{JA}
MDIP	60°C/W	115°C/W
SOIC	55°C/W	135°C/W

Electrical Characteristics

V_{CC} = ±15 V, A_V = +2V/V, R_f = 604Ω, R_L = 100Ω; unless specified

Symbol	Parameter	Conditions	V _{CC}	Typ	Min/Max Ratings (Note 2)			Units
	Ambient Temperature	CLC430AJ		+25°C	+25°C	0 to 70°C	-40 to 85°C	
Frequency Domain Response								
	Unity-Gain Bandwidth	V _{OUT} < 1.0V _{PP}	±15	100				MHz
	Small-Signal Bandwidth	V _{OUT} < 1.0V _{PP}	±15	75	50	45	42	MHz
		V _{OUT} < 1.0V _{PP}	±5	55	35			MHz
	0.1dB Bandwidth	V _{OUT} < 1.0V _{PP}	±15	20	7			MHz
		V _{OUT} < 1.0V _{PP}	±5	16				MHz
	Large-Signal Bandwidth	V _{OUT} < 10V _{PP}		30	22	20	19	MHz
	Gain Flatness	V _{OUT} < 1.0V _{PP}						
	Peaking	DC to 10MHz		0.0	0.1	0.2	0.2	dB
	Rolloff	DC to 20MHz		0.1	0.7	1.0	1.2	dB
	Linear Phase Deviation	DC to 20MHz		0.5	1.8	2.0	2.1	deg
	Differential Gain	4.43 MHz, R _L = 150Ω	±15	0.03	0.05	0.06	0.06	%
		4.43 MHz, R _L = 150Ω	±5	0.03	0.05			%
	Differential Phase	4.43 MHz, R _L = 150Ω	±15	0.05	0.09	0.12	0.13	deg
		4.43 MHz, R _L = 150Ω	±5	0.09	0.19			deg
Time Domain Response								
	Rise and Fall Time	2V Step		5	7	7	7	ns
		10V Step			10	14	14	14
	Settling Time to 0.05%	2V Step		35	50	55	55	ns
	Overshoot	2V Step		5	15	15	15	%
	Slew Rate	20V Step		2000	1500	1450	1450	V/μs
Distortion And Noise Response								
	2nd Harmonic Distortion	1V _{PP} , 1MHz, R _L = 500Ω		-89				dBc
	3rd Harmonic Distortion	1V _{PP} , 1MHz, R _L = 500Ω		-92				dBc
	Input Voltage Noise	>1MHz		3.0	3.5	3.7	3.8	nV/√Hz
	Non-Inverting Input Current Noise	>1MHz		3.2	6.0	6.3	6.8	pA/√Hz
	Inverting Input Current Noise	> 1MHz		15	18	20	21	pA/√Hz
DC Performance								
	Input Offset Voltage (Note 3)		±15	1.0	7.5	9.0	10.0	mV
	Average Drift			25	-	50	50	μV/°C
	Input Bias Current (Note 3)	Non-Inverting	±15, ±5	3	14	16	20	μA
	Average Drift		-	10	-	100	100	nA/°C

Electrical Characteristics (Continued)

$V_{CC} = \pm 15\text{ V}$, $A_V = +2\text{V/V}$, $R_f = 604\Omega$, $R_L = 100\Omega$; unless specified

Symbol	Parameter	Conditions	V_{CC}	Typ	Min/Max Ratings (Note 2)				Units
DC Performance									
	Input Bias Current (Note 3)	Inverting	± 15 , ± 5	3	14	15	17		μA
	average drift		-	10	-	60	90		$\text{nA}/^\circ\text{C}$
	Power-Supply Rejection Ratio	DC		62	56	54	53		dB
	Common-Mode Rejection Ratio	DC		62	54	53	52		dB
	Supply Current (Note 3)	$R_L = \infty$	± 15 , ± 5	11, 8.5	12	13	14.5		mA
	Disabled (Note 3)	$R_L = \infty$	± 15 , ± 5	1.5	2.0	2.2	2.4		mA
Switching Performance									
	Turn On Time			200	300	320	340		ns
	Turn Off Time	(Note 5)		100	200	200	200		ns
	Off Isolation	10MHz		59	56	56	56		dB
	High Input Voltage	V_{IH}	± 15	11.8	12.5	12.7			V
			± 5	1.8	2.5	2.7			V
	Low Input Voltage	V_{IL}	± 15	10.8	10.5	10.0			V
			± 5	0.8	0.6	0.1			V
Miscellaneous Performance									
	Non-Inverting Input Resistance			8.0	3.0	2.5	1.7		$\text{M}\Omega$
	Non-Inverting Input Capacitance			0.5	1.0	1.0	1.0		pF
	Input Voltage Range	Common Mode	± 5	± 12.5	± 12.3	± 12.1	± 11.8		V
		Common Mode		± 5	± 2.5	± 2.3	± 2.2	± 1.9	
	Output Voltage Range	$R_L = \infty$	± 15	± 14	± 13.7	± 13.7	± 13.6		V
		$R_L = \infty$		± 5	± 4.0	± 3.9	± 3.8	± 3.7	
	Output Current			± 85	± 60	± 50	± 45		mA

Note 1: "Absolute Maximum Ratings" are those values beyond which the safety of the device cannot be guaranteed. They are not meant to imply that the devices should be operated at these limits. The table of "Electrical Characteristics" specifies conditions of device operation.

Note 2: Min/max ratings are based on product characterization and simulation. Individual parameters are tested as noted. Outgoing quality levels are determined from tested parameters.

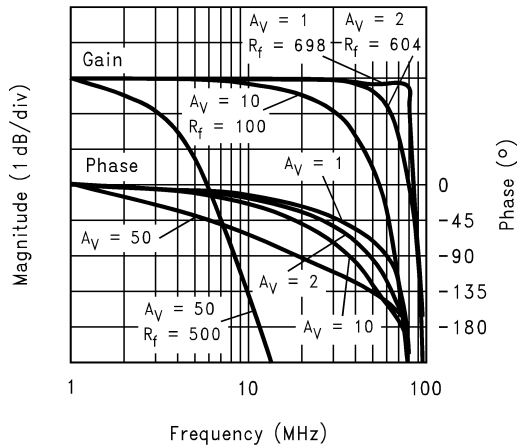
Note 3: AJ-level: spec. is 100% tested at $+25^\circ\text{C}$.

Note 4: Output is short circuit protected to ground, however maximum reliability is obtained if output current does not exceed 125mA.

Note 5: To $<50\text{dB}$ attenuation @10MHz.

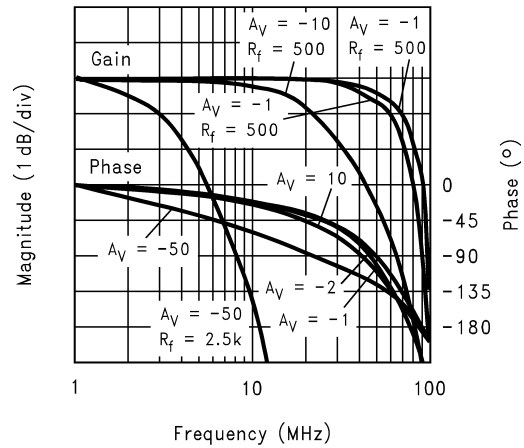
Typical Performance Characteristics ($V_{CC} = \pm 15V$, $A_V = +2V/V$, $R_f = 640\Omega$, $R_L = 100\Omega$; Unless Specified)

Non-Inverting Frequency Response



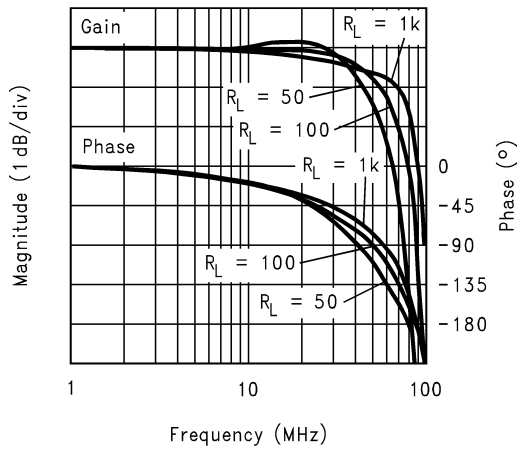
DS012711-6

Inverting Frequency Response



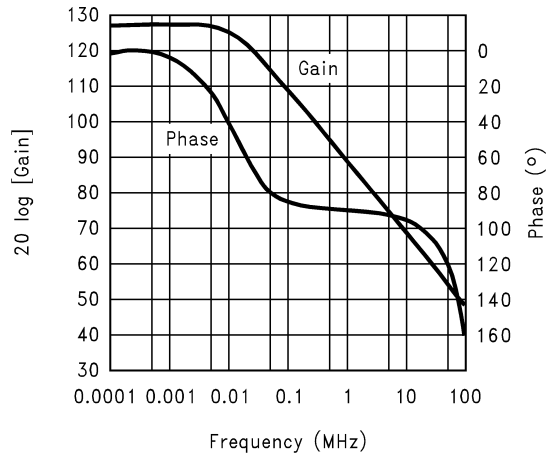
DS012711-7

Frequency Response vs. Load



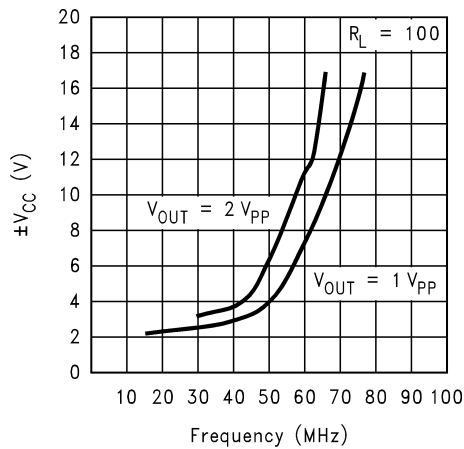
DS012711-8

Open-Loop Transimpedance Gain, Z(s)



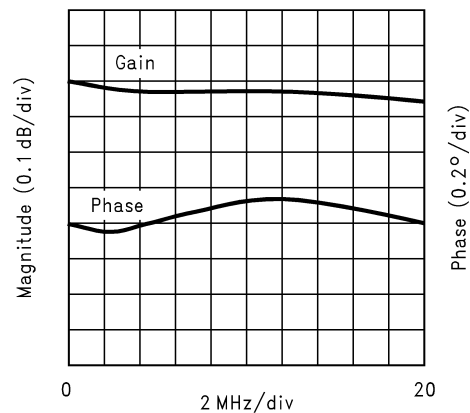
DS012711-9

-3dB Bandwidth vs. V_{CC}



DS012711-10

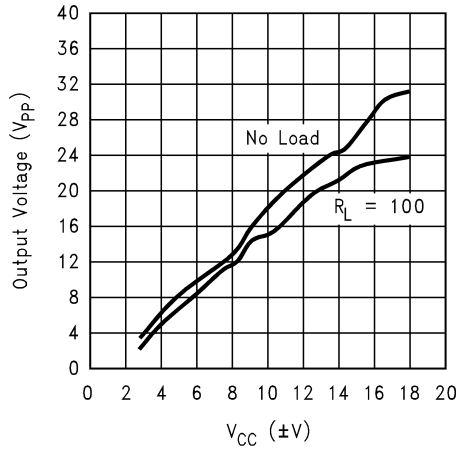
Gain Flatness and Linear Phase



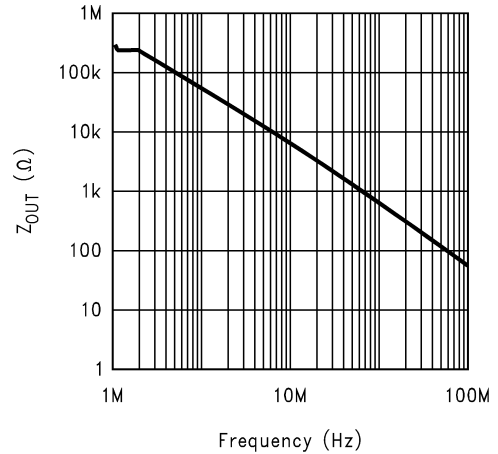
DS012711-11

Typical Performance Characteristics ($V_{CC} = \pm 15V$, $A_V = +2V/V$, $R_f = 640\Omega$, $R_L = 100\Omega$; Unless Specified)) (Continued)

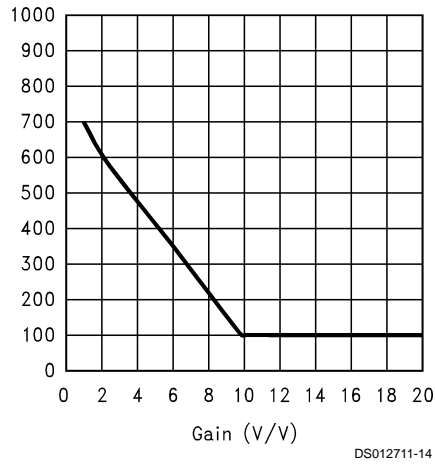
Maximum Output Voltage vs. V_{CC}



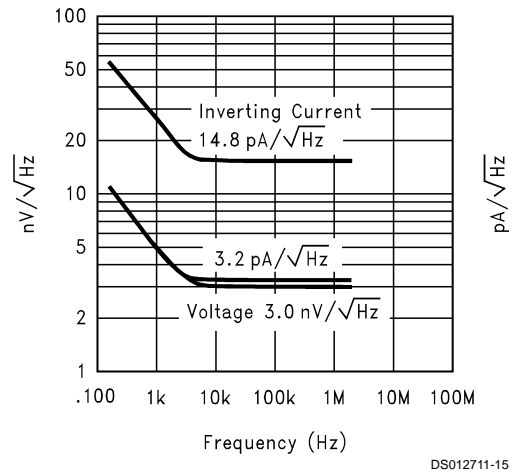
Output Impedance, Disable Mode



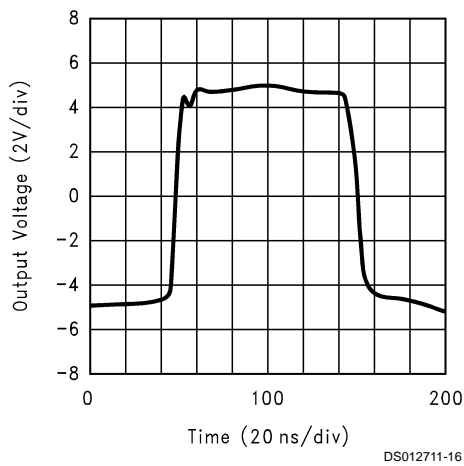
Recommended R_f vs. Gain



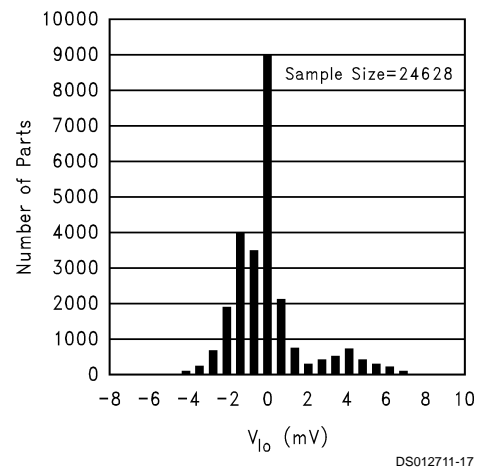
Equivalent Input Noise



Large Signal Pulse Response

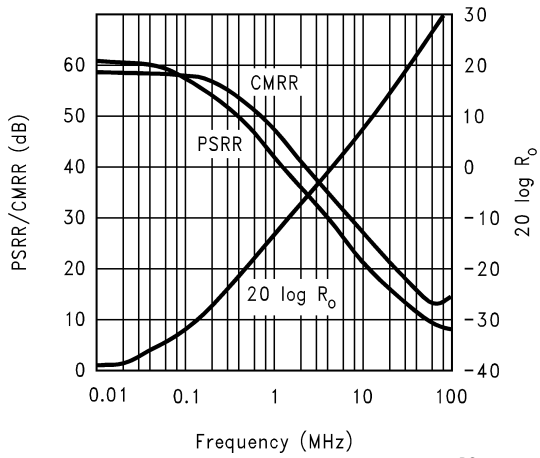


Histogram of Input Offset Voltage



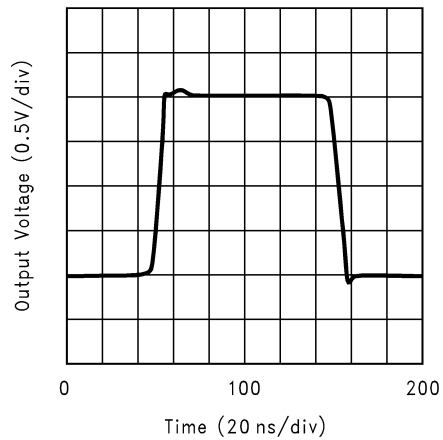
Typical Performance Characteristics ($V_{CC} = \pm 15V$, $A_V = +2V/V$, $R_f = 640\Omega$, $R_L = 100\Omega$; Unless Specified)) (Continued)

PSRR, CMRR and Closed Loop R_o



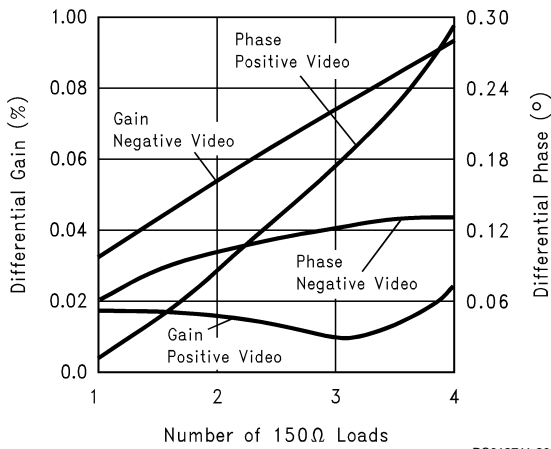
DS012711-18

Small Signal Pulse Response



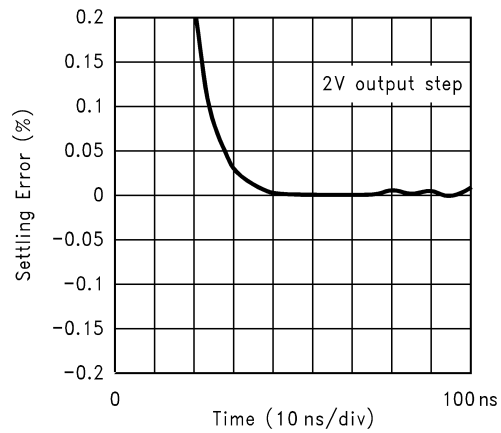
DS012711-19

Differential Gain and Phase (3.58MHz)



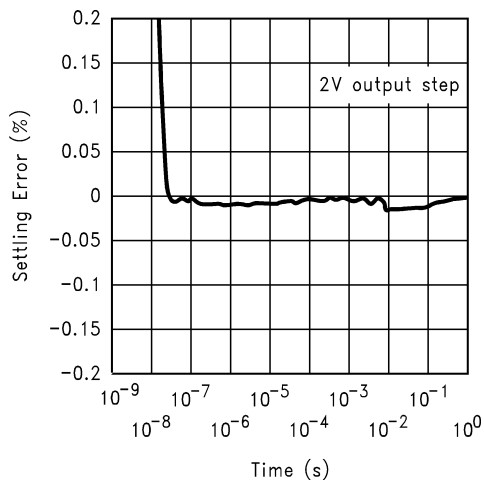
DS012711-20

Short Term Settling Time



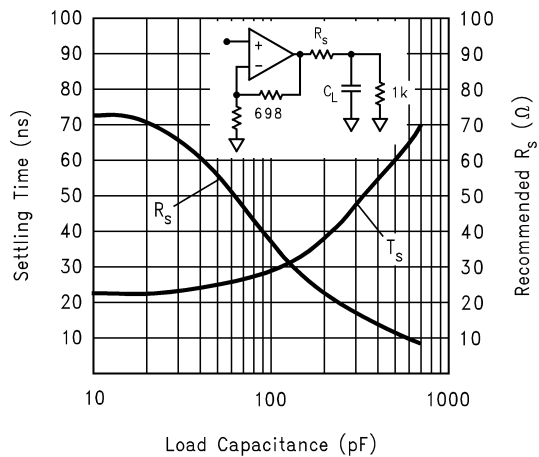
DS012711-21

Long Term Settling Time



DS012711-22

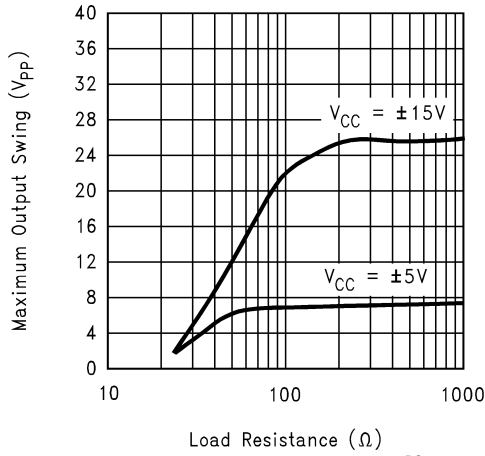
Settling Time vs. Capacitive Load



DS012711-23

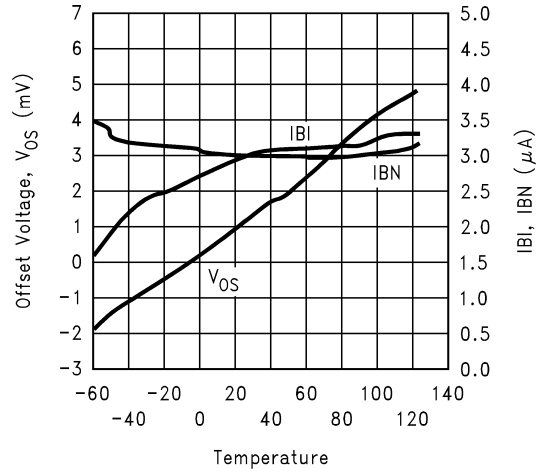
Typical Performance Characteristics ($V_{CC} = \pm 15V$, $A_V = +2V/V$, $R_f = 640\Omega$, $R_L = 100\Omega$; Unless Specified)) (Continued)

Output Voltage Swing vs. Load Resistance



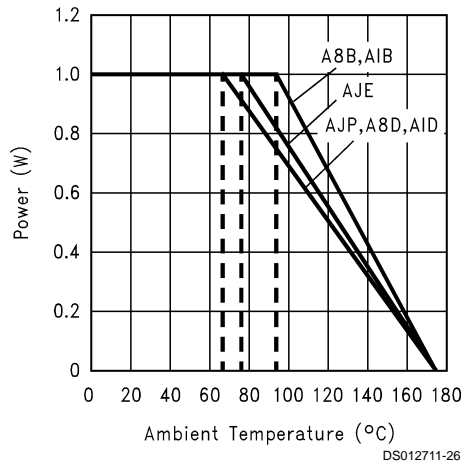
DS012711-24

Typical IBI, IBN, VOS vs. Temperature



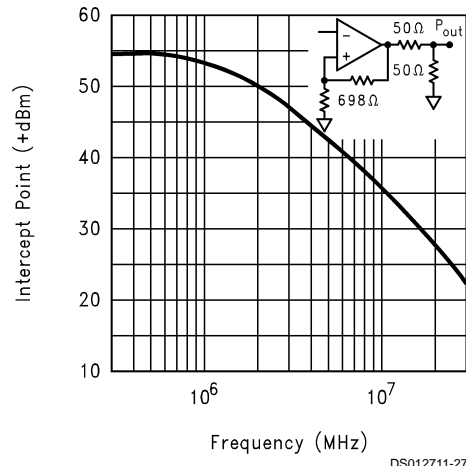
DS012711-25

Power Derating Curves



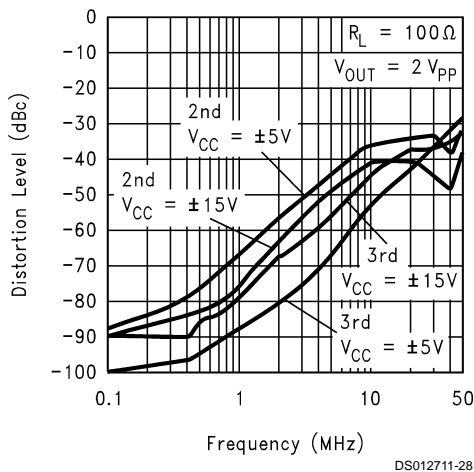
DS012711-26

2-Tone, 3rd Order Intermodulation Intercept



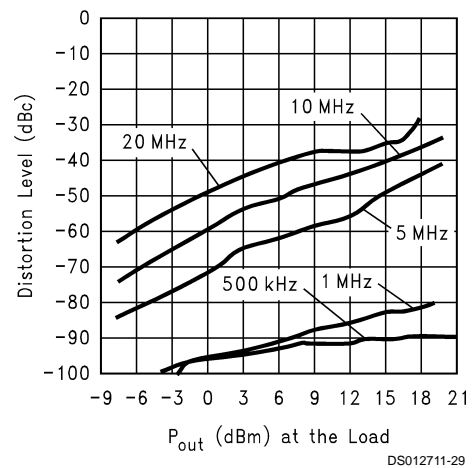
DS012711-27

Harmonic Distortion vs. Frequency



DS012711-28

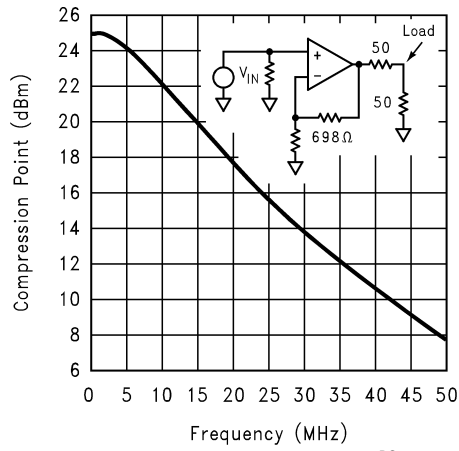
3rd Harmonic Distortion vs. P_{OUT}



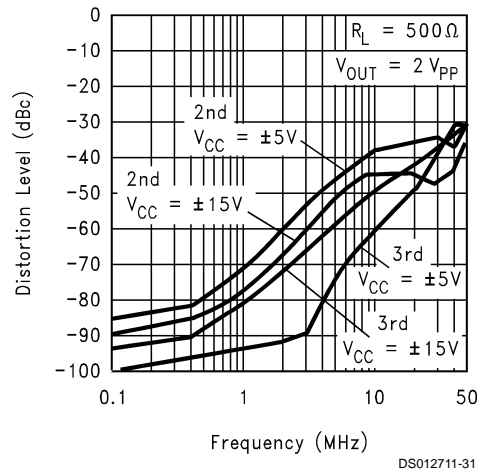
DS012711-29

Typical Performance Characteristics ($V_{CC} = \pm 15V$, $A_V = +2V/V$, $R_f = 640\Omega$, $R_L = 100\Omega$; Unless Specified)) (Continued)

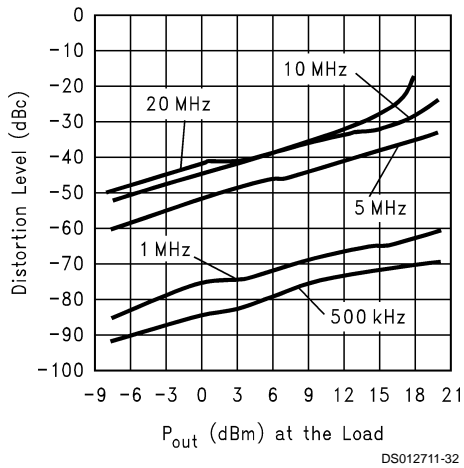
-1dB Compression to Load



Harmonic Distortion vs. Frequency



2nd Harmonic Distortion vs. P_{OUT}



Application Division

General Design Considerations

The CLC430 is a general purpose current-feedback amplifier for use in a variety of small and large signal applications. Use the feedback resistor to fine tune the gain flatness and -3dB bandwidth for any gain setting. National provides information for the performance at a gain of +2 for small and large signal bandwidths. The plots show feedback resistor values for selected gains.

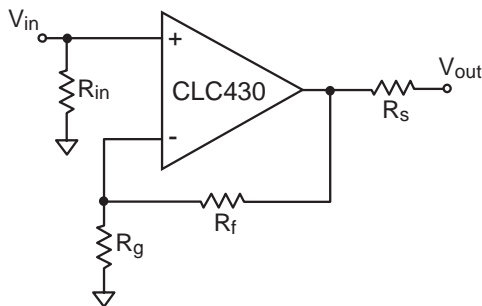
Gain

Use the following equations to set the CLC430's non-inverting or inverting gain:

$$\text{Non-Inverting Gain} = 1 + \frac{R_f}{R_g}$$

$$\text{Inverting Gain} = -\frac{R_f}{R_g}$$

Choose the resistor values for non-inverting or inverting gain by the following steps.



DS012711-34

FIGURE 1. Component Identification

- 1) Select the recommended feedback resistor R_f (refer to plot in the plot section entitled R_f vs. Gain).
- 2) Choose the value of R_g to set gain.
- 3) Select R_s to set the circuit output impedance.
- 4) Select R_{in} for input impedance and input bias.

High Gains

Current feedback closed-loop bandwidth is independent of gain-bandwidth-product for small gain changes. For larger gain changes the optimum feedback resistor R_f is derived by the following:

$$R_f = 724\Omega - 60\Omega \times (A_v)$$

As gain is increased, the feedback resistor allows bandwidth to be held constant over a wide gain range. For a more complete explanation refer to application note OA-25 Stability Analysis of Current-Feedback Amplifiers.

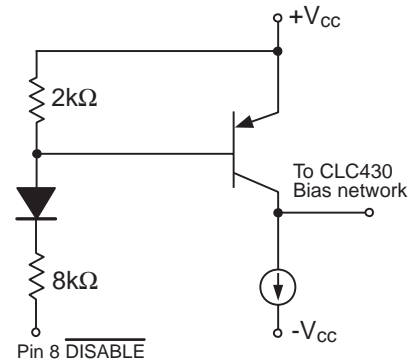
Resistors have varying parasitics that affect circuit performance in high speed design. For best results, use leaded metal-film resistors or surface mount resistors. A SPICE model for the CLC430 is available to simulate overall circuit performance.

Enable/Disable Function

The CLC430 amplifier features an enable/disable function that changes the output and inverting input from low to high impedance. The pin 8 enable/disable logic levels are as follows:

V_{CC}	$\pm 15V$	$\pm 5V$
Enable	$> 12.7V$	$> 2.7V$
Disable	$< 10.0V$	< 0.08

The amplifier is enabled with pin 8 left open due to the 2k Ω pull-up resistor, shown in Figure 2.

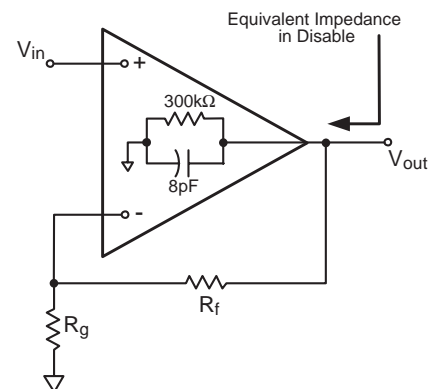


DS012711-35

FIGURE 2. Pin 8 Equivalent Disable Circuit

Open-collector or CMOS interfaces are recommended to drive pin 8. The turn on and off time depends on the speed of the digital interface.

The equivalent output impedance when disabled is shown in Figure 3. With R_g connected to ground, the sum of R_f and R_g dominates and reduces the disabled output impedance. To raise the output impedance in the disabled state, connect the CLC430 as a unity-gain voltage follower by removing R_g . Current-feedback op-amps need the recommended R_f in a unity-gain follower circuit. For high density circuit layouts consider using the dual CLC431 (with disable) or the dual CLC432 (without disable).



DS012711-36

FIGURE 3. Equivalent Disabled Output Impedance

2nd and 3rd Harmonic Distortion

To meet low distortion requirements, recognize the effect of the feedback resistor. Increasing the feedback resistor will decrease the loop gain and increase distortion. Decreasing the load impedance increases 3rd harmonic distortion more than 2nd.

Application Division (Continued)

Differential Gain and Differential Phase

The CLC430 has low DG and DP errors for video applications. Add an external pulldown resistor to the CLC430's output to improve DG and DP as seen in *Figure 4*. A 604Ω R_p will improve DG and DP to 0.01% and 0.02°.

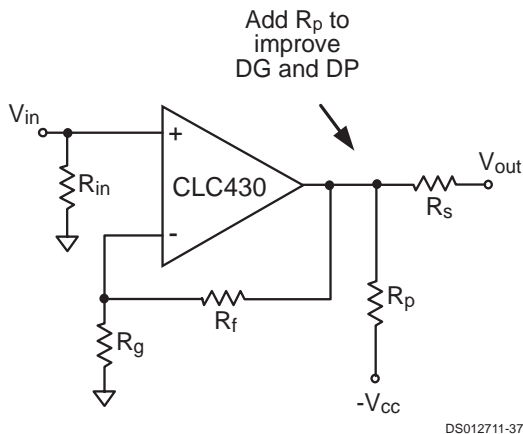


FIGURE 4. Improved DG and DP Video Amplifier

Printed Circuit Layout

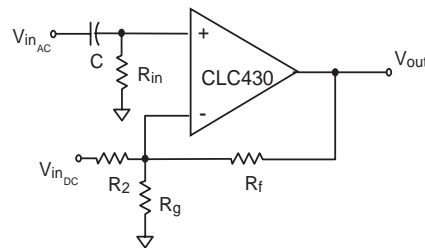
To get the best amplifier performance careful placement of the amplifier, components and printed circuit traces must be observed. Place the 0.1μF ceramic decoupling capacitors less than 0.1" (3mm) from the power supply pins. Place the 6.8μF tantalum capacitors less than 0.75" (20mm) from the power supply pins. Shorten traces between the inverting pin and components to less than 0.25" (6mm). Clear ground plane 0.1" (3mm) away from pads and traces that connect to the inverting, non-inverting and output pins. Do not place ground or power plane beneath the op-amp package. National provides literature and evaluation boards 730013 DIP or 730027 SOIC illustrating the recommended op-amp layout.

Applications Circuits

Level Shifting

The circuit shown in *Figure 5* implements level shifting by AC coupling the input signal and summing a DC voltage. The resistor R_{in} and the capacitor C set the high-pass break frequency. The amplifier closed-loop bandwidth is fixed by the selection of R_f . The DC and AC gains for circuit of *Figure 5* are different. The AC gain is set by the ratio of R_f and R_g . And the DC gain is set by the parallel combination of R_g and R_2 .

$$V_{out} = V_{in_{ac}} \left(1 + \left(\frac{R_f}{R_g \parallel R_2} \right) \right) - V_{in_{dc}} \left(\frac{R_f}{R_2} \right)$$

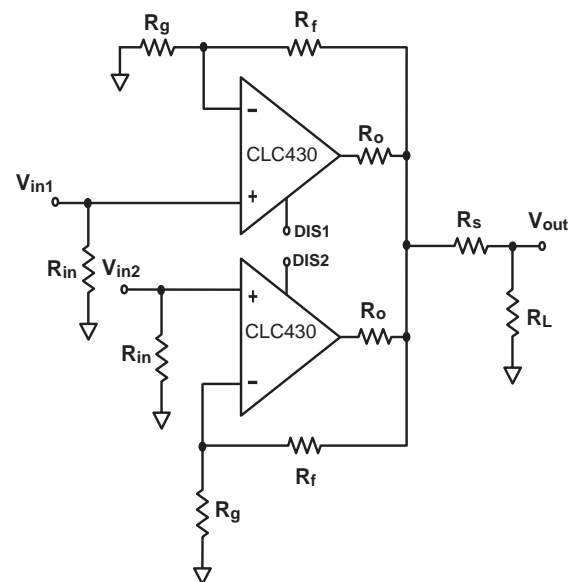


DS012711-38

FIGURE 5. Level Shifting Circuit

Multiplexing

Multiple signal switching is easily handled with the disable function of the CLC430. Board trace capacitance at the output pin will affect the frequency response and switching transients. To lessen the effects of output capacitance place a resistor (R_o) within the feedback loop to isolate the outputs as shown in *Figure 6*. To match the mux output impedance to a transmission line, add a resistor (R_s) in series with the output.



DS012711-39

FIGURE 6. Output Connection

Application Division (Continued)

Automatic Gain Control

Current-feedback amplifiers can implement very fast automatic-gain control circuits. The circuit shown in *Figure 7* shows an AGC circuit using the CLC430, a half-wave rectifier, an integrator and a FET. The CLC430 current-feedback amplifier maintains constant bandwidth and linear phase over AGC's gain range. This circuit effectively controls the output level for continuous signals.

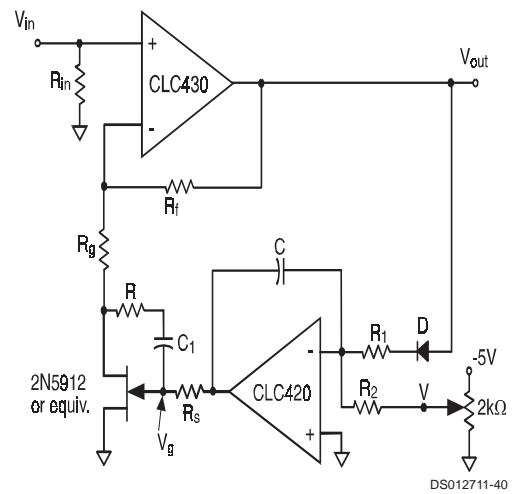


FIGURE 7. AGC Circuit

The bandwidth of CLC430 AGC is limited by R_f , the feedback resistor. The FET gate voltage is limited to a range of:

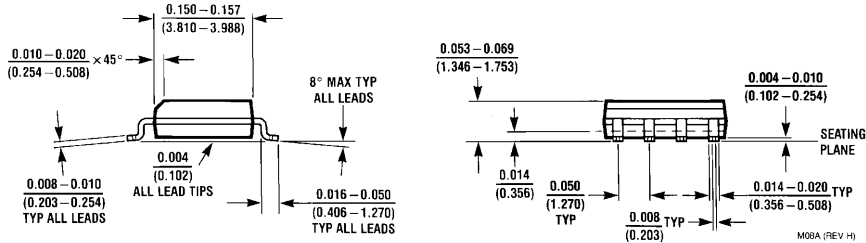
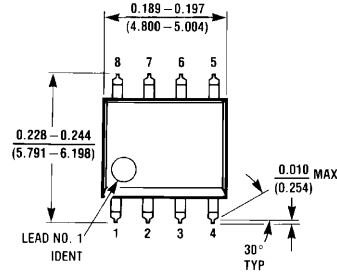
$$-2.5 < V_g < -1$$

R of 750Ω and C_1 of $1.0\mu\text{F}$ gives a useful R_{ds} range of approximately 150 to $2\text{k}\Omega$. Scaling the integrator gain or adding attenuation before the diode D accommodates large signal swings. Determine the overall gain by:

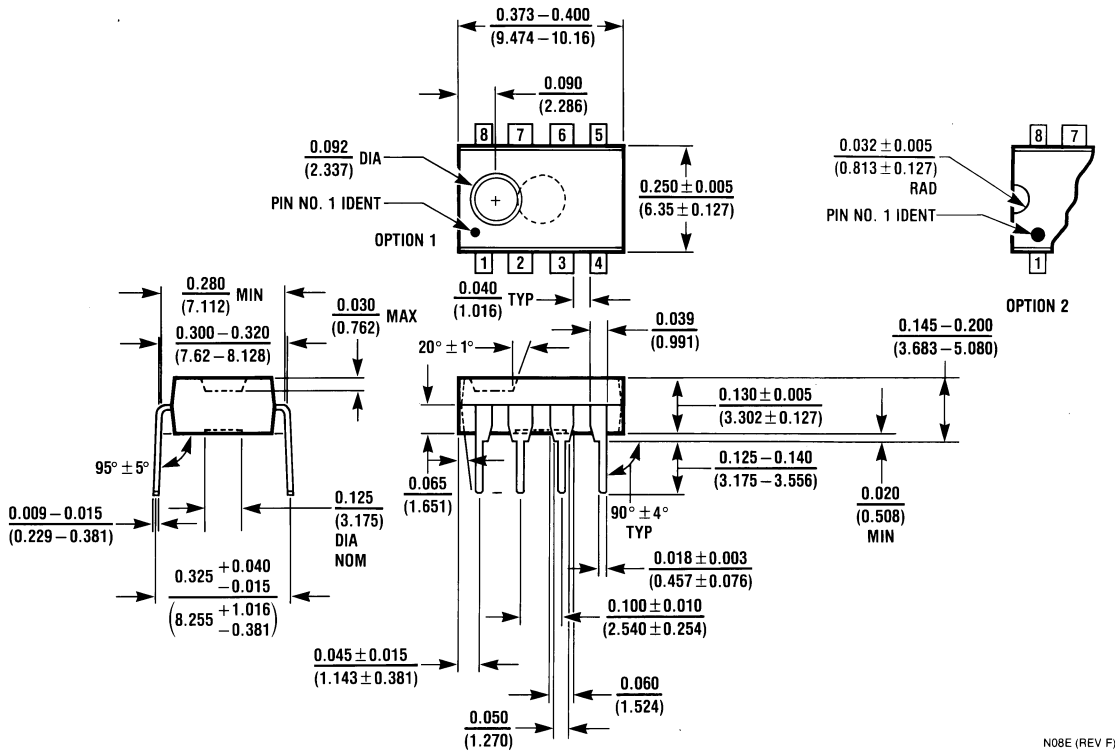
$$1 + \frac{R_f}{R_g + R_{ds}}$$

The integrator sets the loop time constant.

Physical Dimensions inches (millimeters) unless otherwise noted



8-Pin SOIC
NS Package Number M08A



8-Pin MDIP
NS Product Number N08E

Notes

LIFE SUPPORT POLICY

NATIONAL'S PRODUCTS ARE NOT AUTHORIZED FOR USE AS CRITICAL COMPONENTS IN LIFE SUPPORT DEVICES OR SYSTEMS WITHOUT THE EXPRESS WRITTEN APPROVAL OF THE PRESIDENT AND GENERAL COUNSEL OF NATIONAL SEMICONDUCTOR CORPORATION. As used herein:

1. Life support devices or systems are devices or systems which, (a) are intended for surgical implant into the body, or (b) support or sustain life, and whose failure to perform when properly used in accordance with instructions for use provided in the labeling, can be reasonably expected to result in a significant injury to the user.
2. A critical component is any component of a life support device or system whose failure to perform can be reasonably expected to cause the failure of the life support device or system, or to affect its safety or effectiveness.



National Semiconductor Corporation
Americas
Tel: 1-800-272-9959
Fax: 1-800-737-7018
Email: support@nsc.com
www.national.com

National Semiconductor Europe
Fax: +49 (0) 180-530 85 86
Email: europe.support@nsc.com
Deutsch Tel: +49 (0) 69 9508 6208
English Tel: +44 (0) 870 24 0 2171
Français Tel: +33 (0) 1 41 91 8790

National Semiconductor Asia Pacific Customer Response Group
Tel: 65-2544466
Fax: 65-2504466
Email: ap.support@nsc.com

National Semiconductor Japan Ltd.
Tel: 81-3-5639-7560
Fax: 81-3-5639-7507

IMPORTANT NOTICE

Texas Instruments Incorporated and its subsidiaries (TI) reserve the right to make corrections, modifications, enhancements, improvements, and other changes to its products and services at any time and to discontinue any product or service without notice. Customers should obtain the latest relevant information before placing orders and should verify that such information is current and complete. All products are sold subject to TI's terms and conditions of sale supplied at the time of order acknowledgment.

TI warrants performance of its hardware products to the specifications applicable at the time of sale in accordance with TI's standard warranty. Testing and other quality control techniques are used to the extent TI deems necessary to support this warranty. Except where mandated by government requirements, testing of all parameters of each product is not necessarily performed.

TI assumes no liability for applications assistance or customer product design. Customers are responsible for their products and applications using TI components. To minimize the risks associated with customer products and applications, customers should provide adequate design and operating safeguards.

TI does not warrant or represent that any license, either express or implied, is granted under any TI patent right, copyright, mask work right, or other TI intellectual property right relating to any combination, machine, or process in which TI products or services are used. Information published by TI regarding third-party products or services does not constitute a license from TI to use such products or services or a warranty or endorsement thereof. Use of such information may require a license from a third party under the patents or other intellectual property of the third party, or a license from TI under the patents or other intellectual property of TI.

Reproduction of TI information in TI data books or data sheets is permissible only if reproduction is without alteration and is accompanied by all associated warranties, conditions, limitations, and notices. Reproduction of this information with alteration is an unfair and deceptive business practice. TI is not responsible or liable for such altered documentation. Information of third parties may be subject to additional restrictions.

Resale of TI products or services with statements different from or beyond the parameters stated by TI for that product or service voids all express and any implied warranties for the associated TI product or service and is an unfair and deceptive business practice. TI is not responsible or liable for any such statements.

TI products are not authorized for use in safety-critical applications (such as life support) where a failure of the TI product would reasonably be expected to cause severe personal injury or death, unless officers of the parties have executed an agreement specifically governing such use. Buyers represent that they have all necessary expertise in the safety and regulatory ramifications of their applications, and acknowledge and agree that they are solely responsible for all legal, regulatory and safety-related requirements concerning their products and any use of TI products in such safety-critical applications, notwithstanding any applications-related information or support that may be provided by TI. Further, Buyers must fully indemnify TI and its representatives against any damages arising out of the use of TI products in such safety-critical applications.

TI products are neither designed nor intended for use in military/aerospace applications or environments unless the TI products are specifically designated by TI as military-grade or "enhanced plastic." Only products designated by TI as military-grade meet military specifications. Buyers acknowledge and agree that any such use of TI products which TI has not designated as military-grade is solely at the Buyer's risk, and that they are solely responsible for compliance with all legal and regulatory requirements in connection with such use.

TI products are neither designed nor intended for use in automotive applications or environments unless the specific TI products are designated by TI as compliant with ISO/TS 16949 requirements. Buyers acknowledge and agree that, if they use any non-designated products in automotive applications, TI will not be responsible for any failure to meet such requirements.

Following are URLs where you can obtain information on other Texas Instruments products and application solutions:

Products

Audio	www.ti.com/audio
Amplifiers	amplifier.ti.com
Data Converters	dataconverter.ti.com
DLP® Products	www.dlp.com
DSP	dsp.ti.com
Clocks and Timers	www.ti.com/clocks
Interface	interface.ti.com
Logic	logic.ti.com
Power Mgmt	power.ti.com
Microcontrollers	microcontroller.ti.com
RFID	www.ti-rfid.com
OMAP Mobile Processors	www.ti.com/omap
Wireless Connectivity	www.ti.com/wirelessconnectivity

Applications

Communications and Telecom	www.ti.com/communications
Computers and Peripherals	www.ti.com/computers
Consumer Electronics	www.ti.com/consumer-apps
Energy and Lighting	www.ti.com/energy
Industrial	www.ti.com/industrial
Medical	www.ti.com/medical
Security	www.ti.com/security
Space, Avionics and Defense	www.ti.com/space-avionics-defense
Transportation and Automotive	www.ti.com/automotive
Video and Imaging	www.ti.com/video

TI E2E Community Home Page

e2e.ti.com

Mailing Address: Texas Instruments, Post Office Box 655303, Dallas, Texas 75265
Copyright © 2011, Texas Instruments Incorporated