

CLC532

CLC532 High Speed 2:1 Analog Multiplexer



Literature Number: SNOS828A

CLC532

High Speed 2:1 Analog Multiplexer

General Description

The CLC532 is a high speed 2:1 multiplexer with active input and output stages. The CLC532 innovative design employs a closed loop design which dramatically improves accuracy. This monolithic device is constructed using an advanced high performance bipolar process.

The CLC532 has been specifically designed to provide settling times of 17ns to 0.01%. Fast settling time, coupled with the adjustable bandwidth, and channel-to-channel isolation is better than 80dB @10MHz. Low distortion (-80dBc) makes the CLC532 an ideal choice for infrared and CCD imaging systems and spurious signal levels make the CLC532 a very suitable choice for both I/Q processors and receivers.

The CLC532 is offered in two industrial versions, CLC532AJP/AJE, specified from -40°C to +85°C and packaged in 14-pin plastic DIP/14-pin and SOIC packages.

Enhanced Solutions (Military/Aerospace)

SMD Number: 5962-92035

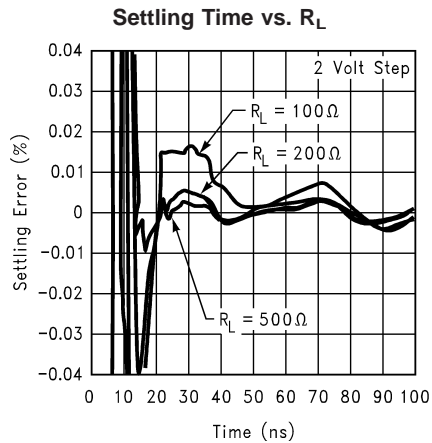
*Space level versions also available.

*For more information, visit <http://www.national.com/mil>

- Adjustable bandwidth-190MHz(max)

Applications

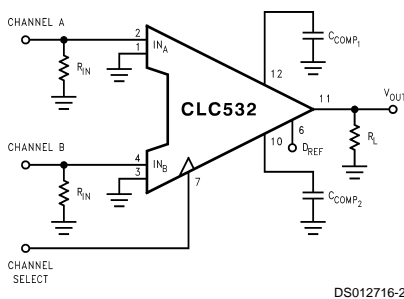
- Infrared system multiplexing
- CCD sensor signals
- Radar I/Q switching
- High definition video HDTV
- Test and calibration



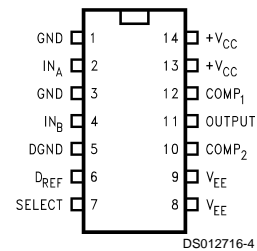
Features

- 17ns 12-bit settling time to .01%
- Low noise - 32µVrms
- High isolation - 80dB @ 10MHz
- Low distortion - 80dBc @ 5MHz

Typical Application



Connection Diagram



Pinout
DIP & SOIC

Ordering Information

Package	Temperature Range Industrial	Part Number	Package Marking	NSC Drawing
14-Pin Plastic DIP	-40°C to +85°C	CLC532AJP	CLC532AJP	N14E
14-Pin Plastic SOIC	-40°C to +85°C	CLC532AJE	CLC532AJE	M14A

Absolute Maximum Ratings (Note 1)

If Military/Aerospace specified devices are required, please contact the National Semiconductor Sales Office/Distributors for availability and specifications.

Positive Supply Voltage (+V _{CC})	-0.5V to +7.0V
Negative Supply Voltage (-V _{EE})	+0.5V to -7.0V
Differential Voltage between any two GND's	200mV
Analog Input Voltage Range	-V _{EE} to +V _{CC}
Digital Input Voltage Range	-V _{EE} to +V _{CC}
Output Short Circuit Duration (Output Shorted to GND)	Infinite
Operating Temperature Range	-40°C to +85°C
Storage Temperature Range	-65°C to +150°C
Lead Solder Duration (+300°C)	10 sec
ESD Rating	<500V

Operating Ratings

Positive Supply Voltage (+V _{CC})	+5V
Negative Supply Voltage (-V _{EE})	-5.2V or -5.0V
Differential Voltage between any two GDN's	10mV
Analog Input Voltage Range	±2V
SELECT Input Voltage Range (TTL Mode)	0.0V to +3.0V
SELECT Input Voltage Range (ECL Mode)	-2.0V to 0.0V
C _{COMP} Range (Note 3)	5pF to 100pF
Thermal Resistance (θ _{JC})	
MDIP	55°C/W
SOIC	35°C/W
Thermal Resistance (θ _{JA})	
MDIP	100°C/W
SOIC	105°C/W

Electrical Characteristics

(+V_{CC} = +5.0V; -V_{EE} = -5.2V; R_{IN} = 50Ω; R_L = 500Ω; C_{COMP} = 10pF; ECL Mode, pin 6 = NC)

Symbol	Parameter	Conditions	Typ	Max/Min Ratings (Note 2)				Units
				-40°C	+25°C	+85°C		
Case Temperature		CLC532AJP/AJE	+25°C	-40°C	+25°C	+85°C		
Frequency Domain Response								
SSBW	-3dB Bandwidth	V _{OUT} < 0.1V _{PP}	190	140	140	110	MHz	
LSBW		V _{OUT} = 2V _{PP}	45	35	35	30	MHz	
	Gain Flatness	V _{OUT} < 0.1V _{PP}						
GFP	Peaking	0.1MHz to 200MHz	0.2	0.7	0.7	0.8	dB	
GFR	Rolloff	0.1MHz to 100MHz	1.0	1.8	1.8	2.6	dB	
LPD	Linear Phase Deviation	DC to 100MHz	2.0				deg	
DG	Differential Gain	C _{COMP} = 5pF; R _L = 150Ω	0.05				%	
DP	Differential Phase	C _{COMP} = 5pF; R _L = 150Ω	0.01				deg	
CT10	Crosstalk Rejection	2V _{PP} , 10MHz	80	75	75	74	dB	
CT20		2V _{PP} , 20MHz	74	69	69	68	dB	
CT30		2V _{PP} , 30MHz	68	63	63	62	dB	
Time Domain Performance								
TRS	Rise and Fall Time	0.5V Step	2.7	3.3	3.3	3.8	ns	
TRL		2V Step	10	12.5	12.5	14.5	ns	
TS14	Settling Time 2V Step; from 50% V _{OUT}	±0.0025%	35				ns	
TSP		±0.01%	17	24	24	27	ns	
TSS		±0.1%	13	18	18	21	ns	
OS	Overshoot	2.0V Step	2	5	5	6	%	
SR	Slew Rate		160	130	130	110	V/μs	
Switch Performance								
SWT10	Channel to Channel Switching Time (2V Step at Output)	50% SELECT to 10% V _{OUT}	5	7	7	8	ns	
SWT90		50% SELECT to 90% V _{OUT}	15	20	20	23	ns	
ST	Switching Transient		30				mV	
Distortion And Noise Performance								
HD2	2nd Harmonic Distortion	2V _{PP} , 5MHz	80	67	67	67	dBc	
HD3	3rd Harmonic Distortion	2V _{PP} , 5MHz	86	68	68	68	dBc	
	Equivalent Input Noise							
SNF	Spot Noise Voltage	>1MHz	3.1				nV/ √Hz	

Electrical Characteristics (Continued)

($+V_{CC} = +5.0V$; $-V_{EE} = -5.2V$; $R_{IN} = 50\Omega$; $R_L = 500\Omega$; $C_{COMP} = 10pF$; ECL Mode, pin 6 = NC)

Symbol	Parameter	Conditions	Typ	Max/Min Ratings (Note 2)				Units
Distortion And Noise Performance								
INV	Integrated Noise	1MHz to 100MHz	32	42	42	46	μV_{rms}	
SNC	Spot Noise Current		3				$\frac{\mu A}{\sqrt{Hz}}$	
Static And DC Performance								
VOS	Analog Output Offset Voltage (Note 5)		1	6.5	3.5	5.5	mV	
DVIO	Temperature Coefficient		15	90		20	$\mu V/^{\circ}C$	
VOSM	Analog Output Voltage Matching		TBD				mV	
IBN	Analog Input Bias Current		50	250	120	120	μA	
DIBN	Temperature Coefficient		0.3	2.0		0.8	$\mu A/^{\circ}C$	
IBNM	Analog Input Bias Current Matching (Note 5)		TBD				μA	
RIN	Analog Input Resistance		200	90	120	120	$k\Omega$	
CIN	Analog Input Capacitance		2	3.0	2.5	2.5	pF	
GA	Gain Accuracy (Note 5)	$\pm 2V$	0.998	0.998	0.998	0.998	V/V	
GAM	Gain Matching	$\pm 2V$	TBD				V/V	
ILIN	Integral Endpoint Non-Linearity	$\pm 1V$ (Full Scale)	0.02	0.05	0.03	0.03	%FS	
VO	Output Voltage	No Load	± 3.4	2.4	2.8	2.8	V	
IO	Output Current		45	20	30	30	mA	
RO	Output Resistance	DC	1.5	4.0	2.5	2.5	Ω	
Digital Input Performance								
ECL Mode (Pin 6 Floating)								
VIH1	Input Voltage Logic HIGH			-1.1	-1.1	-1.1	V	
VIL1	Input Voltage Logic LOW			-1.5	-1.5	-1.5	V	
IIH1	Input Current Logic HIGH		14	50	30	30	μA	
IIL1	Input Current Logic LOW		50	270	110	110	μA	
TTL Mode (pin 6 = +5V)								
VIH2	Input Voltage Logic HIGH			2.0	2.0	2.0	V	
VIL2	Input Voltage Logic LOW			0.8	0.8	0.8	V	
IIH2	Input Current Logic HIGH		14	50	30	30	μA	
IIL2	Input Current Logic LOW		50	270	110	110	μA	
Power Requirements								
ICC	Supply Current ($+V_{CC} = +5.0V$) (Note 5)	No Load	23	30	28	25	mA	
IEE	Supply Current ($-V_{EE} = -5.2V$) (Note 5)	No Load	24	31	30	26	mA	
PD	Nominal Power Dissipation	No Load	240				mW	
PSRR	Power Supply Rejection Ratio (Note 5)		73	60	64	64	dB	

Note 1: "Absolute Maximum Ratings" are those values beyond which the safety of the device cannot be guaranteed. They are not meant to imply that the devices should be operated at these limits. The table of "Electrical Characteristics" specifies conditions of device operation.

Note 2: Min/max ratings are based on product characterization and simulation. Individual parameters are tested as noted. Outgoing quality levels are determined from tested parameters.

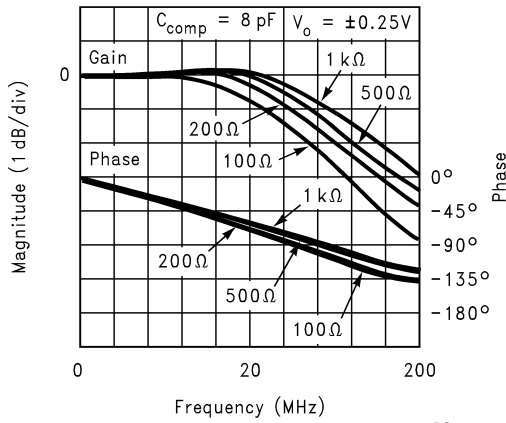
Note 3: The CLC532 does not require external C_{COMP} capacitors for proper operation.

Note 4: Absolute maximum ratings are limiting values, to be applied individually, and beyond which the serviceability of the circuit maybe impaired. functional operability under any of these conditions is not necessarily implied. Exposure to maximum ratings for extended periods may affect device reliability.

Note 5: AJ: 100% tested at $+25^{\circ}C$, sample tested at $+85^{\circ}C$

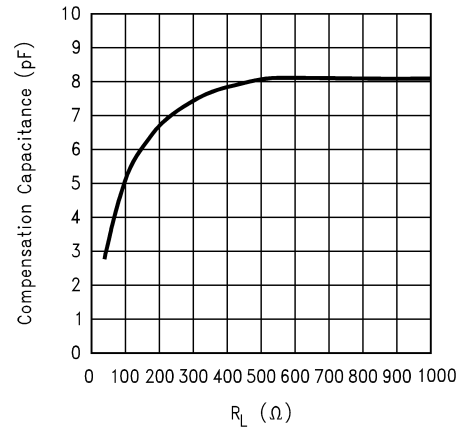
Typical Performance Characteristics (+25°C unless otherwise specified)

Small Signal/Phase vs. Load



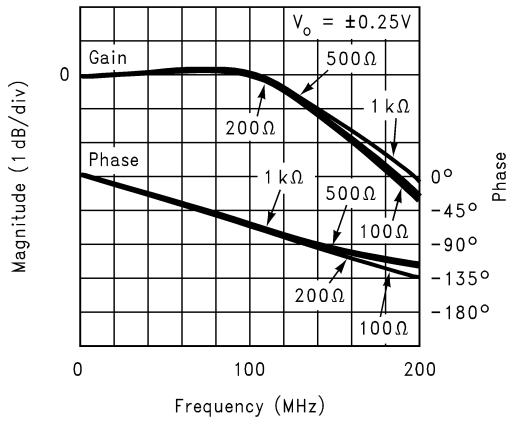
DS012716-5

Recommended compensation Capacitance vs. Load



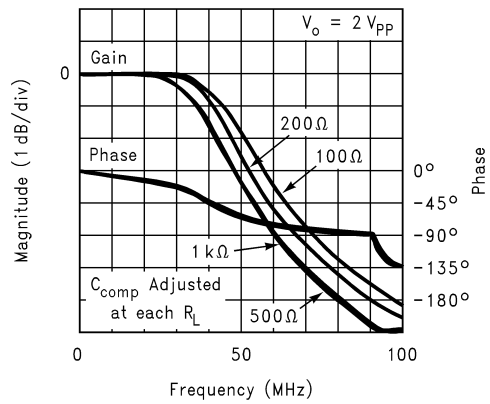
DS012716-6

Small Signal Gain/Phase vs. Load with Recommended C_{COMP}



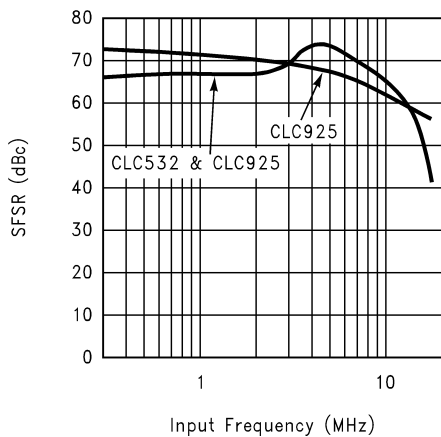
DS012716-7

Large Signal Frequency Response vs. Load



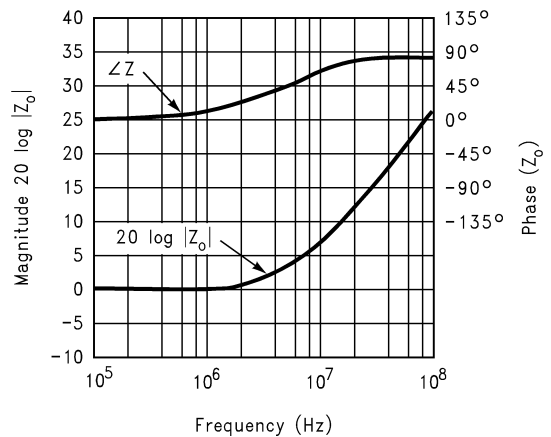
DS012716-8

SFRD vs. Input Frequency



DS012716-9

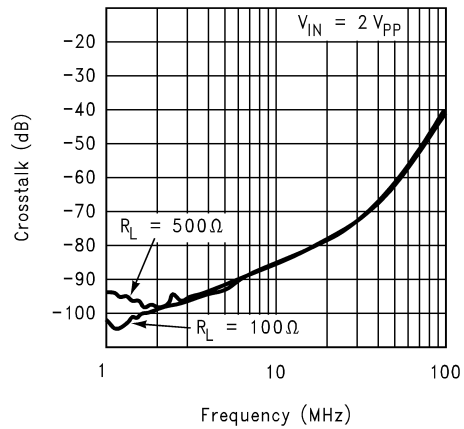
Output Impedance



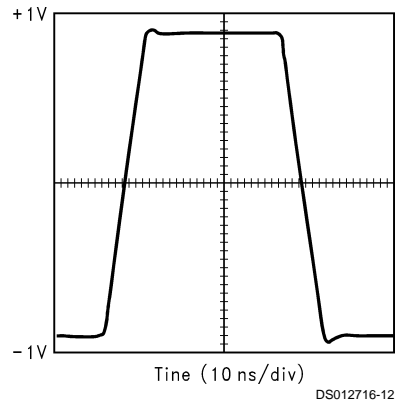
DS012716-10

Typical Performance Characteristics (+25°C unless otherwise specified) (Continued)

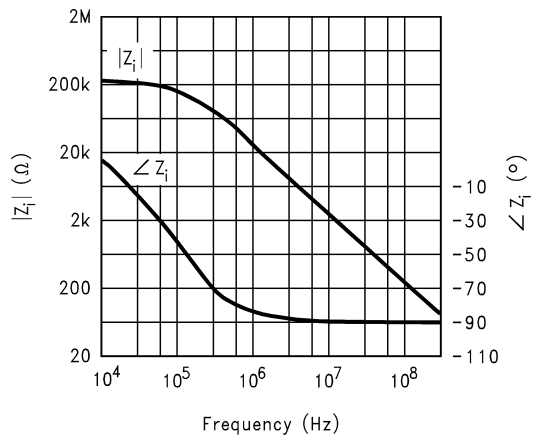
Channel to Channel Crosstalk



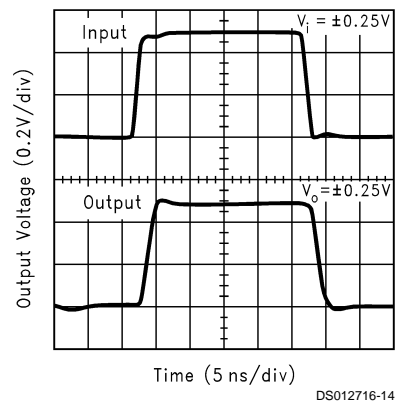
Digitized Pulse Response



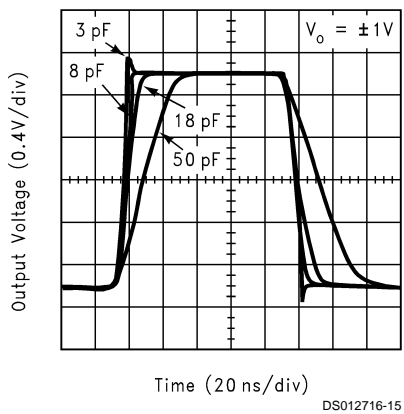
Input Impedance



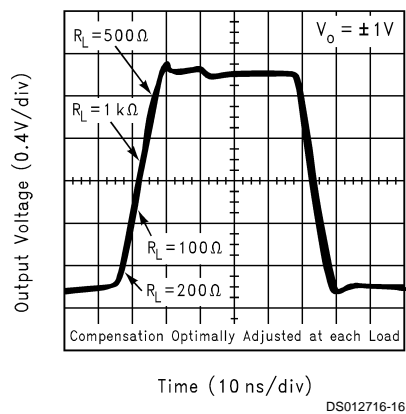
Small Signal Pulse Response



Large Signal Pulse Response vs. C_{comp}

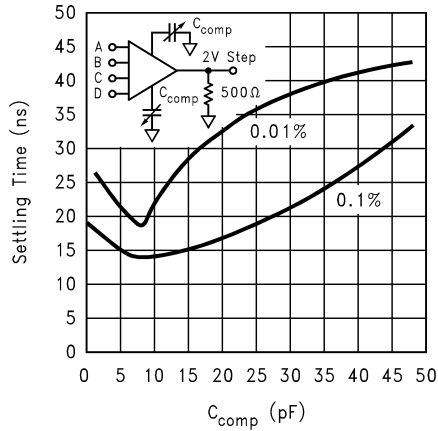


Large Signal Pulse Response vs. R_L

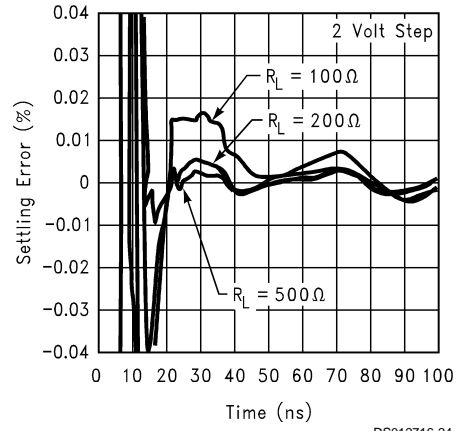


Typical Performance Characteristics (+25°C unless otherwise specified) (Continued)

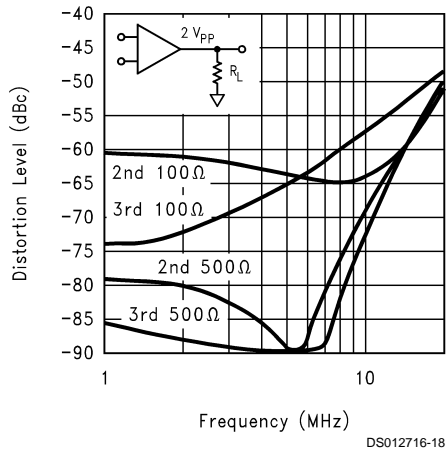
Settling Time vs C_{comp}



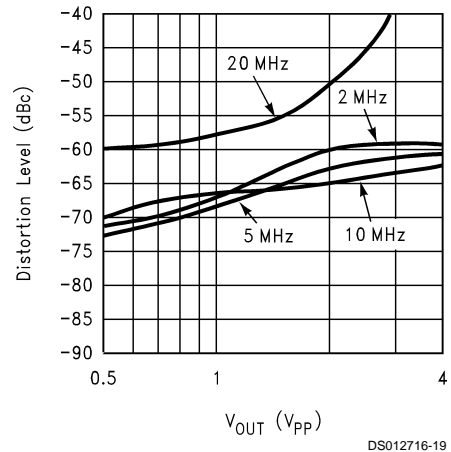
Settling Time vs R_L



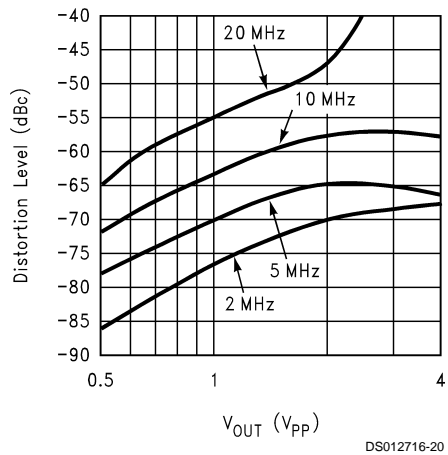
2nd and 3rd Harmonic Distortion



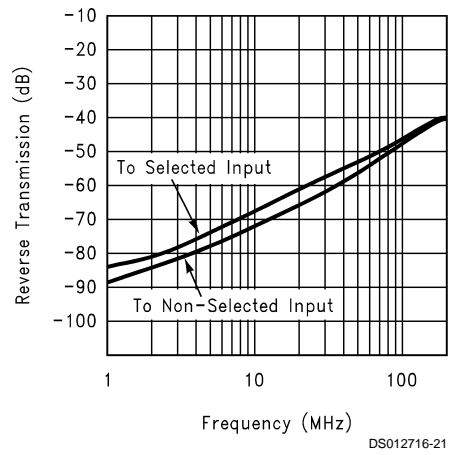
2nd Harmonic Distortion vs. V_{OUT} ; $R_L = 100\Omega$



3rd Harmonic Distortion vs. V_{OUT} ; $R_L = 100\Omega$

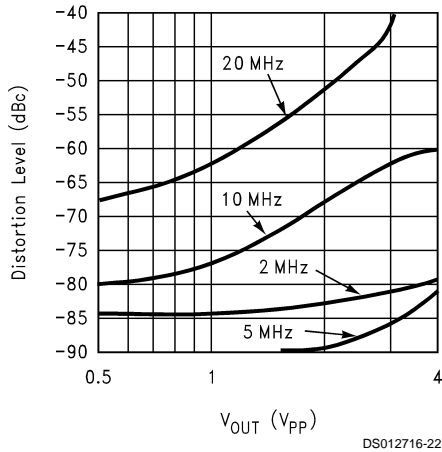


Reverse Transmission (S_{12})

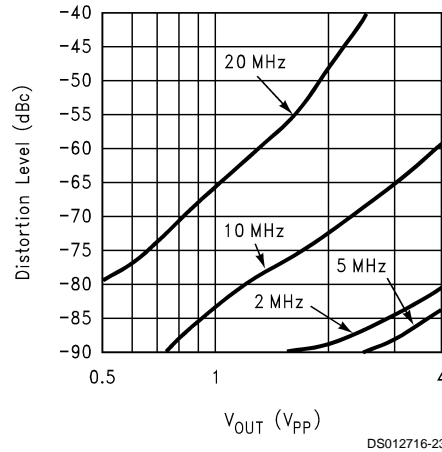


Typical Performance Characteristics (+25°C unless otherwise specified) (Continued)

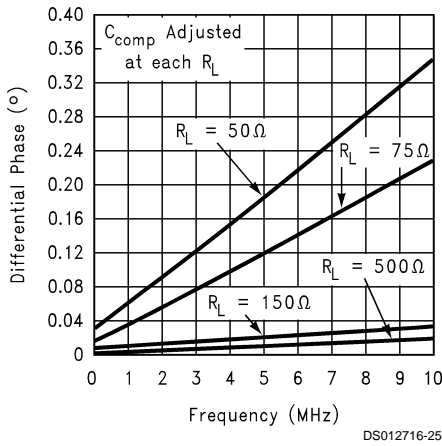
2nd Harmonic Distortion vs. V_{OUT} ; $R_L = 500\Omega$



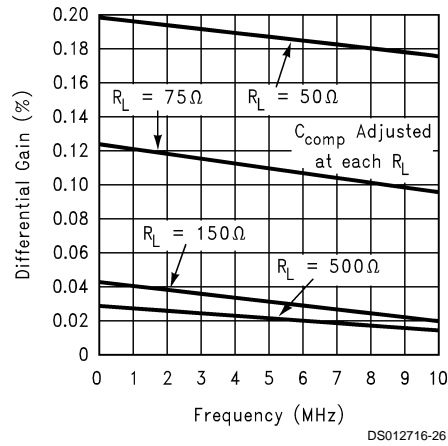
3rd Harmonic Distortion vs. V_{OUT} ; $R_L = 500\Omega$



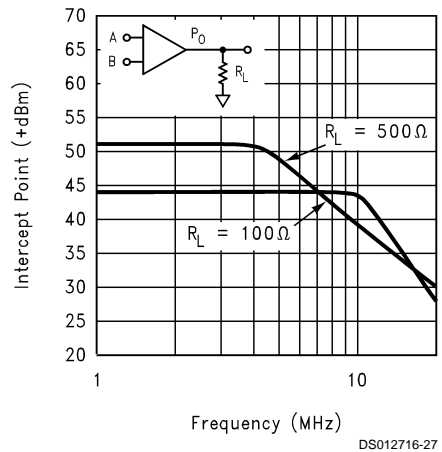
Differential Phase vs. Frequency (Negative Sync)



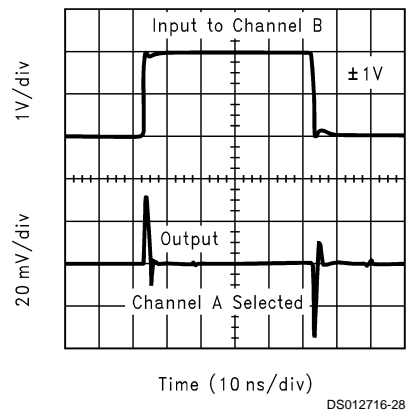
Differential Gain vs. Frequency (Negative Sync)



2-Tone, 3rd Order Intermodulation Intercept

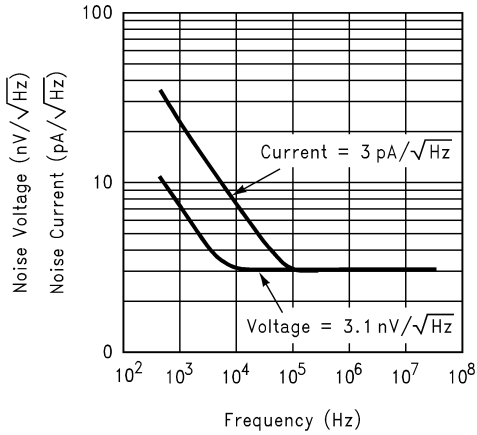


Transient Isolation



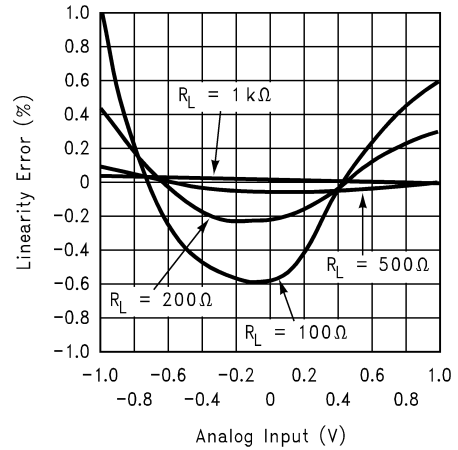
Typical Performance Characteristics (+25°C unless otherwise specified) (Continued)

Equivalent Input Noise



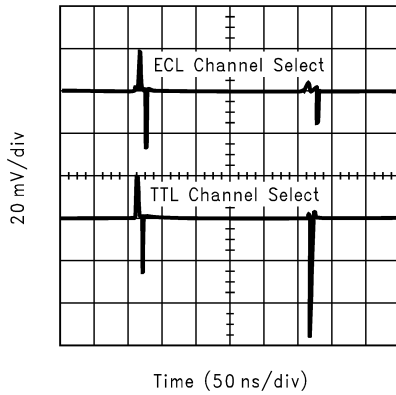
DS012716-29

Integral Linearity Error



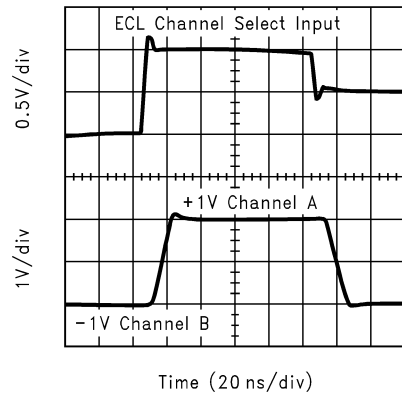
DS012716-30

Switching Transient (Grounded Inputs)



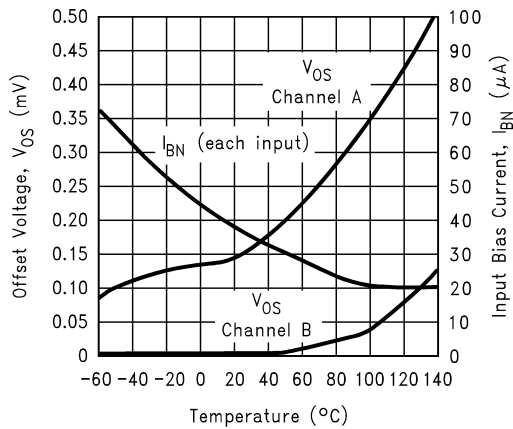
DS012716-31

Large signal Channel-to-Channel Switching



DS012716-32

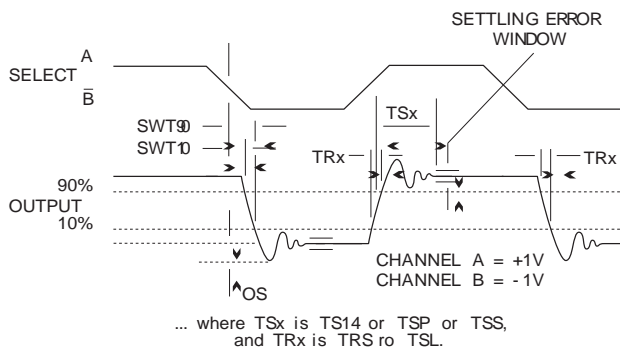
Typical DS Error vs. Temperature



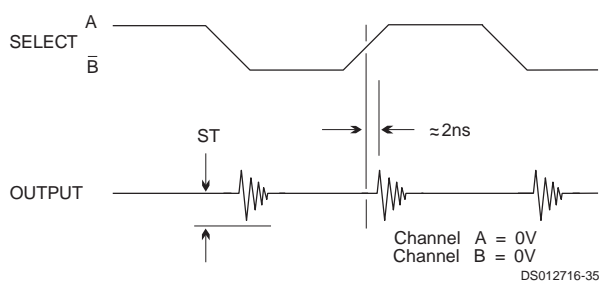
DS012716-33

Application Information

System Timing Diagram



System Transient Timing Diagram



Operation

The CLC532 is a 2:1 analog multiplexer with high impedance buffered inputs, and a low distortion, output stage. The CLC532 employs a closed-loop design, which dramatically improves distortion performance. The channel SELECT control *Figure 1* determines which of the two inputs (IN_A or IN_B) is present at the OUTPUT. Beyond the basic multiplexer function, the CLC532 offers compatibility with either TTL or ECL logic families, as well as adjustable bandwidth.

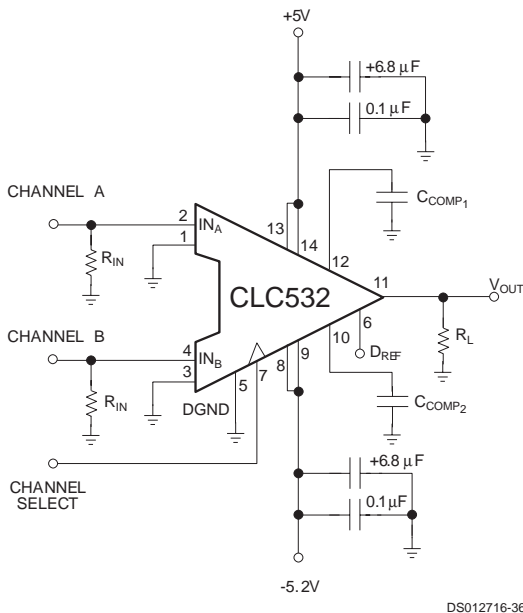


FIGURE 1. Standard CLC532 Circuit Configuration

Digital Interface and Channel SELECT

The CLC532 functions with ECL, TTL and CMOS logic families, D_{REF} controls logic compatibility. In normal operation, D_{REF} is left floating, and the channel SELECT responds to ECL level signals, *Figure 2*. For TTL or CMOS level SELECT inputs (*Figure 3*), D_{REF} should be tied to +5V (the CLC532 incorporates an internal 2300Ω series isolation resistor for the D_{REF} input). For TTL or CMOS operation, the channel SELECT requires a resistor input network to prevent saturation of the channel select circuitry. Without this input network, channel SELECT logic levels above 3V will cause internal junction saturation and slow switching speeds.

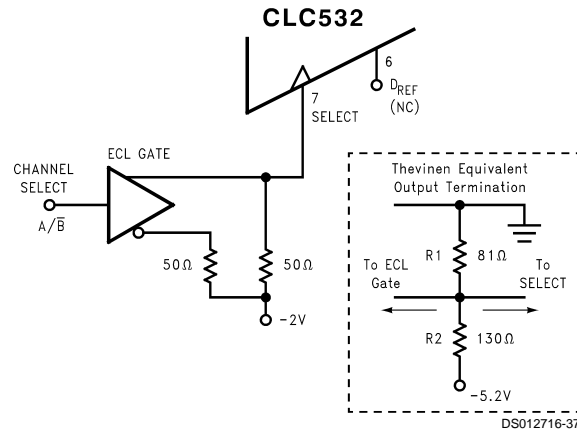


FIGURE 2. ECL Level Channel SELECT Configuration

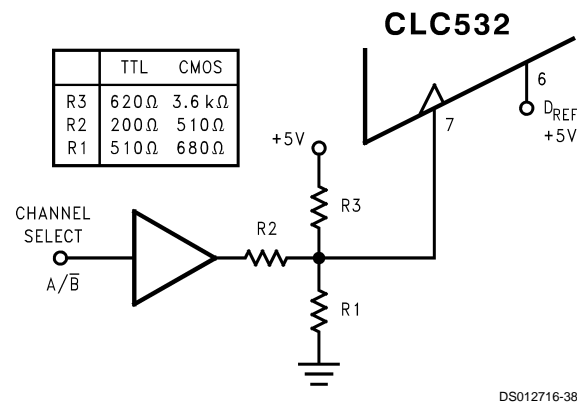


FIGURE 3. TTL/CMOS Level Channel SELECT Configuration

Compensation

The CLC532 incorporates compensation nodes that allow both its bandwidth and its settling time/slew rate to be adjusted. Bandwidth and settling time/slew adjustments are linked, meaning that lowering the bandwidth also lowers slew rate and lengthens settling time. Proper compensation is necessary to optimize system performance. Time domain applications should generally be optimized for lowest RMS noise at the CLC532 output, while maintaining settling time and slew rate at adequate levels to meet system needs. Frequency Domain applications should generally be optimized for maximally flat frequency response.

Application Information (Continued)

Figure 4 below describes the basic relationship between settling time (T_S) and R_S for various values of load capacitance, C_L , where $C_{COMP} = 10\text{pF}$

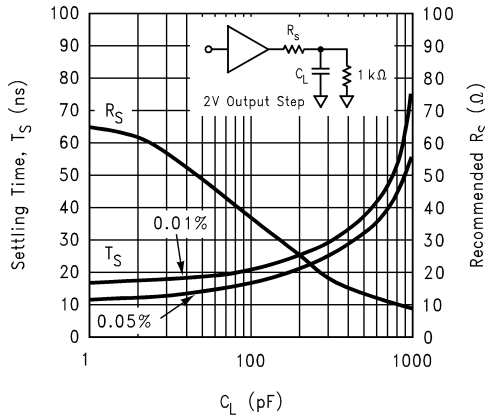


FIGURE 4. Settling Time and R_S vs. C_L

Figure 5 shows the resulting changes in bandwidth and slew rate for increasing values of C_{COMP} . The RMS noise at the CLC532 output can be approximated as:

$$\text{OUTPUT}_{\text{NOISE}_{\text{RMS}}} = (n_v) \sqrt{1.57 * \text{BW}_{-3\text{dB}}}$$

where... n_v = input spot noise voltage;

$\text{BW}_{-3\text{dB}}$ = Bandwidth is from Figure 5.

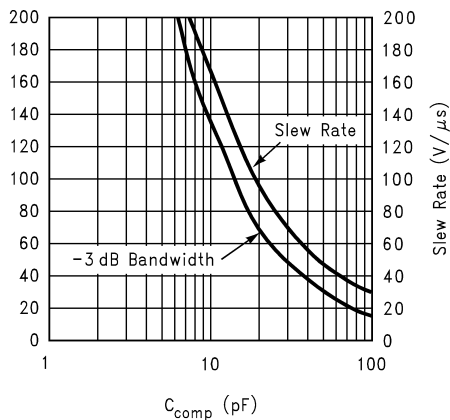


FIGURE 5. C_{COMP} for Maximally Flat Frequency Response

Power Supplies and Grounding

Proper power supply bypassing and grounding is essential to the CLC532's operation. $0.1\mu\text{F}$ to $.1\mu\text{F}$ ceramic chip capacitor should be located very close to the individual power supply pins. Larger $+6.8\mu\text{F}$ tantalum capacitors should be used within a few inches of the CLC532. The ground connections for these larger by-pass capacitors should be symmetrically located relative the CLC532 output load ground connection. Harmonic distortion can be heavily influenced by non-symmetric decoupling capacitor grounding. The smaller chip capacitors located directly at the power supply pins are not particularly susceptible to this effect.

Separation of analog and digital ground planes is not recommended. In most cases, a single low impedance ground

plane will provide the best performance. In those special cases requiring separate ground planes, the following table indicates the signal and supply ground connections.

Pin	Functions	Ground Return
1,3	Shield/Supply Returns	Supplies and Inputs
5	D_{REF} Ground	D_{REF} Currents only

Input Shielding

The CLC532 has been designated for use in high speed wide dynamic range systems. Guarding traces and the use of the ground pins separating the analog inputs are recommended to maintain high isolation (Figure 6). Likely sources of noise and interference that may couple onto the inputs, are the logic signals and power supplies to the CLC532. Other types if clock and signal traces should not be overlooked, however.

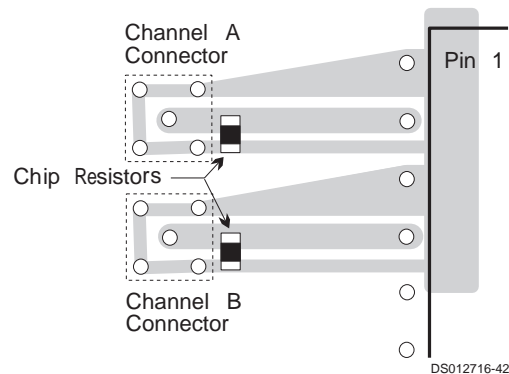


FIGURE 6. Alternate Layout Using Guard Ring

The general rule in maintaining isolation has two facets, minimize the primary return ground current path impedances back to the respective signal sources, while maximizing the impedance associated with common or secondary ground current return paths. Success or failure to optimize input signal isolation can be measured directly as the isolation between the input channels with the CLC532 removed from circuit. The channel-to-channel isolation of the CLC532 can never be better than the isolation level present at its inputs. Special attention must be paid to input termination resistors. Minimizing the return current path that is common to both of the input termination resistors is essential. In the event that a ground return current from one input termination resistor is able to find a secondary path back to its signal source (which also happens to be common with either the primary or secondary return path for the second input termination resistor), a small voltage can appear across the second input termination resistor. The small voltage seen across the second input termination resistor will be highly correlated with the signal generating the initial return currents. This situation will severely degrade channel-to-channel isolation at the input of the CLC532, even if the CLC532 were removed from circuit. Poor isolation at the input will be transmitted directly to the output.

Use of "small" value input termination resistors will also improve channel-to-channel isolation. However, extremely low values ($<25\Omega$) tend to stress the driving source's ability to provide a high-quality input signal to the CLC532. Higher values tend to aggravate any layout dependent crosstalk. 75Ω to 50Ω is a reasonable target, but the lower the better.

Application Information (Continued)

Combining Two Signals in ADC Applications

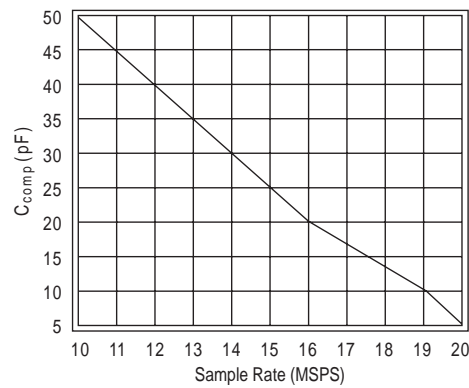
The CLC532 is applicable in a wide range of circuits and applications. A classic example of this flexibility is combining two or more signals for digitization by an analog-to-digital converter (ADC). A clear understanding of both the multiplexer and the ADC'S operation is needed to optimize this configuration.

To obtain the best performance from the combination, the output of the CLC532 must be an accurate representation of the selected input during the ADC conversion cycle. The time at which the ADC samples the input varies with the type of ADC that is being used.

Subranging ADCs usually have a Track-and-Hold (T/H) at their input. For a successful combination of the multiplexer and the ADC, the multiplexer timing and the T/H timing must be compatible. When the ADC is given a converter command, the T/H transitions from all caps Track mode to all caps Hold mode. The delay between the converter command and this transition is usually specified as Aperture Delay or as Sampling Time Offset.

To maximize the time that the multiplexer output has to settle, and that the T/H has to acquire the signal, the multiplexer should begin its transition from one input to the other immediately after the T/H transition into HOLD mode. Unfortunately it is during the initial portion of the HOLD period that a subranging ADC performs analog processing of the sampled signal. High slew rate transitions on the input during this time may have a detrimental effect on the conversion accuracy.

To minimize the effects of high input slew rates, one of two strategies that can be employed. Strategy one applies when the sampling rate of the system is below the rated speed of the ADC. For this case, the CLC532 SELECT timing is delayed until after the multiplexer transition takes place, while the A/D has completed one conversion cycle and is waiting for the next convert command. As an example, if a CLC935 (15MSPS) ADC is being used at 10MSPS, the conversion takes place in the first 67ns after the CONVERT command. The next 33ns are spent waiting for the next CONVERT command. This quite period would be an ideal place to switch the multiplexer from one channel to the next.



DS012716-43

FIGURE 7. Recommend C_{COMP} vs. ADC Sample Rate

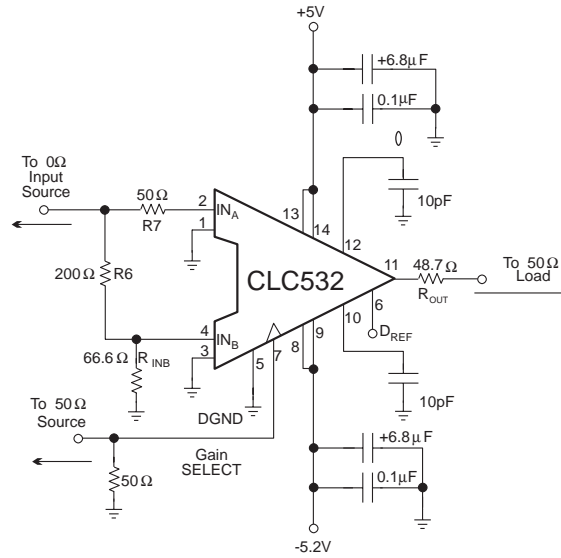
Strategy two involves lowering the slew rate at the input of the ADC so that less high frequency feed through to the hold capacitor during HOLD mode. The CLC532 output signal can be slew limited by increasing its compensation capacitors. This approach also has the advantage of limiting the excess noise passed through the CLC532 to the ADC. *Figure 7* shows the recommended C_{COMP} values as a function of ADC sample rate. Since the optimal values will change from one ADC type to the next, this graph should be used as a starting point for C_{COMP} selection. Both C_{COMP} capacitors should be the same value to maintain output symmetry.

Flash ADCs are similar to subranging ADCs in that the sampling period is very brief. The primary difference is that the acquisition time of a flash converter is much shorter than that of a subranging ADC. It is only during this period that a flash converter is susceptible to interference from a rapidly changing analog input signal. With a flash ADC, the transition of the CLC532 output should be after the sampling instant ("See timing diagram for ADC Aperture Delay" after the CONVERT command).

Gain selection for an ADC

In many applications, such as RADAR, the dynamic range requirements may exceed the accuracy requirements. Since wide dynamic range ADCs are also typically high accuracy ADCs, this often leads the designer into wrongly selecting an ADC which is a technical overkill and a budget buster. By using the CLC532 as a selectable-gain stage, a less expensive ADC can be used. As an example, if an application calls for 80dB of dynamic Range and 0.05% accuracy, rather than using a 14-bit converter, a 12-bit converter combined with the circuit in *Figure 8* will meet the same objective. The CLC532 is used to select between the analog input signal and a version of the input signal attenuated by 12dB. The circuit affords 14-bit dynamic range, 12-bit accuracy and 12-bit ease of implementation.

Application Information (Continued)



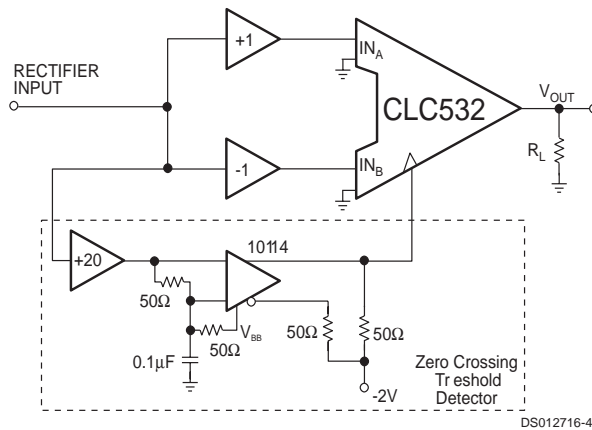
DS012716-44

FIGURE 8. Selectable Gain Stage Improves ADC Dynamic Range

Full Wave Rectifier Circuit

The use of a diode rectifier introduces significant distortion for signals that are small compared to the diode forward bias voltage. Therefore, when low distortion performance is needed, standard diode based circuits do not work well. The CLC532 can be configured to provide a very low distortion

full wave rectifier. The circuit in *Figure 9* is used to select between an analog input signal and an inverted version of the input signal. The resulting output exhibits very little distortion for small scale signals up to several hundred kilohertz.



DS012716-45

FIGURE 9. Low Distortion Full Wave Rectifier

Use of the CLC532 as a Mixer

A double balanced diode bridge mixer, as shown in *Figure 10*, operates by multiplying the RF signal input by the LO input signal. This is done by using the LO signal phase to select either the forward or reverse path through the diode bridge. The result is an output where $IF = RF$ when $LO > 0$ and $IF = -RF$ for $LO < 0$. The same function can be obtained with-

the CLC532 circuit shown in *Figure 11*. The CLC532 based circuit uses a digital LO making system design easier in those cases where the LO is digitally derived. Another advantage of the CLC532 based approach is excellent isolation between all three ports. (See the RF design awards article by Thomas Hack in January 1993 of RF Design.)

Application Information (Continued)

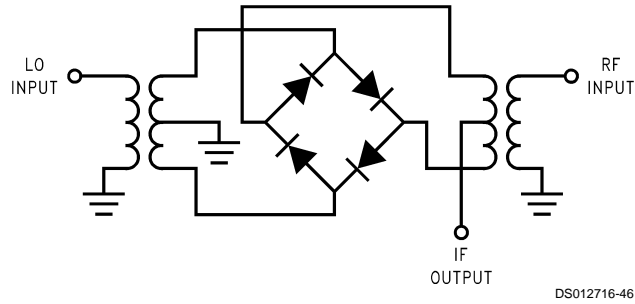


FIGURE 10. Typical Double-Balanced Mixer

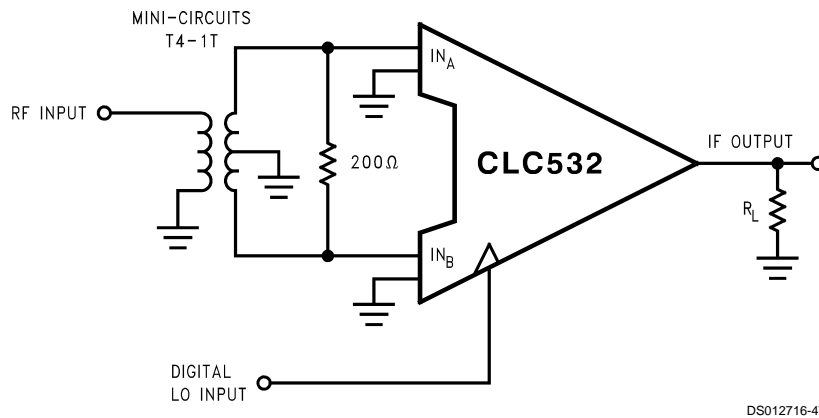


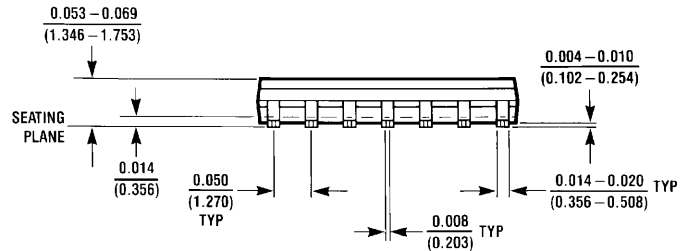
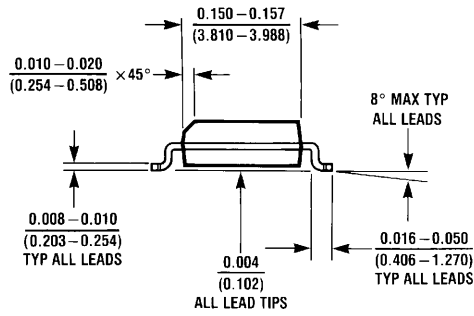
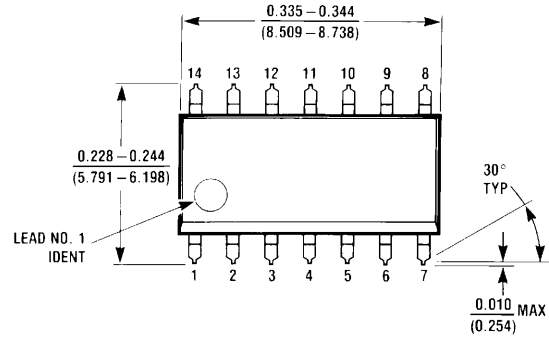
FIGURE 11. High-Isolation Mixer Implementation

Evaluation Board

An evaluation board (part number 730028) for CLC532 is available. This board can be used for fast, trouble-free,

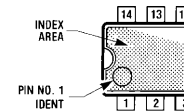
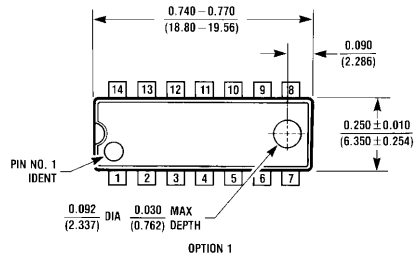
evaluation and characterization of the CLC532. Additionally, this board serves as a template for layout and fabrication information.

Physical Dimensions inches (millimeters) unless otherwise noted



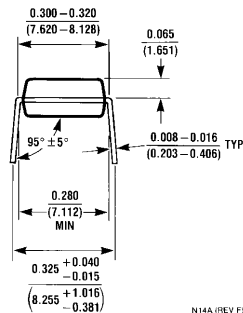
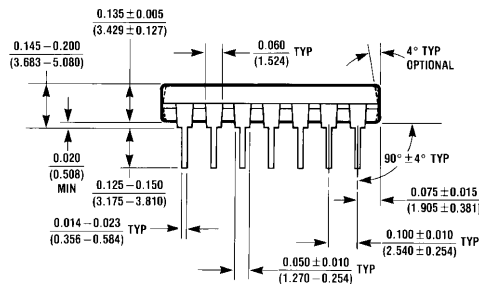
M14A (REV H)

NS Package Number M14A



OPTION 1

OPTION 2



N14A (REV F)

NS Package Number N14A

Notes

LIFE SUPPORT POLICY

NATIONAL'S PRODUCTS ARE NOT AUTHORIZED FOR USE AS CRITICAL COMPONENTS IN LIFE SUPPORT DEVICES OR SYSTEMS WITHOUT THE EXPRESS WRITTEN APPROVAL OF THE PRESIDENT AND GENERAL COUNSEL OF NATIONAL SEMICONDUCTOR CORPORATION. As used herein:

1. Life support devices or systems are devices or systems which, (a) are intended for surgical implant into the body, or (b) support or sustain life, and whose failure to perform when properly used in accordance with instructions for use provided in the labeling, can be reasonably expected to result in a significant injury to the user.
2. A critical component is any component of a life support device or system whose failure to perform can be reasonably expected to cause the failure of the life support device or system, or to affect its safety or effectiveness.



National Semiconductor Corporation
Americas
Email: support@nsc.com

www.national.com

National Semiconductor Europe

Fax: +49 (0) 180-530 85 86
Email: europe.support@nsc.com
Deutsch Tel: +49 (0) 69 9508 6208
English Tel: +44 (0) 870 24 0 2171
Français Tel: +33 (0) 1 41 91 8790

National Semiconductor Asia Pacific Customer Response Group

Tel: 65-2544466
Fax: 65-2504466
Email: ap.support@nsc.com

National Semiconductor Japan Ltd.

Tel: 81-3-5639-7560
Fax: 81-3-5639-7507

IMPORTANT NOTICE

Texas Instruments Incorporated and its subsidiaries (TI) reserve the right to make corrections, modifications, enhancements, improvements, and other changes to its products and services at any time and to discontinue any product or service without notice. Customers should obtain the latest relevant information before placing orders and should verify that such information is current and complete. All products are sold subject to TI's terms and conditions of sale supplied at the time of order acknowledgment.

TI warrants performance of its hardware products to the specifications applicable at the time of sale in accordance with TI's standard warranty. Testing and other quality control techniques are used to the extent TI deems necessary to support this warranty. Except where mandated by government requirements, testing of all parameters of each product is not necessarily performed.

TI assumes no liability for applications assistance or customer product design. Customers are responsible for their products and applications using TI components. To minimize the risks associated with customer products and applications, customers should provide adequate design and operating safeguards.

TI does not warrant or represent that any license, either express or implied, is granted under any TI patent right, copyright, mask work right, or other TI intellectual property right relating to any combination, machine, or process in which TI products or services are used. Information published by TI regarding third-party products or services does not constitute a license from TI to use such products or services or a warranty or endorsement thereof. Use of such information may require a license from a third party under the patents or other intellectual property of the third party, or a license from TI under the patents or other intellectual property of TI.

Reproduction of TI information in TI data books or data sheets is permissible only if reproduction is without alteration and is accompanied by all associated warranties, conditions, limitations, and notices. Reproduction of this information with alteration is an unfair and deceptive business practice. TI is not responsible or liable for such altered documentation. Information of third parties may be subject to additional restrictions.

Resale of TI products or services with statements different from or beyond the parameters stated by TI for that product or service voids all express and any implied warranties for the associated TI product or service and is an unfair and deceptive business practice. TI is not responsible or liable for any such statements.

TI products are not authorized for use in safety-critical applications (such as life support) where a failure of the TI product would reasonably be expected to cause severe personal injury or death, unless officers of the parties have executed an agreement specifically governing such use. Buyers represent that they have all necessary expertise in the safety and regulatory ramifications of their applications, and acknowledge and agree that they are solely responsible for all legal, regulatory and safety-related requirements concerning their products and any use of TI products in such safety-critical applications, notwithstanding any applications-related information or support that may be provided by TI. Further, Buyers must fully indemnify TI and its representatives against any damages arising out of the use of TI products in such safety-critical applications.

TI products are neither designed nor intended for use in military/aerospace applications or environments unless the TI products are specifically designated by TI as military-grade or "enhanced plastic." Only products designated by TI as military-grade meet military specifications. Buyers acknowledge and agree that any such use of TI products which TI has not designated as military-grade is solely at the Buyer's risk, and that they are solely responsible for compliance with all legal and regulatory requirements in connection with such use.

TI products are neither designed nor intended for use in automotive applications or environments unless the specific TI products are designated by TI as compliant with ISO/TS 16949 requirements. Buyers acknowledge and agree that, if they use any non-designated products in automotive applications, TI will not be responsible for any failure to meet such requirements.

Following are URLs where you can obtain information on other Texas Instruments products and application solutions:

Products

Audio	www.ti.com/audio
Amplifiers	amplifier.ti.com
Data Converters	dataconverter.ti.com
DLP® Products	www.dlp.com
DSP	dsp.ti.com
Clocks and Timers	www.ti.com/clocks
Interface	interface.ti.com
Logic	logic.ti.com
Power Mgmt	power.ti.com
Microcontrollers	microcontroller.ti.com
RFID	www.ti-rfid.com
OMAP Mobile Processors	www.ti.com/omap
Wireless Connectivity	www.ti.com/wirelessconnectivity

Applications

Communications and Telecom	www.ti.com/communications
Computers and Peripherals	www.ti.com/computers
Consumer Electronics	www.ti.com/consumer-apps
Energy and Lighting	www.ti.com/energy
Industrial	www.ti.com/industrial
Medical	www.ti.com/medical
Security	www.ti.com/security
Space, Avionics and Defense	www.ti.com/space-avionics-defense
Transportation and Automotive	www.ti.com/automotive
Video and Imaging	www.ti.com/video

TI E2E Community Home Page

e2e.ti.com

Mailing Address: Texas Instruments, Post Office Box 655303, Dallas, Texas 75265
Copyright © 2011, Texas Instruments Incorporated