

## CLC404 Wideband, High Slew Rate, Monolithic Op Amp

Check for Samples: [CLC404](#)

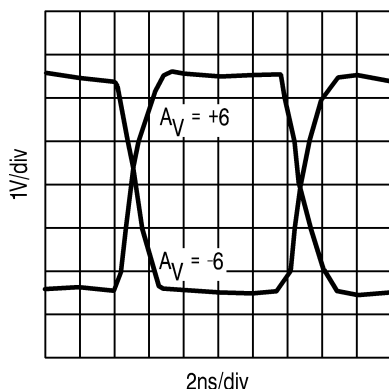
### FEATURES

- 165MHz Large Signal Bandwidth ( $5V_{PP}$ )
- 2600V/ $\mu$ s Slew Rate
- Low Power: 110mW
- Low Distortion:  $-53\text{dBc}$  at 20MHz
- 10ns Settling to 0.2%
- 0.07% Diff. Gain,  $0.03^\circ$  Diff. Phase

### APPLICATIONS

- Fast A/D Conversion
- Line Drivers
- Video Distribution
- High Speed Communications
- Radar, IF Processors

#### Large Signal Pulse Response



### DESCRIPTION

The CLC404 is a high speed, monolithic op amp that combines low power consumption (110mW typical, 120mW maximum) with superior large signal performance. Operating off of  $\pm 5\text{V}$  supplies, the CLC404 demonstrates a large signal bandwidth ( $5V_{PP}$  output) of 165MHz. The bandwidth performance, along with other speed characteristics such as rise and fall time (2.1ns for a 5V step), is nearly identical to the small signal performance since slew rate is not limiting factor in the CLC404 design.

With its 175MHz bandwidth and 10ns settling (0.2%), the CLC404 is ideal for driving ultra fast flash A/D converters. The  $0.5^\circ$  deviation from linear phase, coupled with  $-53\text{dBc}$  2nd harmonic distortion and  $-60\text{dBc}$  3rd harmonic distortion (both at 20MHz), is well suited for many digital and analog communication applications. These same characteristics, along with 70mA output current, differential gain of 0.07%, and differential phase at  $0.03^\circ$ , make the CLC404 an appropriate high performance solution for video distribution and line driving applications.

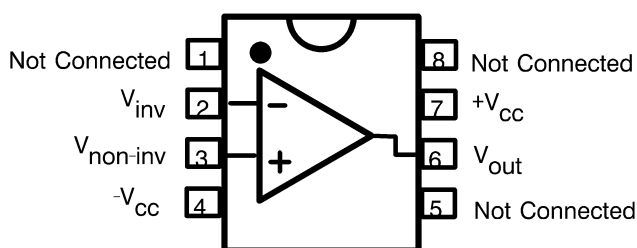
Constructed using an advanced, complementary bipolar process and proven current feedback topologies, the CLC404 provides performance far beyond that of other monolithic op amps. The CLC404 is available in several versions to meet a variety of requirements.

#### Enhanced Solutions (Military/Aerospace)

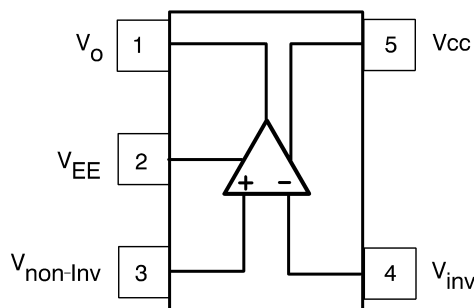
SMD Number: 5962-90994

Space level versions also available.

### CONNECTION DIAGRAM



**Figure 1. PDIP & SOIC Pinout**  
See Package Numbers P and D



**Figure 2. SOT-23 Pinout**  
See Package Number DBV



Please be aware that an important notice concerning availability, standard warranty, and use in critical applications of Texas Instruments semiconductor products and disclaimers thereto appears at the end of this data sheet.

All trademarks are the property of their respective owners.



These devices have limited built-in ESD protection. The leads should be shorted together or the device placed in conductive foam during storage or handling to prevent electrostatic damage to the MOS gates.

### ABSOLUTE MAXIMUM RATINGS <sup>(1)(2)</sup>

Supply Voltage ( $V_{CC}$ )		$\pm 7V$
$I_{OUT}$	Output is short circuit protected to ground, but maximum reliability will be maintained if $I_{OUT}$ does not exceed...	60mA
Common Mode Input Voltage		$\pm V_{CC}$
Differential Input Voltage		10V
Junction Temperature		+150°C
Operating Temperature Range		-40°C to +85°C
Storage Temperature Range		-65°C to +150°C
Lead Solder Duration	+300°C	10 sec
ESD rating	human body model	500V

- (1) Absolute Maximum Ratings are those values beyond which the safety of the device cannot be ensured. They are not meant to imply that the devices should be operated at these limits. The table of [ELECTRICAL CHARACTERISTICS](#) specifies conditions of device operation.
- (2) If Military/Aerospace specified devices are required, please contact the Texas Instruments Sales Office/ Distributors for availability and specifications.

### OPERATING RATINGS

Thermal Resistance		
Package	( $\theta_{JC}$ )	( $\theta_{JA}$ )
PDIP	65°C/W	120°C/W
SOIC	60°C/W	140°C/W

## ELECTRICAL CHARACTERISTICS

$A_V = +6$ ,  $V_{CC} = \pm 5V$ ,  $R_g$  &  $R_L = 100\Omega$ ,  $R_f = 500\Omega$ ; unless specified

Symbol	Parameter	Conditions	Typ	Max/Min Ratings <sup>(1)</sup>			Units
Ambient Temperature		CLC404AJ	+25°C	-40°C	+25°C	+85°C	
<b>Frequency Domain Response</b>							
SSBW	-3dB Bandwidth	$V_{OUT} < 2V_{PP}$	175	>150	>140	>120	MHz
LSBW	-3dB Large Signal	$V_{OUT} < 5V_{PP}$	165	>140	>140	>110	MHz
	Gain Flatness	$V_{OUT} < 2V_{PP}$					
GFPL	Peaking	<40MHz	0	<0.4	<0.3	<0.4	dB
GFPH	Peaking	>40MHz	0	<0.7	<0.5	<0.7	dB
GFR	Rolloff	<75MHz	0.2	<1.0	<1.1	<1.3	dB
LPD	Linear Phase Deviation	DC to 75MHz	0.5	<1.0	<1.0	<1.2	deg
<b>Time Domain Response</b>							
TRS	Rise and Fall Time	2V Step	2.0	<2.4	<2.4	<2.9	ns
TRL		5V Step	2.1	<2.6	<2.6	<3.2	ns
TS	Settling Time to $\pm 0.2\%$	2V Step	10	<15	<15	<15	ns
OS	Overshoot	2V Step	5	<15	<12	<15	%
SR	Slew Rate (Measured at $A_V + 2$ ) <sup>(2)</sup>		2600	>2000	>2000	>2000	V/ $\mu$ s
<b>Distortion And Noise Response</b>							
HD2	2nd Harmonic Distortion	$2V_{PP}, 20MHz$	-53	<-40	<-45	<-45	dBc
HD3	3rd Harmonic Distortion	$2V_{PP}, 20MHz$	-60	<-50	<-50	<-50	dBc
	Equivalent Input Noise						
SNF	Noise Floor	>1MHz	-159	<-157	<-157	<-156	dBm (1Hz)
INV	Integrated Noise	1MHz to 200MHz	40	<45	<45	<50	$\mu$ V
DG	Differential Gain <sup>(3)</sup>		0.07	-	-	-	%
DP	Differential Phase <sup>(3)</sup>		0.03	-	-	-	°
<b>Static, DC Performance</b>							
VIO	Input Offset Voltage <sup>(4)</sup>		2	< $\pm 9.0$	< $\pm 5.0$	< $\pm 10.0$	mV
DVIO	Average Temperature Coefficient		30	< $\pm 50$	-	< $\pm 50$	$\mu$ V/°C
IBN	Input Bias Current <sup>(4)</sup>	Non Inverting	15	< $\pm 44$	< $\pm 22$	< $\pm 22$	$\mu$ A
DIBN	Average Temperature Coefficient		150	< $\pm 275$	-	< $\pm 200$	nA/°C
IBI	Input Bias Current <sup>(4)</sup>	Inverting	15	< $\pm 40$	< $\pm 18$	< $\pm 22$	$\mu$ A
DIBI	Average Temperature Coefficient		150	< $\pm 275$	-	< $\pm 200$	nA/C°
PSRR	Power Supply Rejection Ratio		52	>45	>48	>45	dB
CMRR	Common Mode Rejection Ratio		50	>44	>46	>44	dB
ICC	Supply Current <sup>(4)</sup>	No Load, Quiescent	11	<12	<12	<12	mA
<b>Miscellaneous Performance</b>							
RIN	Non-Inverting Input	Resistance	1000	>250	>500	>1000	k $\Omega$
CIN		Capacitance	1	<2	<2	<2	pF
RO	Output Impedance	At DC	0.1	<0.3	<0.2	<0.2	$\Omega$
VO	Output Voltage Range	No Load	$\pm 3.3$	> $\pm 2.8$	> $\pm 3.0$	> $\pm 3.0$	V
CMIR	Common Mode Input Range	For Rated Performance	$\pm 2.2$	> $\pm 1.4$	> $\pm 1.8$	> $\pm 2.0$	V
IO	Output Current		$\pm 60$	> $\pm 35$	> $\pm 50$	> $\pm 50$	mA

- (1) Max/min ratings are based on product characterization and simulation. Individual parameters are tested as noted. Outgoing quality levels are determined from tested parameters.
- (2) See the text on the back of the data sheet.
- (3) Differential gain and phase measured at  $A_V + 2$ ,  $R_f 500\Omega$ ,  $R_L 150\Omega$  1V<sub>pp</sub> equivalent video signal, 0-100 IRE, 40 IRE<sub>pp</sub>, 0IRE = 0 volts, at 75 $\Omega$  load and 3.58MHz. See text.
- (4) AJ-level: spec. is 100% tested at +25°C, sample at 85°C.

TYPICAL PERFORMANCE CHARACTERISTICS

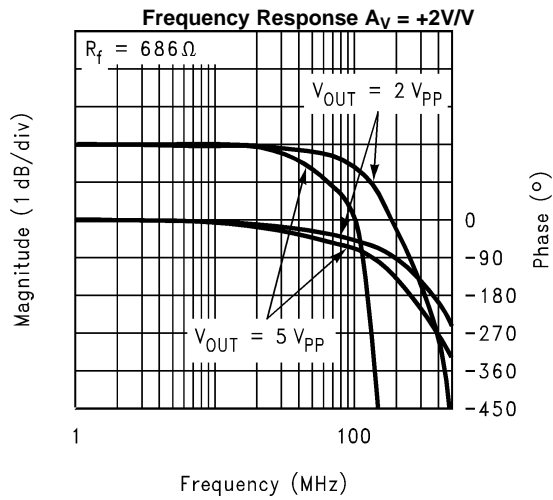


Figure 3.

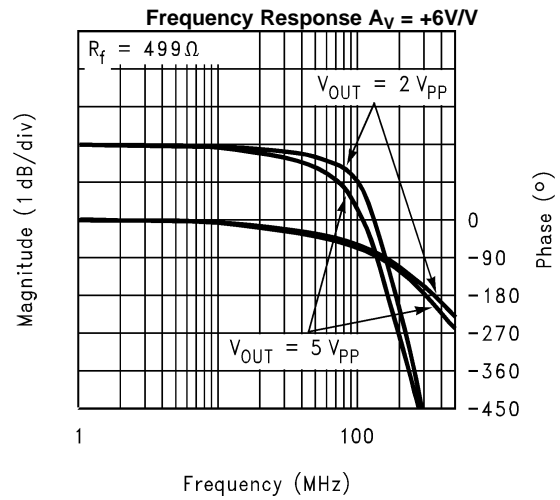


Figure 4.

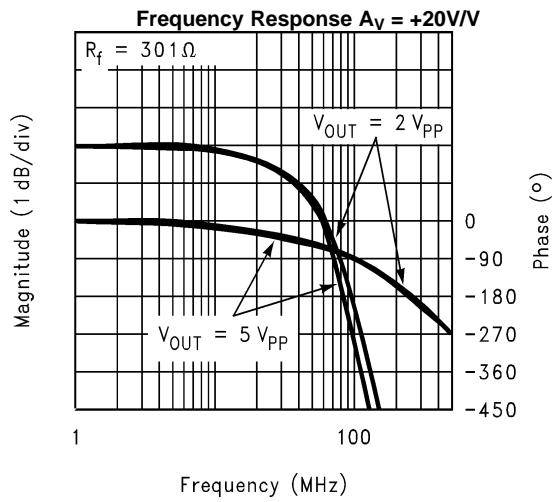


Figure 5.

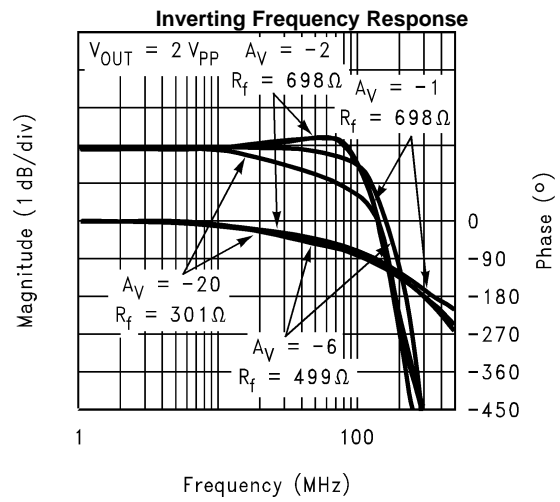


Figure 6.

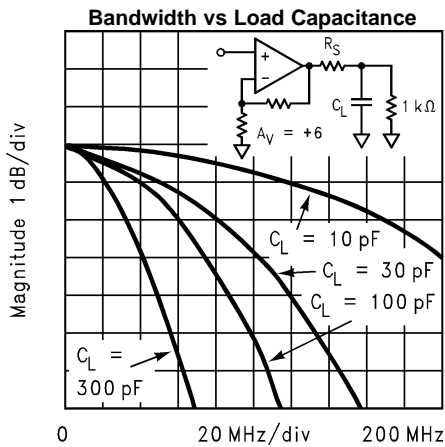


Figure 7.

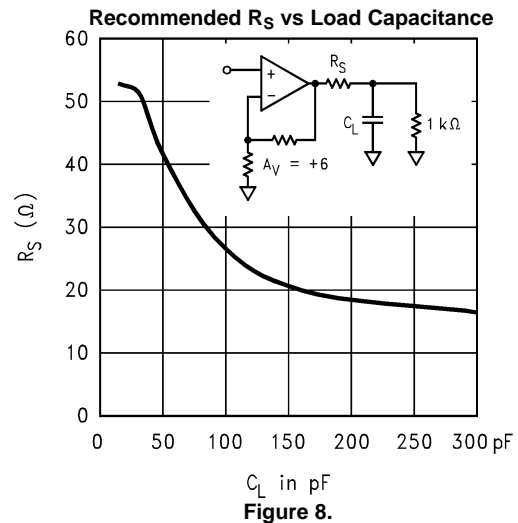
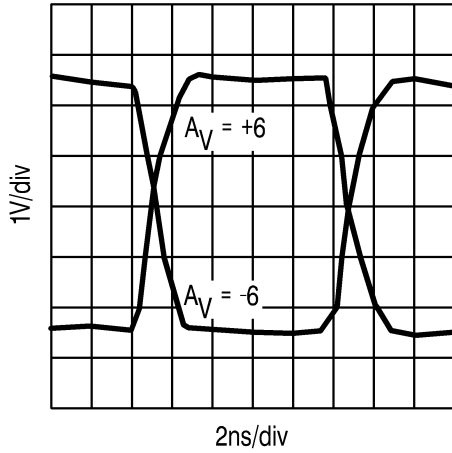


Figure 8.

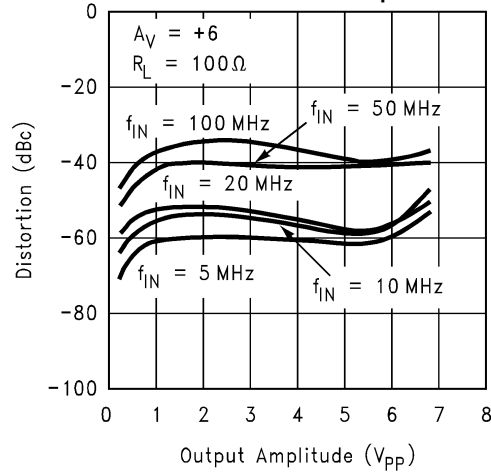
**TYPICAL PERFORMANCE CHARACTERISTICS (continued)**

**Large Signal Pulse Response**



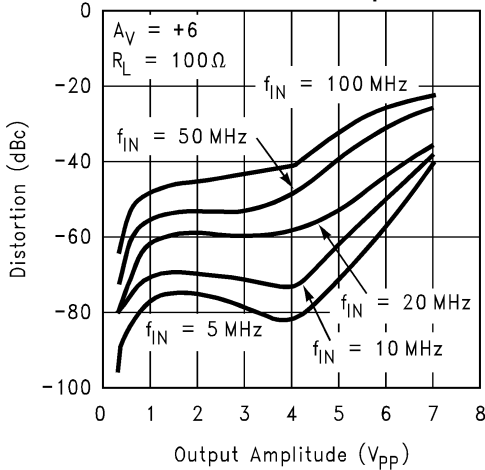
**Figure 9.**

**2nd Harmonic Dist. vs. Amplitude**



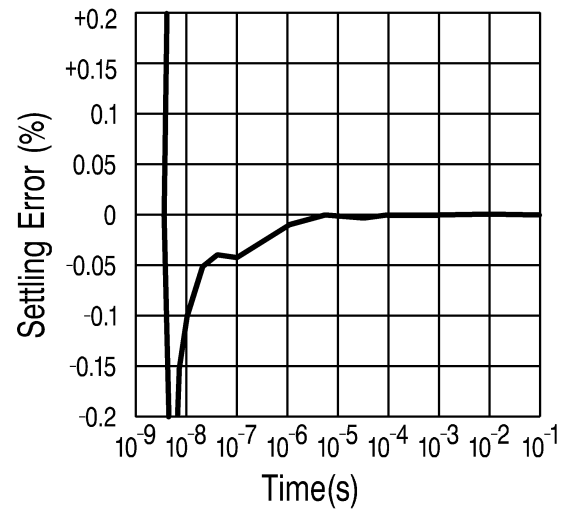
**Figure 10.**

**3rd Harmonic Dist. vs. Amplitude**



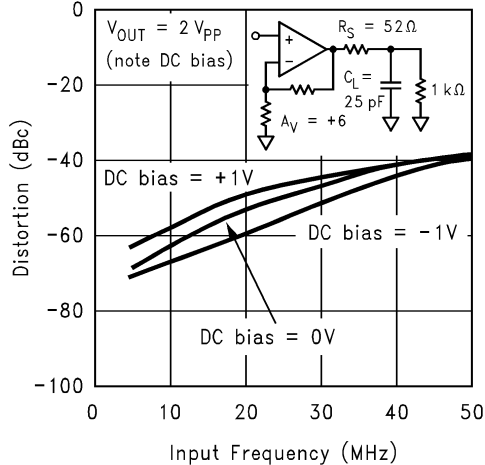
**Figure 11.**

**Settling Time**



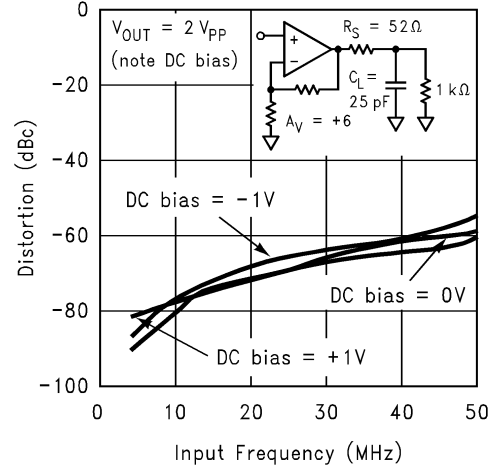
**Figure 12.**

**2nd Harmonic Distortion  $C_L = 25$  pF**



**Figure 13.**

**3rd Harmonic Distortion  $C_L = 25$  pF**



**Figure 14.**

**TYPICAL PERFORMANCE CHARACTERISTICS (continued)**

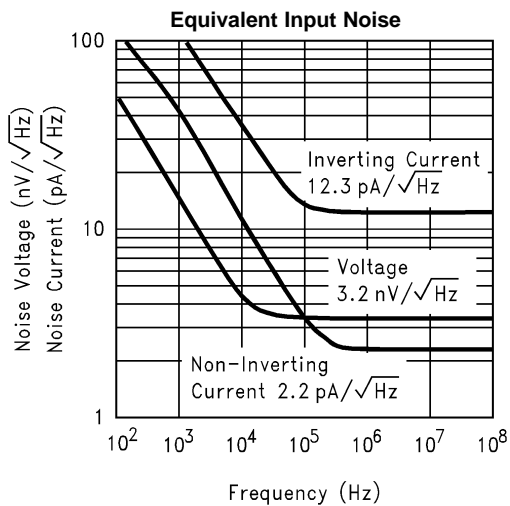


Figure 15.

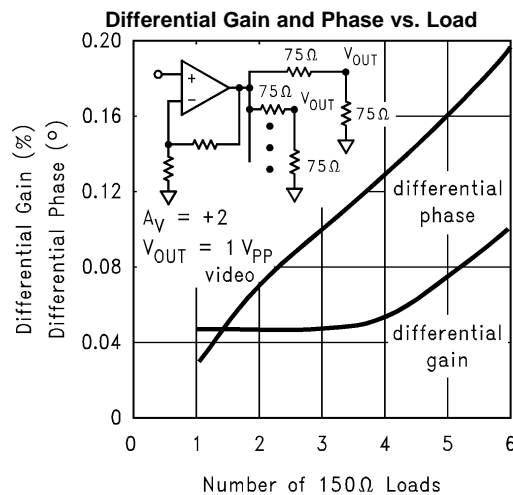


Figure 16.

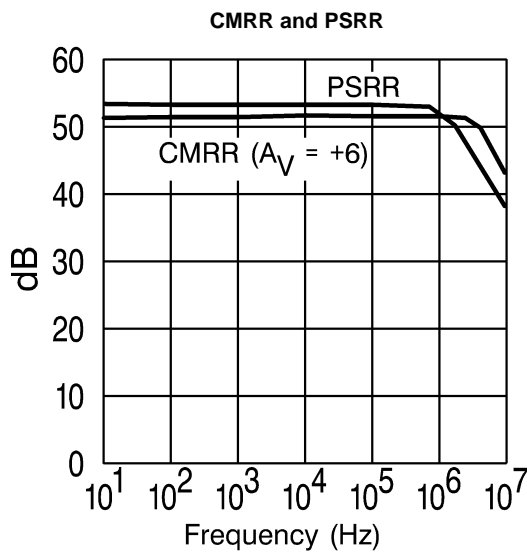
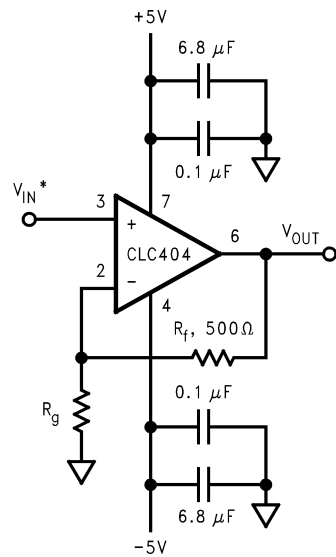


Figure 17.

APPLICATION DIVISION



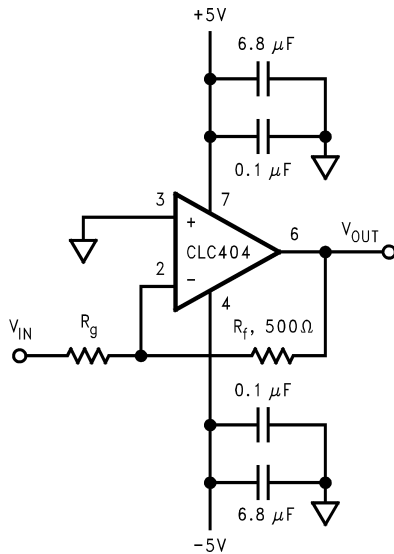
$$A_V = 1 + \frac{R_f}{R_g}$$

\*See source impedance discussion.

For optimum performance,  $R_f$  and  $R_g$  should be low-inductance, low-capacitance resistors.

(Pin designations are for DIP versions.)

Figure 18. Recommended Non-Inverting Gain Circuit



$$A_V = \frac{-R_f}{R_g}$$

For optimum performance,  $R_f$  and  $R_g$  should be low-inductance, low-capacitance resistors.

(Pin designations are for DIP versions.)

Figure 19. Recommended Inverting Gain Circuit

Slew Rate

Slew rate limiting is a nonlinear response which occurs in amplifiers when the output voltage swing approaches hard, abrupt limits in the speed at which it can change. In most applications, this results in an easily identifiable “slew rate” as well as a dramatic increase in distortion for large signal levels. The CLC404 has been designed to provide enough slew rate to avoid slew rate limiting in almost all circuit configurations. The large signal bandwidth of 165MHz, therefore, is nearly the same as the 175MHz small signal bandwidth. The result is a low-distortion, linear system for both small signals and large signals.

Slew rate and large signal performance in the CLC404 can best be understood by first comparing the small and large signal performance plots at a gain of +6. In the CLC404, there is almost no difference between large and small signal performance at this gain. Large signal performance in the CLC404 at a gain of +6 is not slew rate limited. (In an amplifier which is slew limiting, the large signal response rolloff has an abrupt break indicating the onset of slew rate limitation.)

The CLC404 reaches slew rate limits only for low non-inverting gains. In other words, slew rate limiting is constrained by common mode voltage swings at the input. (This is different from traditional slew rate constraints.) The large-signal frequency response plot at a gain of +2 shows a break in the response, which shows that slew rate limit has been reached. Note also that the frequency response plots at gain of +21 show that the large signal and small signal responses are nearly identical.

### Differential Gain and Phase

Differential gain and phase are measurements useful primarily in composite video channels. Differential gain and phase are measured by monitoring the gain and phase of a high frequency carrier (3.58MHz for NTSC composite video) as the output of the amplifier is swept over a range of DC voltages. Any changes in gain and phase at the carrier frequency are the desired measurement, differential gain and phase.

Specifications for the CLC404 include differential gain and phase. The test signals used are based on a  $1V_{PP}$  video level. Test conditions used are the following.

DC sweep range: 0 to 100 IRE units (black to white)

Carrier: 3.58MHz at 40 IRE units peak to peak

The amplifier is specified for a gain of +2, and  $150\Omega$  load (for a backmatched  $75\Omega$  system.) IRE amplitudes are referred to  $75\Omega$  at the load of a video system. This is a different condition from the rest of the specifications ( $A_V = +6$ ,  $R_f = 100\Omega$ ).

### Source Impedance

For best results, source impedance in the non-inverting circuit configuration (see [Figure 18](#)) should be kept below  $3k\Omega$ . Above  $3k\Omega$  it is possible for oscillation to occur, depending on other circuit parasitics. Depending on the signal source, a resistor with a value of less than  $3k\Omega$  may be used to terminate the non-inverting input to ground.

### Feedback Resistor

In current-feedback op amps, the value of the feedback resistor plays a major role in determining amplifier dynamics. It is important to select the correct value resistor. The CLC404 provides optimum performance with a  $500\Omega$  feedback resistor. Furthermore, the specifications shown on the previous pages are valid only when a  $500\Omega$  feedback resistor is used. Selection of an incorrect value can lead to severe rolloff in frequency-response (if the resistor value is too large) or peaking or oscillation (if the value is too low).

### Printed Circuit Layout

As with any high frequency device, a good PCB layout will enhance performance. Ground plane construction and good power supply bypassing close to the package are critical to achieving full performance. In the non-inverting configuration, the amplifier is sensitive to stray capacitance to ground at the inverting input. Hence, the inverting node connections should be small with minimal coupling to the ground plane. Shunt capacitance across the feedback resistor should not be used to compensate for this effect.

Parasitic or load capacitance directly on the output will introduce additional phase shift in the loop degrading the loop phase margin and leading to frequency response peaking. A small series resistor before the capacitance effectively decouples this effect. The graphs on the preceding page illustrate the required resistor value and resulting performance vs. capacitance.

Precision buffered resistors (PRP8351 series from Precision Resistive Products) with low parasitic reactances were used to develop the data sheet specifications. Precision carbon composition resistors will also yield excellent results. Standard spirally-trimmed RN55D metal film resistors will work with a slight decrease in bandwidth due to their reactive nature at high frequencies.

Evaluation PC boards (part numbers CLC730013 for through-hole and CLC 730027 for SOIC) for the CLC404 are available.



---

**REVISION HISTORY**

<b>Changes from Revision E (April 2013) to Revision F</b>	<b>Page</b>
• Changed layout of National Data Sheet to TI format .....	<a href="#">8</a>

---

## IMPORTANT NOTICE

Texas Instruments Incorporated and its subsidiaries (TI) reserve the right to make corrections, enhancements, improvements and other changes to its semiconductor products and services per JESD46, latest issue, and to discontinue any product or service per JESD48, latest issue. Buyers should obtain the latest relevant information before placing orders and should verify that such information is current and complete. All semiconductor products (also referred to herein as "components") are sold subject to TI's terms and conditions of sale supplied at the time of order acknowledgment.

TI warrants performance of its components to the specifications applicable at the time of sale, in accordance with the warranty in TI's terms and conditions of sale of semiconductor products. Testing and other quality control techniques are used to the extent TI deems necessary to support this warranty. Except where mandated by applicable law, testing of all parameters of each component is not necessarily performed.

TI assumes no liability for applications assistance or the design of Buyers' products. Buyers are responsible for their products and applications using TI components. To minimize the risks associated with Buyers' products and applications, Buyers should provide adequate design and operating safeguards.

TI does not warrant or represent that any license, either express or implied, is granted under any patent right, copyright, mask work right, or other intellectual property right relating to any combination, machine, or process in which TI components or services are used. Information published by TI regarding third-party products or services does not constitute a license to use such products or services or a warranty or endorsement thereof. Use of such information may require a license from a third party under the patents or other intellectual property of the third party, or a license from TI under the patents or other intellectual property of TI.

Reproduction of significant portions of TI information in TI data books or data sheets is permissible only if reproduction is without alteration and is accompanied by all associated warranties, conditions, limitations, and notices. TI is not responsible or liable for such altered documentation. Information of third parties may be subject to additional restrictions.

Resale of TI components or services with statements different from or beyond the parameters stated by TI for that component or service voids all express and any implied warranties for the associated TI component or service and is an unfair and deceptive business practice. TI is not responsible or liable for any such statements.

Buyer acknowledges and agrees that it is solely responsible for compliance with all legal, regulatory and safety-related requirements concerning its products, and any use of TI components in its applications, notwithstanding any applications-related information or support that may be provided by TI. Buyer represents and agrees that it has all the necessary expertise to create and implement safeguards which anticipate dangerous consequences of failures, monitor failures and their consequences, lessen the likelihood of failures that might cause harm and take appropriate remedial actions. Buyer will fully indemnify TI and its representatives against any damages arising out of the use of any TI components in safety-critical applications.

In some cases, TI components may be promoted specifically to facilitate safety-related applications. With such components, TI's goal is to help enable customers to design and create their own end-product solutions that meet applicable functional safety standards and requirements. Nonetheless, such components are subject to these terms.

No TI components are authorized for use in FDA Class III (or similar life-critical medical equipment) unless authorized officers of the parties have executed a special agreement specifically governing such use.

Only those TI components which TI has specifically designated as military grade or "enhanced plastic" are designed and intended for use in military/aerospace applications or environments. Buyer acknowledges and agrees that any military or aerospace use of TI components which have **not** been so designated is solely at the Buyer's risk, and that Buyer is solely responsible for compliance with all legal and regulatory requirements in connection with such use.

TI has specifically designated certain components as meeting ISO/TS16949 requirements, mainly for automotive use. In any case of use of non-designated products, TI will not be responsible for any failure to meet ISO/TS16949.

### Products

Audio	<a href="http://www.ti.com/audio">www.ti.com/audio</a>
Amplifiers	<a href="http://amplifier.ti.com">amplifier.ti.com</a>
Data Converters	<a href="http://dataconverter.ti.com">dataconverter.ti.com</a>
DLP® Products	<a href="http://www.dlp.com">www.dlp.com</a>
DSP	<a href="http://dsp.ti.com">dsp.ti.com</a>
Clocks and Timers	<a href="http://www.ti.com/clocks">www.ti.com/clocks</a>
Interface	<a href="http://interface.ti.com">interface.ti.com</a>
Logic	<a href="http://logic.ti.com">logic.ti.com</a>
Power Mgmt	<a href="http://power.ti.com">power.ti.com</a>
Microcontrollers	<a href="http://microcontroller.ti.com">microcontroller.ti.com</a>
RFID	<a href="http://www.ti-rfid.com">www.ti-rfid.com</a>
OMAP Applications Processors	<a href="http://www.ti.com/omap">www.ti.com/omap</a>
Wireless Connectivity	<a href="http://www.ti.com/wirelessconnectivity">www.ti.com/wirelessconnectivity</a>

### Applications

Automotive and Transportation	<a href="http://www.ti.com/automotive">www.ti.com/automotive</a>
Communications and Telecom	<a href="http://www.ti.com/communications">www.ti.com/communications</a>
Computers and Peripherals	<a href="http://www.ti.com/computers">www.ti.com/computers</a>
Consumer Electronics	<a href="http://www.ti.com/consumer-apps">www.ti.com/consumer-apps</a>
Energy and Lighting	<a href="http://www.ti.com/energy">www.ti.com/energy</a>
Industrial	<a href="http://www.ti.com/industrial">www.ti.com/industrial</a>
Medical	<a href="http://www.ti.com/medical">www.ti.com/medical</a>
Security	<a href="http://www.ti.com/security">www.ti.com/security</a>
Space, Avionics and Defense	<a href="http://www.ti.com/space-avionics-defense">www.ti.com/space-avionics-defense</a>
Video and Imaging	<a href="http://www.ti.com/video">www.ti.com/video</a>

### TI E2E Community

[e2e.ti.com](http://e2e.ti.com)