

CLC5632

CLC5632 Dual, High Output, Programmable Gain Buffer



Literature Number: SNOS908B

CLC5632

Dual, High Output, Programmable Gain Buffer

General Description

The CLC5632 is a dual, low cost, high speed (130MHz) buffer which features user programmable gains of +2, +1, and $-1V/V$. The CLC5632 also has a new output stage that delivers high output drive current (130mA), but consumes minimal quiescent supply current (3.0mA/ch) from a single 5V supply. Its current feedback architecture, fabricated in an advanced complementary bipolar process, maintains consistent performance over a wide range of gains and signal levels, and has a linear phase response up to one half of the $-3dB$ frequency.

The CLC5632 offers 0.1dB gain flatness to 30MHz and differential gain and phase errors of 0.08% and 0.02° . These features are ideal for professional and consumer video applications.

The CLC5632 offers superior dynamic performance with a 130MHz small-signal bandwidth, $410V/\mu s$ slew rate and 5.0ns rise/fall times ($2V_{step}$). The combination of low quiescent power, high output current drive, and high speed performance make the CLC5632 well suited for many battery powered personal communication/computing systems. The ability to drive low impedance, highly capacitive loads, makes the CLC5632 ideal for single ended cable applications. It also drives low impedance loads with minimum distortion. The CLC5632 will drive a 100Ω load with only $-82/-69dBc$ second/third harmonic distortion ($A_V = +2$, $V_{OUT} = 2V_{PP}$, $f = 1MHz$). With a 25Ω load, and the same conditions, it produces only $-71/-73dBc$ second/third harmonic distortion. It is also optimized for driving high currents into single-ended transformers and coils. When driving the input of high resolution A/D converters, the CLC5632 provides excellent $-86/-96dBc$ second/third harmonic distortion ($A_V = +2$, $V_{OUT} = 2V_{PP}$, $f = 1MHz$, $R_L = 1k\Omega$) and fast settling time.

Features

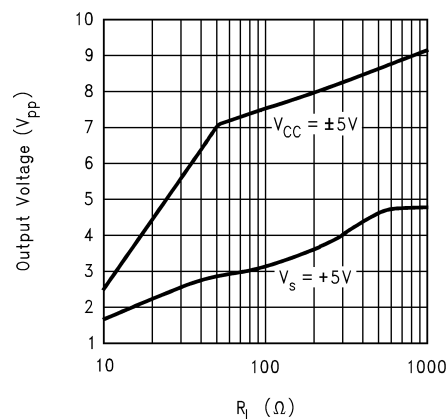
- 130mA output current

- 0.08%, 0.02° differential gain, phase
- 3.0mA/ch supply current
- 130MHz bandwidth ($A_V = +2$)
- $-86/-96dBc$ HD2/HD3 (1MHz)
- 17ns settling to 0.05%
- $410V/\mu s$ slew rate
- Stable for capacitive loads up to 1000pf
- Single 5V to $\pm 5V$ supplies

Applications

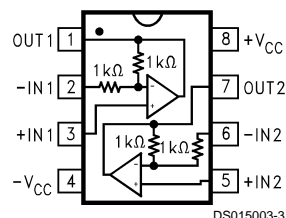
- Video line driver
- Coaxial cable driver
- Twisted pair driver
- Transformer/coil driver
- High capacitive load driver
- Portable/battery powered applications
- A/D driver

Maximum Output Voltage vs. R_L



DS015003-1

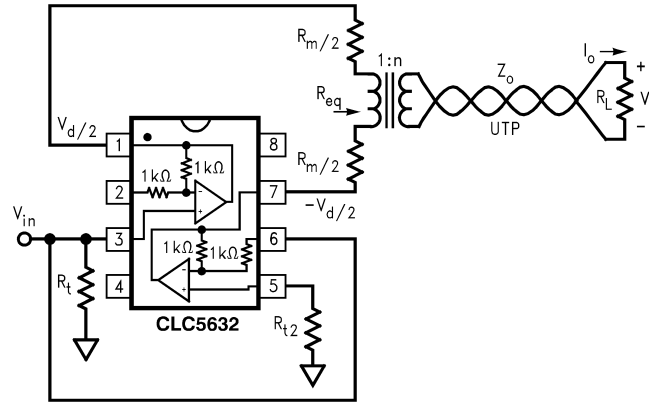
Connection Diagram



DS015003-3

Pinout
DIP & SOIC

Typical Application



DS015003-2

Differential Line Driver with Load Impedance Conversion

Ordering Information

Package	Temperature Range Industrial -40°C to +85°C	Packaging Marking	Transport Media	NSC Drawing
8-pin MDIP	CLC5632IN	CLC5632IN	Rails	N08E
8-pin SOIC	CLC5632IM	CLC5632IM	Rails	M08A
	CLC5632IMX	CLC5632IM	2.5k Units Tape and Reel	

Absolute Maximum Ratings (Note 1)

If Military/Aerospace specified devices are required, please contact the National Semiconductor Sales Office/Distributors for availability and specifications.

Supply Voltage ($V_{CC}-V_{EE}$)	+14V
Output Current (See note 4)	140mA
Common-Mode Input Voltage	V_{EE} to V_{CC}
Maximum Junction Temperature	+150°C
Storage Temperature Range	-65°C to +150°C

Lead Temperature (Soldering 10 sec)

+300°C

Operating Ratings

Thermal Resistance		
Package	(θ_{JC})	(θ_{JA})
MDIP	65°C/W	130°C/W
SOIC	50°C/W	145°C/W

+5 Electrical Characteristics

($A_V = +2$, $R_L = 100\Omega$, $V_S = +5V$ (Note 5), $V_{CM} = V_{EE} + (V_S/2)$, R_L tied to V_{CM} ; Unless Specified).

Symbol	Parameter	Conditions	Typ	Min/Max Ratings (Note 2)			Units
Ambient Temperature		CLC5632IN/IM	+25°C	+25°C	0 to 70°C	-40 to 85°C	
Frequency Domain Response							
	-3dB Bandwidth	$V_O = 0.5V_{PP}$	100	70	65	65	MHz
		$V_O = 2.0V_{PP}$	90	75	72	70	MHz
	-0.1dB Bandwidth	$V_O = 0.5V_{PP}$	23	20	20	16	MHz
	Gain Peaking	<200MHz, $V_O = 0.5V_{PP}$	0	0.5	0.9	1.0	dB
	Gain Rolloff	<30MHz, $V_O = 0.5V_{PP}$	0.2	0.4	0.6	0.6	dB
	Linear Phase Deviation	<30MHz, $V_O = 0.5V_{PP}$	0.12	0.3	0.4	0.4	deg
	Differential Gain	NTSC, $R_L = 150\Omega$ to -1V	0.05	-	-	-	%
	Differential Phase	NTSC, $R_L = 150\Omega$ to -1V	0.15	-	-	-	deg
Time Domain Response							
	Rise and Fall Time	2V Step	4.8	6.4	6.8	7.3	ns
	Settling Time to 0.05%	1V Step	20	24	40	60	ns
	Overshoot	2V Step	5	7	11	14	%
	Slew Rate	2V Step	290	170	150	140	V/ μ s
Distortion And Noise Response							
	2nd Harmonic Distortion	$2V_{PP}$, 1MHz	-72	-69	-66	-66	dBc
		$2V_{PP}$, 1MHz; $R_L = 1k\Omega$	-77	-75	-72	-72	dBc
		$2V_{PP}$, 5MHz	-63	-56	-52	-52	dBc
	3rd Harmonic Distortion	$2V_{PP}$, 1MHz	-85	-82	-79	-79	dBc
		$2V_{PP}$, 1MHz; $R_L = 1k\Omega$	-81	-78	-75	-75	dBc
		$2V_{PP}$, 5MHz	-66	-60	-58	-58	dBc
Equivalent Input Noise							
	Voltage (e_{ni})	>1MHz	3.4	4.4	4.9	4.9	nV/ \sqrt{Hz}
	Non-Inverting Current (i_{bn})	>1MHz	6.3	8.2	9.0	9.0	pA/ \sqrt{Hz}
	Inverting Current (i_{bi})	>1MHz	8.7	11.3	12.4	12.4	pA/ \sqrt{Hz}
	Crosstalk (Input Referred)	10MHz, $1V_{PP}$	-80	-	-	-	dB
Static, DC Performance							
	Input Offset Voltage (Note 3)		13	30	35	35	mV
	Average Drift		80	-	-	-	μ V/°C
	Input Bias Current (Non-Inverting) (Note 3)		5	18	24	24	μ A
	Average Drift		30	-	-	-	nA/°C

+5 Electrical Characteristics (Continued) $(A_V = +2, R_L = 100\Omega, V_S = +5V$ (Note 5), $V_{CM} = V_{EE} + (V_S/2)$, R_L tied to V_{CM} ; Unless Specified).

Symbol	Parameter	Conditions	Typ	Min/Max Ratings (Note 2)			Units
Static, DC Performance							
	Gain Accuracy		± 0.3	± 1.5	± 2.0	± 2.0	%
	Internal Resistors (R_f, R_g)		1000	$\pm 20\%$	$\pm 26\%$	$\pm 30\%$	Ω
	Power supply Rejection Ratio	DC	48	45	43	43	dB
	Common Mode Rejection Ratio	DC	46	44	42	42	dB
	Supply Current (Note 3)	$R_L = \infty$	3.0	3.4	3.6	3.6	mA
Miscellaneous Performance							
	Input Resistance (Non-Inverting)		0.38	0.27	0.24	0.24	M Ω
	Input Capacitance (Non-Inverting)		2.2	3.3	3.3	3.3	pF
	Input Voltage Range, High		4.2	4.1	4.0	4.0	V
	Input Voltage Range, Low		0.8	0.9	1.0	1.0	V
	Output Voltage Range, High	$R_L = 100\Omega$	4.0	3.9	3.8	3.8	V
	Output Voltage Range, Low	$R_L = 100\Omega$	1.0	1.1	1.2	1.2	V
	Output Voltage Range, High	$R_L = \infty$	4.1	4.0	4.0	3.9	V
	Output Voltage Range, Low	$R_L = \infty$	0.9	1.0	1.0	1.1	V
	Output Current (Note 4)		100	80	65	40	mA
	Output Resistance, Closed Loop	DC	400	600	600	600	m Ω

 ± 5 Electrical Characteristics $(A_V = +2, R_L = 100\Omega, V_{CC} = \pm 5V$; Unless Specified).

Symbol	Parameter	Conditions	Typ	Min/Max Ratings (Note 2)			Units
Ambient Temperature		CLC5602IN/IM	+25°C	+25°C	0 to 70°C	-40 to 85°C	
Frequency Domain Response							
	-3dB Bandwidth	$V_O = 1.0V_{PP}$	130	100	90	90	MHz
		$V_O = 4.0V_{PP}$	70	55	52	50	MHz
	-0.1dB Bandwidth	$V_O = 1.0V_{PP}$	30	25	20	20	MHz
	Gain Peaking	<200MHz, $V_O = 1.0V_{PP}$	0	0.5	0.9	1.0	dB
	Gain Rolloff	<300MHz, $V_O = 1.0V_{PP}$	0.1	0.3	0.5	0.5	dB
	Linear Phase Deviation	<30MHz, $V_O = 1.0V_{PP}$	0.1	0.2	0.3	0.3	deg
	Differential Gain	NTSC, $R_L = 150\Omega$	0.08	0.16	-	-	%
	Differential Phase	NTSC, $R_L = 150\Omega$	0.02	0.04	-	-	deg
Time Domain Response							
	Rise and Fall Rime	2V Step	5.0	6.5	7.0	7.7	ns
	Settling Time to 0.05%	2V Step	17	28	40	60	ns
	Overshoot	2V Step	14	17	18	19	%
	Slew Rate	2V Step	410	310	240	225	V/ μ s
Distortion And Noise Response							
	2nd Harmonic Distortion	2V _{PP} , 1MHz	-82	-74	-72	-72	dBc
		2V _{PP} , 1MHz; $R_L = 1k\Omega$	-86	-82	-80	-68	dBc
		2V _{PP} , 5MHz	-66	-61	-59	-59	dBc
	3rd Harmonic Distortion	2V _{PP} , 1MHz	-69	-63	-61	-68	dBc
		2V _{PP} , 1MHz; $R_L = 1k\Omega$	-96	-91	-88	-88	dBc
		2V _{PP} , 5MHz	-71	-66	-64	-64	dBc

±5 Electrical Characteristics (Continued)(A_V = +2, R_L = 100Ω, V_{CC} = ±5V; Unless Specified).

Symbol	Parameter	Conditions	Typ	Min/Max Ratings (Note 2)			Units
Distortion And Noise Response							
	Equivalent Input Noise						
	Voltage (e _{ni})	>1MHz	3.4	4.4	4.9	4.9	nV/√Hz
	Non-Inverting Current (i _{bn})	>1MHz	6.3	8.2	9.0	9.0	pA/√Hz
	Inverting Current (i _{bi})	>1MHz	8.7	11.3	12.4	12.4	pA/√Hz
	Crosstalk (Input Referred)	10MHz, 1V _{PP}	-80	-	-	-	dB
Static, DC Performance							
	Output Offset Voltage		7	30	35	35	mV
	Average Drift		80	-	-	-	μV/°C
	Input Bias Current (Non-Inverting)		5	18	25	25	μA
	Average Drift		40	-	-	-	nA/°C
	Gain Accuracy		±0.3	±1.5	±2.0	±2.0	%
	Internal Resistor (R _f , R _g)		1000	±20%	±26%	±30%	Ω
	Power Supply Rejection Ratio	DC	48	45	43	43	dB
	Common Mode Rejection Ratio	DC	47	45	43	43	dB
	Supply Current	R _L = ∞	3.2	3.8	4.0	4.0	mA
Miscellaneous Performance							
	Input Resistance (Non-Inverting)		0.50	0.35	0.31	0.31	MΩ
	Input Capacitance (Non-Inverting)		1.9	2.85	2.85	2.85	pF
	Common-Mode Input Range		±4.2	±4.1	±4.1	±4.0	V
	Output Voltage Range	R _L = 100Ω	±3.8	±3.6	±3.6	±3.5	V
	Output Voltage Range	R _L = ∞	±4.0	±3.8	±3.8	±3.7	V
	Output Current (Note 4)		130	100	80	50	mA
	Output Resistance, Closed Loop	DC	400	600	600	600	mΩ

Note 1: "Absolute Maximum Ratings" are those values beyond which the safety of the device cannot be guaranteed. They are not meant to imply that the devices should be operated at these limits. The table of "Electrical Characteristics" specifies conditions of device operation.

Note 2: Min/max ratings are based on product characterization and simulation. Individual parameters are tested as noted. Outgoing quality levels are determined from tested parameters.

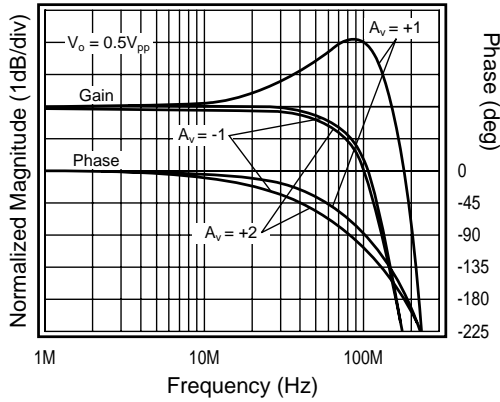
Note 3: AJ-level: spec. is 100% tested at +25°C.

Note 4: The short circuit current can exceed the maximum safe output current

Note 5: V_S = V_{CC} - V_{EE}

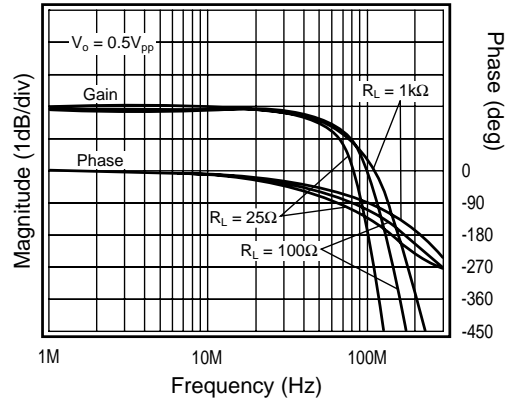
+5V Typical Performance Characteristics ($A_V = +2$, $R_L = 100\Omega$, $V_S = +5V$ (Note 5), $V_{CM} = V_{EE} + (V_S/2)$, R_L tied to V_{CM} ; Unless Specified).

Non-Inverting Frequency Response



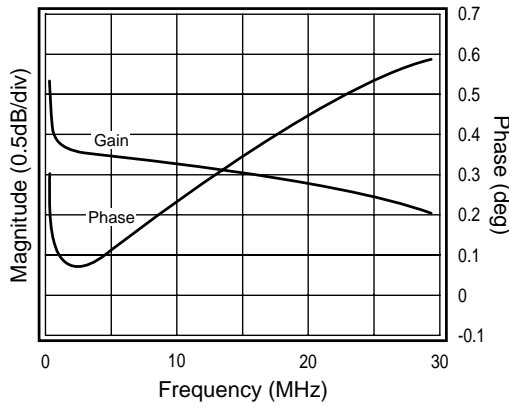
DS015003-4

Frequency Response vs. R_L



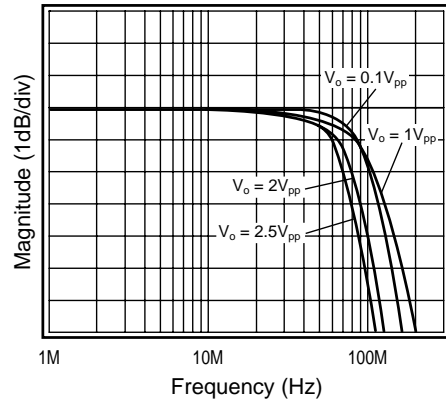
DS015003-5

Gain Flatness & Linear Phase



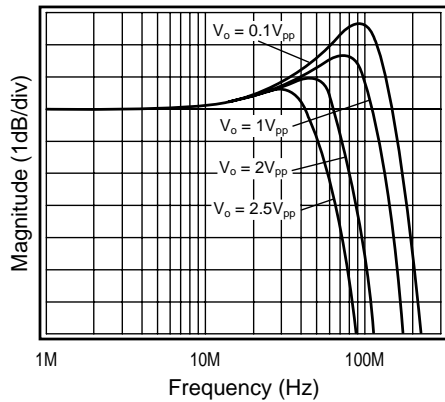
DS015003-6

Frequency Response vs. V_O ($A_V = 2$)



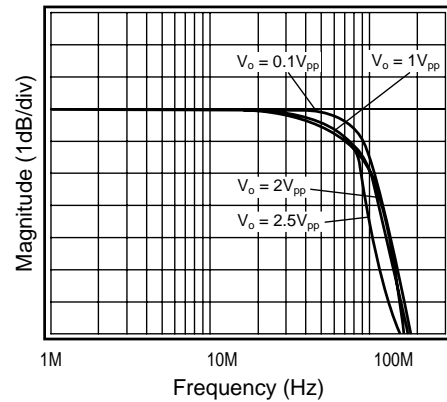
DS015003-7

Frequency Response vs. V_O ($A_V = 1$)



DS015003-8

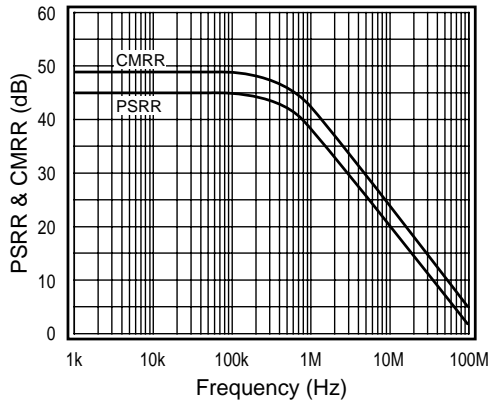
Frequency Response vs. V_O ($A_V = -1$)



DS015003-9

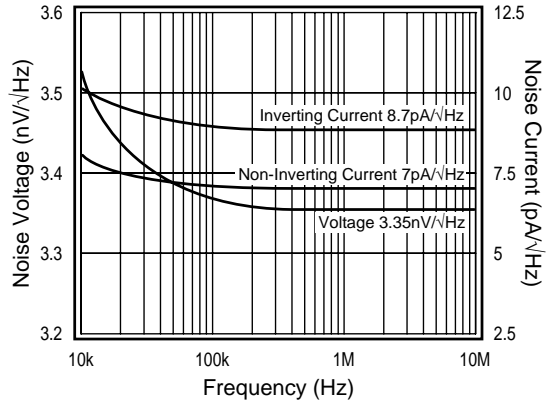
+5V Typical Performance Characteristics ($A_V = +2$, $R_L = 100\Omega$, $V_S = +5V$ (Note 5), $V_{CM} = V_{EE} + (V_S/2)$, R_L tied to V_{CM} ; Unless Specified).. (Continued)

PSRR & CMRR



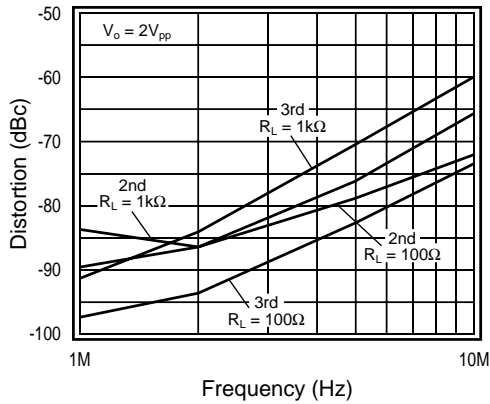
DS015003-10

Equivalent Input Noise



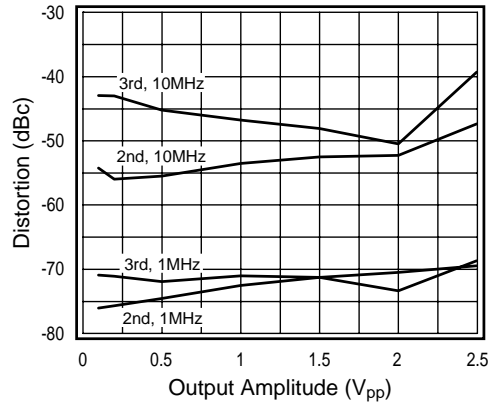
DS015003-11

2nd & 3rd Harmonic Distortion



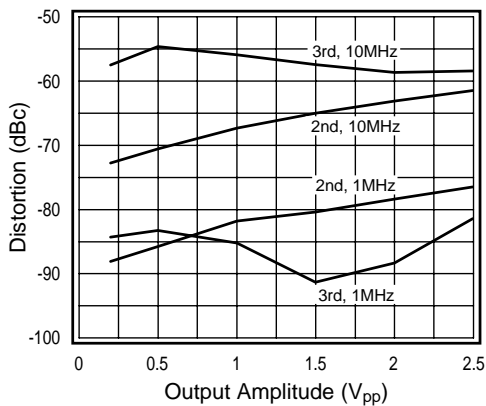
DS015003-12

2nd & 3rd Harmonic Distortion, $R_L = 25\Omega$



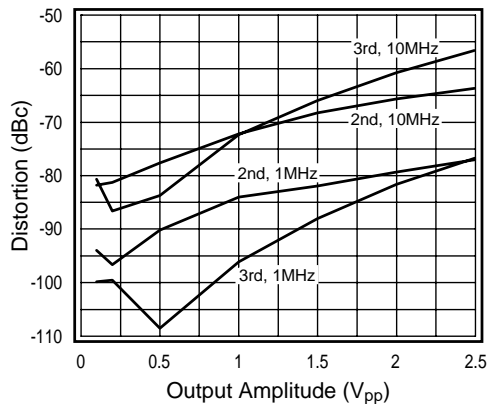
DS015003-13

2nd & 3rd Harmonic Distortion, $R_L = 100\Omega$



DS015003-14

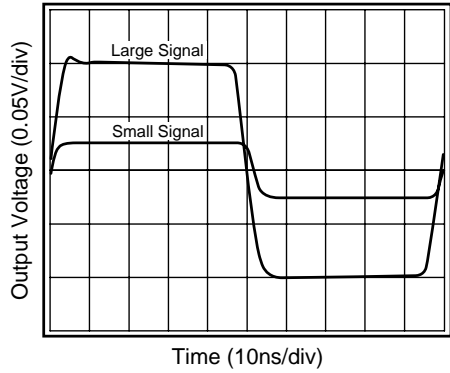
2nd & 3rd Harmonic Distortion, $R_L = 1k\Omega$



DS015003-15

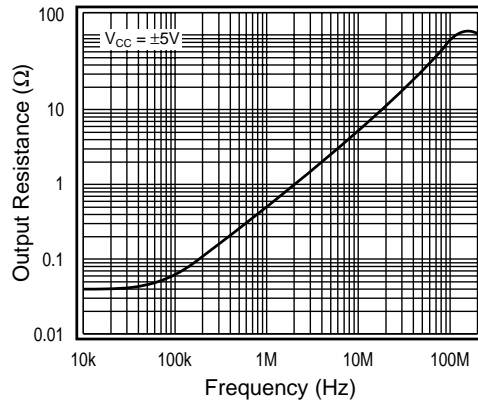
+5V Typical Performance Characteristics ($A_V = +2$, $R_L = 100\Omega$, $V_S = +5V$ (Note 5), $V_{CM} = V_{EE} + (V_S/2)$, R_L tied to V_{CM} ; Unless Specified).. (Continued)

Large & Small Signal Pulse Response



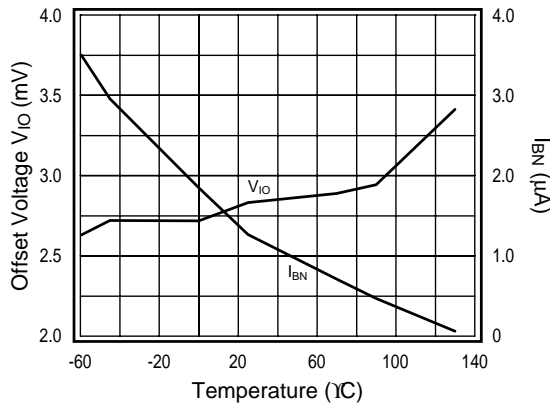
DS015003-16

Closed Loop Output Resistance



DS015003-17

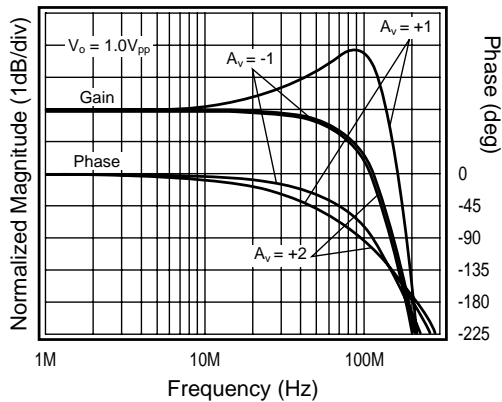
I_{BN} & V_{IO} vs. Temperature



DS015003-18

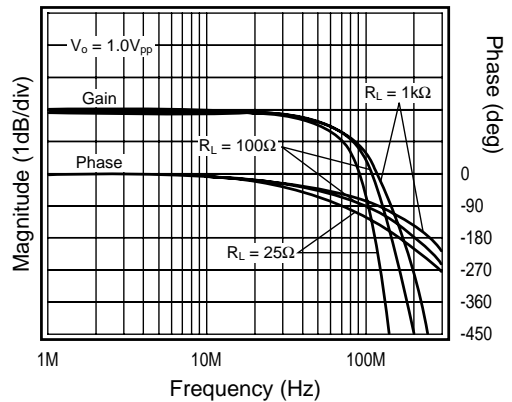
±5V Typical Performance Characteristics ($A_V = +2$, $R_L = 100\Omega$, $V_{CC} = \pm 5V$; Unless Specified)

Frequency Response



DS015003-19

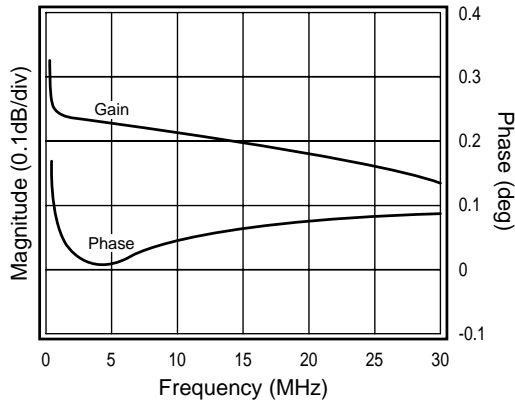
Frequency Response vs. R_L



DS015003-20

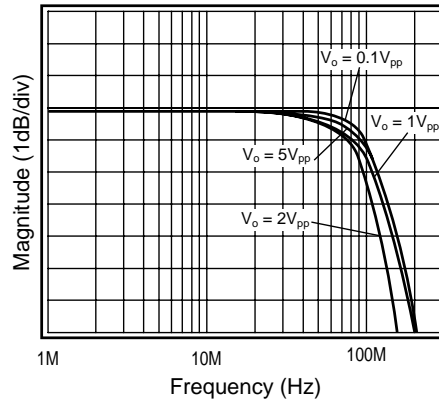
±5V Typical Performance Characteristics ($A_V = +2$, $R_L = 100\Omega$, $V_{CC} = \pm 5V$; Unless Specified) (Continued)

Gain Flatness & Linear Phase



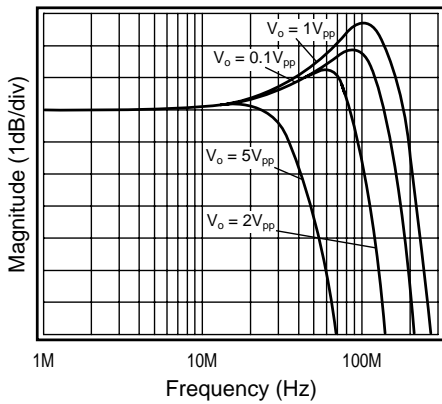
DS015003-21

Frequency Response vs. V_O ($A_V = 2$)



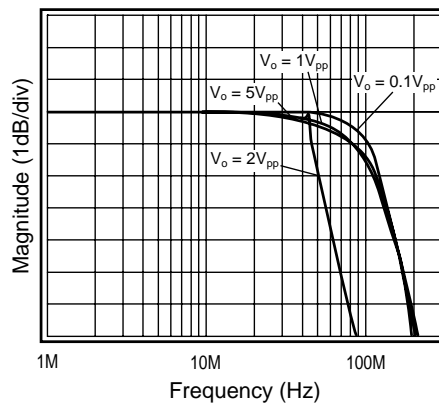
DS015003-22

Frequency Response vs. V_O ($A_V = 1$)



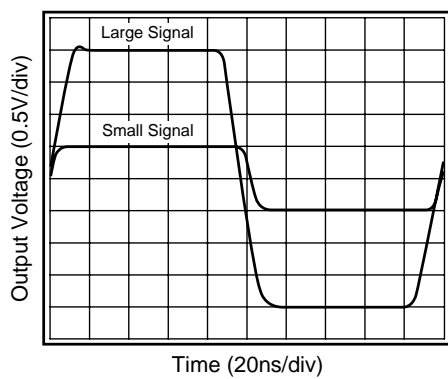
DS015003-23

Frequency Response vs. V_O ($A_V = -1$)



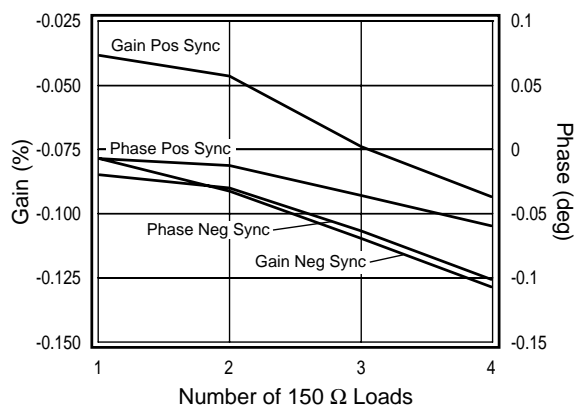
DS015003-24

Large & Small Signal Pulse Response



DS015003-25

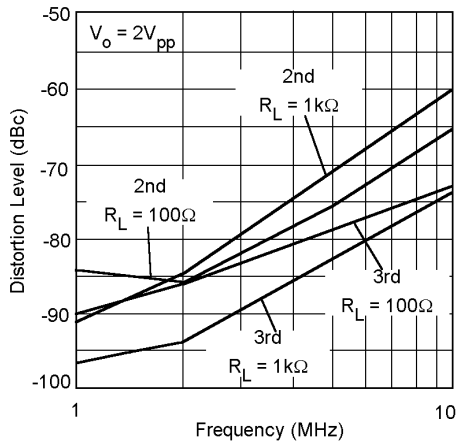
Differential Gain & Phase



DS015003-26

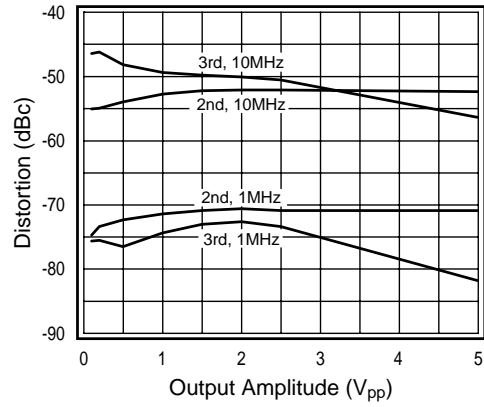
±5V Typical Performance Characteristics ($A_V = +2$, $R_L = 100\Omega$, $V_{CC} = \pm 5V$; Unless Specified) (Continued)

2nd & 3rd Harmonic Distortion vs. Frequency



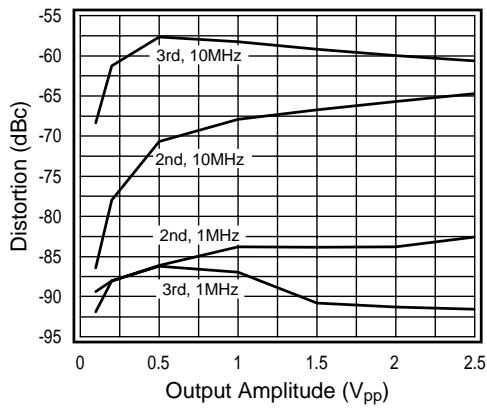
DS015003-27

2nd & 3rd Harmonic Distortion, $R_L = 25\Omega$



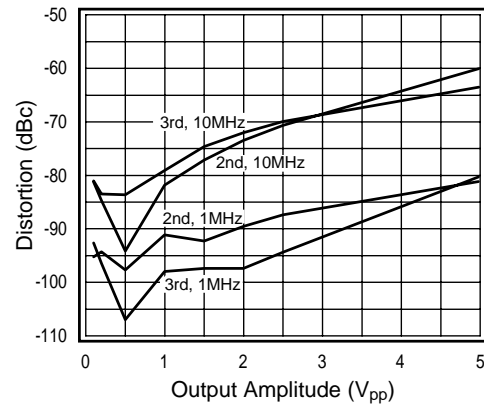
DS015003-28

2nd & 3rd Harmonic Distortion, $R_L = 100\Omega$



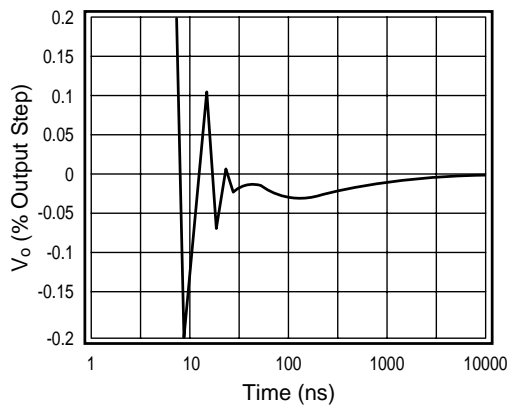
DS015003-29

2nd & 3rd Harmonic Distortion, $R_L = 1k\Omega$



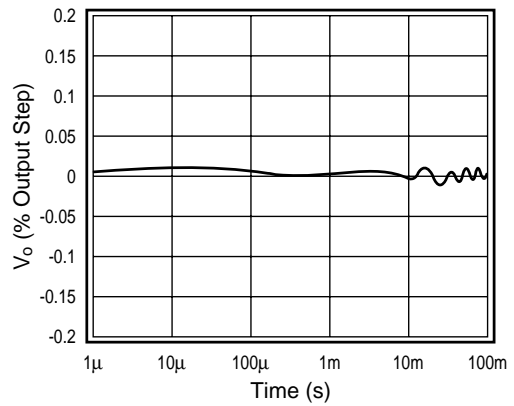
DS015003-30

Short Term Settling Time



DS015003-31

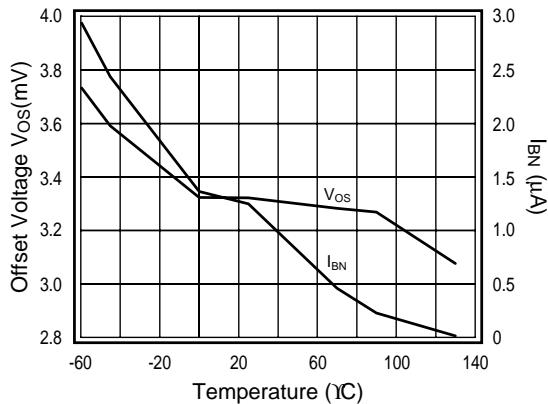
Long Term Settling Time



DS015003-32

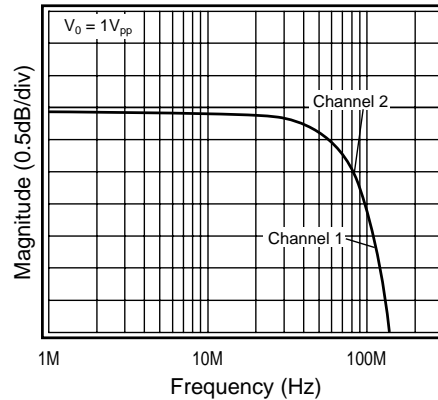
±5V Typical Performance Characteristics ($A_V = +2$, $R_L = 100\Omega$, $V_{CC} = \pm 5V$; Unless Specified) (Continued)

I_{BN} & V_{OS} vs. Temperature



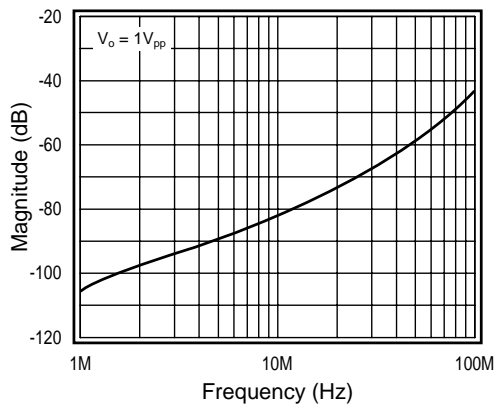
DS015003-33

Channel Matching



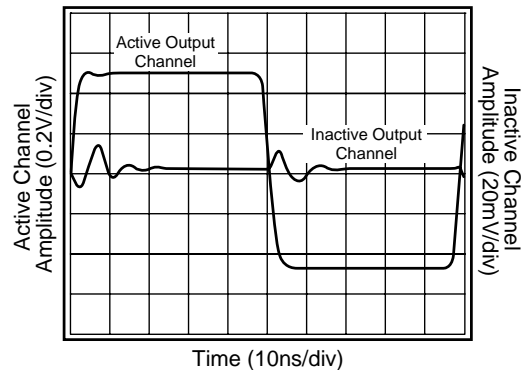
DS015003-34

Input Referred Crosstalk



DS015003-35

Pulse Crosstalk



DS015003-36

Application Division

CLC5632 Operation

The CLC5632 is a current feedback buffer fabricated in an advanced complementary bipolar process. The CLC5632 operates from a single 5V supply or dual $\pm 5V$ supplies. Operating from a single 5V supply, the CLC5632 has the following features:

- Gains of ± 1 , -1 , and $2V/V$ are achievable without external resistors
- Provides 100mA of output current while consuming only 15mW of power
- Offers low $-79/-81$ dBc 2nd & 3rd harmonic distortion
- Provides BW80MHz and 1MHz distortion < -75 dBc at $V_o = 2V_{pp}$

The CLC5632 performance is further enhanced in $\pm 5V$ supply applications as indicated in the **±5V Electrical Characteristics** table and the **±5V Typical Performance** plots.

If gains other than $+1$, -1 , or $+2V/V$ are required, then the CLC5602 can be used. The CLC5602 is a current feedback amplifier with near identical performance and allows for external feedback and gain setting resistors.

Current Feedback Amplifiers

Some of the key features of current feedback technology are:

- Independence of AC bandwidth and voltage gain
- Inherently stable at unit gain
- Adjustable frequency response with feedback resistor
- High slew rate
- Fast Settling

Current feedback operation can be described using a simple equation. The voltage gain for non-inverting or inverting current feedback amplifier is approximated by Equation 1.

$$\frac{V_o}{V_{in}} = \frac{A_V}{1 + \frac{R_f}{Z(j\omega)}} \quad (1)$$

where:

- A_V is the closed loop DC voltage gain
- R_f is the feedback resistor
- $Z(j\omega)$ is the CLC5632's open loop transimpedance gain

Application Division (Continued)

- $Z(j\omega)/R_f$ is the loop gain

The denominator of Equation 1 is approximately equal to 1 at low frequencies. Near the -3dB corner frequency, the interaction between R_f and $Z(j\omega)$ dominates the circuit performance. The value of the feedback resistor has a large affect on the circuits performance. Increasing R_f has the following affects:

- Decreases loop gain
- Decreases bandwidth
- Reduces gain peaking
- Lowers pulse response overshoot
- Affects frequency response phase linearity

CLC5632 Design Information

Closed Loop Gain Selection

The CLC5632 is a current feedback op amp with $R_f = R_g = 1\text{k}\Omega$ on chip (in the package). Select from three closed loop gains without using any external gain or feedback resistors. Implement gains of $+2$, $+1$, and -1V/V by connecting pins 2 and 3 (or 5 and 6) as described in the chart below.

Gain A_V	Input Connections	
	Non-Inverting (pins 3, 5)	Inverting (pins 2, 6)
-1V/V	ground	input signal
$+1\text{V/V}$	input signal	NC (open)
$+2\text{V/V}$	input signal	ground

The gain accuracy of the CLC5632 is excellent and stable over temperature change. The internal gain setting resistors, R_f and R_g are diffused silicon resistors with a process variation of $\pm 20\%$ and a temperature coefficient of $-2000\text{ppm}/^\circ\text{C}$. Although their absolute values change with processing and temperature, their ratio (R_f/R_g) remains constant. If an external resistor is used in series with R_g , gain accuracy over temperature will suffer.

Single Supply Operation ($V_{CC} = +5\text{V}$, $V_{EE} = \text{GND}$)

The specifications given in the **+5V Electrical Characteristics** table for single supply operation are measured with a common mode voltage (V_{CM}) of 2.5V . V_{CM} is the voltage around which the inputs are applied and the output voltages are specified.

Operating from a single $+5\text{V}$ supply, the Common Mode Input Range (CMIR) of the CLC5632 is typically $+0.8\text{V}$ to $+4.2\text{V}$. The typical output range with $R_L = 100\Omega$ is $+1.0\text{V}$ to $+4.0\text{V}$.

For single supply DC coupled operation, keep input signal levels above 0.8V DC, AC coupling and level shifting the signal are recommended. The non-inverting and inverting configurations for both input conditions are illustrated in the following 2 sections.

DC Coupled Single Supply Operation

Figure 1, Figure 2, and Figure 3 on the following page, show the recommended configurations for input signals that remain above 0.8V DC.

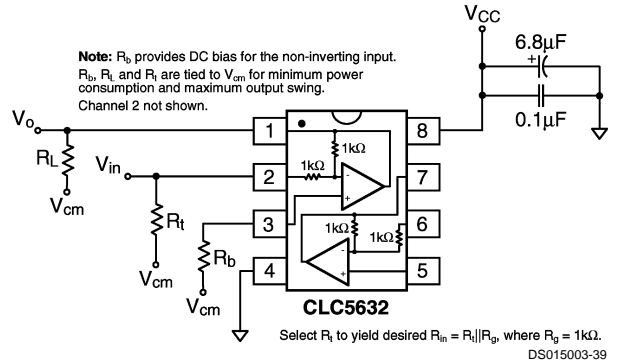


FIGURE 1. DC Coupled, $A_V = -1\text{V/V}$ Configuration

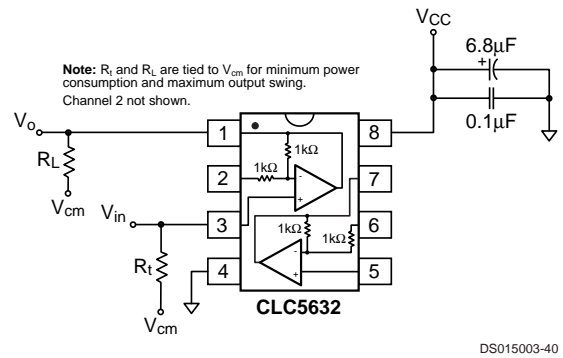


FIGURE 2. DC Coupled, $A_V = +1\text{V/V}$ Configuration

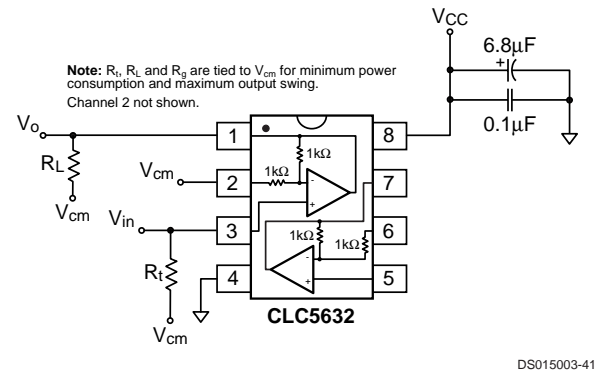


FIGURE 3. DC Coupled, $A_V = +2\text{V/V}$ Configuration

Application Division (Continued)

AC Coupled Single Supply Operation

Figure 4, Figure 5, and Figure 6 show possible non-inverting and inverting configurations for input signals that go below 0.8V DC.

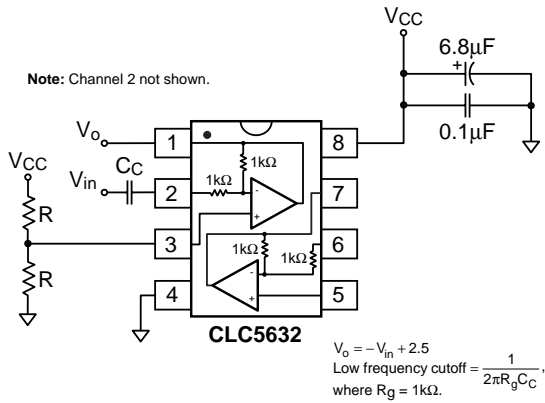


FIGURE 4. AC Coupled, $A_v = -1/V$ Configuration

The input is AC coupled to prevent the need for level shifting the input signal at the source. The resistive voltage divider biases the non-inverting input to $V_{CC} \div 2 = 2.5V$ (For $V_{CC} = +5V$)

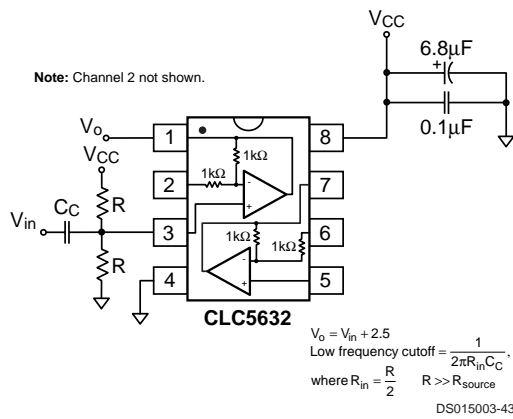


FIGURE 5. AC Coupled, $A_v = +1/V$ Configuration

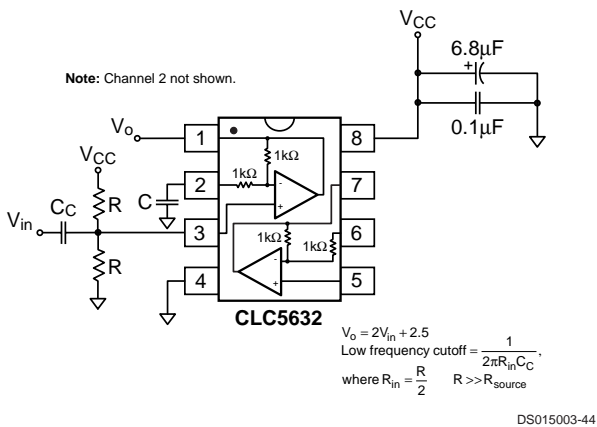


FIGURE 6. AC Coupled, $A_v = +2V/V$ Configuration

Dual Supply Operation

The CLC5632 operates on dual supplies as well as single supplies. The non-inverting and inverting configurations are shown in Figure 7, , and .

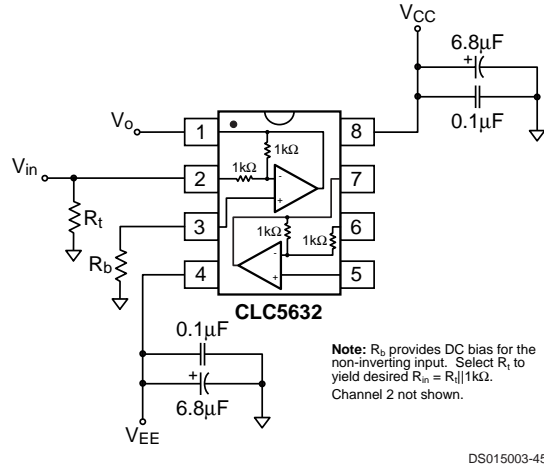


FIGURE 7. Dual Supply, $A_v = -1/V$ Configuration

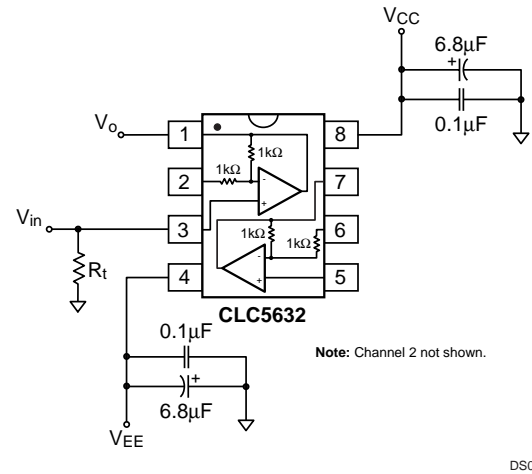


FIGURE 8. Dual Supply, $A_v = +1/V$ Configuration

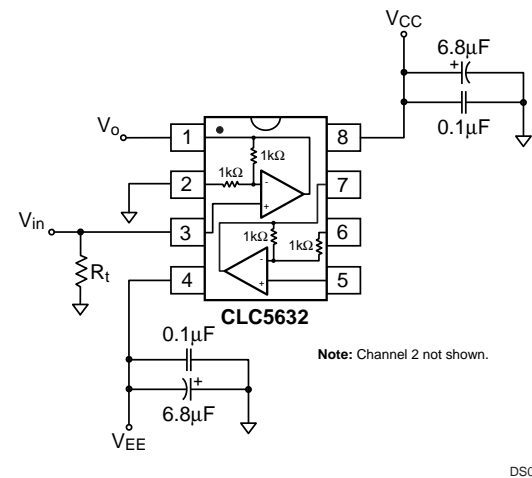


FIGURE 9. Dual Supply, $A_v = +2V/V$ Configuration

Application Division (Continued)

Load Termination

The CLC5632 can source and sink near equal amounts of current. For optimum performance, the load should be tied to V_{CM} .

Driving Cables and Capacitive Loads

When driving cables, double termination is used to prevent reflections. For capacitive load applications, a small series resistor at the output of the CLC5632 will improve stability and settling performance. The **Frequency Response vs. C_L** plot, shown below in *Figure 10*, gives the recommended series resistance value for optimum flatness at various capacitive loads.

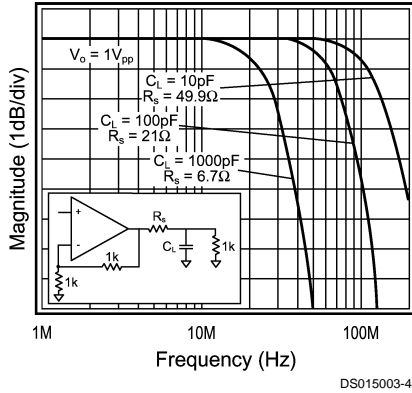


FIGURE 10. Frequency Response vs. C_L

Transmission Line Matching

One method for matching the characteristic impedance (Z_O) of a transmission line or cable is to place the appropriate resistor at the input or output of the amplifier. *Figure 11* shows typical inverting and non-inverting circuit configurations for matching transmission lines.

Non-Inverting gain applications:

- Connect pin 2 as indicated in the table in the **Closed Loop Gain Selection** section.
- Make R_1 , R_2 , R_6 , and R_7 equal to Z_O .
- Use R_3 to isolate the amplifier from reactive loading caused by the transmission line, or by parasitics.

Inverting gain applications:

- Connect R_3 directly to ground.
- Make the resistors R_4 , R_6 , and R_7 equal to Z_O .
- Make $R_5 \parallel R_9 = Z_O$.

The input and output matching resistors attenuate the signal by a factor of 2, therefore additional gain is needed. Use C_6 to match the output transmission line over a greater frequency range. C_6 compensates for the increase of the amplifier's output impedance with frequency.

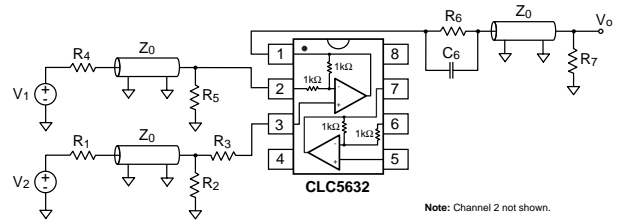


FIGURE 11. Transmission Line Matching

Power Dissipation

Follow these steps to determine the power consumption of the CLC5632:

1. Calculate the quiescent (no-load) power: $P_{amp} = I_{CC} (V_{CC} - V_{EE})$
2. Calculate the RMS power at the output stage: $P_O = (V_{CC} - V_{load}) (I_{load})$, where V_{load} and I_{load} are the RMS voltage and current across the external load.
3. Calculate the total RMS power: $P_t = P_{amp} + P_O$ The maximum power that the DIP and SOIC, packages can dissipate at a given temperature is illustrated in *Figure 12*. The power derating curve for any CLC5632 package can be derived by utilizing the following equation:

$$\frac{(150^\circ - T_{amb})}{\theta_{JA}}$$

where

T_{amb} = Ambient temperature ($^\circ C$)

θ_{JA} = Thermal resistance, from junction to ambient, for a given package ($^\circ C/W$)

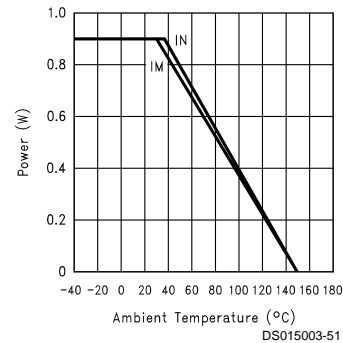


FIGURE 12. Power Derating Curve

Layout Considerations

A proper printed circuit layout is essential for achieving high frequency performance. National provides evaluation boards for the CLC5632 (CLC730038-DIP, CLC730036-SOIC) and suggests their use as a guide for high frequency layout and as an aid for device testing and characterization.

General layout and supply bypassing play major roles in high frequency performance. Follow the steps below as a basis for high frequency layout:

- Include 6.8 μF tantalum and 0.1 μF ceramic capacitors on both supplies.
- Place the 6.8 μF capacitors within 0.75 inches of the power pins.
- Place the 0.1 μF capacitors less than 0.1 inches from the power pins.

Application Division (Continued)

- Remove the ground plane under and around the part, especially near the input and output pins to reduce parasitic capacitance.
- Minimize all trace lengths to reduce series inductances.
- Use flush-mount printed circuit board pins for prototyping, never use high profile DIP sockets.

Evaluation Board Information

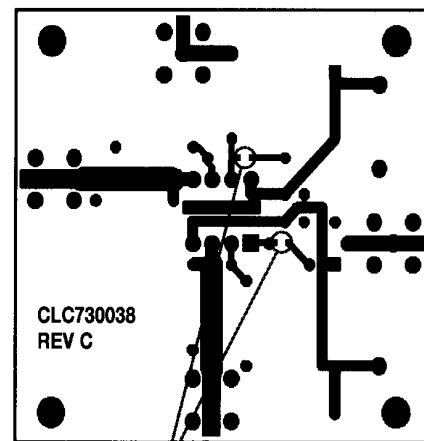
A data sheet is available for the CLC730038/CLC730036 evaluation boards. The evaluation board data sheets provide:

- Evaluation board schematics
- Evaluation board layouts
- General information about the boards

The evaluation boards are designed to accommodate dual supplies. The boards can be modified to provide single supply operation. For best performance; 1) do not connect the unused supply, 2) ground the unused supply pin.

Special Evaluation Board Considerations for the CLC5632

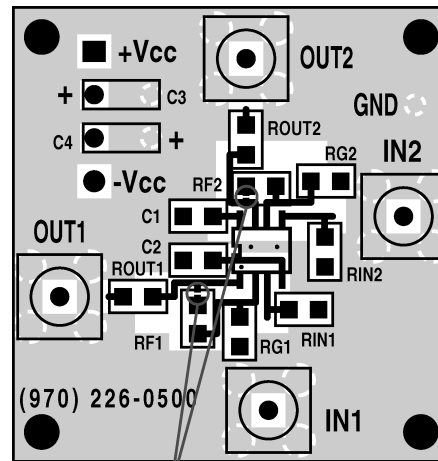
To optimize off-isolation of the CLC5632, cut the R_f trace on both the CLC730038 and the CLC730036 evaluation boards. This cut minimizes capacitive feedthrough between the input and the output. *Figure 13* shows where to cut both evaluation boards for improved off-isolation.



Cut traces here

DS015003-61

730036 Top



Cut traces here

DS015003-52

FIGURE 13. Evaluation Board Changes

SPICE Models

SPICE models provide a means to evaluate amplifier designs. Free SPICE models are available for National's monolithic amplifiers that:

- Support Berkeley SPICE 2G and its many derivatives
- Reproduce typical DC, AC, Transient, and Noise performance
- Support room temperature simulations

The **readme** file that accompanies the diskette lists released models, and provides a list of modeled parameters. The application note OA-18, Simulation SPICE Models for National's Op Amps, contains schematics and a reproduction of the readme file.

Application Circuits

Single Supply Cable Driver

Figure 14 below shows the CLC5632 driving 10m of 75 Ω coaxial cable. The CLC5632 is set for a gain of $+2V/V$ to compensate for the divide-by-two voltage drop at V_O . The response after 10m of cable is illustrated in *Figure 15*

Application Division (Continued)

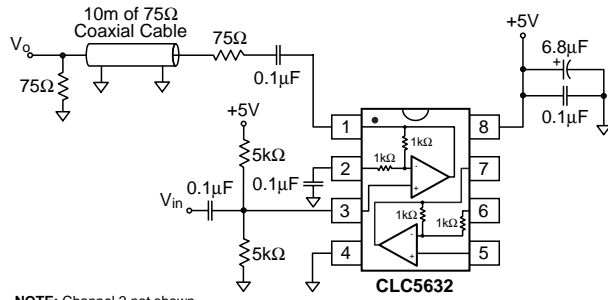


FIGURE 14. Single Supply Cable Driver

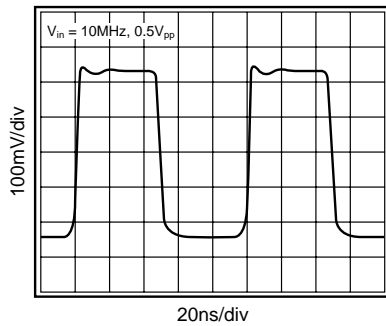
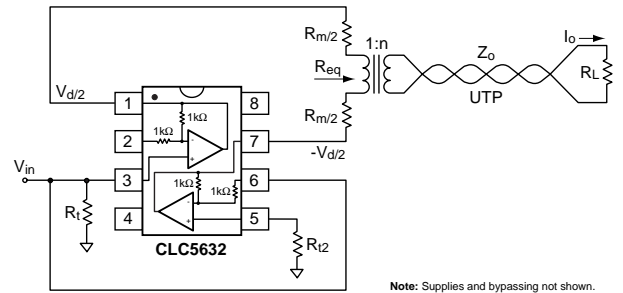


FIGURE 15. Response After 10m of Cable

Differential Line Driver with Load Impedance Conversion

The circuit shown in the **Typical Application** schematic on the front page and in *Figure 16*, operates as a differential line driver. The transformer converts the load impedance to a value that best matches the CLC5632's output capabilities. The single-ended input signal is converted to a differential signal by the CLC5632. The line's characteristic impedance is matched at both the input and the output. The schematic shows Unshielded Twisted Pair for the transmission line; other types of lines can also be driven.



Note: Supplies and bypassing not shown. DS015003-55

FIGURE 16. Differential Line Driver with Load Impedance Conversion

Set up the CLC5632 as a difference amplifier:

- Set the Channel 1 amplifier to a gain of $+1V/V$
- Set the Channel 2 amplifier to a gain of $-1V/V$

Make the best use of the CLC5632's output drive capability as follows:

$$R_m + R_{eq} = \frac{2 \cdot V_{max}}{I_{max}}$$

where R_{eq} is the transformed value of the load impedance, V_{max} is the output Voltage Range, and I_{max} is the maximum Output Current.

Match the line's characteristic impedance:

$$R_L = Z_0$$

$$R_m = R_{eq}$$

$$n = \sqrt{\frac{R_L}{R_{eq}}}$$

Select the transformer so that it loads the line with a value very near Z_0 over frequency range. The output impedance of the CLC5632 also affects the match. With an ideal transformer we obtain:

$$\text{Return Loss} = -20 \cdot \log_{10} \left| \frac{n^2 \cdot Z_0(5632)(j\omega)}{Z_0} \right|, \text{ dB}$$

where $Z_0(5632)(j\omega)$ is the output impedance of the CLC5632 and $|Z_0(5632)(j\omega)| < R_m$.

The load voltage and current will fall in the ranges:

$$\left| V_o \right| \leq n \cdot V_{max}$$

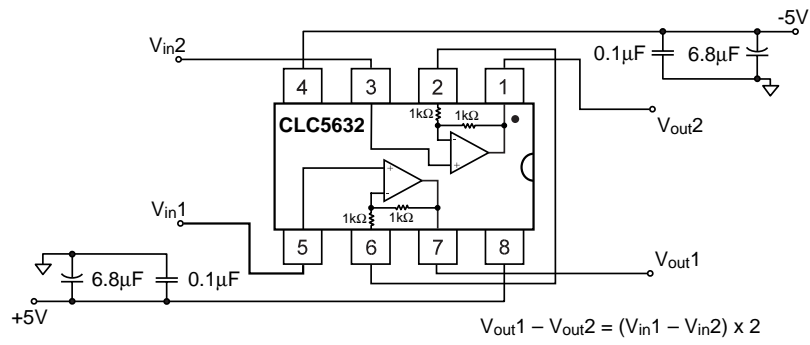
$$\left| I_o \right| \leq \frac{I_{max}}{n}$$

The CLC5632's high output drive current and low distortion make it a good choice for this application.

Differential Input/Differential Output Amplifier

below illustrates a differential input/differential output configuration. The bypass capacitors are the only external components required.

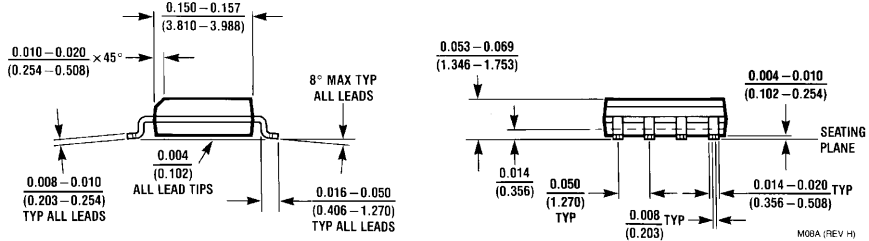
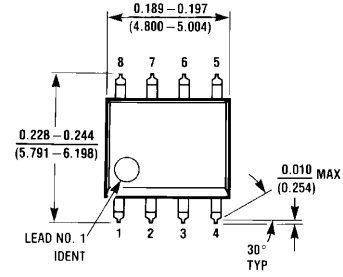
Application Division (Continued)



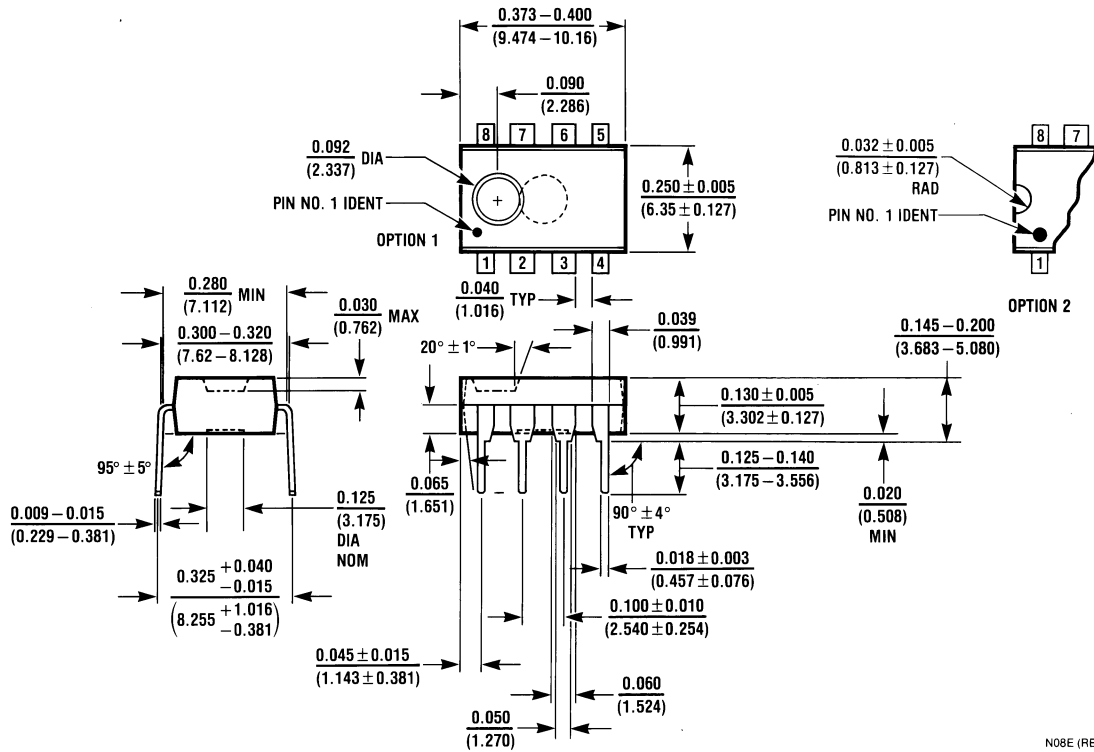
DS015003-60

FIGURE 17. Differential Input/Differential Output Amplifier

Physical Dimensions inches (millimeters) unless otherwise noted



8-Pin SOIC
NSC Package Number M08A



8-Pin MDIP
NSC Package Number N08E

Notes

LIFE SUPPORT POLICY

NATIONAL'S PRODUCTS ARE NOT AUTHORIZED FOR USE AS CRITICAL COMPONENTS IN LIFE SUPPORT DEVICES OR SYSTEMS WITHOUT THE EXPRESS WRITTEN APPROVAL OF THE PRESIDENT AND GENERAL COUNSEL OF NATIONAL SEMICONDUCTOR CORPORATION. As used herein:

1. Life support devices or systems are devices or systems which, (a) are intended for surgical implant into the body, or (b) support or sustain life, and whose failure to perform when properly used in accordance with instructions for use provided in the labeling, can be reasonably expected to result in a significant injury to the user.
2. A critical component is any component of a life support device or system whose failure to perform can be reasonably expected to cause the failure of the life support device or system, or to affect its safety or effectiveness.



National Semiconductor Corporation
Americas
Tel: 1-800-272-9959
Fax: 1-800-737-7018
Email: support@nsc.com
www.national.com

National Semiconductor Europe
Fax: +49 (0) 180-530 85 86
Email: europe.support@nsc.com
Deutsch Tel: +49 (0) 69 9508 6208
English Tel: +44 (0) 870 24 0 2171
Français Tel: +33 (0) 1 41 91 8790

National Semiconductor Asia Pacific Customer Response Group
Tel: 65-2544466
Fax: 65-2504466
Email: ap.support@nsc.com

National Semiconductor Japan Ltd.
Tel: 81-3-5639-7560
Fax: 81-3-5639-7507

IMPORTANT NOTICE

Texas Instruments Incorporated and its subsidiaries (TI) reserve the right to make corrections, modifications, enhancements, improvements, and other changes to its products and services at any time and to discontinue any product or service without notice. Customers should obtain the latest relevant information before placing orders and should verify that such information is current and complete. All products are sold subject to TI's terms and conditions of sale supplied at the time of order acknowledgment.

TI warrants performance of its hardware products to the specifications applicable at the time of sale in accordance with TI's standard warranty. Testing and other quality control techniques are used to the extent TI deems necessary to support this warranty. Except where mandated by government requirements, testing of all parameters of each product is not necessarily performed.

TI assumes no liability for applications assistance or customer product design. Customers are responsible for their products and applications using TI components. To minimize the risks associated with customer products and applications, customers should provide adequate design and operating safeguards.

TI does not warrant or represent that any license, either express or implied, is granted under any TI patent right, copyright, mask work right, or other TI intellectual property right relating to any combination, machine, or process in which TI products or services are used. Information published by TI regarding third-party products or services does not constitute a license from TI to use such products or services or a warranty or endorsement thereof. Use of such information may require a license from a third party under the patents or other intellectual property of the third party, or a license from TI under the patents or other intellectual property of TI.

Reproduction of TI information in TI data books or data sheets is permissible only if reproduction is without alteration and is accompanied by all associated warranties, conditions, limitations, and notices. Reproduction of this information with alteration is an unfair and deceptive business practice. TI is not responsible or liable for such altered documentation. Information of third parties may be subject to additional restrictions.

Resale of TI products or services with statements different from or beyond the parameters stated by TI for that product or service voids all express and any implied warranties for the associated TI product or service and is an unfair and deceptive business practice. TI is not responsible or liable for any such statements.

TI products are not authorized for use in safety-critical applications (such as life support) where a failure of the TI product would reasonably be expected to cause severe personal injury or death, unless officers of the parties have executed an agreement specifically governing such use. Buyers represent that they have all necessary expertise in the safety and regulatory ramifications of their applications, and acknowledge and agree that they are solely responsible for all legal, regulatory and safety-related requirements concerning their products and any use of TI products in such safety-critical applications, notwithstanding any applications-related information or support that may be provided by TI. Further, Buyers must fully indemnify TI and its representatives against any damages arising out of the use of TI products in such safety-critical applications.

TI products are neither designed nor intended for use in military/aerospace applications or environments unless the TI products are specifically designated by TI as military-grade or "enhanced plastic." Only products designated by TI as military-grade meet military specifications. Buyers acknowledge and agree that any such use of TI products which TI has not designated as military-grade is solely at the Buyer's risk, and that they are solely responsible for compliance with all legal and regulatory requirements in connection with such use.

TI products are neither designed nor intended for use in automotive applications or environments unless the specific TI products are designated by TI as compliant with ISO/TS 16949 requirements. Buyers acknowledge and agree that, if they use any non-designated products in automotive applications, TI will not be responsible for any failure to meet such requirements.

Following are URLs where you can obtain information on other Texas Instruments products and application solutions:

Products

Audio	www.ti.com/audio
Amplifiers	amplifier.ti.com
Data Converters	dataconverter.ti.com
DLP® Products	www.dlp.com
DSP	dsp.ti.com
Clocks and Timers	www.ti.com/clocks
Interface	interface.ti.com
Logic	logic.ti.com
Power Mgmt	power.ti.com
Microcontrollers	microcontroller.ti.com
RFID	www.ti-rfid.com
OMAP Mobile Processors	www.ti.com/omap
Wireless Connectivity	www.ti.com/wirelessconnectivity

Applications

Communications and Telecom	www.ti.com/communications
Computers and Peripherals	www.ti.com/computers
Consumer Electronics	www.ti.com/consumer-apps
Energy and Lighting	www.ti.com/energy
Industrial	www.ti.com/industrial
Medical	www.ti.com/medical
Security	www.ti.com/security
Space, Avionics and Defense	www.ti.com/space-avionics-defense
Transportation and Automotive	www.ti.com/automotive
Video and Imaging	www.ti.com/video

TI E2E Community Home Page

e2e.ti.com

Mailing Address: Texas Instruments, Post Office Box 655303, Dallas, Texas 75265
Copyright © 2011, Texas Instruments Incorporated