

# FPD03784

*FPD03784 Low Power, Low EMI, TFT-LCD Column Driver with Dual, TTL Bus Inputs, 64 Grayshades, and 384 Outputs for XGA/SXGA Applications*



Literature Number: SNOS954

## FPD03784

# Low Power, Low EMI, TFT-LCD Column Driver with Dual, TTL Bus Inputs, 64 Grayshades, and 384 Outputs for XGA/SXGA Applications

### General Description

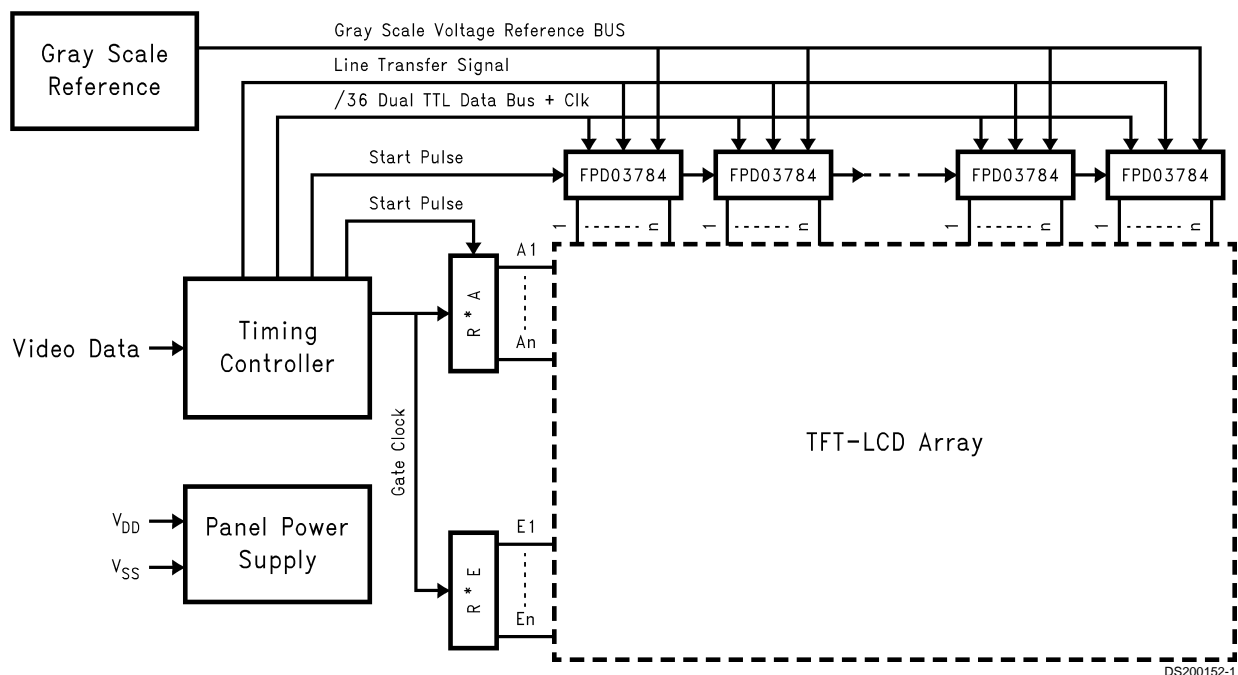
The FPD03784 Column Driver is a direct drive, 64 gray level, 384 output, TFT-LCD column driver with a dual bus, TTL data interface. It provides the capability to display 262,144 colors (18-bit color) with a large dynamic output range for twisted nematic applications. When used in a bank with other FPD03784 column drivers, the FPD03784 can support both XGA (8 drivers) or SXGA (10 drivers) applications. Output voltages are gamma corrected programmably to provide a direct mapping between digital video and LCD panel brightness.

The FPD03784 offers a low power, low EMI column driver solution with programmable output drive current and direct-drive dynamic range, and dot-inversion addressing.

### Features

- Up to 65 MHz clock
- Supports both XGA and SXGA timing
- Supports notebook and monitor applications
- Charge Conservation for low power consumption
- 64 Gray levels per color (18-bit color)
- Externally programmable 2.2 gamma characteristic
- Supports both Dot and N-Line inversion
- Externally programmable gamma characteristic
- Programmable drivability allows optimization for small or large panel applications
- Very low offsets for artifact-free images
- High voltage outputs for high contrast in a large range of display panel applications

### System Diagram



## Absolute Maximum Ratings (Note 1)

Analog Supply, ( $V_{DD2}$ ) (Note 2)	-0.3V to +10.5V
Logic Supply, ( $V_{DD1}$ ) (Note 2)	-0.3V to +5.0V
High Bias Supply, ( $V_{HBIAS}$ ) (Note 2)	-0.3V to +12.0V
Low-Polarity RDAC Reference Voltages, ( $V_{GMA7}$ to $V_{GMA12}$ ) (Note 2)	-0.3V to $0.5V_{DD2}$
High-Polarity RDAC Reference Voltages, ( $V_{GMA1}$ to $V_{GMA6}$ ) (Note 2)	$0.5V_{DD2} - 1.0V$ to $V_{DD2} + 0.3V$
RDAC Current (All Gamma Voltage Taps), ( $I_{GMA}$ to $I_{GMA12}$ )	-2.5mA to 2.5mA
Input Voltage (Digital Logic), ( $V_{IN}$ ) (Note 2)	-0.3V to $V_{DD1} + 0.3V$
Output Voltage, ( $V_{OUT}$ ) (Note 2)	-0.3V to $V_{DD2} + 0.3V$
Output Current (Analog), ( $I_{OUT}$ )	-7mA to +7mA
Input Current Source, ( $I_{SIN}$ )	-200 $\mu$ A to +200 $\mu$ A
Output Current Source, ( $I_{SOUT}$ )	-200 $\mu$ A to +200 $\mu$ A

IREF Current, ( $I_{REF}$ ) -1mA to +0.2mA

Storage Temperature Range, ( $T_S$ ) -55°C to +125°C

**Note 1:** "Absolute Maximum Ratings" are those values beyond which the safety of the device cannot be guaranteed. They are not meant to imply that the devices should be operated at these limits. The table of "Electrical Characteristics" specifies conditions of device operation.

**Note 2:** Absolute voltages referenced to  $V_{SS1} = V_{SS2} = 0.0V$ .

## Recommended Operating Conditions

	Min	Typ	Max	Units
Logic Supply Voltage ( $V_{DD1}$ ) (3.3V OR 2.5V)	3.0	3.3	3.6	V
Supply Voltage ( $V_{DD2}$ )	2.25	2.5	2.75	V
Operating Temperature ( $T_A$ )	7.5		9.5	V
	-10	+25	+70	°C

## DC Electrical Characteristics

### Digital Electrical Characteristics

Symbol	Parameter	Conditions	Min	Typ	Max	Units
$V_{IH}$	Input High Voltage		$0.7 V_{DD1}$			V
$V_{IL}$	Input Low Voltage				$0.3 V_{DD1}$	V
$V_{OH}$	Output High Voltage	$I_{OH} = -0.5mA$	$V_{DD1} - 0.5$			V
$V_{OL}$	Output Low Voltage	$I_{OL} = 0.5mA$			0.5	V
$I_{DD1}$	Logic Current	(Note 3)		0.6		mA
$I_{DD1}$	Logic Current	(Note 4)		0.36		mA
$I_{IH}$	Input Leakage	$V_{DD1} = 3.6V, V_{IN} = 3.6V$			1	$\mu$ A
$I_{IL}$	Input Leakage	$V_{DD1} = 3.6V, V_{IN} = 0V$			1	$\mu$ A
$C_{IN}$	Input Capacitance			2		pF

**Note 3:** CLK frequency = 32.5 MHz,  $V_{DD1} = 3.3V, V_{SS1} = V_{SS2} = 0.0V, R_{IREF} = 220 k\Omega$ , charge share time = 1.5 $\mu$ s, line time = 22 $\mu$ s.

**Note 4:** CLK frequency = 32.5 MHz,  $V_{DD1} = 2.5V, V_{SS1} = V_{SS2} = 0.0V, R_{IREF} = 220 k\Omega$ , charge share time = 1.5 $\mu$ s, line time = 22 $\mu$ s.

## Analog Electrical Characteristics

Symbol	Parameter	Conditions	Min	Typ	Max	Units
$I_{DD2}$	Supply Current Consumption	(Note 5)		4.0		mA
PD	Power Dissipation	(Note 5)		40		mW
$V_{GMA1}$	Upper RDAC High Side Input	(Note 6)	$V_{DD2}/2 + 0.2$		$V_{DD2} - 0.2$	V
$V_{GMA6}$	Upper RDAC Low Side Input	(Note 6)	$V_{DD2}/2 + 0.2$		$V_{DD2} - 0.2$	V
$V_{GMA7}$	Lower RDAC High Side Input	$V_{DD2} \geq 8.5V$ (Note 6)	0.2		$V_{DD2}/2 - 0.2$	V
		$V_{DD2} < 8.5V$	0.2		$V_{DD2}/2 - 0.4$	V
$V_{GMA12}$	Lower RDAC Low Side Input	(Note 6)	0.2		$V_{DD2}/2 - 0.2$	V
$V_{HBIAS}$	Voltage of High Bias Current Supply:	$V_{HBIAS} = V_{DD2}$	$V_{DD2}$		$V_{DD2}$	
		Separate $V_{HBIAS}$ Supply	$\geq V_{GMA1} + 1.5V$ and $\geq 8.5V$		$V_{DD2} + 2.0$	V
$V_{CS}$	Charge Share Voltage		The Greater of $V_{DD1}$ or $V_{GMA7}$		$V_{GMA6}$	V
$C_{LOAD}$	Output Capacitive Load		30		80	pF
$V_{OUT}$	Output Voltage Range		$V_{SS2} + 0.2$		$V_{DD2} - 0.2$	V
$A_{IREF}$	$I_{REF}$ to $I_{MAX}$ Gain Factor	(Note 7)	8	10	12	

## Analog Electrical Characteristics (Continued)

Symbol	Parameter	Conditions	Min	Typ	Max	Units
$A_{IHBIAS}$	$I_{SIN}$ to $I_{HBIAS}$ Gain Factor			22.5		
$R_{CSTIME}$	CSTIME resistance		5	12		k $\Omega$
$C_{CSTIME}$	CSTIME capacitance			100	150	pF
$I_{SIN}$	Input Current Source		16	40	100	$\mu$ A
$I_{REF}$	Amplifier Reference Current		10		75	$\mu$ A
$R_{DAC}$	RDAC References ( $V_{GMA1}$ to $V_{GMA6}$ and $V_{GMA7}$ to $V_{GMA12}$ )	each	12.0	15.0	18.0	k $\Omega$
$V_{pperr}$	Output Peak to Peak Error (gray levels 0 through 58)	$V_{GMA1} = V_{DD2} - 0.2V$ $V_{GMA12} = V_{SS2} + 0.2V$ (Note 8)		$\pm 3$	$\pm 12$	mV
	Output Peak to Peak Error (gray levels 59 through 63)			$\pm 5$	$\pm 25$	mV

**Note 5:**  $V_{DD2} = 9.5V$ ,  $V_{HBIAS} = 9.5V$ ,  $R_{IREF} = 220\text{ k}\Omega$ ,  $R_{ISIN} = 470\text{ k}\Omega$ ,  $V_{DD1} = 3.3V$ ,  $DCLK = 65\text{ MHz}$ ,  $R_{LOAD} = 5\text{ k}\Omega$ ,  $C_{LOAD} = 50\text{ pF}$ , charge share time =  $1.5\text{ }\mu\text{s}$ , all other swinging between  $V_{GMA1}$  (= 8.0V) and  $V_{GMA12}$  (= 0.5V) with a line time =  $22\text{ }\mu\text{s}$ .

**Note 6:** The following relationship must be maintained between the reference voltages:  $V_{DD2} > V_{GMA1} > V_{GMA2} > V_{GMA3} > V_{GMA4} > V_{GMA5} > V_{GMA6} > V_{GMA7} > V_{GMA8} > V_{GMA9} > V_{GMA10} > V_{GMA11} > V_{GMA12} > V_{SS2}$

**Note 7:**  $I_{MAX}$  is the current delivered into a potential of 0.2V when the output is commanded to a potential of  $V_{DD2} - 0.2V$  or the current into the output from a potential of  $V_{DD2} - 0.2V$  when the output is commanded to 0.2V ( $V_{SS2} = 0V$ ).

**Note 8:** This parameter reflects the error in peak-to-peak output voltage for each gray-level when the output swings from the gray-level high value,  $V_{Hxx}$ , to its low value,  $V_{Lxx}$ . This parameter applies to every output on the die. The **Typical** value represents one standard deviation from ideal based on tester data. The **Maximum** value is a constraint of the test environment, not the performance of the part.

**Note 9:** Current into device pins is defined as positive. Current out of device pins is defined as negative.

## AC Electrical Characteristics

### Digital AC Characteristics (3.3V Logic)

Symbol	Parameter	Conditions	Min	Typ	Max	Units
CLK	Data Clock Frequency	SINGLE = 1 (Note 10)			65.0	MHz
		SINGLE = 0 (Note 10)			27.5	MHz
$t_{WDCP}$	CLK Clock Pulse Width	SINGLE = 1 (Note 10)	5			ns
		SINGLE = 0 (Note 10)	10			ns
$t_{DSU}$	Data Setup DX[5:0], POL, INVTxxx		4			ns
$t_{DHLD}$	Data Hold DX[5:0], POL, INVTxxx		4			ns
$t_{TWP}$	$\overline{LOAD}$ Pulse Width		50			ns
$t_{LDENSU}$	$\overline{LOAD}$ to First ENIO Setup	(Note 11)	200			ns
$t_{ENDCSU}$	ENIOx Input to CLK Setup		2.5			ns
$t_{WEN}$	ENIOx Input Pulse Width		10			ns
$t_{ENPR}$	ENIOx Output Prop Delay	Load = 20pF			12	ns
$t_{LDLY}$	Delay to $\overline{LOAD}$ Pulse		3			CLKs

### Digital AC Characteristics (2.5V Logic)

Symbol	Parameter	Conditions	Min	Typ	Max	Units
CLK	Data Clock Frequency	SINGLE = 1 (Note 10)			40.0	MHz
		SINGLE = 0 (Note 10)			17.5	MHz
$t_{WDCP}$	CLK Clock Pulse Width	SINGLE = 1 (Note 10)	10			ns
		SINGLE = 0 (Note 10)	25			ns
$t_{DSU}$	Data Setup DX[5:0], POL, INVTxxx		4			ns
$t_{DHLD}$	Data Hold DX[5:0], POL, INVTxxx		6			ns
$t_{TWP}$	$\overline{LOAD}$ Pulse Width		50			ns
$t_{LDENSU}$	$\overline{LOAD}$ to First ENIO Setup	(Note 11)	200			ns
$t_{ENDCSU}$	ENIOx Input to CLK Setup		4			ns

## Digital AC Characteristics (2.5V Logic) (Continued)

Symbol	Parameter	Conditions	Min	Typ	Max	Units
$t_{WEN}$	ENIOx Input Pulse Width		12			ns
$t_{ENPR}$	ENIOx Output Prop Delay	Load = 20pF			19	ns
$t_{LDLY}$	Delay to $\overline{LOAD}$ Pulse		3			CLKs

**Note 10:** Rise/Fall = 2.0ns max (10% to 90%)

**Note 11:** Does not need to be synchronous to clock.

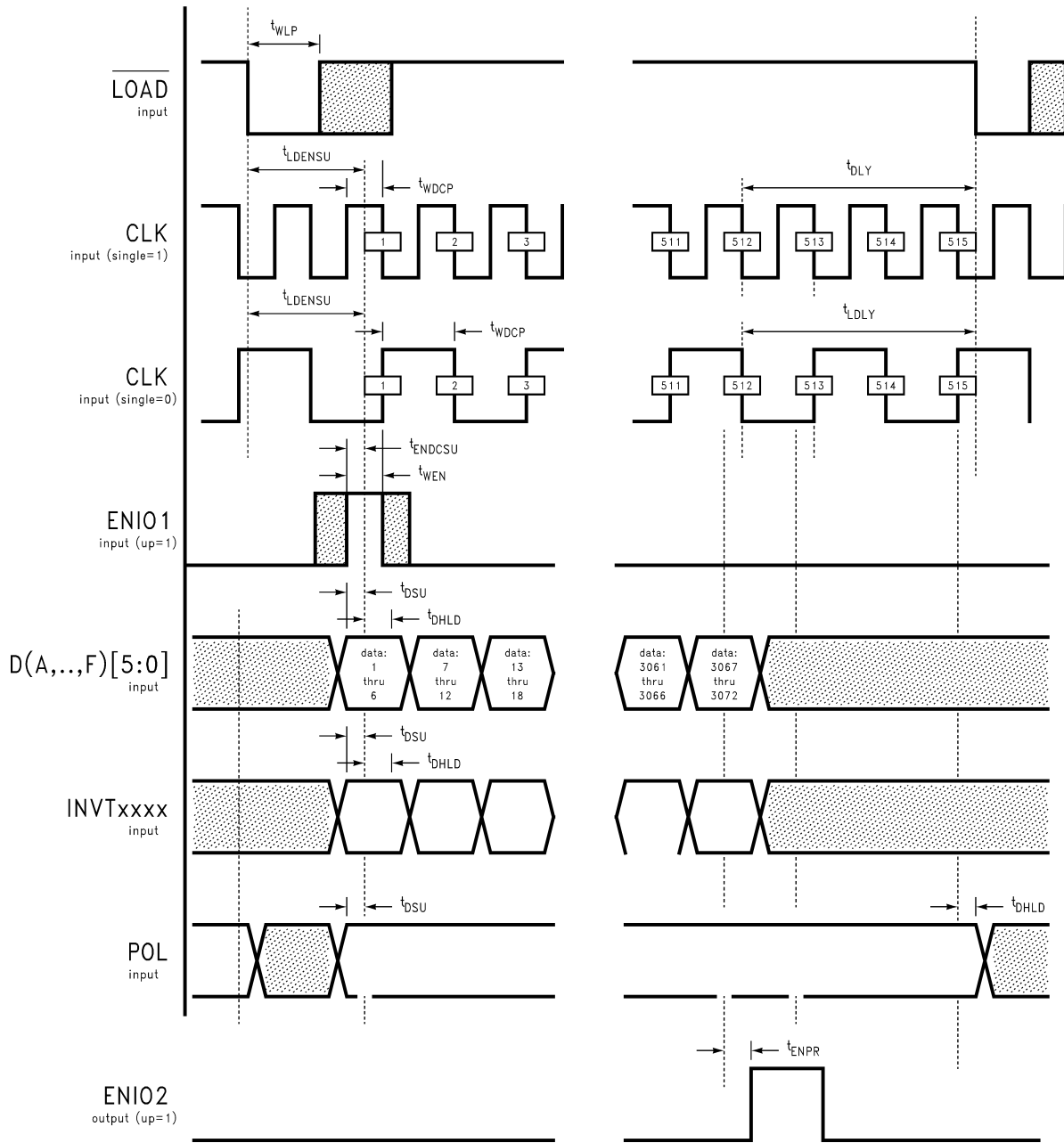
## Analog AC Characteristics

Supplies:  $V_{SS1} = V_{SS2} = 0.0V$ ,  $V_{DD1} = 3.3V$ ,  $V_{DD2} = +9.5V$ ,  $V_{HBIAS} = 11.0V$ .

Symbol	Parameter	Conditions	Min	Typ	Max	Units
$t_{settle\ 90\%}$	Output Settling Time to 90% of Final Value	$R_{LOAD} = 5k\Omega$ , $C_{LOAD} = 40\ pF$ (Note 12)		2.4		$\mu s$
$t_{settle\ 99\%}$	Output Settling Time to 99% of Final Value	$R_{LOAD} = 5k\Omega$ , $C_{LOAD} = 40\ pF$ (Note 12)		2.8		$\mu s$

**Note 12:**  $I_{SIN} = 40\mu A$ ,  $I_{REF} = 45\mu A$ , Charge Share Time = 400ns,  $V_{GMA1} = 9.3V$ ,  $V_{GMA10} = 0.2V$ ,  $V_{GMA5} = 5.2V$ ,  $V_{GMA6} = 4.8V$ .

# Timing Diagrams

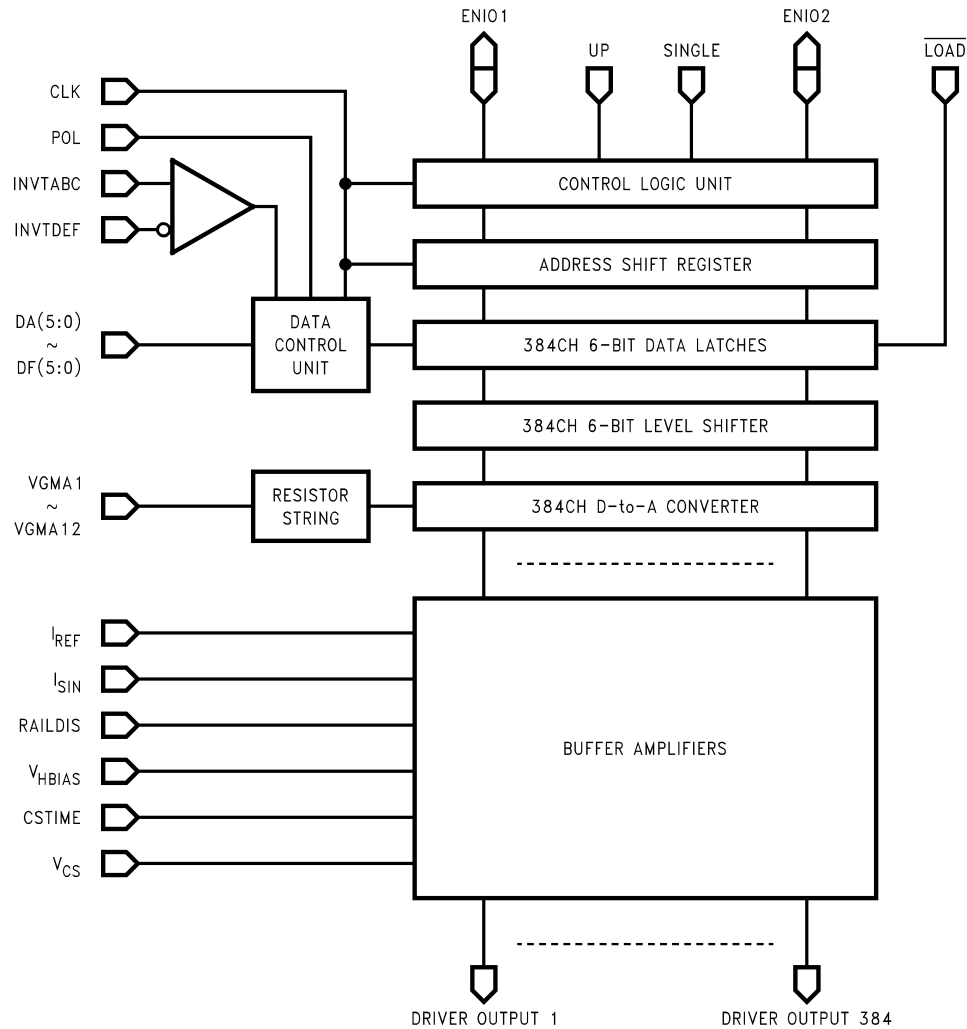


**Note 13:**  $\overline{\text{LOAD}}$  pulse is asynchronous to CLK. It must meet minimum pulse-width,  $t_{LDENSU}$  and  $t_{LDLY}$ .

**Note 14:** A minimum of 3 CLK cycles are required from the falling edge of CLK (on last data input to last chip) to the falling edge of the  $\overline{\text{LOAD}}$  pulse. After these 3 CLK cycles, CLK may be disabled.

DS200152-11

## Block Diagram



## Functional Description

### GENERAL OVERVIEW

The FPD03784 is a low power, low EMI, 384 output column driver with 64 gray level capability (6-bit). It provides direct drive for TFT-LCD displays, eliminating the need for  $V_{com}$  modulation. Direct drive significantly reduces system power consumption and also reduces component count while providing superior image quality and cross-talk margin. The FPD03784 utilizes National's *Charge Conservation Technology* that recovers energy stored in the capacitance of the column lines to reduce power consumption further.

The FPD03784 is designed for use in systems using dot inversion as the method of polarity inversion. Column inversion and N-line inversion are also supported. Other modes of polarity inversion including line inversion and frame inversion are not supported.

Digital video data inputs to the FPD03784 are received on six, six bit wide busses (dual bank, RGB busses) using TTL signaling. The digital video commands one of 64 gray level voltages on each output. Output voltages are driven with individual high drive, low offset, programmable-slew-rate, operational amplifiers. Data loading and line buffering is accomplished by means of an internal, bi-directional shift register.

### GAMMA CORRECTION

The FPD03784 is designed to offer compatibility with a wide range of panel gamma characteristics. The output voltage levels corresponding to each of the 64 gray level commands can be externally adjusted to match the desired gamma characteristics of the display by means of two internal resistor-string DACs (RDACs). One RDAC provides the high-polarity output voltages (voltages higher than  $V_{com}$ ) and the other provides the low-polarity output voltages (voltages lower than  $V_{com}$ ).

The default RDAC resistance values have been carefully designed to provide a smooth 2.2 gamma characteristic in a twisted nematic (TN) display. This is especially useful for monitor applications. Consequently, most application designs will only need to provide references for each of the two ends of the two RDACs (four gamma references). Additional, intermediate taps to the RDAC are also provided for optional customization of the display gamma for contrast control as an example.

### CHARGE CONSERVATION TECHNOLOGY

National Semiconductor's proprietary charge conservation technology significantly reduces power consumption. Charge conservation works by briefly switching all of the columns at the start of each line to a common node. This has

## Functional Description (Continued)

the effect of redistributing the charge stored in the capacitance of the panel columns. Since half the columns are at voltages more positive than  $V_{com}$  and half are more negative, this redistribution of charge or “charge-sharing” has the effect of pulling all of the columns to a neutral voltage near the middle of the driver’s dynamic range. Thus, the voltages on all the columns are driven approximately halfway toward their next value with no power expended. This dramatically reduces panel power dissipation (up to a theoretical limit of 50%) compared to conventional drivers which must drive each column through the entire voltage swing every time polarity is reversed.

### PIN DESCRIPTIONS

The pin order configuration for the FPD03784 is shown in fig. 3. Optional pins do not need to be carried off a custom TCP or COP package but may require a connection to a neighboring pad on the die by a tie on the tape. The following paragraphs describe the function of the FPD03784 pins.

#### CSTIME — CHARGE SHARE TIME (INPUT)

The input controls how long the outputs are in charge share mode following each  $\overline{LOAD}$  signal. The CSTIME input from all of the column drivers should be tied together and connected to VSS1 through a parallel combination of RC. The charge time is determined by the equation:

$$T_{charge\ share} = 0.69 RC$$

A typical capacitance of 100pF should be chosen to swamp parasitic board and I/O pin effects. See Figure 1.

#### CLK — DATA CLOCK (INPUT)

Clock input for data on Dx[0:5].

#### DX[5:0] — DATA BUS (INPUT)

DA[5:0] — Data Input Pins for OUTPUTS 1, 7...379

DB[5:0] — Data Input Pins for OUTPUTS 2, 8...380

DC[5:0] — Data Input Pins for OUTPUTS 3, 9...381

DD[5:0] — Data Input Pins for OUTPUTS 4, 10...382

DE[5:0] — Data Input Pins for OUTPUTS 5, 11...383

DF[5:0] — Data Input Pins for OUTPUTS 6, 12...384

#### ENIO1/ENIO2 — DATA LOADING ENABLE 1 AND 2 (I/O)

If UP = H, then the ENIO1 pin is configured as an input and the ENIO2 pin is configured as an output. If UP = L, then the ENIO2 pin is configured as an input and the ENIO1 pin is configured as an output.

#### INVTABC — DIGITAL DATA INVERT (INPUT)

When INVERT = L, input data from DA[0:5], DB[0:5] and DC[0:5] is inverted. The INVTABC pin can be tied to INVTDEF on the TCP to form a single INVERT pin, or operated independently from each other.

#### INVTDEF — DIGITAL DATA INVERT (INPUT)

When INVERT = H, input data from DD[0:5], DE[0:5] and DF[0:5] is inverted. The INVTABC pin can be tied to INVTDEF on the TCP to form a single INVERT pin, or operated independently from each other.

#### I<sub>REF</sub> — REFERENCE CURRENT FOR OUTPUT DRIVE (INPUT)

The I<sub>REF</sub> input allows the designer to set the maximum output drive current (I<sub>MAX</sub>) of the FPD03784 suitable for the column line, RC network load. Current flow out of the I<sub>REF</sub> pin is used to set the rise and fall slew rate of the output waveform. This current is supplied through an external resistor (R<sub>IREF</sub>) tied between the I<sub>REF</sub> pin (held by the FPD03784 at V<sub>DD1</sub>) and V<sub>SS1</sub>. Each driver IC must have a separate R<sub>IREF</sub> resistor (see Figure 1).

The I<sub>SIN</sub> current controls the bandwidth and settling performance of the FPD03784 output-stage amplifiers. Increasing I<sub>SIN</sub> increases the amplifier bandwidth and reduces settling time but also increases power consumption. Normally, I<sub>SIN</sub> is set to 40μA, which provides a good balance between power consumption and amplifier bandwidth. The flexibility to adjust I<sub>SIN</sub> accommodates very fast rise times (I<sub>SIN</sub> > 40μA) or applications where low power is of extreme interest (I<sub>SIN</sub> < 40μA).

#### I<sub>SIN</sub> — CURRENT SOURCE INPUT (INPUT)

The I<sub>SIN</sub> current controls the bandwidth and settling performance of the FPD03784 output-stage amplifiers. Increasing I<sub>SIN</sub> increases the amplifier bandwidth and reduces settling time but also increases power consumption. Normally, I<sub>SIN</sub> is set to 40μA, which provides a good balance between power consumption and amplifier bandwidth. The flexibility to adjust I<sub>SIN</sub> accommodates very fast rise times (I<sub>SIN</sub> > 40μA) or applications where low power is of extreme interest (I<sub>SIN</sub> < 40μA).

The I<sub>SIN</sub> current is supplied through an external resistor (R<sub>I<sub>SIN</sub></sub>) connected between the I<sub>SIN</sub> pin and V<sub>DD2</sub>. R<sub>I<sub>SIN</sub></sub> can be computed as follows:

$$R_{I_{SIN}} = \frac{V_{DD2} - 2}{I_{SIN}}$$

(I<sub>SIN</sub> normally = 40μA)

One resistor (R<sub>I<sub>SIN</sub></sub>) is needed for the entire display. This resistor is connected to the I<sub>SIN</sub> input of the first driver, and the current going into this pin is copied to the I<sub>SOUT</sub> output pin for cascading to the next driver. See Figure 1. Note that I<sub>HBIAS</sub> varies linearly with I<sub>SIN</sub>.

#### I<sub>SOUT</sub> — CURRENT SOURCE OUTPUT (OUTPUT)

This output pin supplies the I<sub>SIN</sub> current to the I<sub>SIN</sub> input pin of the next driver in the row (see Figure 1). The I<sub>SOUT</sub> pin of the last driver should be left floating. Optionally, this pin can be left floating on each driver if the designer wishes to provide a separate I<sub>SIN</sub> source to each driver. While this adds resistor component count, it reduces input lead count.

#### $\overline{LOAD}$ — DATA LOAD (INPUT)

The falling edge of  $\overline{LOAD}$  copies the digital video buffered by the shift register into a second latch beginning the D to A conversion. Immediately following the fall of  $\overline{LOAD}$ , the outputs are forced into charge share mode for the time set by the CSTIME input. The outputs then drive the D to A converted voltages following the CSTIME.

#### POL — POLARITY (INPUT)

When POL = L, odd numbered outputs (1, 3, 5, ...383) are controlled by VGMA7 through VGMA12 and even numbered outputs are controlled by VGMA1 through VGMA6. When POL = H, odd numbered outputs are controlled by VGMA1 through VGMA6 and even numbered outputs are controlled by VGMA7 through VGMA12.

#### SINGLE — SINGLE/DUAL-EDGE CLOCK ENABLE (INPUT)

This pin controls single/dual-edge clocking. When SINGLE is high, single-edge clocking is enabled, and input data is latched only on the falling edge of CLK. When SINGLE is low, dual-edge clocking is enabled, and input data is latched on both the rising and falling edges of CLK.

*Optional* — The SINGLE die pad is bounded on each side by a logic High and a logic Low pad. This allows the state of SINGLE to be chosen on the TCP to eliminate an input pin.

#### UP — DATA SHIFT DIRECTION — UP OR DOWN (INPUT)

The UP pin controls the data shift direction. If UP is high then data is shifted “up” from output 1 to output 384, ENIO1 is configured as an input, and ENIO2 is an output. If UP is low then data is shifted “down” from output 384 to output 1, ENIO2 is an input, and ENIO1 is an output.



## Functional Description (Continued)

*Optional* — The UP die pad is bounded on each side by a logic High and a logic Low pad. This allows the state of UP to be chosen on the TCP to eliminate an input pin.

### V<sub>CS</sub> — CHARGE SHARE VOLTAGE REFERENCE

This input provides the reference for the common node voltage during charge share time.

### V<sub>DD1</sub> — DIGITAL VOLTAGE SUPPLY

Positive supply voltage for the digital logic functions of the driver.

### V<sub>DD2</sub> — ANALOG VOLTAGE SUPPLY

Positive supply voltage for the analog functions of the driver.

### V<sub>GMA1</sub>–V<sub>GMA12</sub> — RDAC REFERENCES (INPUTS)

The reference voltages to the upper and lower RDACs used to control the inverse gamma transfer function of the driver.

*Option* – Any or all of the inputs V<sub>GMA2</sub> through V<sub>GMA5</sub> and V<sub>GMA8</sub> through V<sub>GMA11</sub> can be left undriven (floating) at the designer's option to eliminate input pins and/or external reference circuitry.

### V<sub>HBIAS</sub> — HIGH BIAS CURRENT VOLTAGE SUPPLY

Optional positive supply voltage that provides a constant bias current to the output amplifiers to extend dynamic range. When separately provided, V<sub>HBIAS</sub> must be 1.5V greater than V<sub>GMA1</sub> (see Table iii for limits). When not separately provided, V<sub>HBIAS</sub> must be supplied by V<sub>DD2</sub>. In this configuration, V<sub>GMA1</sub> must be held at or below V<sub>DD2</sub> – 1.5V (see table iii for limits).

### V<sub>SS1</sub> — DIGITAL GROUND

Digital ground reference voltage.

### V<sub>SS2</sub> — ANALOG GROUND

Analog ground reference voltage.

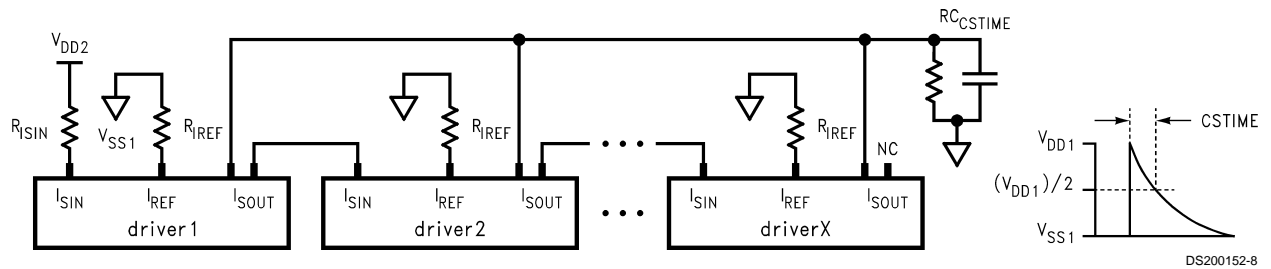
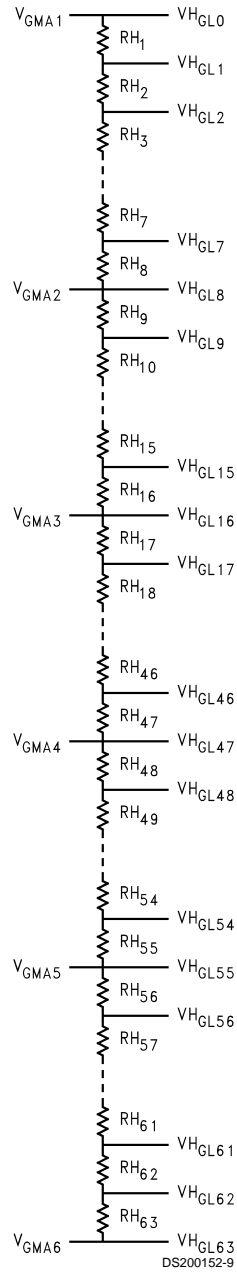


FIGURE 1. External Components and Connections for the I<sub>REF</sub>, I<sub>SIN</sub> and I<sub>SOUT</sub> Pins

Functional Description (Continued)

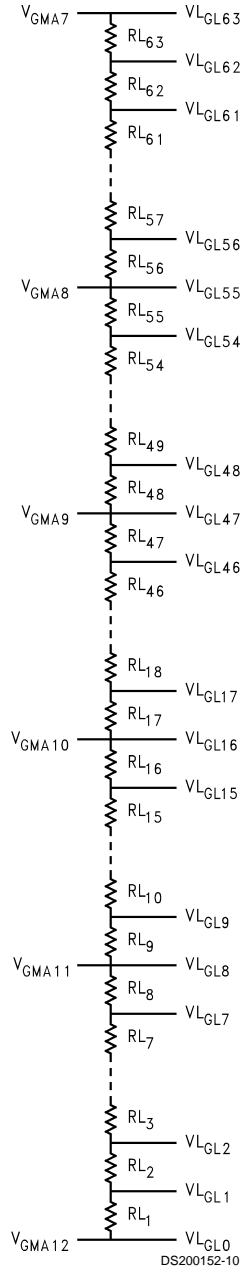


RH1	RDAC x 46/1008
RH2	RDAC x 40/1008
RH3	RDAC x 39/1008
RH4	RDAC x 38/1008
RH5	RDAC x 37/1008
RH6	RDAC x 32/1008
RH7	RDAC x 30/1008
RH8	RDAC x 29/1008
RH9	RDAC x 29/1008
RH10	RDAC x 26/1008
RH11	RDAC x 21/1008
RH12	RDAC x 19/1008
RH13	RDAC x 17/1008
RH14	RDAC x 17/1008
RH15	RDAC x 15/1008
RH16	RDAC x 14/1008
RH17	RDAC x 13/1008
RH18	RDAC x 13/1008
RH19	RDAC x 11/1008
RH20	RDAC x 10/1008
RH21	RDAC x 10/1008
RH22	RDAC x 9/1008
RH23	RDAC x 9/1008
RH24	RDAC x 9/1008
RH25	RDAC x 9/1008
RH26	RDAC x 8/1008
RH27	RDAC x 8/1008
RH28	RDAC x 7/1008
RH29	RDAC x 7/1008
RH30	RDAC x 7/1008
RH31	RDAC x 7/1008

RH32	RDAC x 7/1008
RH33	RDAC x 7/1008
RH34	RDAC x 7/1008
RH35	RDAC x 6/1008
RH36	RDAC x 6/1008
RH37	RDAC x 6/1008
RH38	RDAC x 7/1008
RH39	RDAC x 7/1008
RH40	RDAC x 6/1008
RH41	RDAC x 7/1008
RH42	RDAC x 6/1008
RH43	RDAC x 7/1008
RH44	RDAC x 6/1008
RH45	RDAC x 7/1008
RH46	RDAC x 8/1008
RH47	RDAC x 7/1008
RH48	RDAC x 7/1008
RH49	RDAC x 7/1008
RH50	RDAC x 8/1008
RH51	RDAC x 8/1008
RH52	RDAC x 8/1008
RH53	RDAC x 9/1008
RH54	RDAC x 9/1008
RH55	RDAC x 8/1008
RH56	RDAC x 10/1008
RH57	RDAC x 12/1008
RH58	RDAC x 13/1008
RH59	RDAC x 14/1008
RH60	RDAC x 15/1008
RH61	RDAC x 23/1008
RH62	RDAC x 36/1008
RH63	RDAC x 128/1008

FIGURE 2. FPD03784 R-DAC Transfer Characteristic

Functional Description (Continued)

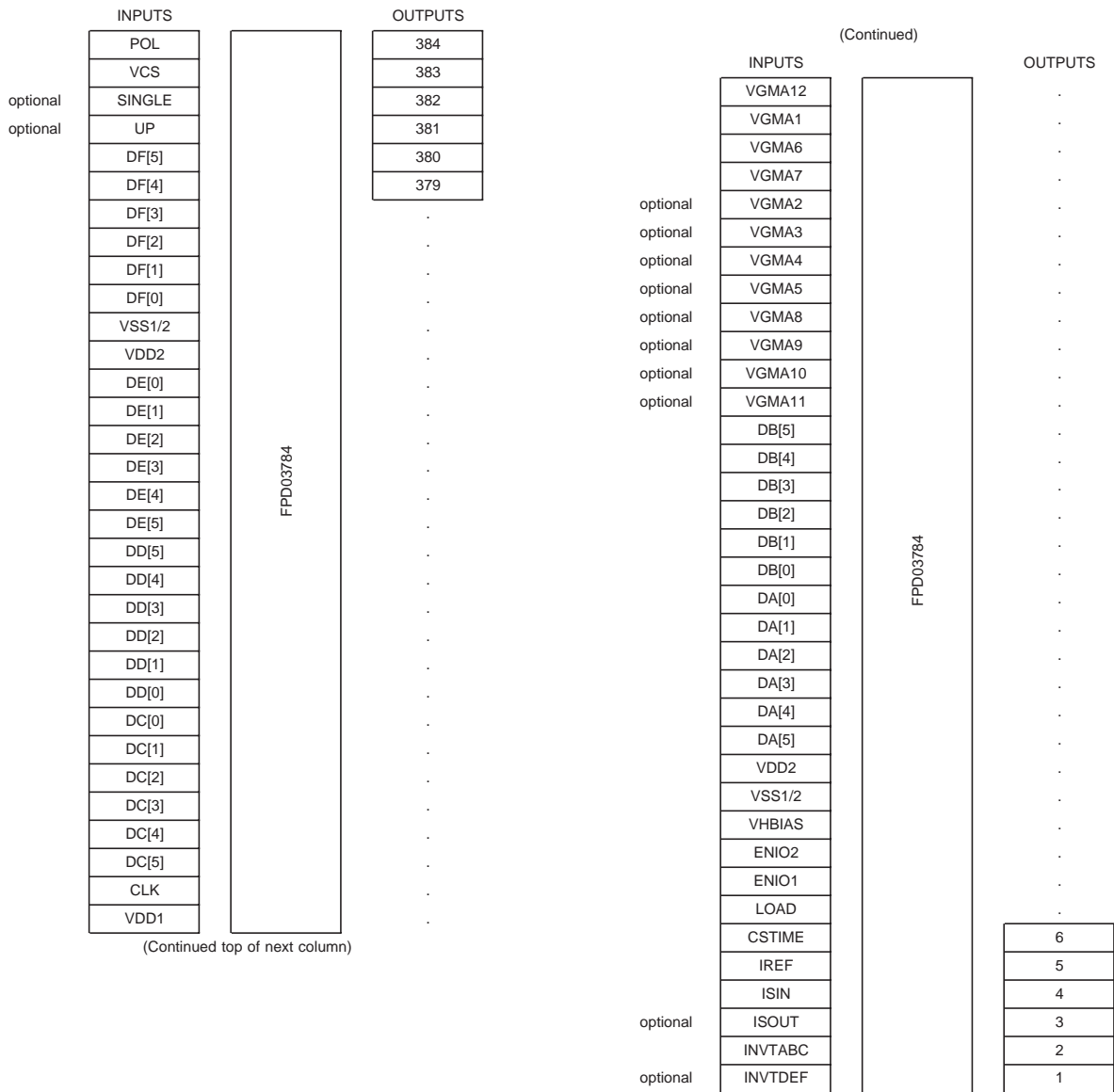


RL1	RDAC x 46/1008
RL2	RDAC x 40/1008
RL3	RDAC x 39/1008
RL4	RDAC x 38/1008
RL5	RDAC x 37/1008
RL6	RDAC x 32/1008
RL7	RDAC x 30/1008
RL8	RDAC x 29/1008
RL9	RDAC x 29/1008
RL10	RDAC x 26/1008
RL11	RDAC x 21/1008
RL12	RDAC x 19/1008
RL13	RDAC x 17/1008
RL14	RDAC x 17/1008
RL15	RDAC x 15/1008
RL16	RDAC x 14/1008
RL17	RDAC x 13/1008
RL18	RDAC x 13/1008
RL19	RDAC x 11/1008
RL20	RDAC x 10/1008
RL21	RDAC x 10/1008
RL22	RDAC x 9/1008
RL23	RDAC x 9/1008
RL24	RDAC x 9/1008
RL25	RDAC x 9/1008
RL26	RDAC x 8/1008
RL27	RDAC x 8/1008
RL28	RDAC x 7/1008
RL29	RDAC x 7/1008
RL30	RDAC x 7/1008
RL31	RDAC x 7/1008

RL32	RDAC x 7/1008
RL33	RDAC x 7/1008
RL34	RDAC x 7/1008
RL35	RDAC x 6/1008
RL36	RDAC x 6/1008
RL37	RDAC x 6/1008
RL38	RDAC x 7/1008
RL39	RDAC x 7/1008
RL40	RDAC x 6/1008
RL41	RDAC x 7/1008
RL42	RDAC x 6/1008
RL43	RDAC x 7/1008
RL44	RDAC x 6/1008
RL45	RDAC x 7/1008
RL46	RDAC x 8/1008
RL47	RDAC x 7/1008
RL48	RDAC x 7/1008
RL49	RDAC x 7/1008
RL50	RDAC x 8/1008
RL51	RDAC x 8/1008
RL52	RDAC x 8/1008
RL53	RDAC x 9/1008
RL54	RDAC x 9/1008
RL55	RDAC x 8/1008
RL56	RDAC x 10/1008
RL57	RDAC x 12/1008
RL58	RDAC x 13/1008
RL59	RDAC x 14/1008
RL60	RDAC x 15/1008
RL61	RDAC x 23/1008
RL62	RDAC x 36/1008
RL63	RDAC x 128/1008

FIGURE 3. FPD03784 R-DAC Transfer Characteristic (continued)

# FPD03784 I/O Configuration



**Note:** This figure represents an FPD03784 die oriented pad side up.

## Packaging

The FPD03784 is available as singulated die.

#### **LIFE SUPPORT POLICY**

NATIONAL'S PRODUCTS ARE NOT AUTHORIZED FOR USE AS CRITICAL COMPONENTS IN LIFE SUPPORT DEVICES OR SYSTEMS WITHOUT THE EXPRESS WRITTEN APPROVAL OF THE PRESIDENT AND GENERAL COUNSEL OF NATIONAL SEMICONDUCTOR CORPORATION. As used herein:

1. Life support devices or systems are devices or systems which, (a) are intended for surgical implant into the body, or (b) support or sustain life, and whose failure to perform when properly used in accordance with instructions for use provided in the labeling, can be reasonably expected to result in a significant injury to the user.
2. A critical component is any component of a life support device or system whose failure to perform can be reasonably expected to cause the failure of the life support device or system, or to affect its safety or effectiveness.



**National Semiconductor  
Corporation**  
Americas  
Email: support@nsc.com

[www.national.com](http://www.national.com)

**National Semiconductor  
Europe**  
Fax: +49 (0) 180-530 85 86  
Email: europe.support@nsc.com  
Deutsch Tel: +49 (0) 69 9508 6208  
English Tel: +44 (0) 870 24 0 2171  
Français Tel: +33 (0) 1 41 91 8790

**National Semiconductor  
Asia Pacific Customer  
Response Group**  
Tel: 65-2544466  
Fax: 65-2504466  
Email: ap.support@nsc.com

**National Semiconductor  
Japan Ltd.**  
Tel: 81-3-5639-7560  
Fax: 81-3-5639-7507

## IMPORTANT NOTICE

Texas Instruments Incorporated and its subsidiaries (TI) reserve the right to make corrections, modifications, enhancements, improvements, and other changes to its products and services at any time and to discontinue any product or service without notice. Customers should obtain the latest relevant information before placing orders and should verify that such information is current and complete. All products are sold subject to TI's terms and conditions of sale supplied at the time of order acknowledgment.

TI warrants performance of its hardware products to the specifications applicable at the time of sale in accordance with TI's standard warranty. Testing and other quality control techniques are used to the extent TI deems necessary to support this warranty. Except where mandated by government requirements, testing of all parameters of each product is not necessarily performed.

TI assumes no liability for applications assistance or customer product design. Customers are responsible for their products and applications using TI components. To minimize the risks associated with customer products and applications, customers should provide adequate design and operating safeguards.

TI does not warrant or represent that any license, either express or implied, is granted under any TI patent right, copyright, mask work right, or other TI intellectual property right relating to any combination, machine, or process in which TI products or services are used. Information published by TI regarding third-party products or services does not constitute a license from TI to use such products or services or a warranty or endorsement thereof. Use of such information may require a license from a third party under the patents or other intellectual property of the third party, or a license from TI under the patents or other intellectual property of TI.

Reproduction of TI information in TI data books or data sheets is permissible only if reproduction is without alteration and is accompanied by all associated warranties, conditions, limitations, and notices. Reproduction of this information with alteration is an unfair and deceptive business practice. TI is not responsible or liable for such altered documentation. Information of third parties may be subject to additional restrictions.

Resale of TI products or services with statements different from or beyond the parameters stated by TI for that product or service voids all express and any implied warranties for the associated TI product or service and is an unfair and deceptive business practice. TI is not responsible or liable for any such statements.

TI products are not authorized for use in safety-critical applications (such as life support) where a failure of the TI product would reasonably be expected to cause severe personal injury or death, unless officers of the parties have executed an agreement specifically governing such use. Buyers represent that they have all necessary expertise in the safety and regulatory ramifications of their applications, and acknowledge and agree that they are solely responsible for all legal, regulatory and safety-related requirements concerning their products and any use of TI products in such safety-critical applications, notwithstanding any applications-related information or support that may be provided by TI. Further, Buyers must fully indemnify TI and its representatives against any damages arising out of the use of TI products in such safety-critical applications.

TI products are neither designed nor intended for use in military/aerospace applications or environments unless the TI products are specifically designated by TI as military-grade or "enhanced plastic." Only products designated by TI as military-grade meet military specifications. Buyers acknowledge and agree that any such use of TI products which TI has not designated as military-grade is solely at the Buyer's risk, and that they are solely responsible for compliance with all legal and regulatory requirements in connection with such use.

TI products are neither designed nor intended for use in automotive applications or environments unless the specific TI products are designated by TI as compliant with ISO/TS 16949 requirements. Buyers acknowledge and agree that, if they use any non-designated products in automotive applications, TI will not be responsible for any failure to meet such requirements.

Following are URLs where you can obtain information on other Texas Instruments products and application solutions:

### Products

Audio	<a href="http://www.ti.com/audio">www.ti.com/audio</a>
Amplifiers	<a href="http://amplifier.ti.com">amplifier.ti.com</a>
Data Converters	<a href="http://dataconverter.ti.com">dataconverter.ti.com</a>
DLP® Products	<a href="http://www.dlp.com">www.dlp.com</a>
DSP	<a href="http://dsp.ti.com">dsp.ti.com</a>
Clocks and Timers	<a href="http://www.ti.com/clocks">www.ti.com/clocks</a>
Interface	<a href="http://interface.ti.com">interface.ti.com</a>
Logic	<a href="http://logic.ti.com">logic.ti.com</a>
Power Mgmt	<a href="http://power.ti.com">power.ti.com</a>
Microcontrollers	<a href="http://microcontroller.ti.com">microcontroller.ti.com</a>
RFID	<a href="http://www.ti-rfid.com">www.ti-rfid.com</a>
OMAP Mobile Processors	<a href="http://www.ti.com/omap">www.ti.com/omap</a>
Wireless Connectivity	<a href="http://www.ti.com/wirelessconnectivity">www.ti.com/wirelessconnectivity</a>

### Applications

Communications and Telecom	<a href="http://www.ti.com/communications">www.ti.com/communications</a>
Computers and Peripherals	<a href="http://www.ti.com/computers">www.ti.com/computers</a>
Consumer Electronics	<a href="http://www.ti.com/consumer-apps">www.ti.com/consumer-apps</a>
Energy and Lighting	<a href="http://www.ti.com/energy">www.ti.com/energy</a>
Industrial	<a href="http://www.ti.com/industrial">www.ti.com/industrial</a>
Medical	<a href="http://www.ti.com/medical">www.ti.com/medical</a>
Security	<a href="http://www.ti.com/security">www.ti.com/security</a>
Space, Avionics and Defense	<a href="http://www.ti.com/space-avionics-defense">www.ti.com/space-avionics-defense</a>
Transportation and Automotive	<a href="http://www.ti.com/automotive">www.ti.com/automotive</a>
Video and Imaging	<a href="http://www.ti.com/video">www.ti.com/video</a>

TI E2E Community Home Page

[e2e.ti.com](http://e2e.ti.com)

Mailing Address: Texas Instruments, Post Office Box 655303, Dallas, Texas 75265  
Copyright © 2011, Texas Instruments Incorporated