

## LMH6738 Very Wideband, Low Distortion Triple Op Amp

Check for Samples: [LMH6738](#)

### FEATURES

- 750 MHz  $-3$  dB small signal bandwidth ( $A_V = +1$ )
- $-85$  dBc 3rd harmonic distortion (20 MHz)
- 2.3 nV/Hz input noise voltage
- 3300 V/ $\mu$ s slew rate
- 33 mA supply current (11.3 mA per op amp)
- 90 mA linear output current
- 0.02/0.01 Diff. Gain / Diff. Phase ( $R_L = 150\Omega$ )

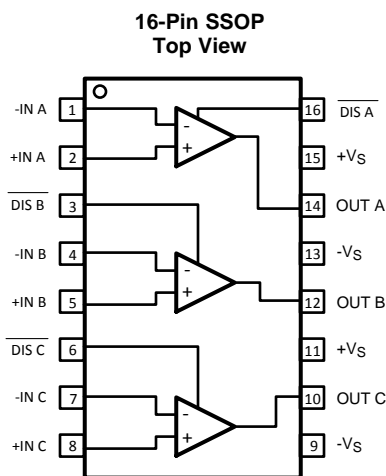
### APPLICATIONS

- RGB video driver
- High resolution projectors
- Flash A/D driver
- D/A transimpedance buffer
- Wide dynamic range IF amp
- Radar/communication receivers
- DDS post-amps
- Wideband inverting summer
- Line driver

### DESCRIPTION

The LMH6738 is a very wideband, DC coupled monolithic operational amplifier designed specifically for ultra high resolution video systems as well as wide dynamic range systems requiring exceptional signal fidelity. Benefiting from TI's current feedback architecture, the LMH6738 offers a gain range of  $\pm 1$  to  $\pm 10$  while providing stable, operation without external compensation, even at unity gain. At a gain of  $+2$  the LMH6738 supports ultra high resolution video systems with a 400 MHz  $2 V_{PP}$   $-3$  dB Bandwidth. With 12-bit distortion levels through 30 MHz ( $R_L = 100\Omega$ ), 2.3 nV/Hz input referred noise, the LMH6738 is the ideal driver or buffer for high speed flash A/D and D/A converters. Wide dynamic range systems such as radar and communication receivers requiring a wideband amplifier offering exceptional signal purity will find the LMH6738 low input referred noise and low harmonic distortion make it an attractive solution.

### CONNECTION DIAGRAM


See Package Number **DBQ0016A**


Please be aware that an important notice concerning availability, standard warranty, and use in critical applications of Texas Instruments semiconductor products and disclaimers thereto appears at the end of this data sheet.

All trademarks are the property of their respective owners.



These devices have limited built-in ESD protection. The leads should be shorted together or the device placed in conductive foam during storage or handling to prevent electrostatic damage to the MOS gates.

### Absolute Maximum Ratings <sup>(1)</sup>

Supply Voltage ( $V^+ - V^-$ )	13.2V
$I_{OUT}$	See Note <sup>(2)</sup>
Common Mode Input Voltage	$\pm V_{CC}$
Maximum Junction Temperature	+150°C
Storage Temperature Range	-65°C to +150°C
Soldering Information	
Infrared or Convection (20 sec.)	235°C
Wave Soldering (10 sec.)	260°C
ESD Tolerance <sup>(3)</sup>	
Human Body Model	2000V
Machine Model	200V
Storage Temperature Range	-65°C to +150°C

- (1) Absolute Maximum Ratings indicate limits beyond which damage to the device may occur. Operating Ratings indicate conditions for which the device is intended to be functional, but specific performance is not ensured. For specifications, see the Electrical Characteristics tables.
- (2) The maximum output current ( $I_{OUT}$ ) is determined by device power dissipation limitations. See the Power Dissipation section of the Application Section for more details.
- (3) Human Body Model is 1.5 k $\Omega$  in series with 100 pF. Machine Model is 0 $\Omega$  in series with 200 pF.

### Operating Ratings <sup>(1)</sup>

Thermal Resistance		
<b>Package</b>	<b>(<math>\theta_{JC}</math>)</b>	<b>(<math>\theta_{JA}</math>)</b>
16-Pin SSOP	36°C/W	120°C/W
Operating Temperature Range	-40°C to +85°C	
Supply Voltage ( $V^+ - V^-$ )	8V to 12V	

- (1) Absolute Maximum Ratings indicate limits beyond which damage to the device may occur. Operating Ratings indicate conditions for which the device is intended to be functional, but specific performance is not ensured. For specifications, see the Electrical Characteristics tables.

**Electrical Characteristics (1)**
 $A_V = +2$ ,  $V_{CC} = \pm 5V$ ,  $R_L = 100\Omega$ ,  $R_F = 549\Omega$ ; unless otherwise specified.

Symbol	Parameter	Conditions	Min	Typ	Max	Units
<b>Frequency Domain Performance</b>						
UGBW	-3 dB Bandwidth	Unity Gain, $V_{OUT} = 200\text{ mV}_{PP}$		750		MHz
SSBW	-3 dB Bandwidth	$V_{OUT} = 200\text{ mV}_{PP}$		480		MHz
LSBW		$V_{OUT} = 2\text{ V}_{PP}$		400		
	0.1 dB Bandwidth	$V_{OUT} = 2\text{ V}_{PP}$		150		MHz
GFPL	Peaking	DC to 75 MHz		0		dB
GFR1	Rolloff	DC to 150 MHz, $V_{OUT} = 2\text{ V}_{PP}$		0.1		dB
GFR2	Rolloff	@ 300 MHz, $V_{OUT} = 2\text{ V}_{PP}$		1.0		dB
<b>Time Domain Response</b>						
TRS	Rise and Fall Time (10% to 90%)	2V Step		0.9		ns
TRL		5V Step		1.7		
SR	Slew Rate	5V Step		3300		V/ $\mu$ s
$t_s$	Settling Time to 0.1%	2V Step		10		ns
$t_e$	Enable Time	From $\overline{\text{Disable}}$ = rising edge.		7.3		ns
$t_d$	Disable Time	From $\overline{\text{Disable}}$ = falling edge.		4.5		ns
<b>Distortion</b>						
HD2L	2 <sup>nd</sup> Harmonic Distortion	2 $V_{PP}$ , 5 MHz		-80		dBc
HD2		2 $V_{PP}$ , 20 MHz		-71		
HD2H		2 $V_{PP}$ , 50 MHz		-55		
HD3L	3 <sup>rd</sup> Harmonic Distortion	2 $V_{PP}$ , 5 MHz		-90		dBc
HD3		2 $V_{PP}$ , 20 MHz		-85		
HD3H		2 $V_{PP}$ , 50 MHz		-65		
<b>Equivalent Input Noise</b>						
$V_N$	Non-Inverting Voltage	>1 MHz		2.3		nV/ $\sqrt{\text{Hz}}$
$I_{CN}$	Inverting Current	>1 MHz		12		pA/ $\sqrt{\text{Hz}}$
$N_{CN}$	Non-Inverting Current	>1 MHz		3		pA/ $\sqrt{\text{Hz}}$
<b>Video Performance</b>						
DG	Differential Gain	4.43 MHz, $R_L = 150\Omega$		.02		%
DP	Differential Phase	4.43 MHz, $R_L = 150\Omega$		.01		°
<b>Static, DC Performance</b>						
VIO	Input Offset Voltage (2)			0.5	$\pm 2.5$ $\pm 4.5$	mV
IBN	Input Bias Current (2)	Non-Inverting	-15 -20	-7	0 +5	$\mu$ A
IBI	Input Bias Current (2)	Inverting		-2	$\pm 25$ $\pm 35$	$\mu$ A
PSRR	Power Supply Rejection Ratio (2)		50 48.5	53		dB
CMRR	Common Mode Rejection Ratio (2)		46 44	50		dB
XTLK	Crosstalk	Input Referred, $f=10\text{MHz}$ , Drive channels A,C measure channel B		-80		dB
$I_{CC}$	Supply Current (2)	All three amps Enabled, No Load		32	35 40	mA
	Supply Current Disabled $V^+$	$R_L = \infty$		1.9	2.2	mA

(1) Electrical Table values apply only for factory testing conditions at the temperature indicated. Factory testing conditions result in very limited self-heating of the device such that  $T_J = T_A$ . Performance is indicated in the electrical tables under conditions of internal self heating where  $T_J > T_A$ . See Applications Section for information on temperature de-rating of this device." Min/Max ratings are based on product characterization and simulation. Individual parameters are tested as noted.

(2) Parameter 100% production tested at 25°C.

## Electrical Characteristics <sup>(1)</sup> (continued)

$A_V = +2$ ,  $V_{CC} = \pm 5V$ ,  $R_L = 100\Omega$ ,  $R_F = 549\Omega$ ; unless otherwise specified.

Symbol	Parameter	Conditions	Min	Typ	Max	Units
	Supply Current Disabled $V^-$	$R_L = \infty$		1.1	1.3	mA
<b>Miscellaneous Performance</b>						
$R_{IN+}$	Non-Inverting Input Resistance			1000		k $\Omega$
$C_{IN+}$	Non-Inverting Input Capacitance			.8		pF
$R_{IN-}$	Inverting Input Impedance	Output impedance of input buffer.		30		$\Omega$
$R_O$	Output Impedance	DC		0.05		$\Omega$
$V_O$	Output Voltage Range <sup>(2)</sup>	$R_L = 100\Omega$	$\pm 3.25$ <b><math>\pm 3.1</math></b>	$\pm 3.5$		V
		$R_L = \infty$	$\pm 3.65$ <b><math>\pm 3.5</math></b>	$\pm 3.8$		
CMIR	Common Mode Input Range <sup>(2)</sup>	CMRR > 40 dB	$\pm 1.9$ <b><math>\pm 1.7</math></b>	$\pm 2.0$		V
$I_O$	Linear Output Current <sup>(3) (2)</sup>	$V_{IN} = 0V$ , $V_{OUT} < \pm 30 mV$	80 <b>60</b>	90		mA
$I_{SC}$	Short Circuit Current <sup>(4)</sup>	$V_{IN} = 2V$ Output Shorted to Ground		160		mA
$I_{IH}$	Disable Pin Bias Current High	$\overline{\text{Disable Pin}} = V^+$		10		$\mu A$
$I_{IL}$	Disable Pin Bias Current Low	$\overline{\text{Disable Pin}} = 0V$		-350		$\mu A$
$V_{DMAX}$	Voltage for Disable	$\overline{\text{Disable Pin}} \leq V_{DMAX}$			0.8	V
$V_{DMIM}$	Voltage for Enable	$\overline{\text{Disable Pin}} \geq V_{DMIM}$	2.0			V

(3) The maximum output current ( $I_{OUT}$ ) is determined by device power dissipation limitations. See the Power Dissipation section of the Application Section for more details.

(4) Short circuit current should be limited in duration to no more than 10 seconds. See the Power Dissipation section of the Application Section for more details.

### Typical Performance Characteristics

$A_V = +2$ ,  $V_{CC} = \pm 5V$ ,  $R_L = 100\Omega$ ,  $R_F = 549\Omega$ ; unless otherwise specified).

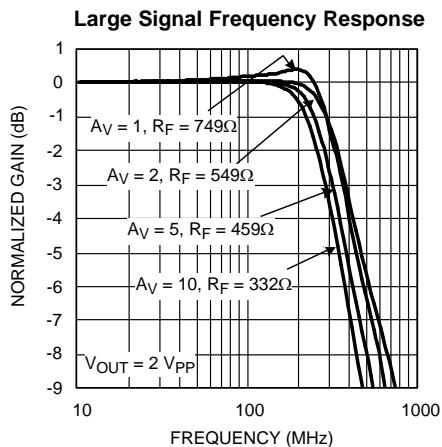


Figure 1.

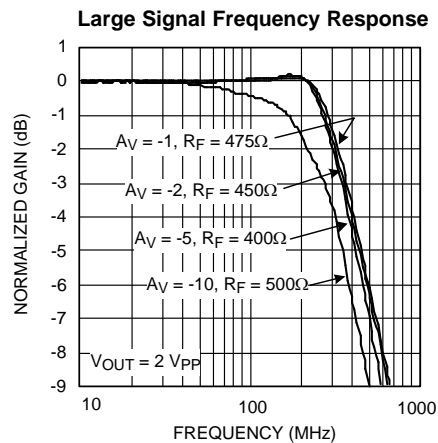


Figure 2.

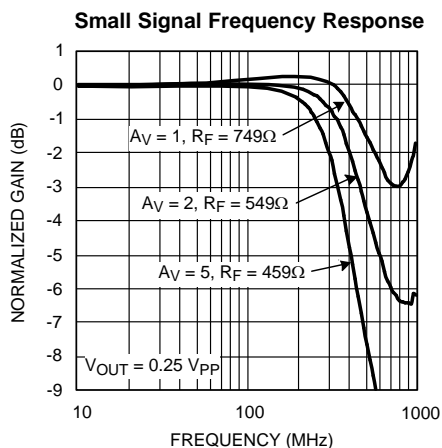


Figure 3.

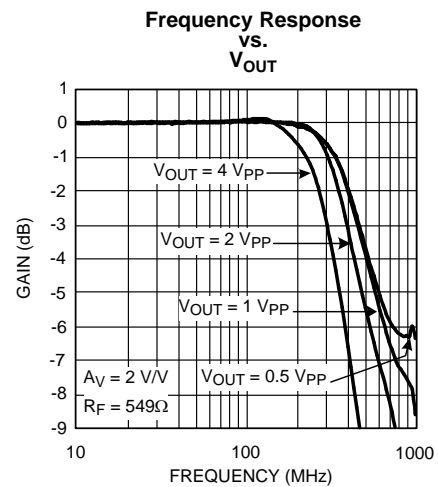


Figure 4.

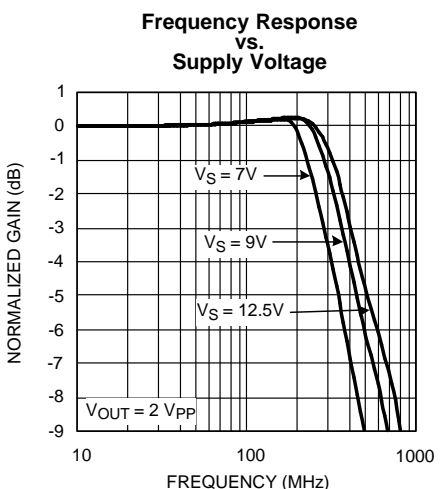


Figure 5.

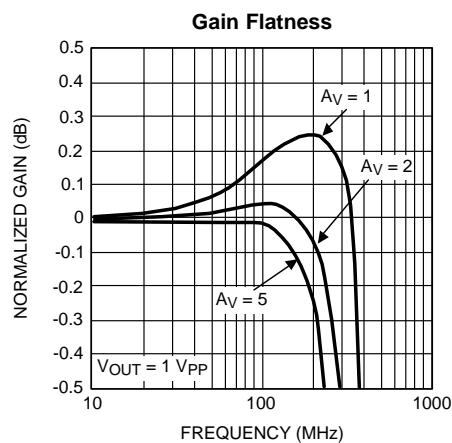


Figure 6.

**Typical Performance Characteristics (continued)**

$A_V = +2$ ,  $V_{CC} = \pm 5V$ ,  $R_L = 100\Omega$ ,  $R_F = 549\Omega$ ; unless otherwise specified).

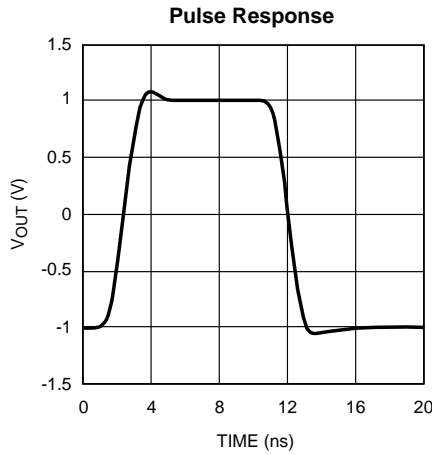


Figure 7.

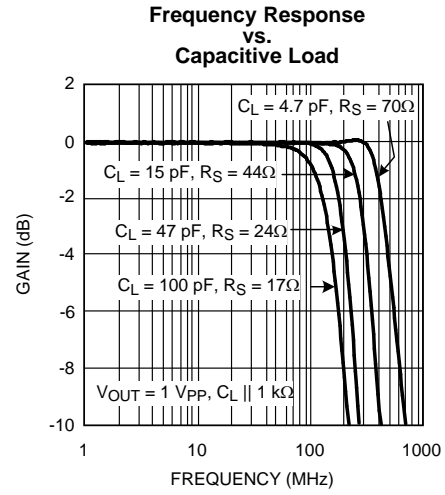


Figure 8.

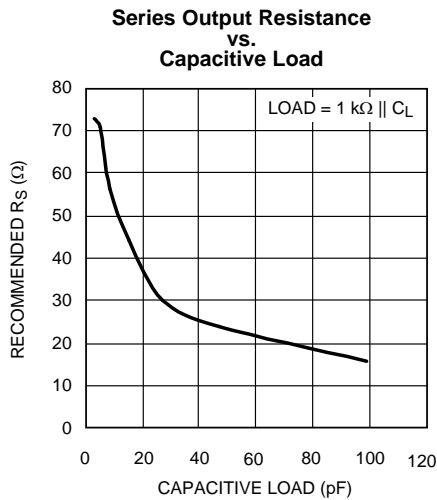


Figure 9.

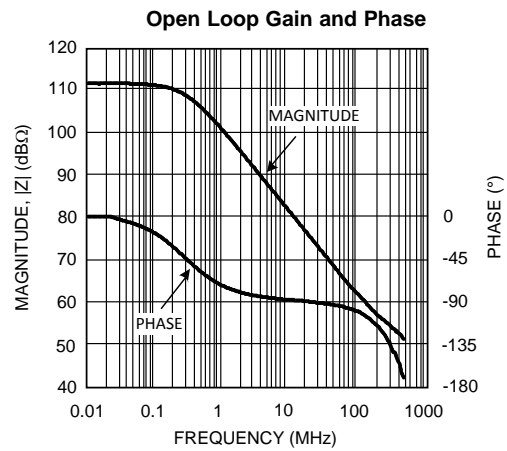


Figure 10.

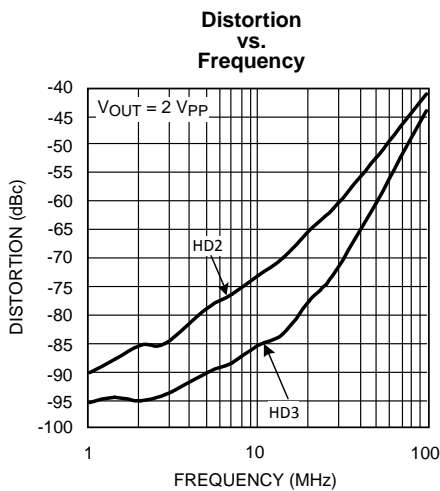


Figure 11.

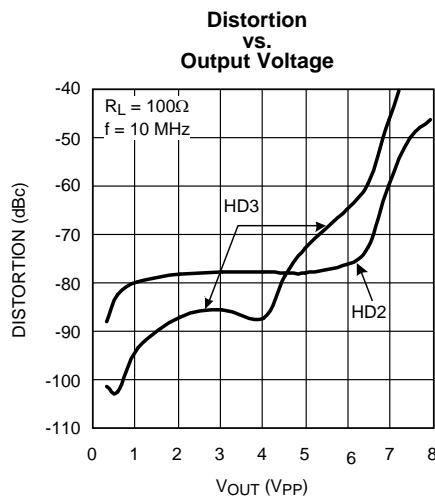


Figure 12.

**Typical Performance Characteristics (continued)**

$A_V = +2$ ,  $V_{CC} = \pm 5V$ ,  $R_L = 100\Omega$ ,  $R_F = 549\Omega$ ; unless otherwise specified).

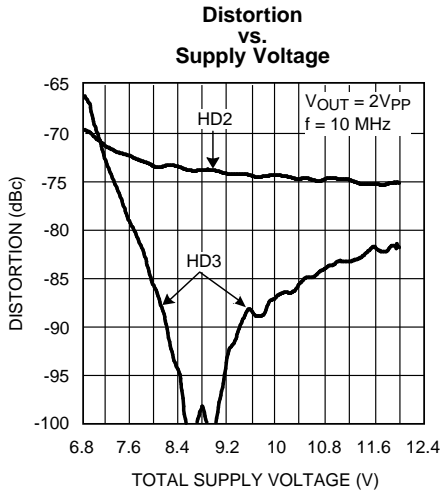


Figure 13.

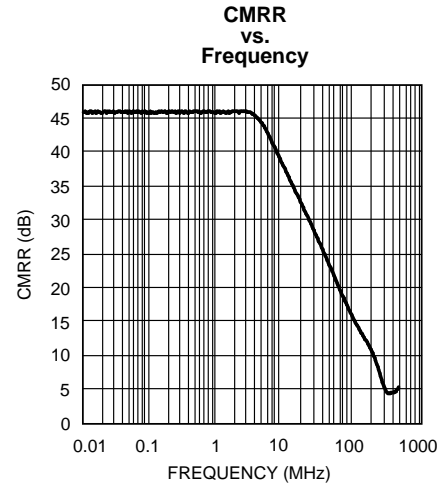


Figure 14.

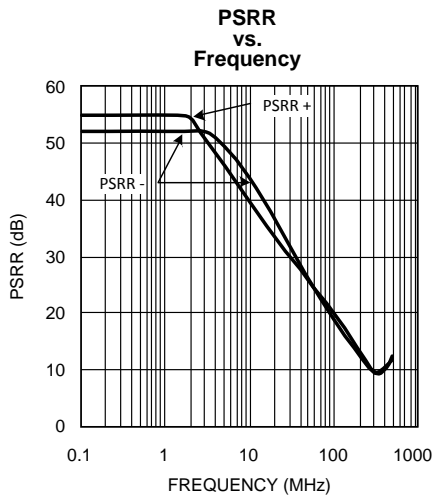


Figure 15.

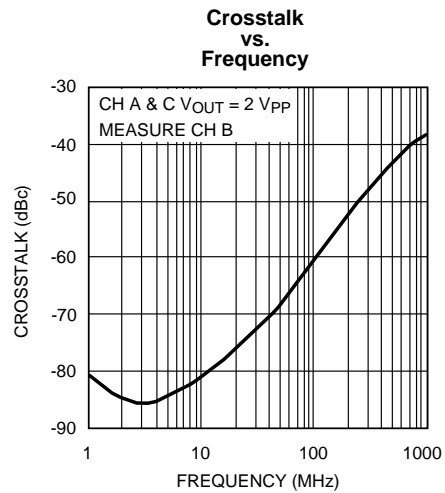


Figure 16.

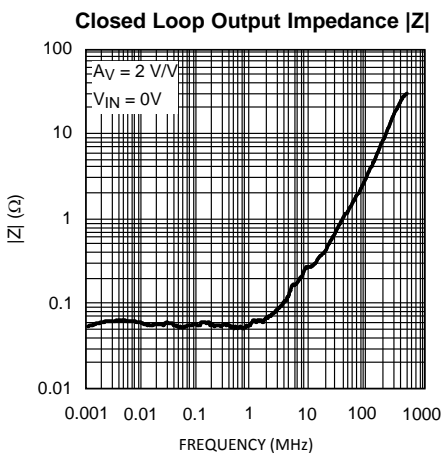


Figure 17.

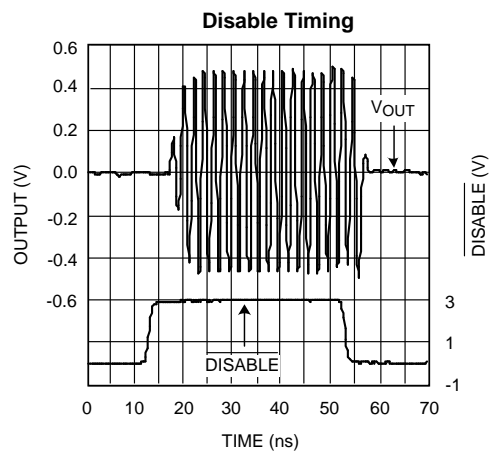


Figure 18.

**Typical Performance Characteristics (continued)**

$A_V = +2$ ,  $V_{CC} = \pm 5V$ ,  $R_L = 100\Omega$ ,  $R_F = 549\Omega$ ; unless otherwise specified).

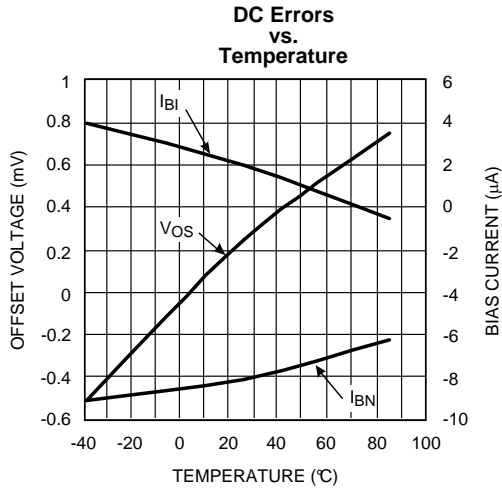


Figure 19.

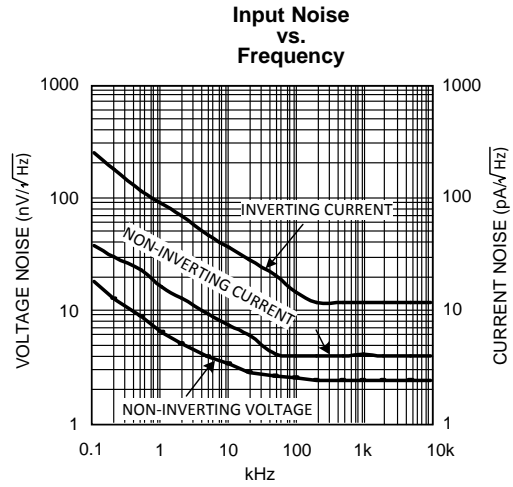
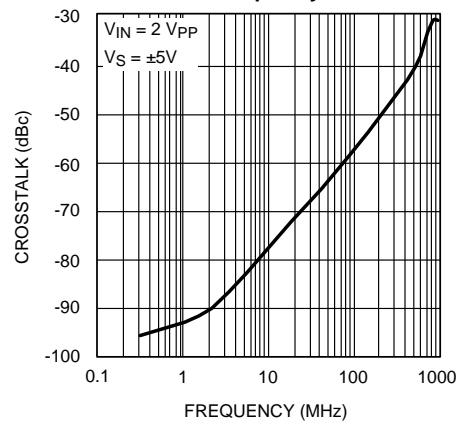


Figure 20.

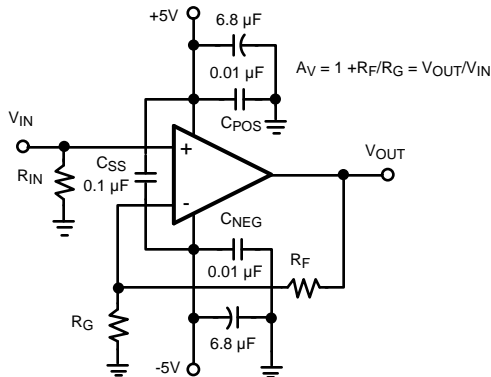
Figure 21.

**Disabled Channel Isolation vs. Frequency**

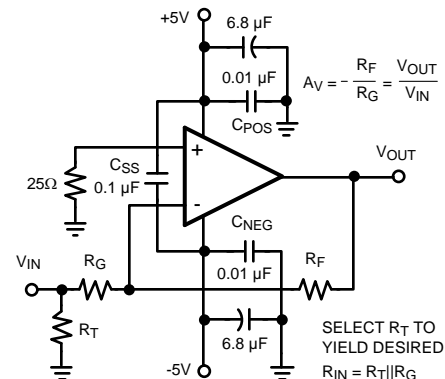




## APPLICATION INFORMATION



**Figure 22. Recommended Non-Inverting Gain Circuit**



**Figure 23. Recommended Inverting Gain Circuit**

## GENERAL INFORMATION

The LMH6738 is a high speed current feedback amplifier, optimized for very high speed and low distortion. The LMH6738 has no internal ground reference so single or split supply configurations are both equally useful.

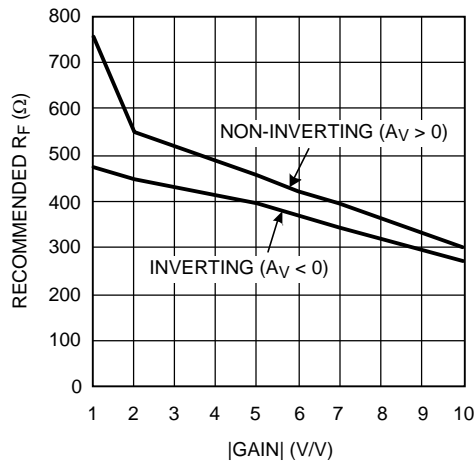
## EVALUATION BOARDS

Texas Instruments provides the following evaluation boards as a guide for high frequency layout and as an aid in device testing and characterization. Many of the data sheet plots were measured with these boards.

Device	Package	Evaluation Board Part Number
LMH6738MQA	SSOP	LMH730275

## FEEDBACK RESISTOR SELECTION

One of the key benefits of a current feedback operational amplifier is the ability to maintain optimum frequency response independent of gain by using appropriate values for the feedback resistor ( $R_F$ ). The Electrical Characteristics and Typical Performance plots specify an  $R_F$  of 550Ω, a gain of +2 V/V and ±5V power supplies (unless otherwise specified). Generally, lowering  $R_F$  from its recommended value will peak the frequency response and extend the bandwidth while increasing the value of  $R_F$  will cause the frequency response to roll off faster. Reducing the value of  $R_F$  too far below its recommended value will cause overshoot, ringing and, eventually, oscillation.



**Figure 24. Recommended R<sub>F</sub> vs. Gain**

See Figure 24, Recommended R<sub>F</sub> vs Gain for selecting a feedback resistor value for gains of ±1 to ±10. Since each application is slightly different it is worth some experimentation to find the optimal R<sub>F</sub> for a given circuit. In general a value of R<sub>F</sub> that produces ~.1 dB of peaking is the best compromise between stability and maximal bandwidth. Note that it is not possible to use a current feedback amplifier with the output shorted directly to the inverting input. The buffer configuration of the LMH6738 requires a 750Ω feedback resistor for stable operation.

The LMH6738 was optimized for high speed operation. As shown in Figure 24 the suggested value for R<sub>F</sub> decreases for higher gains. Due to the impedance of the input buffer there is a practical limit for how small R<sub>F</sub> can go, based on the lowest practical value of R<sub>G</sub>. This limitation applies to both inverting and non inverting configurations. For the LMH6738 the input resistance of the inverting input is approximately 30Ω and 20Ω is a practical (but not hard and fast) lower limit for R<sub>G</sub>. The LMH6738 begins to operate in a gain bandwidth limited fashion in the region where R<sub>G</sub> is nearly equal to the input buffer impedance. Note that the amplifier will operate with R<sub>G</sub> values well below 20Ω, however results may be substantially different than predicted from ideal models. In particular the voltage potential between the Inverting and Non Inverting inputs cannot be expected to remain small.

Inverting gain applications that require impedance matched inputs may limit gain flexibility somewhat (especially if maximum bandwidth is required). The impedance seen by the source is R<sub>G</sub> || R<sub>T</sub> (R<sub>T</sub> is optional). The value of R<sub>G</sub> is R<sub>F</sub> / Gain. Thus for an inverting gain of -7 V/V and an optimal value for R<sub>F</sub> the input impedance is equal to 50Ω. Using a termination resistor this can be brought down to match a 25Ω source, however, a 150Ω source cannot be matched. To match a 150Ω source would require using a 1050Ω feedback resistor and would result in reduced bandwidth.

For more information see Application Note OA-13 (SNOA366) which describes the relationship between R<sub>F</sub> and closed-loop frequency response for current feedback operational amplifiers. The value for the inverting input impedance for the LMH6738 is approximately 30Ω. The LMH6738 is designed for optimum performance at gains of +1 to +10 V/V and -1 to -9 V/V. Higher gain configurations are still useful, however, the bandwidth will fall as gain is increased, much like a typical voltage feedback amplifier.

## ACTIVE FILTER

When using any current feedback Operational Amplifier as an active filter it is necessary to be careful using reactive components in the feedback loop. Reducing the feedback impedance, especially at higher frequencies, will almost certainly cause stability problems. Likewise capacitance on the inverting input should be avoided. See Application Notes OA-07 (SNOA365) and OA-26 (SNOA387) for more information on Active Filter applications for Current Feedback Op Amps.

When using the LMH6738 as a low pass filter the value of  $R_F$  can be substantially reduced from the value recommended in the  $R_F$  vs. Gain charts. The benefit of reducing  $R_F$  is increased gain at higher frequencies, which improves attenuation in the stop band. Stability problems are avoided because in the stop band additional device bandwidth is used to cancel the input signal rather than amplify it. The benefit of this change depends on the particulars of the circuit design. With a high pass filter configuration reducing  $R_F$  will likely result in device instability and is not recommended.

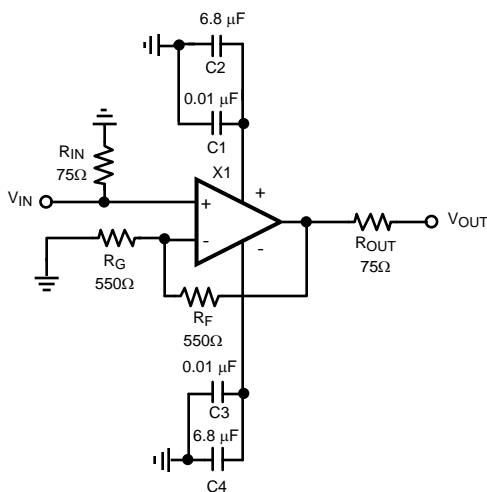


Figure 25. Typical Video Application

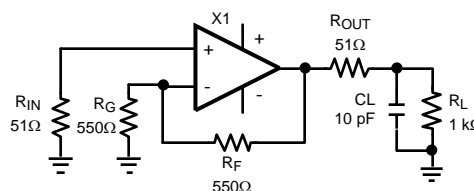


Figure 26. Decoupling Capacitive Loads

### DRIVING CAPACITIVE LOADS

Capacitive output loading applications will benefit from the use of a series output resistor  $R_{OUT}$ . Figure 26 shows the use of a series output resistor,  $R_{OUT}$ , to stabilize the amplifier output under capacitive loading. Capacitive loads of 5 to 120 pF are the most critical, causing ringing, frequency response peaking and possible oscillation. The charts “Suggested  $R_{OUT}$  vs. Cap Load” give a recommended value for selecting a series output resistor for mitigating capacitive loads. The values suggested in the charts are selected for .5 dB or less of peaking in the frequency response. This gives a good compromise between settling time and bandwidth. For applications where maximum frequency response is needed and some peaking is tolerable, the value of  $R_{OUT}$  can be reduced slightly from the recommended values.

An alternative approach is to place  $R_{out}$  inside the feedback loop as shown in Figure 27. This will preserve gain accuracy, but will still limit maximum output voltage swing.

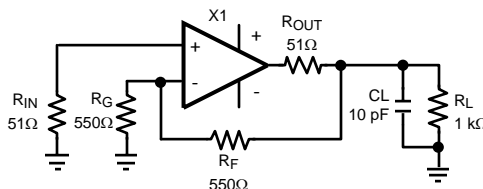


Figure 27. Series Output Resistor Inside Feedback Loop

### INVERTING INPUT PARASITIC CAPACITANCE

Parasitic capacitance is any capacitance in a circuit that was not intentionally added. It comes about from electrical interaction between conductors. Parasitic capacitance can be reduced but never entirely eliminated. Most parasitic capacitances that cause problems are related to board layout or lack of termination on transmission lines. Please see the section on Layout Considerations for hints on reducing problems due to parasitic capacitances on board traces. Transmission lines should be terminated in their characteristic impedance at both ends.

High speed amplifiers are sensitive to capacitance between the inverting input and ground or power supplies. This shows up as gain peaking at high frequency. The capacitor raises device gain at high frequencies by making  $R_G$  appear smaller. Capacitive output loading will exaggerate this effect. In general, avoid introducing unnecessary parasitic capacitance at both the inverting input and the output.

One possible remedy for this effect is to slightly increase the value of the feedback (and gain set) resistor. This will tend to offset the high frequency gain peaking while leaving other parameters relatively unchanged. If the device has a capacitive load as well as inverting input capacitance using a series output resistor as described in [DRIVING CAPACITIVE LOADS](#) will help.

## LAYOUT CONSIDERATIONS

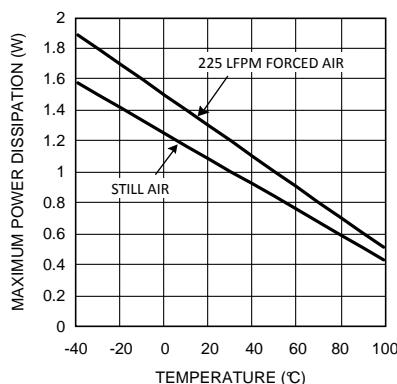
Whenever questions about layout arise, use the evaluation board as a guide. The LMH730275 is the evaluation board for the LMH6738.

To reduce parasitic capacitances ground and power planes should be removed near the input and output pins. Components in the feedback loop should be placed as close to the device as possible. For long signal paths controlled impedance lines should be used, along with impedance matching elements at both ends.

Bypass capacitors should be placed as close to the device as possible. Bypass capacitors from each rail to ground are applied in pairs. The larger electrolytic bypass capacitors can be located farther from the device, the smaller ceramic capacitors should be placed as close to the device as possible. The LMH6738 has multiple power and ground pins for enhanced supply bypassing. Every pin should ideally have a separate bypass capacitor. Sharing bypass capacitors may slightly degrade second order harmonic performance, especially if the supply traces are thin and /or long. In [Figure 22](#) and [Figure 23](#)  $C_{SS}$  is optional, but is recommended for best second harmonic distortion. Another option to using  $C_{SS}$  is to use pairs of .01  $\mu\text{F}$  and 0.1  $\mu\text{F}$  ceramic capacitors for each supply bypass.

## VIDEO PERFORMANCE

The LMH6738 has been designed to provide excellent performance with production quality video signals in a wide variety of formats such as HDTV and High Resolution VGA. NTSC and PAL performance is nearly flawless. Best performance will be obtained with back terminated loads. The back termination reduces reflections from the transmission line and effectively masks transmission line and other parasitic capacitances from the amplifier output stage. [Figure 25](#) shows a typical configuration for driving a 75 $\Omega$  Cable. The amplifier is configured for a gain of two to make up for the 6 dB of loss in  $R_{OUT}$ .



**Figure 28. Maximum Power Dissipation**

## POWER DISSIPATION

The LMH6738 is optimized for maximum speed and performance in the small form factor of the standard SSOP-16 package. To achieve its high level of performance, the LMH6738 consumes an appreciable amount of quiescent current which cannot be neglected when considering the total package power dissipation limit. The quiescent current contributes to about 40° C rise in junction temperature when no additional heat sink is used ( $V_S = \pm 5\text{V}$ , all 3 channels on). Therefore, it is easy to see the need for proper precautions to be taken in order to make sure the junction temperature's absolute maximum rating of 150°C is not violated.

To ensure maximum output drive and highest performance, thermal shutdown is not provided. Therefore, it is of utmost importance to make sure that the  $T_{JMAX}$  is never exceeded due to the overall power dissipation (all 3 channels).

With the LMH6738 used in a back-terminated 75Ω RGB analog video system (with 2 V<sub>PP</sub> output voltage), the total power dissipation is around 435 mW of which 340 mW is due to the quiescent device dissipation (output black level at 0V). With no additional heat sink used, that puts the junction temperature to about 140° C when operated at 85°C ambient.

To reduce the junction temperature many options are available. Forced air cooling is the easiest option. An external add-on heat-sink can be added to the SSOP-16 package, or alternatively, additional board metal (copper) area can be utilized as heat-sink.

An effective way to reduce the junction temperature for the SSOP-16 package (and other plastic packages) is to use the copper board area to conduct heat. With no enhancement the major heat flow path in this package is from the die through the metal lead frame (inside the package) and onto the surrounding copper through the interconnecting leads. Since high frequency performance requires limited metal near the device pins the best way to use board copper to remove heat is through the bottom of the package. A gap filler with high thermal conductivity can be used to conduct heat from the bottom of the package to copper on the circuit board. Vias to a ground or power plane on the back side of the circuit board will provide additional heat dissipation. A combination of front side copper and vias to the back side can be combined as well.

Follow these steps to determine the Maximum power dissipation for the LMH6738:

1. Calculate the quiescent (no-load) power:  $P_{AMP} = I_{CC} * (V_S) \quad V_S = V^+ - V^-$
2. Calculate the RMS power dissipated in the output stage:
  - $P_D (rms) = rms ((V_S - V_{OUT}) * I_{OUT})$  where  $V_{OUT}$  and  $I_{OUT}$  are the voltage and current across the external load and  $V_S$  is the total supply current
3. Calculate the total RMS power:  $P_T = P_{AMP} + P_D$

The maximum power that the LMH6738, package can dissipate at a given temperature can be derived with the following equation (See [Figure 28](#)):

$P_{MAX} = (150^\circ - T_{AMB}) / \theta_{JA}$ , where  $T_{AMB}$  = Ambient temperature (°C) and  $\theta_{JA}$  = Thermal resistance, from junction to ambient, for a given package (°C/W). For the SSOP package  $\theta_{JA}$  is 120°C/W.

## ESD PROTECTION

The LMH6738 is protected against electrostatic discharge (ESD) on all pins. The LMH6738 will survive 2000V Human Body model and 200V Machine model events.

Under closed loop operation the ESD diodes have no effect on circuit performance. There are occasions, however, when the ESD diodes will be evident. If the LMH6738 is driven by a large signal while the device is powered down the ESD diodes will conduct.

The current that flows through the ESD diodes will either exit the chip through the supply pins or will flow through the device, hence it is possible to power up a chip with a large signal applied to the input pins. Shorting the power pins to each other will prevent the chip from being powered up through the input.

## REVISION HISTORY

Changes from Revision D (March 2013) to Revision E	Page
• Changed layout of National Data Sheet to TI format .....	<a href="#">13</a>

**PACKAGING INFORMATION**

Orderable Device	Status (1)	Package Type	Package Drawing	Pins	Package Qty	Eco Plan (2)	Lead/Ball Finish	MSL Peak Temp (3)	Op Temp (°C)	Top-Side Markings (4)	Samples
LMH6738MQ/NOPB	ACTIVE	SSOP	DBQ	16	95	Green (RoHS & no Sb/Br)	SN	Level-1-260C-UNLIM	-40 to 85	LH67 38MQ	<a href="#">Samples</a>
LMH6738MQX/NOPB	ACTIVE	SSOP	DBQ	16	2500	Green (RoHS & no Sb/Br)	SN	Level-1-260C-UNLIM	-40 to 85	LH67 38MQ	<a href="#">Samples</a>

(1) The marketing status values are defined as follows:

**ACTIVE:** Product device recommended for new designs.

**LIFEBUY:** TI has announced that the device will be discontinued, and a lifetime-buy period is in effect.

**NRND:** Not recommended for new designs. Device is in production to support existing customers, but TI does not recommend using this part in a new design.

**PREVIEW:** Device has been announced but is not in production. Samples may or may not be available.

**OBSOLETE:** TI has discontinued the production of the device.

(2) Eco Plan - The planned eco-friendly classification: Pb-Free (RoHS), Pb-Free (RoHS Exempt), or Green (RoHS & no Sb/Br) - please check <http://www.ti.com/productcontent> for the latest availability information and additional product content details.

**TBD:** The Pb-Free/Green conversion plan has not been defined.

**Pb-Free (RoHS):** TI's terms "Lead-Free" or "Pb-Free" mean semiconductor products that are compatible with the current RoHS requirements for all 6 substances, including the requirement that lead not exceed 0.1% by weight in homogeneous materials. Where designed to be soldered at high temperatures, TI Pb-Free products are suitable for use in specified lead-free processes.

**Pb-Free (RoHS Exempt):** This component has a RoHS exemption for either 1) lead-based flip-chip solder bumps used between the die and package, or 2) lead-based die adhesive used between the die and leadframe. The component is otherwise considered Pb-Free (RoHS compatible) as defined above.

**Green (RoHS & no Sb/Br):** TI defines "Green" to mean Pb-Free (RoHS compatible), and free of Bromine (Br) and Antimony (Sb) based flame retardants (Br or Sb do not exceed 0.1% by weight in homogeneous material)

(3) MSL, Peak Temp. -- The Moisture Sensitivity Level rating according to the JEDEC industry standard classifications, and peak solder temperature.

(4) Multiple Top-Side Markings will be inside parentheses. Only one Top-Side Marking contained in parentheses and separated by a "~" will appear on a device. If a line is indented then it is a continuation of the previous line and the two combined represent the entire Top-Side Marking for that device.

**Important Information and Disclaimer:** The information provided on this page represents TI's knowledge and belief as of the date that it is provided. TI bases its knowledge and belief on information provided by third parties, and makes no representation or warranty as to the accuracy of such information. Efforts are underway to better integrate information from third parties. TI has taken and continues to take reasonable steps to provide representative and accurate information but may not have conducted destructive testing or chemical analysis on incoming materials and chemicals. TI and TI suppliers consider certain information to be proprietary, and thus CAS numbers and other limited information may not be available for release.

In no event shall TI's liability arising out of such information exceed the total purchase price of the TI part(s) at issue in this document sold by TI to Customer on an annual basis.

## TAPE AND REEL INFORMATION



### QUADRANT ASSIGNMENTS FOR PIN 1 ORIENTATION IN TAPE



\*All dimensions are nominal

Device	Package Type	Package Drawing	Pins	SPQ	Reel Diameter (mm)	Reel Width W1 (mm)	A0 (mm)	B0 (mm)	K0 (mm)	P1 (mm)	W (mm)	Pin1 Quadrant
LMH6738MQX/NOPB	SSOP	DBQ	16	2500	330.0	12.4	6.5	5.4	2.0	8.0	12.0	Q1



TAPE AND REEL BOX DIMENSIONS

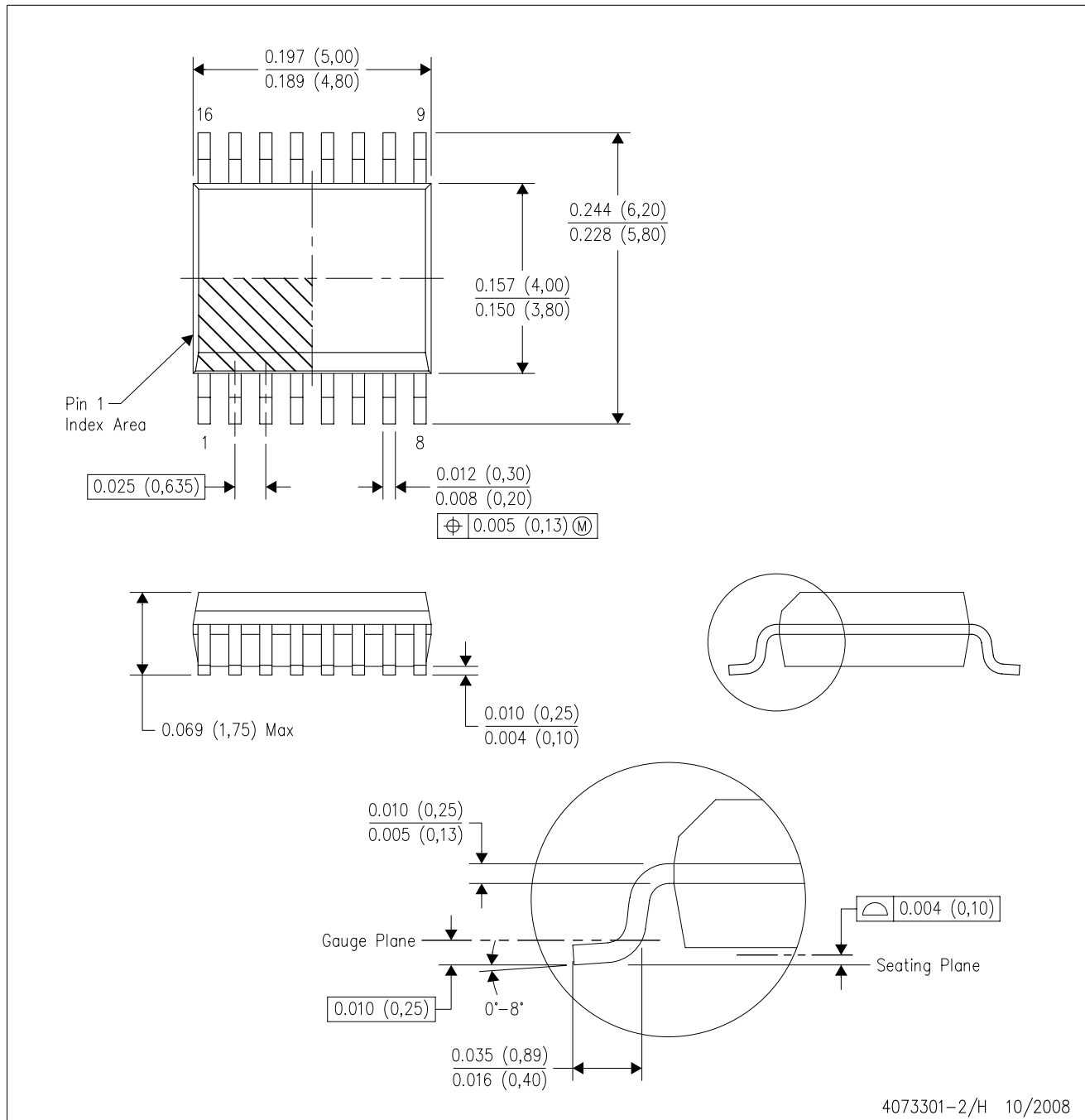


\*All dimensions are nominal

Device	Package Type	Package Drawing	Pins	SPQ	Length (mm)	Width (mm)	Height (mm)
LMH6738MQX/NOPB	SSOP	DBQ	16	2500	367.0	367.0	35.0

DBQ (R-PDSO-G16)

PLASTIC SMALL-OUTLINE PACKAGE



- NOTES:
- A. All linear dimensions are in inches (millimeters).
  - B. This drawing is subject to change without notice.
  - C. Body dimensions do not include mold flash or protrusion not to exceed 0.006 (0,15) per side.
  - D. Falls within JEDEC MO-137 variation AB.

## IMPORTANT NOTICE

Texas Instruments Incorporated and its subsidiaries (TI) reserve the right to make corrections, enhancements, improvements and other changes to its semiconductor products and services per JESD46, latest issue, and to discontinue any product or service per JESD48, latest issue. Buyers should obtain the latest relevant information before placing orders and should verify that such information is current and complete. All semiconductor products (also referred to herein as "components") are sold subject to TI's terms and conditions of sale supplied at the time of order acknowledgment.

TI warrants performance of its components to the specifications applicable at the time of sale, in accordance with the warranty in TI's terms and conditions of sale of semiconductor products. Testing and other quality control techniques are used to the extent TI deems necessary to support this warranty. Except where mandated by applicable law, testing of all parameters of each component is not necessarily performed.

TI assumes no liability for applications assistance or the design of Buyers' products. Buyers are responsible for their products and applications using TI components. To minimize the risks associated with Buyers' products and applications, Buyers should provide adequate design and operating safeguards.

TI does not warrant or represent that any license, either express or implied, is granted under any patent right, copyright, mask work right, or other intellectual property right relating to any combination, machine, or process in which TI components or services are used. Information published by TI regarding third-party products or services does not constitute a license to use such products or services or a warranty or endorsement thereof. Use of such information may require a license from a third party under the patents or other intellectual property of the third party, or a license from TI under the patents or other intellectual property of TI.

Reproduction of significant portions of TI information in TI data books or data sheets is permissible only if reproduction is without alteration and is accompanied by all associated warranties, conditions, limitations, and notices. TI is not responsible or liable for such altered documentation. Information of third parties may be subject to additional restrictions.

Resale of TI components or services with statements different from or beyond the parameters stated by TI for that component or service voids all express and any implied warranties for the associated TI component or service and is an unfair and deceptive business practice. TI is not responsible or liable for any such statements.

Buyer acknowledges and agrees that it is solely responsible for compliance with all legal, regulatory and safety-related requirements concerning its products, and any use of TI components in its applications, notwithstanding any applications-related information or support that may be provided by TI. Buyer represents and agrees that it has all the necessary expertise to create and implement safeguards which anticipate dangerous consequences of failures, monitor failures and their consequences, lessen the likelihood of failures that might cause harm and take appropriate remedial actions. Buyer will fully indemnify TI and its representatives against any damages arising out of the use of any TI components in safety-critical applications.

In some cases, TI components may be promoted specifically to facilitate safety-related applications. With such components, TI's goal is to help enable customers to design and create their own end-product solutions that meet applicable functional safety standards and requirements. Nonetheless, such components are subject to these terms.

No TI components are authorized for use in FDA Class III (or similar life-critical medical equipment) unless authorized officers of the parties have executed a special agreement specifically governing such use.

Only those TI components which TI has specifically designated as military grade or "enhanced plastic" are designed and intended for use in military/aerospace applications or environments. Buyer acknowledges and agrees that any military or aerospace use of TI components which have **not** been so designated is solely at the Buyer's risk, and that Buyer is solely responsible for compliance with all legal and regulatory requirements in connection with such use.

TI has specifically designated certain components as meeting ISO/TS16949 requirements, mainly for automotive use. In any case of use of non-designated products, TI will not be responsible for any failure to meet ISO/TS16949.

### Products

Audio	<a href="http://www.ti.com/audio">www.ti.com/audio</a>
Amplifiers	<a href="http://amplifier.ti.com">amplifier.ti.com</a>
Data Converters	<a href="http://dataconverter.ti.com">dataconverter.ti.com</a>
DLP® Products	<a href="http://www.dlp.com">www.dlp.com</a>
DSP	<a href="http://dsp.ti.com">dsp.ti.com</a>
Clocks and Timers	<a href="http://www.ti.com/clocks">www.ti.com/clocks</a>
Interface	<a href="http://interface.ti.com">interface.ti.com</a>
Logic	<a href="http://logic.ti.com">logic.ti.com</a>
Power Mgmt	<a href="http://power.ti.com">power.ti.com</a>
Microcontrollers	<a href="http://microcontroller.ti.com">microcontroller.ti.com</a>
RFID	<a href="http://www.ti-rfid.com">www.ti-rfid.com</a>
OMAP Applications Processors	<a href="http://www.ti.com/omap">www.ti.com/omap</a>
Wireless Connectivity	<a href="http://www.ti.com/wirelessconnectivity">www.ti.com/wirelessconnectivity</a>

### Applications

Automotive and Transportation	<a href="http://www.ti.com/automotive">www.ti.com/automotive</a>
Communications and Telecom	<a href="http://www.ti.com/communications">www.ti.com/communications</a>
Computers and Peripherals	<a href="http://www.ti.com/computers">www.ti.com/computers</a>
Consumer Electronics	<a href="http://www.ti.com/consumer-apps">www.ti.com/consumer-apps</a>
Energy and Lighting	<a href="http://www.ti.com/energy">www.ti.com/energy</a>
Industrial	<a href="http://www.ti.com/industrial">www.ti.com/industrial</a>
Medical	<a href="http://www.ti.com/medical">www.ti.com/medical</a>
Security	<a href="http://www.ti.com/security">www.ti.com/security</a>
Space, Avionics and Defense	<a href="http://www.ti.com/space-avionics-defense">www.ti.com/space-avionics-defense</a>
Video and Imaging	<a href="http://www.ti.com/video">www.ti.com/video</a>

### TI E2E Community

[e2e.ti.com](http://e2e.ti.com)