

LM2901EP Low Power Low Offset Voltage Quad Comparators

Check for Samples: [LM2901EP](#)

FEATURES

- **Wide Supply Voltage Range**
- **LM2901: 2 to 36 V_{DC} or ±1 to ±18 V_{DC}**
- **Very Low Supply Current Drain (0.8 mA) — Independent of Supply Voltage**
- **Low Input Biasing Current: 25 nA**
- **Low Input Offset Current: ±5 nA**
- **Offset Voltage: ±3 mV**
- **Input Common-Mode Voltage Range Includes GND**
- **Differential Input Voltage Range Equal to the Power Supply Voltage**
- **Low output saturation voltage: 250 mV at 4 mA**
- **Output Voltage Compatible with TTL, DTL, ECL, MOS and CMOS Logic Systems**

ADVANTAGES

- **High Precision Comparator**
- **Reduced V_{OS} Drift Over Temperature**
- **Eliminates Need for Dual Supplies**
- **Allows Sensing Near GND**
- **Compatible with all Forms of Logic**
- **Power Drain Suitable for Battery Operation**

APPLICATIONS

- **Selected Military Applications**
- **Selected Avionics Applications**

DESCRIPTION

The LM2901EP consists of four independent precision voltage comparators with an offset voltage specification as low as 2 mV max for all four comparators. These were designed specifically to operate from a single power supply over a wide range of voltages. Operation from split power supplies is also possible and the low power supply current drain is independent of the magnitude of the power supply voltage. This comparator also has a unique characteristic in that the input common-mode voltage range includes ground, even though operated from a single power supply voltage.

Application areas include limit comparators, simple analog to digital converters; pulse, squarewave and time delay generators; wide range VCO; MOS clock timers; multivibrators and high voltage digital logic gates. The LM2901EP was designed to directly interface with TTL and CMOS. When operated from both plus and minus power supplies, it will directly interface with MOS logic— where the low power drain of the LM2901EP is a distinct advantage over standard comparators.

ENHANCED PLASTIC

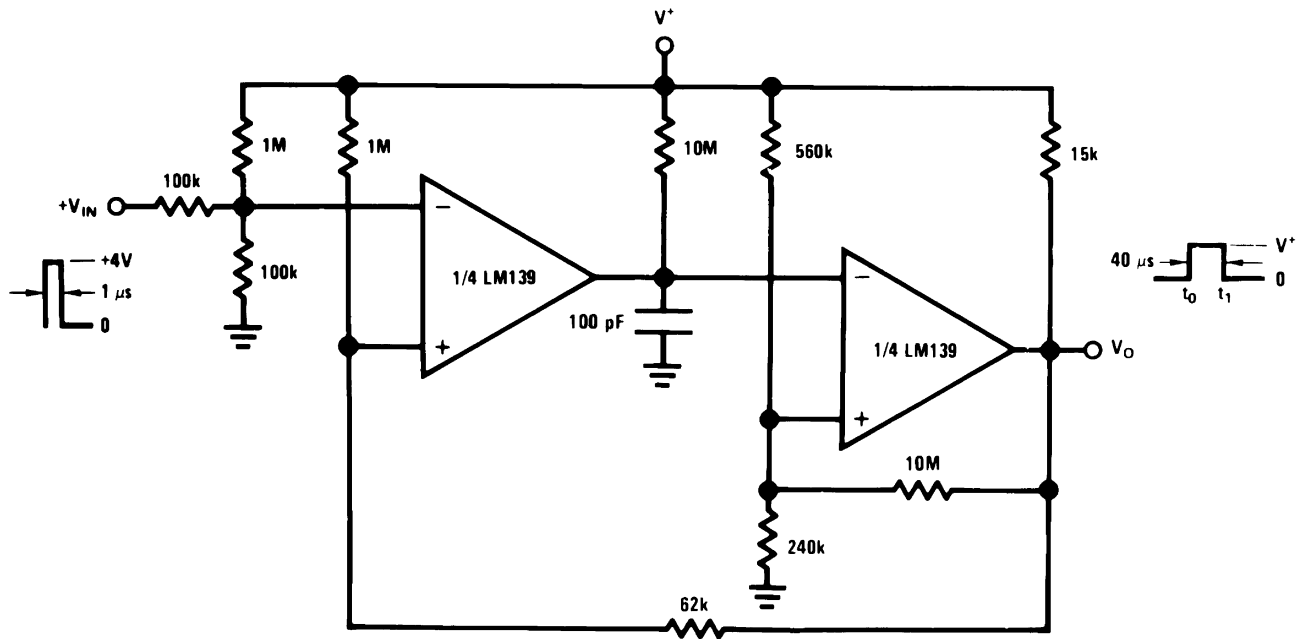
- **Extended Temperature Performance of -40°C to +85°C**
- **Baseline Control - Single Fab & Assembly Site**
- **Process Change Notification (PCN)**
- **Qualification & Reliability Data**
- **Solder (PbSn) Lead Finish is standard**
- **Enhanced Diminishing Manufacturing Sources (DMS) Support**



Please be aware that an important notice concerning availability, standard warranty, and use in critical applications of Texas Instruments semiconductor products and disclaimers thereto appears at the end of this data sheet.

All trademarks are the property of their respective owners.

One-Shot Multivibrator with Input Lock Out



These devices have limited built-in ESD protection. The leads should be shorted together or the device placed in conductive foam during storage or handling to prevent electrostatic damage to the MOS gates.

ABSOLUTE MAXIMUM RATINGS⁽¹⁾⁽²⁾

Supply Voltage, V^+		36 V_{DC} or $\pm 18 V_{DC}$	
Differential Input Voltage ⁽³⁾		36 V_{DC}	
Input Voltage		$-0.3 V_{DC}$ to $+36 V_{DC}$	
Input Current ($V_{IN} < -0.3 V_{DC}$), ⁽⁴⁾		50 mA	
Power Dissipation ⁽⁵⁾	Molded PDIP	1050 mW	
	Small Outline Package (SOIC)	760 mW	
Output Short-Circuit to GND, ⁽⁶⁾		Continuous	
Storage Temperature Range		-65°C to $+150^{\circ}\text{C}$	
Lead Temperature (Soldering, 10 seconds)		260 $^{\circ}\text{C}$	
Operating Temperature Range	LM2901	-40°C to $+85^{\circ}\text{C}$	
Soldering Information	Dual-In-Line Package	Soldering (10 seconds)	260 $^{\circ}\text{C}$
	Small Outline Package	Vapor Phase (60 seconds)	215 $^{\circ}\text{C}$
		Infrared (15 seconds)	220 $^{\circ}\text{C}$
ESD rating (1.5 k Ω in series with 100 pF)		600V	

- (1) Absolute Maximum Ratings indicate limits beyond which damage to the device may occur.
- (2) If Military/Aerospace specified devices are required, please contact the TI Sales Office/ Distributors for availability and specifications.
- (3) Positive excursions of input voltage may exceed the power supply level. As long as the other voltage remains within the common-mode range, the comparator will provide a proper output state. The low input voltage state must not be less than $-0.3 V_{DC}$ (or $0.3 V_{DC}$ below the magnitude of the negative power supply, if used) (at 25 $^{\circ}\text{C}$).
- (4) This input current will only exist when the voltage at any of the input leads is driven negative. It is due to the collector-base junction of the input PNP transistors becoming forward biased and thereby acting as input diode clamps. In addition to this diode action, there is also lateral NPN parasitic transistor action on the IC chip. This transistor action can cause the output voltages of the comparators to go to the V^+ voltage level (or to ground for a large overdrive) for the time duration that an input is driven negative. This is not destructive and normal output states will re-establish when the input voltage, which was negative, again returns to a value greater than $-0.3 V_{DC}$ (at 25 $^{\circ}\text{C}$).
- (5) For operating at high temperatures, the LM2901EP must be derated based on a 125 $^{\circ}\text{C}$ maximum junction temperature and a thermal resistance of 95 $^{\circ}\text{C}/\text{W}$ which applies for the device soldered in a printed circuit board, operating in a still air ambient. The low bias dissipation and the "ON-OFF" characteristic of the outputs keeps the chip dissipation very small ($P_D \leq 100$ mW), provided the output transistors are allowed to saturate.
- (6) Short circuits from the output to V^+ can cause excessive heating and eventual destruction. When considering short circuits to ground, the maximum output current is approximately 20 mA independent of the magnitude of V^+ .

ELECTRICAL CHARACTERISTICS⁽¹⁾
 $(V^+ = 5 V_{DC}, T_A = 25^{\circ}\text{C}, \text{ unless otherwise stated})$

Parameter	Conditions	LM2901			Units
		Min	Typ	Max	
Input Offset Voltage	See ⁽²⁾		2.0	7.0	mV $_{DC}$
Input Bias Current	$I_{IN(+)}$ or $I_{IN(-)}$ with Output in Linear Range, ⁽³⁾ $V_{CM}=0V$		25	250	nA $_{DC}$
Input Offset Current	$I_{IN(+)} - I_{IN(-)}, V_{CM} = 0V$		5	50	nA $_{DC}$
Input Common-Mode Voltage Range	$V^+ = 30 V_{DC}$ ⁽⁴⁾	0		$V^+ - 1.5$	V_{DC}
Supply Current	$R_L = \infty$ on all Comparators, $R_L = \infty, V^+ = 36V,$		0.8 1.0	2.0 2.5	mA $_{DC}$ mA $_{DC}$
Voltage Gain	$R_L \geq 15$ k $\Omega, V^+ = 15 V_{DC}$ $V_O = 1 V_{DC}$ to $11 V_{DC}$	25	100		V/mV

- (1) "Testing and other quality control techniques are used to the extent deemed necessary to ensure product performance over the specified temperature range. Product may not necessarily be tested across the full temperature range and all parameters may not necessarily be tested. In the absence of specific PARAMETRIC testing, product performance is assured by characterization and/or design."
- (2) At output switch point, $V_O = 1.4 V_{DC}$, $R_S = 0\Omega$ with V^+ from 5 V_{DC} to 30 V_{DC} ; and over the full input common-mode range (0 V_{DC} to $V^+ - 1.5 V_{DC}$), at 25 $^{\circ}\text{C}$.
- (3) The direction of the input current is out of the IC due to the PNP input stage. This current is essentially constant, independent of the state of the output so no loading change exists on the reference or input lines.
- (4) The input common-mode voltage or either input signal voltage should not be allowed to go negative by more than 0.3V. The upper end of the common-mode voltage range is $V^+ - 1.5V$ at 25 $^{\circ}\text{C}$, but either or both inputs can go to $+30 V_{DC}$ without damage independent of the magnitude of V^+ .

ELECTRICAL CHARACTERISTICS⁽¹⁾ (continued) $(V^+ = 5 V_{DC}, T_A = 25^\circ\text{C}, \text{ unless otherwise stated})$

Parameter	Conditions	LM2901			Units
		Min	Typ	Max	
Large Signal Response Time	$V_{IN} = \text{TTL Logic Swing}, V_{REF} = 1.4 V_{DC}, V_{RL} = 5 V_{DC}, R_L = 5.1 \text{ k}\Omega,$		300		ns
Response Time	$V_{RL} = 5 V_{DC}, R_L = 5.1 \text{ k}\Omega,^{(5)}$		1.3		μs
Output Sink Current	$V_{IN(-)} = 1 V_{DC}, V_{IN(+)} = 0, V_O \leq 1.5 V_{DC}$	6.0	16		mA_{DC}
Saturation Voltage	$V_{IN(-)} = 1 V_{DC}, V_{IN(+)} = 0, I_{SINK} \leq 4 \text{ mA}$		250	400	mV_{DC}
Output Leakage Current	$V_{IN(+)} = 1 V_{DC}, V_{IN(-)} = 0, V_O = 5 V_{DC}$		0.1		nA_{DC}

(5) The response time specified is a 100 mV input step with 5 mV overdrive. For larger overdrive signals 300 ns can be obtained, see [TYPICAL PERFORMANCE CHARACTERISTICS](#) section.

ELECTRICAL CHARACTERISTICS⁽¹⁾ $(V^+ = 5.0 V_{DC})^{(2)}$

Parameter	Conditions	LM2901			Units
		Min	Typ	Max	
Input Offset Voltage	See ⁽³⁾		9	15	mV_{DC}
Input Offset Current	$I_{IN(+)} - I_{IN(-)}, V_{CM} = 0V$		50	200	nA_{DC}
Input Bias Current	$I_{IN(+)}$ or $I_{IN(-)}$ with Output in Linear Range, $V_{CM} = 0V^{(4)}$		200	500	nA_{DC}
Input Common-Mode Voltage Range	$V^+ = 30 V_{DC}^{(5)}$	0		$V^+ - 2.0$	V_{DC}
Saturation Voltage	$V_{IN(-)} = 1 V_{DC}, V_{IN(+)} = 0, I_{SINK} \leq 4 \text{ mA}$		400	700	mV_{DC}
Output Leakage Current	$V_{IN(+)} = 1 V_{DC}, V_{IN(-)} = 0, V_O = 30 V_{DC}$			1.0	μA_{DC}
Differential Input Voltage	Keep all $V_{IN}'s \geq 0 V_{DC}$ (or V^- , if used), ⁽⁶⁾			36	V_{DC}

- (1) "Testing and other quality control techniques are used to the extent deemed necessary to ensure product performance over the specified temperature range. Product may not necessarily be tested across the full temperature range and all parameters may not necessarily be tested. In the absence of specific PARAMETRIC testing, product performance is assured by characterization and/or design."
- (2) These specifications are limited to $-40^\circ\text{C} \leq T_A \leq +85^\circ\text{C}$, for the LM2901EP.
- (3) At output switch point, $V_O \approx 1.4 V_{DC}$, $R_S = 0\Omega$ with V^+ from $5 V_{DC}$ to $30 V_{DC}$; and over the full input common-mode range ($0 V_{DC}$ to $V^+ - 1.5 V_{DC}$), at 25°C .
- (4) The direction of the input current is out of the IC due to the PNP input stage. This current is essentially constant, independent of the state of the output so no loading change exists on the reference or input lines.
- (5) The input common-mode voltage or either input signal voltage should not be allowed to go negative by more than 0.3V. The upper end of the common-mode voltage range is $V^+ - 1.5V$ at 25°C , but either or both inputs can go to $+30 V_{DC}$ without damage independent of the magnitude of V^+ .
- (6) Positive excursions of input voltage may exceed the power supply level. As long as the other voltage remains within the common-mode range, the comparator will provide a proper output state. The low input voltage state must not be less than $-0.3 V_{DC}$ (or $0.3 V_{DC}$ below the magnitude of the negative power supply, if used) (at 25°C).

TYPICAL PERFORMANCE CHARACTERISTICS

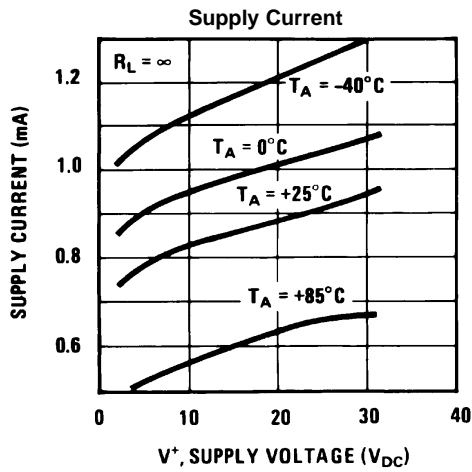


Figure 1.

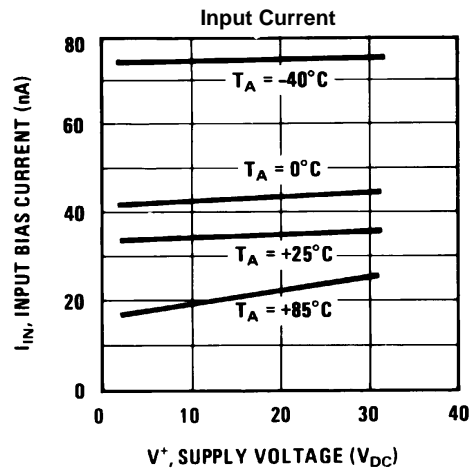


Figure 2.

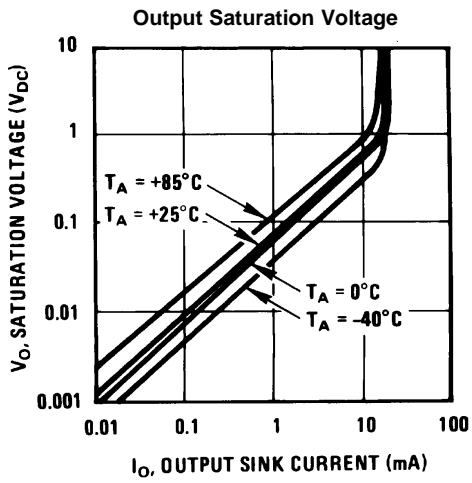


Figure 3.

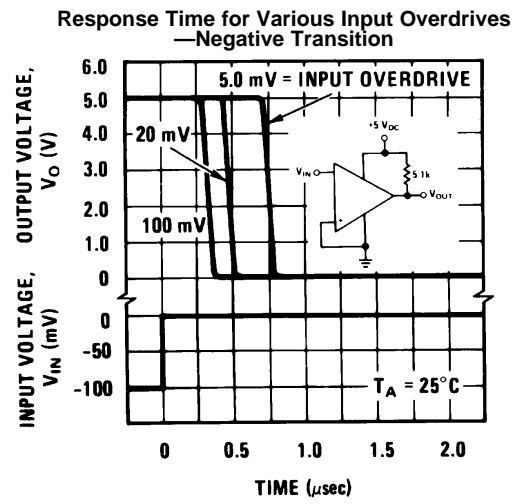


Figure 4.

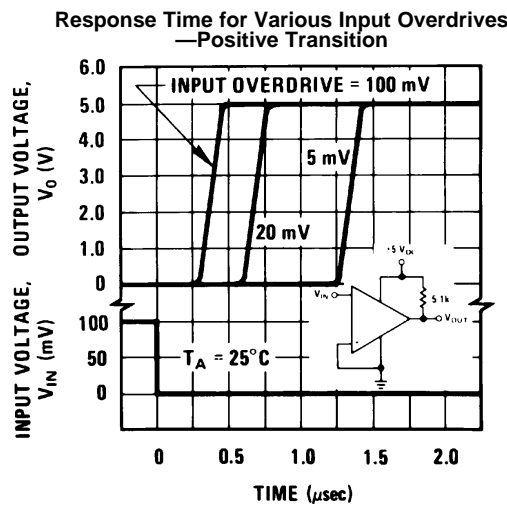


Figure 5.

APPLICATION HINTS

The LM2901EP is a high gain, wide bandwidth device which, like most comparators, can easily oscillate if the output lead is inadvertently allowed to capacitively couple to the inputs via stray capacitance. This shows up only during the output voltage transition intervals as the comparator changes states. Power supply bypassing is not required to solve this problem. Standard PC board layout is helpful as it reduces stray input-output coupling. Reducing this input resistors to $< 10\text{ k}\Omega$ reduces the feedback signal levels and finally, adding even a small amount (1 to 10 mV) of positive feedback (hysteresis) causes such a rapid transition that oscillations due to stray feedback are not possible. Simply socketing the IC and attaching resistors to the pins will cause input-output oscillations during the small transition intervals unless hysteresis is used. If the input signal is a pulse waveform, with relatively fast rise and fall times, hysteresis is not required.

All pins of any unused comparators should be tied to the negative supply.

The bias network of the LM2901EP series establishes a drain current which is independent of the magnitude of the power supply voltage over the range of from 2 V_{DC} to 30 V_{DC} .

It is usually unnecessary to use a bypass capacitor across the power supply line.

The differential input voltage may be larger than V^+ without damaging the device. Protection should be provided to prevent the input voltages from going negative more than $-0.3\text{ V}_{\text{DC}}$ (at 25°C). An input clamp diode can be used as shown in the [Typical Applications](#) section.

The output of the LM2901EP is the uncommitted collector of a grounded-emitter NPN output transistor. Many collectors can be tied together to provide an output OR'ing function. An output pull-up resistor can be connected to any available power supply voltage within the permitted supply voltage range and there is no restriction on this voltage due to the magnitude of the voltage which is applied to the V^+ terminal of the LM2901EP package. The output can also be used as a simple SPST switch to ground (when a pull-up resistor is not used). The amount of current which the output device can sink is limited by the drive available (which is independent of V^+) and the β of this device. When the maximum current limit is reached (approximately 16 mA), the output transistor will come out of saturation and the output voltage will rise very rapidly. The output saturation voltage is limited by the approximately $60\Omega\text{ R}_{\text{SAT}}$ of the output transistor. The low offset voltage of the output transistor (1 mV) allows the output to clamp essentially to ground level for small load currents.

Typical Applications

($V^+ = 5.0\text{ V}_{\text{DC}}$)

The LM139 within this data sheet's graphics is referenced because of it's a similarity to the LM2901, however is not offered in this data sheet.

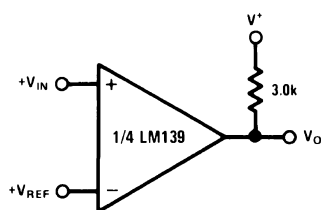


Figure 6. Basic Comparator

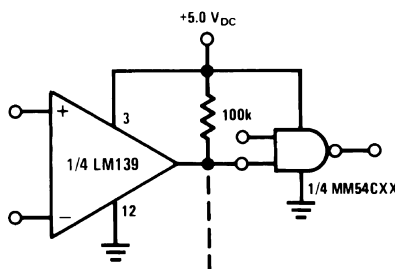


Figure 7. Driving CMOS

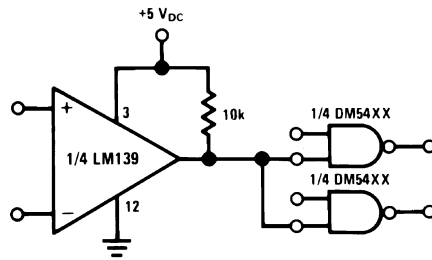


Figure 8. Driving TTL

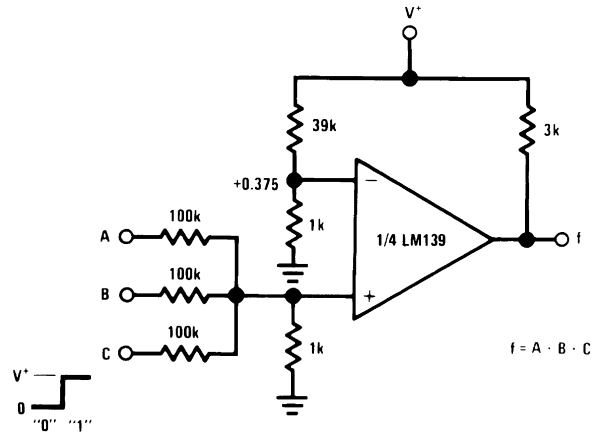


Figure 9. AND Gate

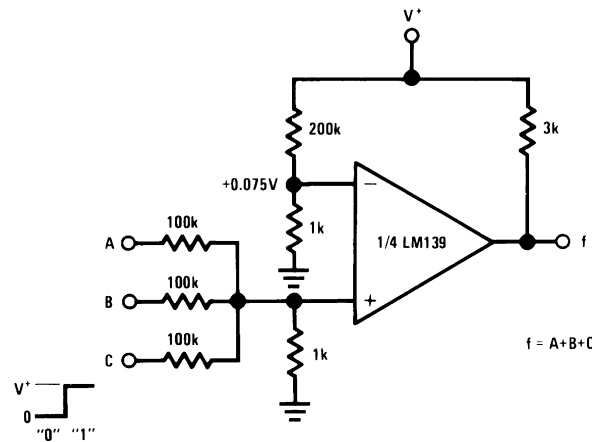


Figure 10. OR Gate

Typical Applications

($V^+ = 15\text{ V}_{\text{DC}}$)

The LM139 within this data sheet's graphics is referenced because of its similarity to the LM2901, however is not offered in this data sheet.

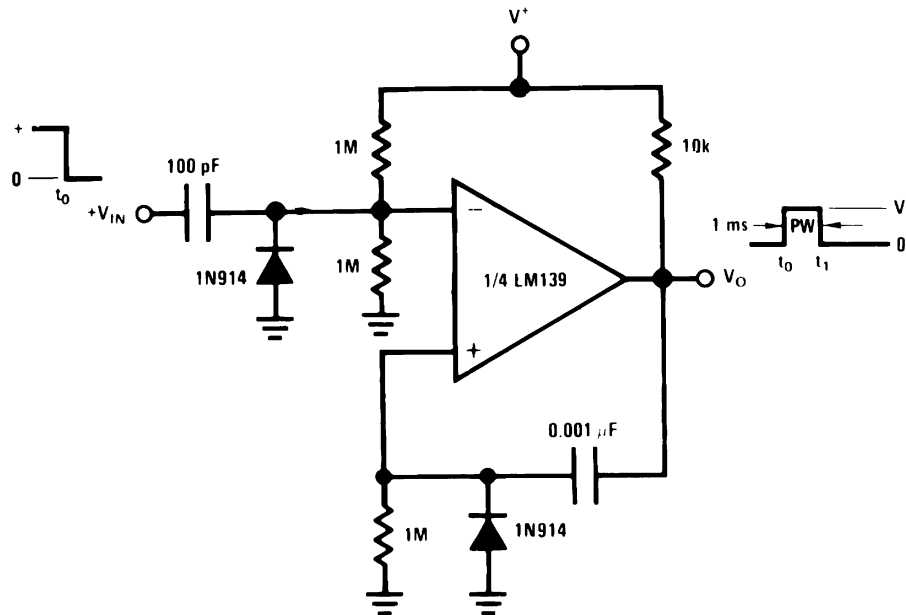


Figure 11. One-Shot Multivibrator

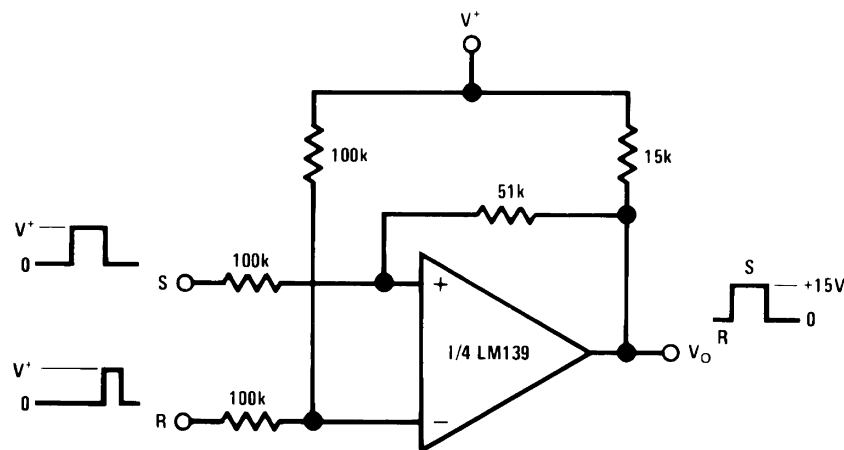


Figure 12. Bi-Stable Multivibrator

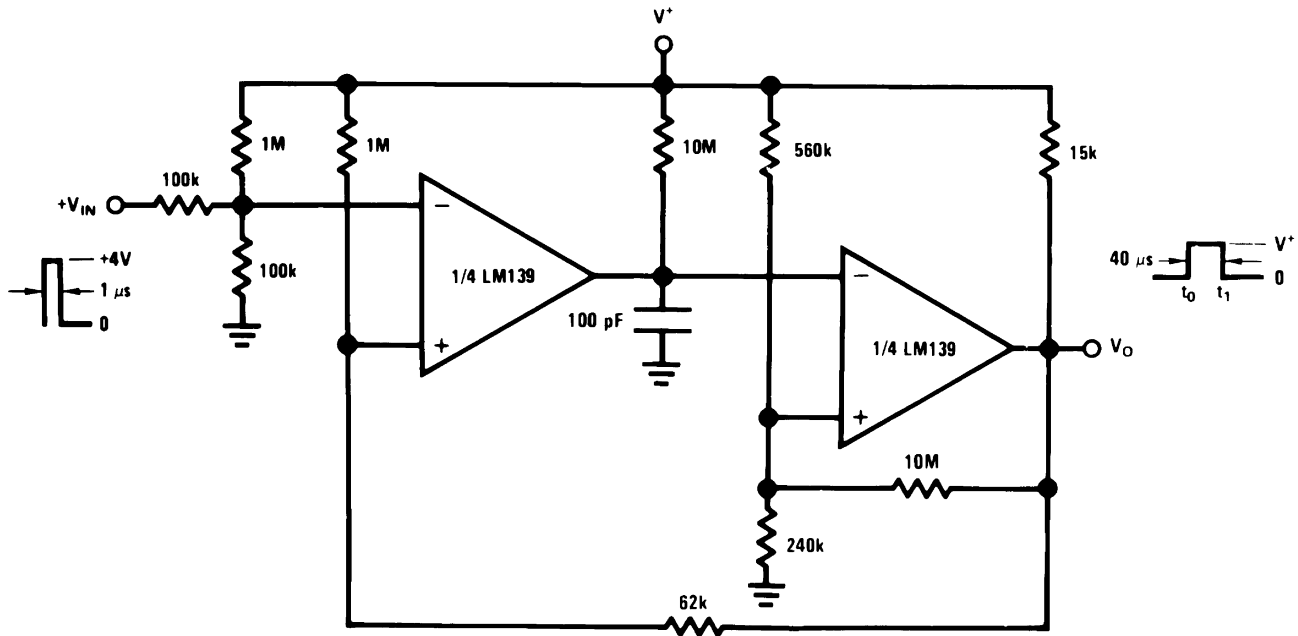


Figure 13. One-Shot Multivibrator with Input Lock Out

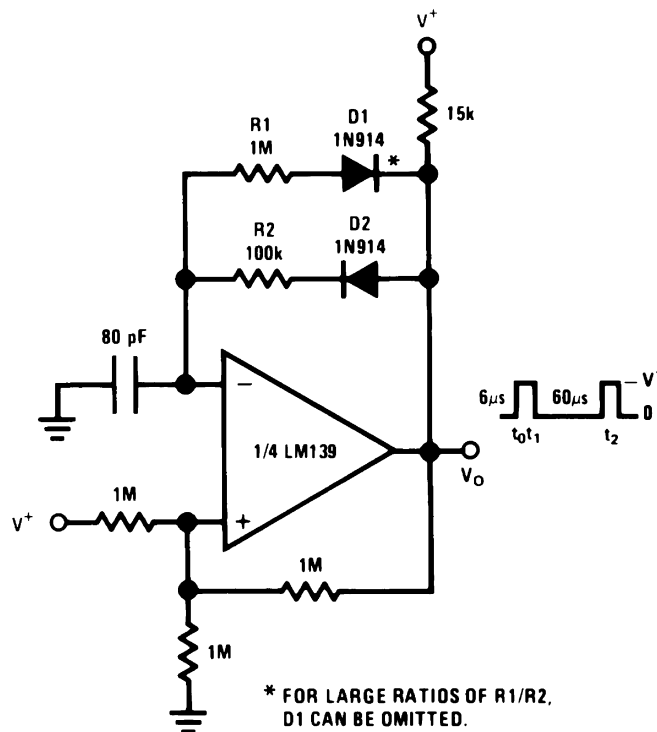


Figure 14. Pulse Generator

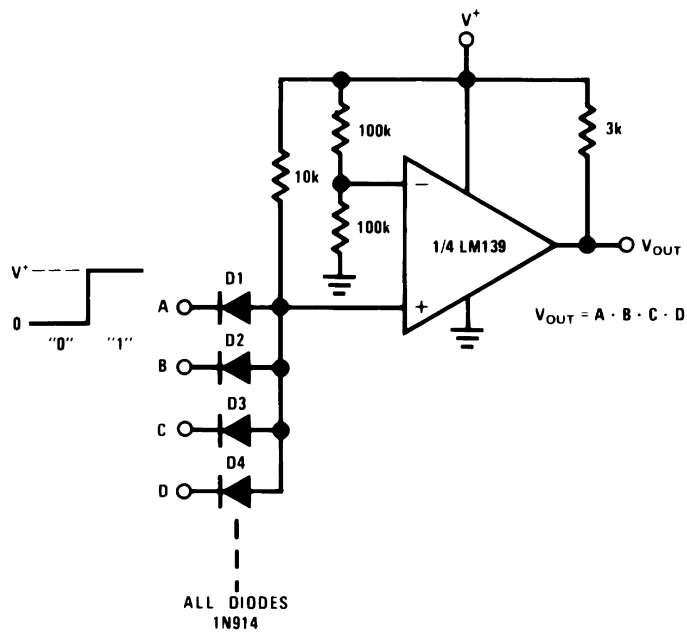


Figure 15. Large Fan-In AND Gate

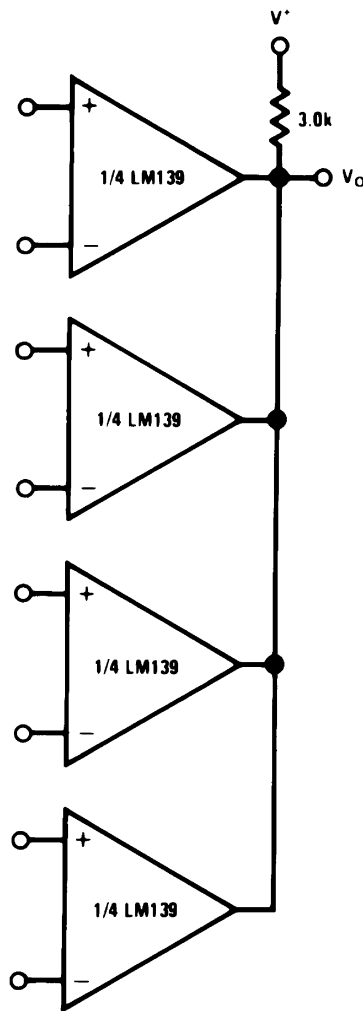


Figure 16. ORing the Outputs

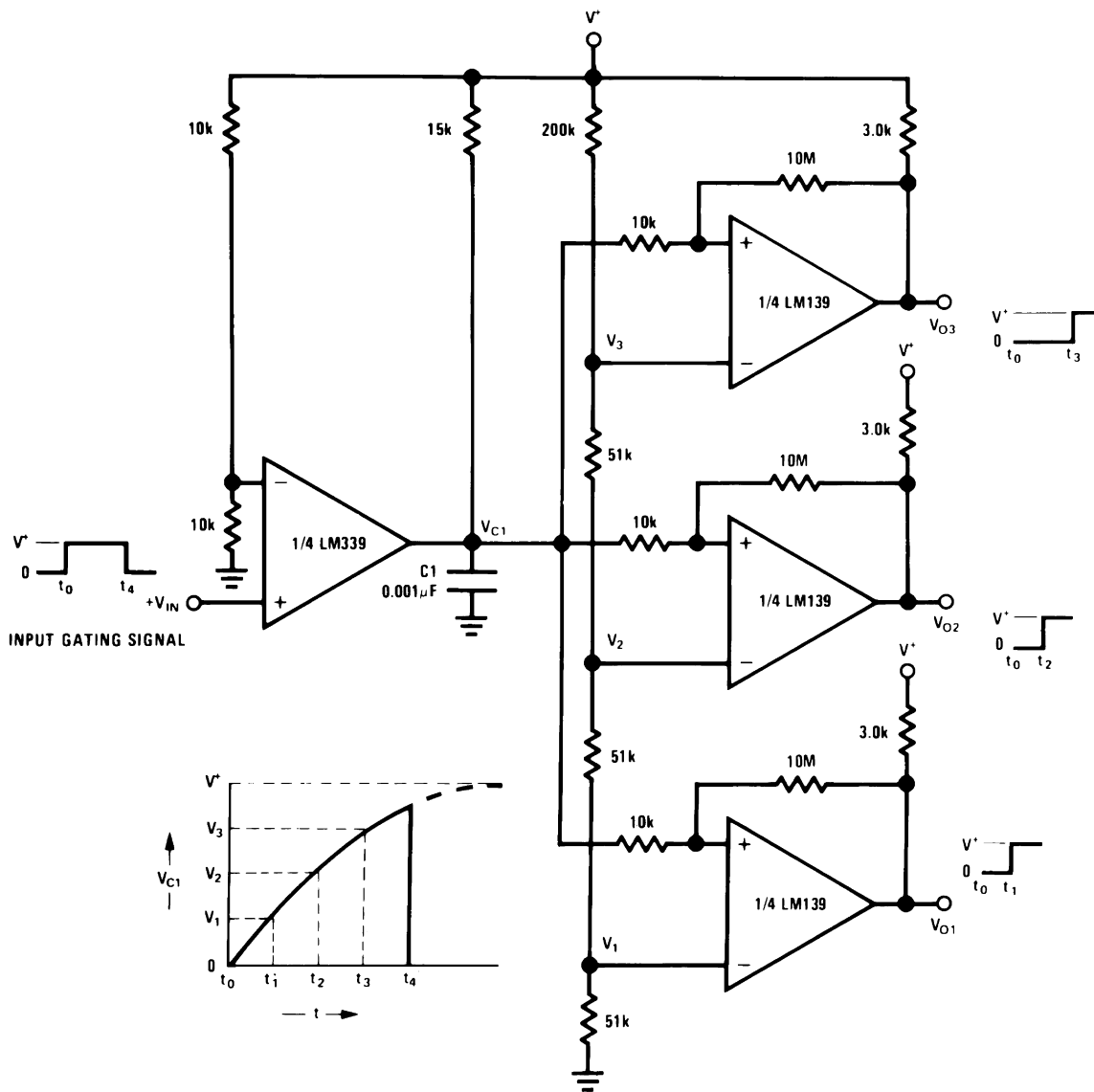


Figure 17. Time Delay Generator

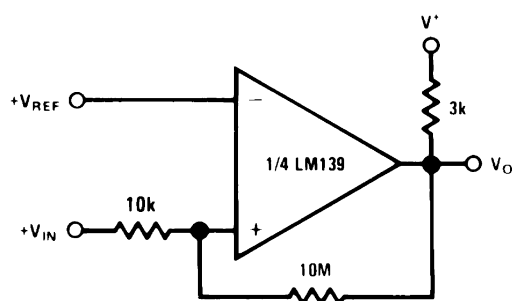


Figure 18. Non-Inverting Comparator with Hysteresis

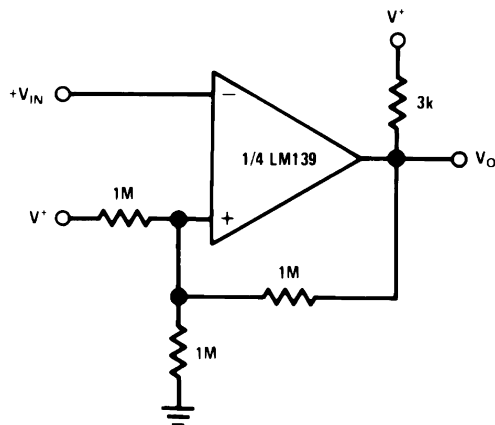


Figure 19. Inverting Comparator with Hysteresis

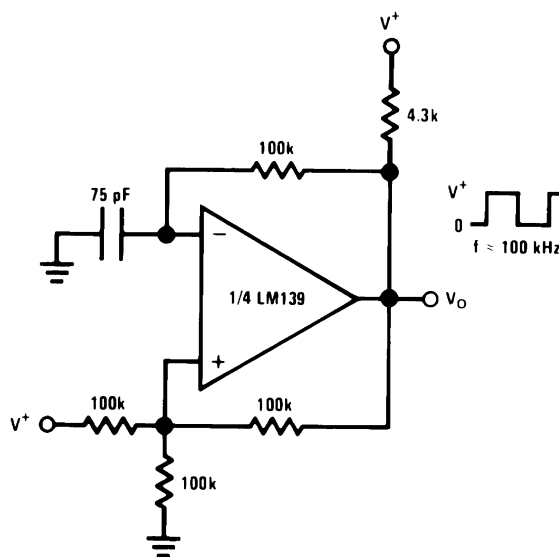


Figure 20. Squarewave Oscillator

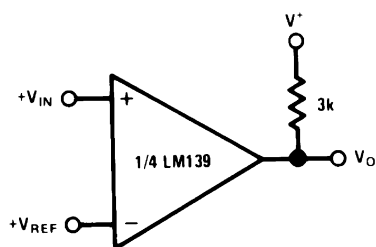


Figure 21. Basic Comparator

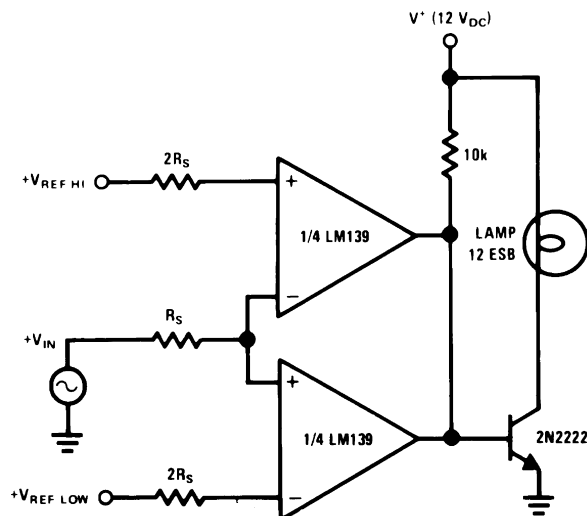


Figure 22. Limit Comparator

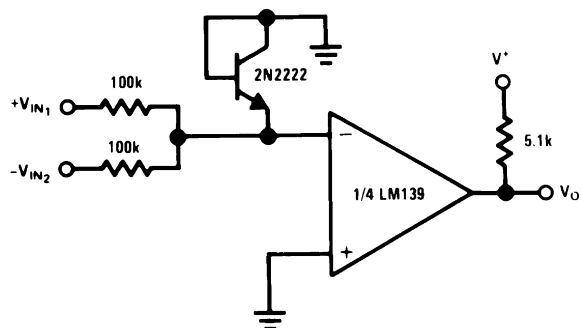
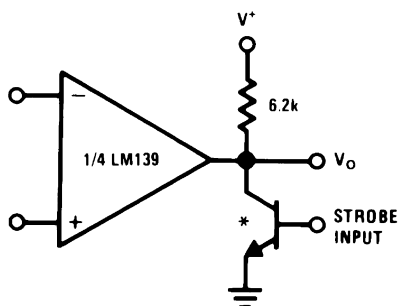


Figure 23. Comparing Input Voltages of Opposite Polarity



* Or open-collector logic gate without pull-up resistor

Figure 24. Output Strobing

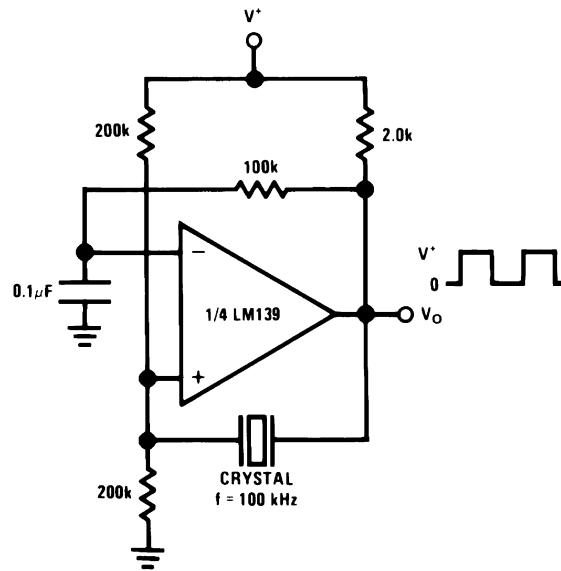
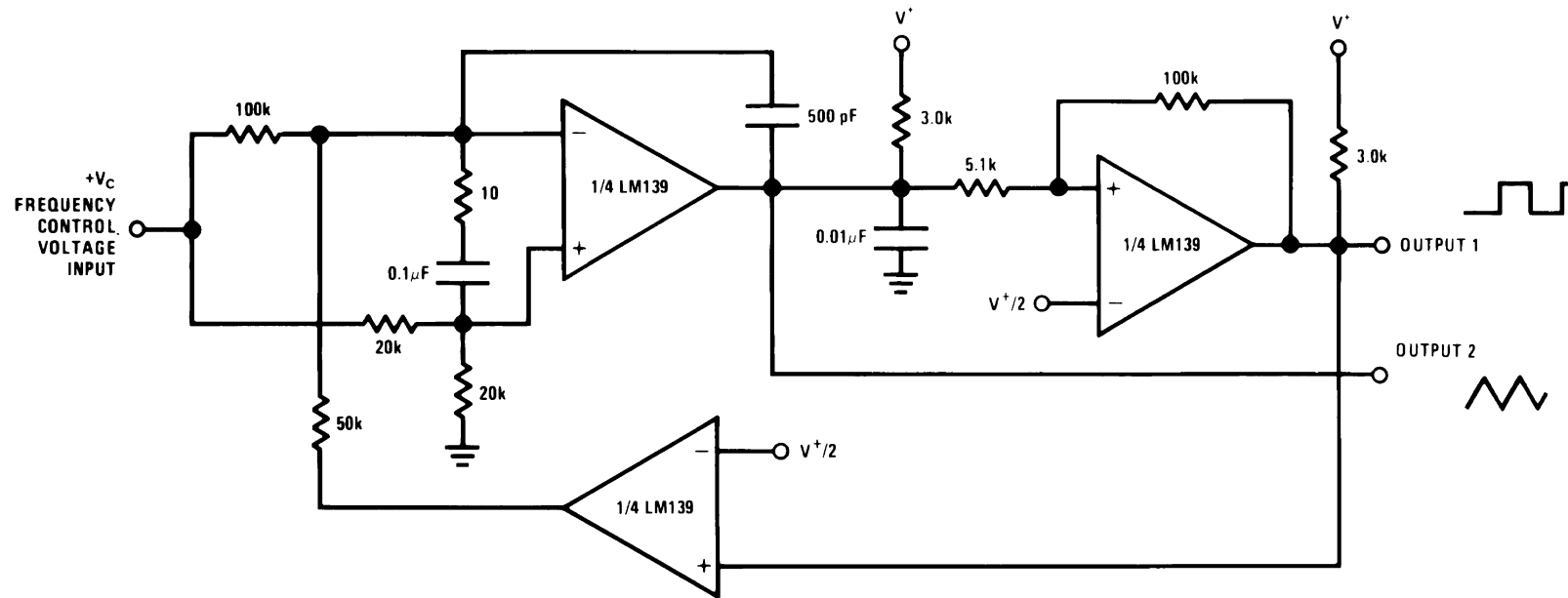


Figure 25. Crystal Controlled Oscillator



$V^+ = +30 V_{DC}$
 $250 mV_{DC} \leq V_C \leq +50 V_{DC}$
 $700 \text{ Hz} \leq f_O \leq 100 \text{ kHz}$

Figure 26. Two-Decade High-Frequency VCO

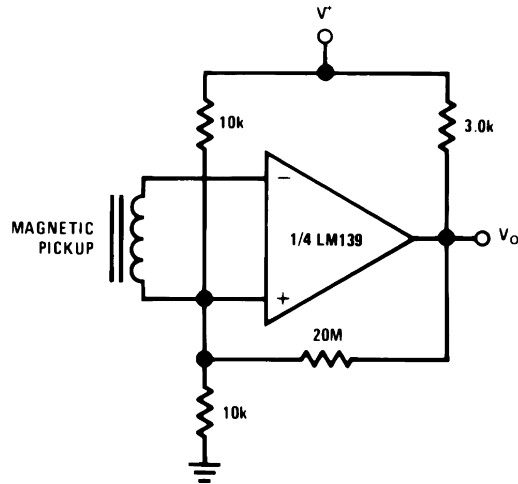


Figure 27. Transducer Amplifier

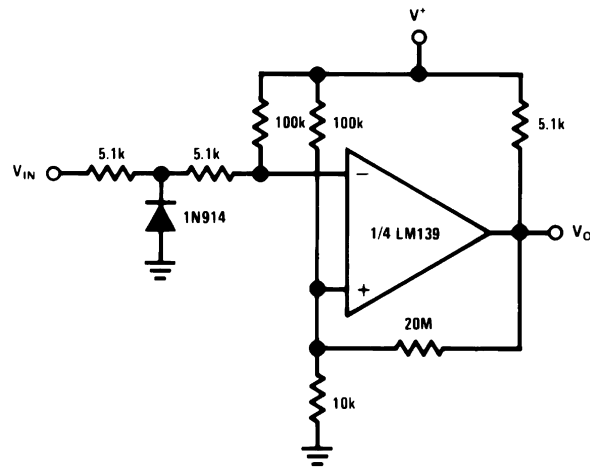


Figure 28. Zero Crossing Detector (Single Power Supply)

Split-Supply Applications

($V^+ = +15\text{ V}_{\text{DC}}$ and $V^- = -15\text{ V}_{\text{DC}}$)

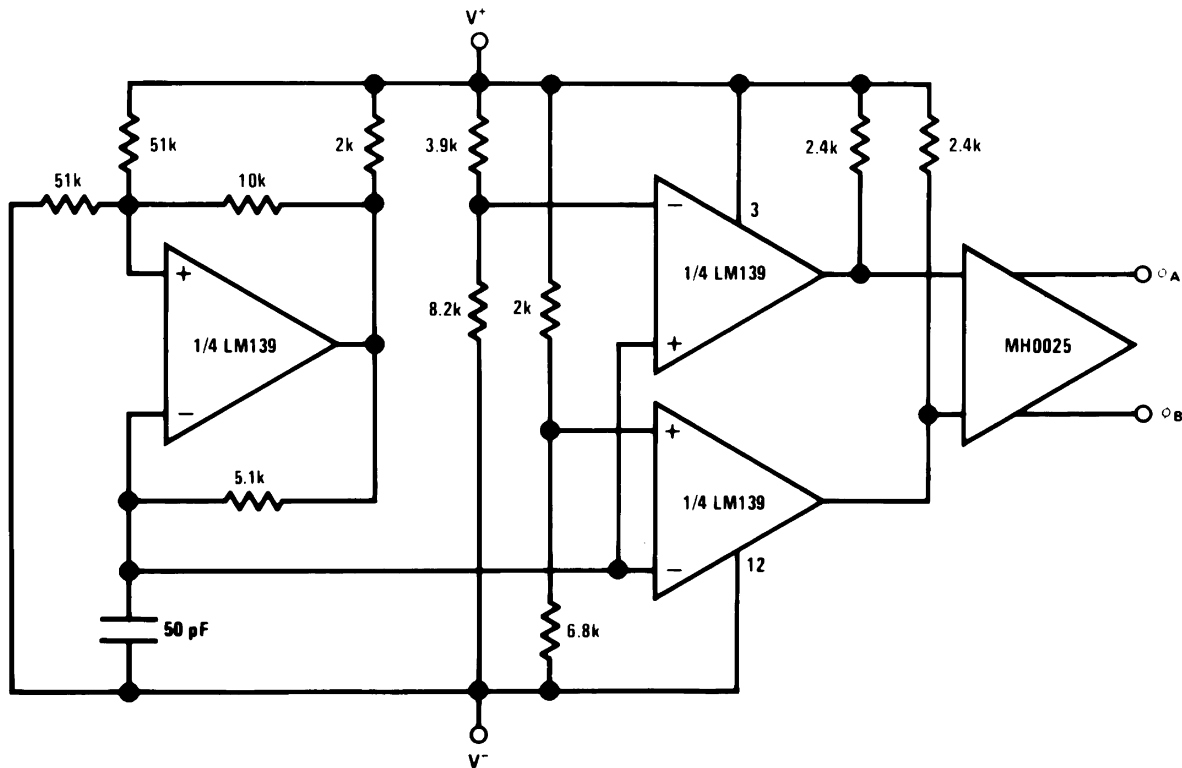


Figure 29. MOS Clock Driver

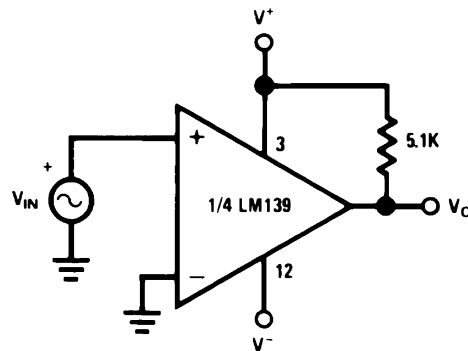


Figure 30. Zero Crossing Detector

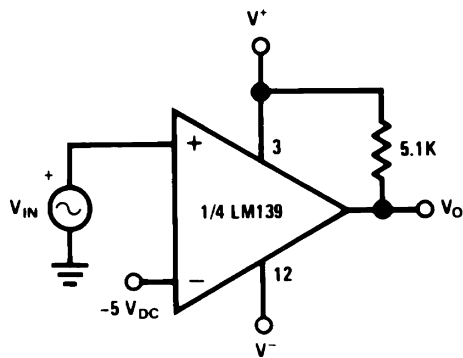
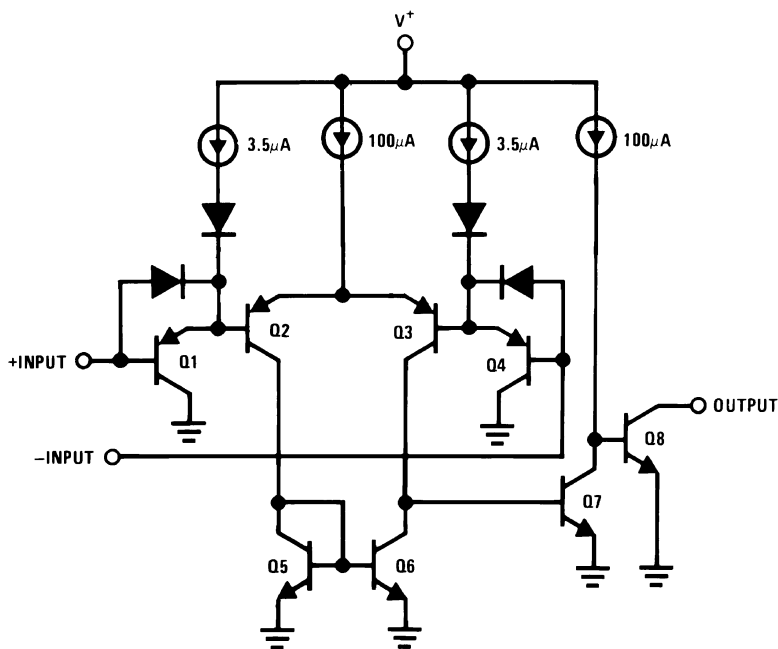
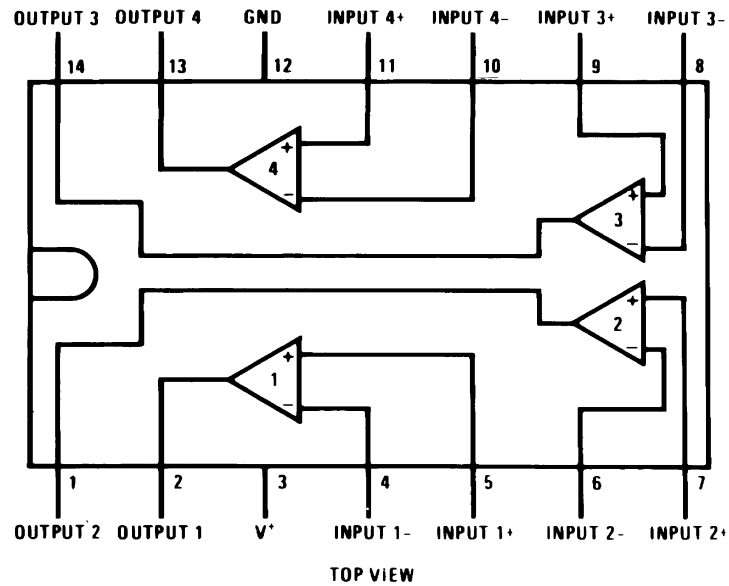


Figure 31. Comparator With a Negative Reference

Schematic Diagram



Connection Diagrams



Dual-In-Line Package - SOIC/PDIP
See Package Number D and NFF

REVISION HISTORY

Changes from Revision A (April 2013) to Revision B	Page
• Changed layout of National Data Sheet to TI format	20

IMPORTANT NOTICE

Texas Instruments Incorporated and its subsidiaries (TI) reserve the right to make corrections, enhancements, improvements and other changes to its semiconductor products and services per JESD46, latest issue, and to discontinue any product or service per JESD48, latest issue. Buyers should obtain the latest relevant information before placing orders and should verify that such information is current and complete. All semiconductor products (also referred to herein as "components") are sold subject to TI's terms and conditions of sale supplied at the time of order acknowledgment.

TI warrants performance of its components to the specifications applicable at the time of sale, in accordance with the warranty in TI's terms and conditions of sale of semiconductor products. Testing and other quality control techniques are used to the extent TI deems necessary to support this warranty. Except where mandated by applicable law, testing of all parameters of each component is not necessarily performed.

TI assumes no liability for applications assistance or the design of Buyers' products. Buyers are responsible for their products and applications using TI components. To minimize the risks associated with Buyers' products and applications, Buyers should provide adequate design and operating safeguards.

TI does not warrant or represent that any license, either express or implied, is granted under any patent right, copyright, mask work right, or other intellectual property right relating to any combination, machine, or process in which TI components or services are used. Information published by TI regarding third-party products or services does not constitute a license to use such products or services or a warranty or endorsement thereof. Use of such information may require a license from a third party under the patents or other intellectual property of the third party, or a license from TI under the patents or other intellectual property of TI.

Reproduction of significant portions of TI information in TI data books or data sheets is permissible only if reproduction is without alteration and is accompanied by all associated warranties, conditions, limitations, and notices. TI is not responsible or liable for such altered documentation. Information of third parties may be subject to additional restrictions.

Resale of TI components or services with statements different from or beyond the parameters stated by TI for that component or service voids all express and any implied warranties for the associated TI component or service and is an unfair and deceptive business practice. TI is not responsible or liable for any such statements.

Buyer acknowledges and agrees that it is solely responsible for compliance with all legal, regulatory and safety-related requirements concerning its products, and any use of TI components in its applications, notwithstanding any applications-related information or support that may be provided by TI. Buyer represents and agrees that it has all the necessary expertise to create and implement safeguards which anticipate dangerous consequences of failures, monitor failures and their consequences, lessen the likelihood of failures that might cause harm and take appropriate remedial actions. Buyer will fully indemnify TI and its representatives against any damages arising out of the use of any TI components in safety-critical applications.

In some cases, TI components may be promoted specifically to facilitate safety-related applications. With such components, TI's goal is to help enable customers to design and create their own end-product solutions that meet applicable functional safety standards and requirements. Nonetheless, such components are subject to these terms.

No TI components are authorized for use in FDA Class III (or similar life-critical medical equipment) unless authorized officers of the parties have executed a special agreement specifically governing such use.

Only those TI components which TI has specifically designated as military grade or "enhanced plastic" are designed and intended for use in military/aerospace applications or environments. Buyer acknowledges and agrees that any military or aerospace use of TI components which have **not** been so designated is solely at the Buyer's risk, and that Buyer is solely responsible for compliance with all legal and regulatory requirements in connection with such use.

TI has specifically designated certain components as meeting ISO/TS16949 requirements, mainly for automotive use. In any case of use of non-designated products, TI will not be responsible for any failure to meet ISO/TS16949.

Products

Audio	www.ti.com/audio
Amplifiers	amplifier.ti.com
Data Converters	dataconverter.ti.com
DLP® Products	www.dlp.com
DSP	dsp.ti.com
Clocks and Timers	www.ti.com/clocks
Interface	interface.ti.com
Logic	logic.ti.com
Power Mgmt	power.ti.com
Microcontrollers	microcontroller.ti.com
RFID	www.ti-rfid.com
OMAP Applications Processors	www.ti.com/omap
Wireless Connectivity	www.ti.com/wirelessconnectivity

Applications

Automotive and Transportation	www.ti.com/automotive
Communications and Telecom	www.ti.com/communications
Computers and Peripherals	www.ti.com/computers
Consumer Electronics	www.ti.com/consumer-apps
Energy and Lighting	www.ti.com/energy
Industrial	www.ti.com/industrial
Medical	www.ti.com/medical
Security	www.ti.com/security
Space, Avionics and Defense	www.ti.com/space-avionics-defense
Video and Imaging	www.ti.com/video

TI E2E Community

e2e.ti.com