

LM108AJAN Operational Amplifiers

Check for Samples: [LM108AJAN](#)

FEATURES

- Maximum Input Bias Current of 3.0 nA over Temperature
- Offset Current less than 400 pA over Temperature
- Supply Current of only 300 μ A, even in Saturation
- Ensured Drift Characteristics

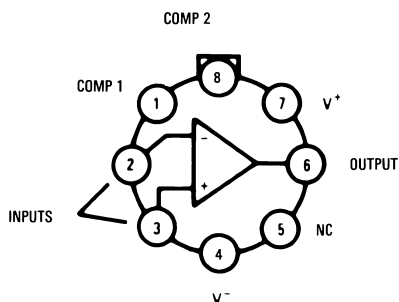
DESCRIPTION

The LM108 is a precision operational amplifier having specifications a factor of ten better than FET amplifiers over a -55°C to $+125^{\circ}\text{C}$ temperature range.

The devices operate with supply voltages from $\pm 2\text{V}$ to $\pm 20\text{V}$ and have sufficient supply rejection to use unregulated supplies. Although the circuit is interchangeable with, and uses the same compensation as the LM101A, an alternate compensation scheme can be used to make it particularly insensitive to power supply noise and to make supply bypass capacitors unnecessary.

The low current error of the LM108 makes possible many designs that are not practical with conventional amplifiers. In fact, it operates from $10\text{ M}\Omega$ source resistances, introducing less error than devices such as the 709 with $10\text{ k}\Omega$ sources. Integrators with drifts less than $500\text{ }\mu\text{V}/\text{sec}$ and analog time delays in excess of one hour can be made using capacitors no larger than $1\text{ }\mu\text{F}$.

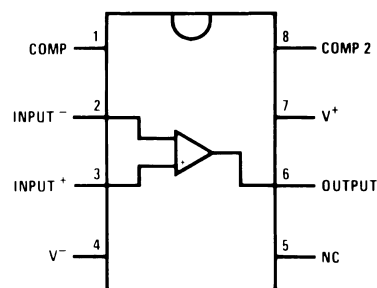
Connection Diagrams



*Package is connected to Pin 4 (V^-)

**Unused pin (no internal connection) to allow for input anti-leakage guard ring on printed circuit board layout.

**Figure 1. Metal Can Package - TO-99
Package Number LMC**



**Figure 2. Dual-In-Line Package (Top View)
CDIP - Package Number NAB**



Please be aware that an important notice concerning availability, standard warranty, and use in critical applications of Texas Instruments semiconductor products and disclaimers thereto appears at the end of this data sheet.

All trademarks are the property of their respective owners.

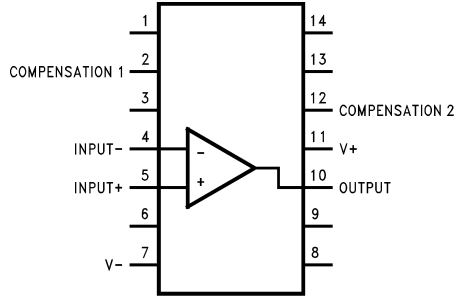


Figure 3. CDIP - Top View Package Number J

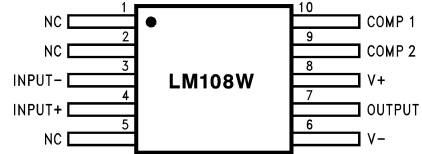
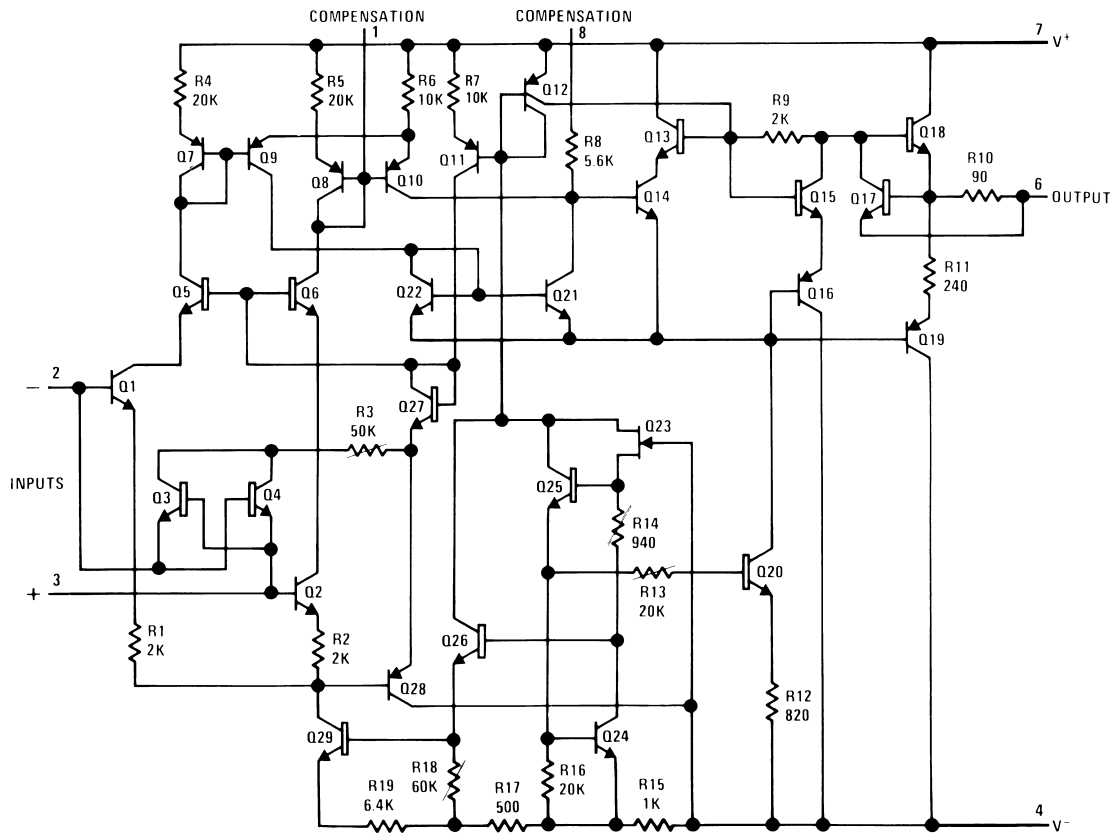
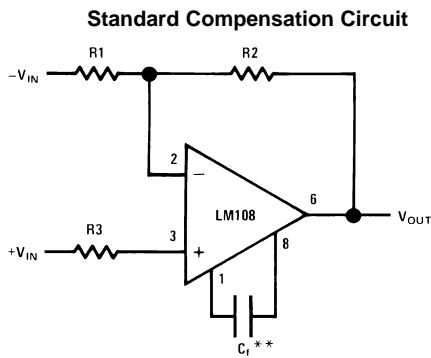


Figure 4. CLGA Top View Package Number NAC, NAD

Schematic Diagram



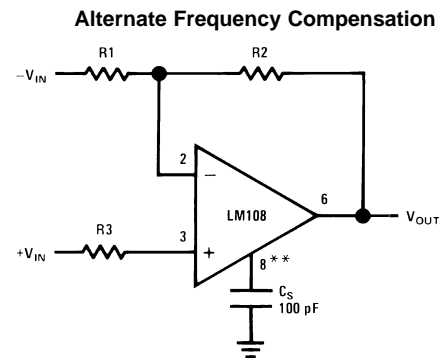
Compensation Circuits



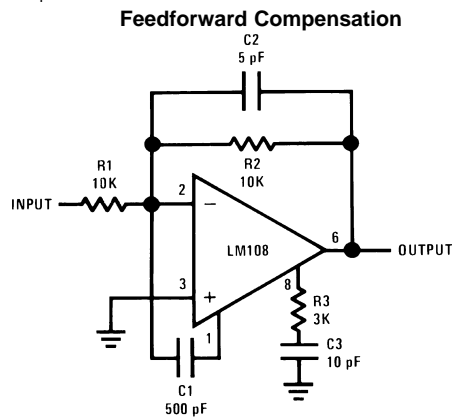
$$C_f \geq \frac{R1 C_o}{R1 + R2}$$

$$C_o = 30 \text{ pF}$$

**Bandwidth and slew rate are proportional to $1/C_f$



**Bandwidth and slew rate are proportional to $1/C_s$
Improves rejection of power supply noise by a factor of ten.



These devices have limited built-in ESD protection. The leads should be shorted together or the device placed in conductive foam during storage or handling to prevent electrostatic damage to the MOS gates.

Absolute Maximum Ratings⁽¹⁾

Supply Voltage		±22V	
Power Dissipation ⁽²⁾	TO-99 Metal Can 8LD	330mW @ +125°C	
	CDIP 14LD	400mW @ +125°C	
	CDIP 8LD	400mW @ +125°C	
	CLGA 10LD	330mW @ +125°C	
	Ceramic SOIC 10LD	330mW @ +125°C	
Differential Input Current ⁽³⁾		±10 mA	
Differential Input Voltage ⁽⁴⁾		±30V	
Input Voltage ⁽⁵⁾		±20V	
Output Short-Circuit Duration		Continuous	
Operating Temperature Range		-55°C ≤ T _A ≤ +125°C	
Storage Temperature Range		-65°C ≤ T _A ≤ +150°C	
Thermal Resistance	θ _{JA}	TO-99 Metal Can 8LD Still Air 500LF / Min Air Flow	150°C/W 86°C/W
		CDIP 14LD Still Air 500LF / Min Air Flow	94°C/W 55°C/W
		CDIP 8LD Still Air 500LF / Min Air Flow	120°C/W 68°C/W
		CPACK 10LD Still Air 500LF / Min Air Flow	225°C/W 142°C/W
		Ceramic SOIC 10LD Still Air 500LF / Min Air Flow	225°C/W 142°C/W
	θ _{JC}	TO-99 Metal Can 8LD	38°C/W
		CDIP 14LD	13°C/W
		CDIP 8LD	17°C/W
		CLGA 10LD	21°C/W
		Ceramic SOIC 10LD	21°C/W
Package Weight (typical)	TO-99 Metal Can 8LD	990mg	
	CDIP 14LD	2,180mg	
	CDIP 8LD	1,090mg	
	CLGA 10LD	225mg	
	Ceramic SOIC 10LD	210mg	
Maximum Junction Temperature		175°C	
Lead Temperature (Soldering, 10 sec)		300°C	
ESD Tolerance ⁽⁶⁾		2000V	

- (1) Absolute Maximum Ratings indicate limits beyond which damage to the device may occur. Operating Ratings indicate conditions for which the device is functional, but do not ensure specific performance limits. For ensured specifications and test conditions, see the Electrical Characteristics. The specified specifications apply only for the test conditions listed. Some performance characteristics may degrade when the device is not operated under the listed test conditions.
- (2) The maximum power dissipation must be derated at elevated temperatures and is dictated by T_{Jmax} (maximum junction temperature), θ_{JA} (package junction to ambient thermal resistance), and T_A (ambient temperature). The maximum allowable power dissipation at any temperature is P_{Dmax} = (T_{Jmax} - T_A) / θ_{JA} or the number given in the Absolute Maximum Ratings, whichever is lower.
- (3) The inputs are shunted with back-to-back diodes for over voltage protection. Therefore, excessive current will flow if a differential input voltage in excess of 1V is applied between the inputs unless some limiting resistance is used.
- (4) This rating is ±1.0V unless resistances of 2KΩ or greater are inserted in series with the inputs to limit current in the input shunt diodes to the maximum allowable value.
- (5) For supply voltages less than ±20V, the absolute maximum input voltage is equal to the supply voltage.
- (6) Human body model, 1.5 kΩ in series with 100 pF.

Table 1. Quality Conformance Inspection Mil-Std-883, Method 5005 - Group A

Subgroup	Description	Temp (°C)
1	Static tests at	+25°C
2	Static tests at	+125°C
3	Static tests at	-55°C
4	Dynamic tests at	+25°C
5	Dynamic tests at	+125°C
6	Dynamic tests at	-55°C
7	Functional tests at	+25°C
8A	Functional tests at	+125°C
8B	Functional tests at	-55°C
9	Switching tests at	+25°C
10	Switching tests at	+125°C
11	Switching tests at	-55°C

LM108A Electrical Characteristics DC Parameters

The following conditions apply to all the following parameters, unless otherwise specified.

DC: $+V_{CC} = +20V$, $-V_{CC} = -20V$, $V_{CM} = 0V$, $R_S = 50\Omega$

Symbol	Parameter	Conditions	Notes	Min	Max	Units	Sub-groups
V_{IO}	Input Offset Voltage	$+V_{CC} = 35V$, $-V_{CC} = -5V$, $V_{CM} = -15V$		-0.5	0.5	mV	1
				-1	1	mV	2, 3
		$+V_{CC} = 5V$, $-V_{CC} = -35V$, $V_{CM} = 15V$		-0.5	0.5	mV	1
				-1	1	mV	2, 3
		$+V_{CC} = +5V$, $-V_{CC} = -5V$		-0.5	0.5	mV	1
				-1	1	mV	2, 3
Delta V_{IO} / Delta T	Temperature Coefficient of Input Offset Voltage	$25^\circ C \leq T_A \leq +125^\circ C$	See ⁽¹⁾	-5	5	$\mu V/^\circ C$	2
		$25^\circ C \leq T_A \leq -55^\circ C$	See ⁽¹⁾	-5	5	$\mu V/^\circ C$	3
I_{IO}	Input Offset Current	$+V_{CC} = 35V$, $-V_{CC} = -5V$, $V_{CM} = -15V$		-0.2	0.2	nA	1
				-0.4	0.4	nA	2, 3
		$+V_{CC} = 5V$, $-V_{CC} = -35V$, $V_{CM} = 15V$		-0.2	0.2	nA	1
				-0.4	0.4	nA	2, 3
		$+V_{CC} = +5V$, $-V_{CC} = -5V$		-0.2	0.2	nA	1
				-0.4	0.4	nA	2, 3
Delta I_{IO} / Delta T	Temperature Coefficient of Input Offset Current	$25^\circ C \leq T_A \leq +125^\circ C$	See ⁽¹⁾	-2.5	2.5	$pA/^\circ C$	2
		$25^\circ C \leq T_A \leq -55^\circ C$	See ⁽¹⁾	-2.5	2.5	$pA/^\circ C$	3

(1) Calculated parameter

LM108A Electrical Characteristics DC Parameters (continued)

The following conditions apply to all the following parameters, unless otherwise specified.

DC: $+V_{CC} = +20V$, $-V_{CC} = -20V$, $V_{CM} = 0V$, $R_S = 50\Omega$

Symbol	Parameter	Conditions	Notes	Min	Max	Units	Sub-groups		
$\pm I_B$	Input Bias Current	$+V_{CC} = 35V$, $-V_{CC} = -5V$, $V_{CM} = -15V$		-0.1	2	nA	1		
				-1	2	nA	2		
				-0.1	3	nA	3		
		$+V_{CC} = 5V$, $-V_{CC} = -35V$, $V_{CM} = 15V$		-0.1	2	nA	1		
				-1	2	nA	2		
				-0.1	3	nA	3		
		$+V_{CC} = +5V$, $-V_{CC} = -5V$		-0.1	2	nA	1		
				-1	2	nA	2		
				-0.1	3	nA	3		
		+PSRR	Power Supply Rejection Ratio	$+V_{CC} = 10V$, $-V_{CC} = -20V$		-16	16	$\mu V/V$	1, 2, 3
		-PSRR	Power Supply Rejection Ratio	$+V_{CC} = 20V$, $-V_{CC} = -10V$		-16	16	$\mu V/V$	1, 2, 3
		CMRR	Common Mode Rejection Ratio	$V_{CM} = \pm 15V$		96		dB	1, 2, 3
$+I_{OS}$	Short Circuit Current	$+V_{CC} = +15V$, $-V_{CC} = -15V$, $t \leq 25mS$		-20		mA	1, 2, 3		
$-I_{OS}$	Short Circuit Current	$+V_{CC} = +15V$, $-V_{CC} = -15V$, $t \leq 25mS$			20	mA	1, 2, 3		
I_{CC}	Power Supply Current	$+V_{CC} = +15V$, $-V_{CC} = -15V$			0.6	mA	1, 2		
					0.8	mA	3		
$+V_{OP}$	Output Voltage Swing	$R_L = 10K\Omega$		16		V	4, 5, 6		
$-V_{OP}$	Output Voltage Swing	$R_L = 10K\Omega$			-16	V	4, 5, 6		
$+A_{VS}$	Open Loop Voltage Gain	$R_L = 10K\Omega$, $V_O = +15V$	See ⁽²⁾	80		V/mV	4		
			See ⁽²⁾	40		V/mV	5, 6		
$-A_{VS}$	Open Loop Voltage Gain	$R_L = 10K\Omega$, $V_O = -15V$	See ⁽²⁾	80		V/mV	4		
			See ⁽²⁾	40		V/mV	5, 6		
A_{VS}	Open Loop Voltage Gain	$+V_{CC} = \pm 5V$, $R_L = 10K\Omega$, $V_O = \pm 2V$	See ⁽²⁾	20		V/mV	4, 5, 6		

(2) Datalog reading in K = V/mV

LM108A Electrical Characteristics AC Parameters

The following conditions apply to all the following parameters, unless otherwise specified.

AC $+V_{CC} = +20V$, $-V_{CC} = -20V$, $V_{CM} = 0V$, $R_S = 50\Omega$

Symbol	Parameter	Conditions	Notes	Min	Max	Units	Sub-groups
TR _{TR}	Transient Response Rise Time	$R_L = 10K\Omega$, $C_L = 100pF$, $f < 1KHz$, $V_I = +50mV$			1000	nS	7, 8A, 8B
TR _{OS}	Transient Response Overshoot	$R_L = 10K\Omega$, $C_L = 100pF$, $f < 1KHz$, $V_I = +50mV$			50	%	7, 8A, 8B
+SR	Slew Rate	$A_V = 1$, $V_I = -5V$ to $+5V$		0.05		V/ μ S	7, 8A, 8B
-SR	Slew Rate	$A_V = 1$, $V_I = +5V$ to $-5V$		0.05		V/ μ S	7, 8A, 8B
NI _{BB}	Noise Broadband	$BW = 10Hz$ to $5KHz$, $R_S = 0\Omega$			15	μ Vrms	7
NI _{PC}	Noise Popcorn	$BW = 10Hz$ to $5KHz$, $R_S = 100K\Omega$			40	μ Vpk	7

LM108A Electrical Characteristics DC Parameters Drift Values

The following conditions apply to all the following parameters, unless otherwise specified.

DC $+V_{CC} = +20V$, $-V_{CC} = -20V$, $V_{CM} = 0V$, $R_S = 50\Omega$

Delta calculations performed on JAN S devices at group B, Subgroup 5 only.

Symbol	Parameter	Conditions	Notes	Min	Max	Units	Sub-groups
V _{IO}	Input Offset Voltage			-0.25	0.25	mV	1
$\pm I_B$	Input Bias Current			-0.5	0.5	nA	1

Typical Performance Characteristics

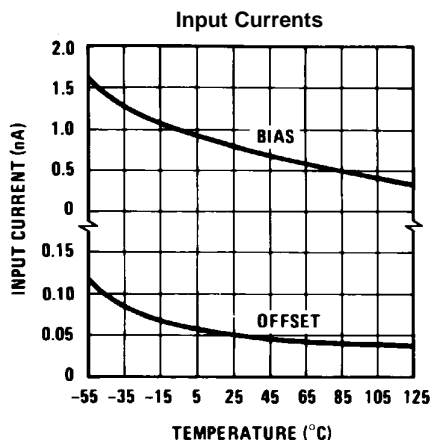


Figure 5.

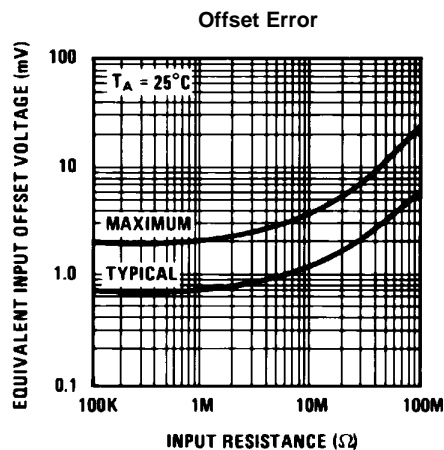


Figure 6.

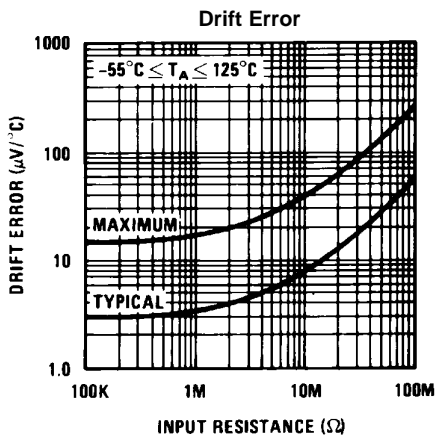


Figure 7.

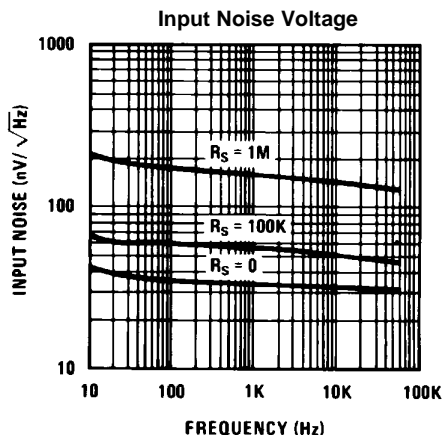


Figure 8.

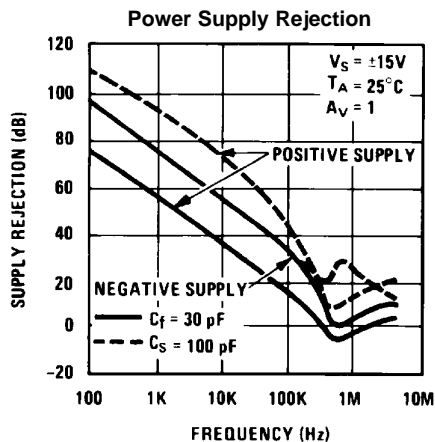


Figure 9.

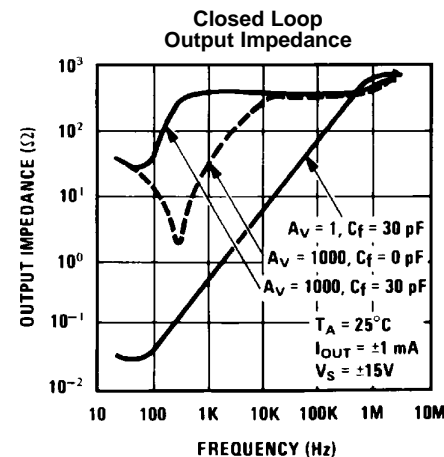


Figure 10.

Typical Performance Characteristics (continued)

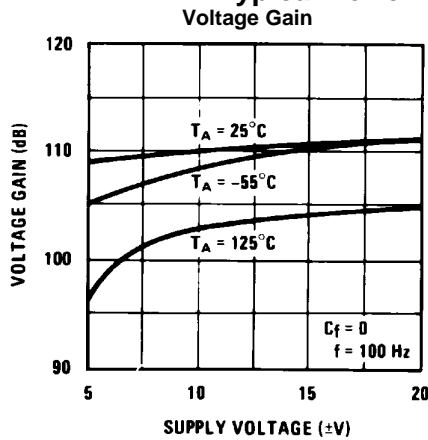


Figure 11.

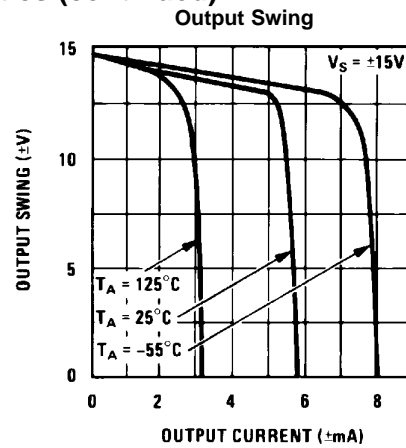


Figure 12.

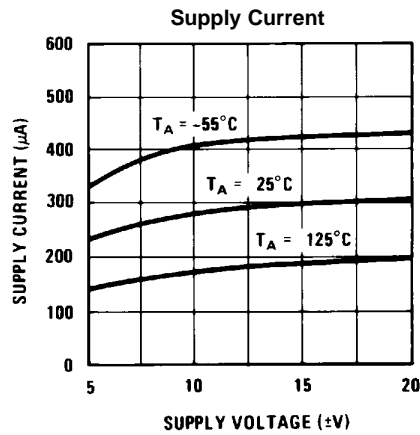


Figure 13.

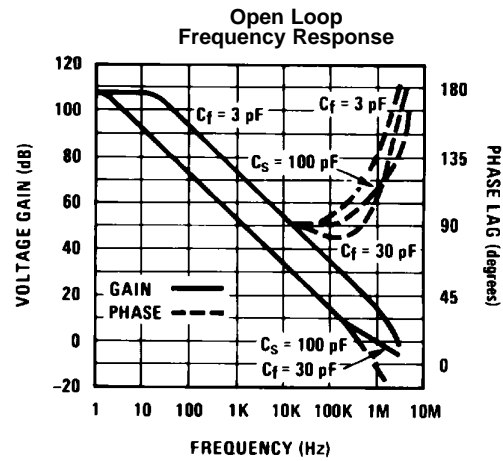


Figure 14.

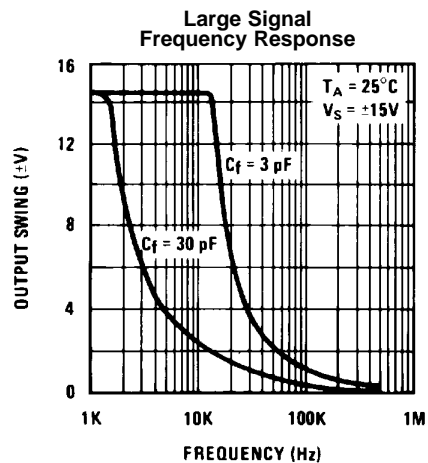


Figure 15.

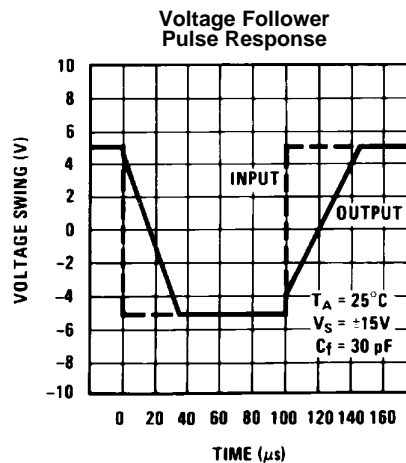
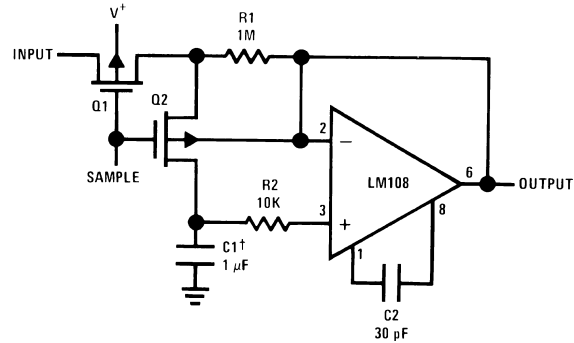


Figure 16.

Typical Applications



†Teflon polyethylene or polycarbonate dielectric capacitor
Worst case drift less than 2.5 mV/sec

Figure 17. Sample and Hold

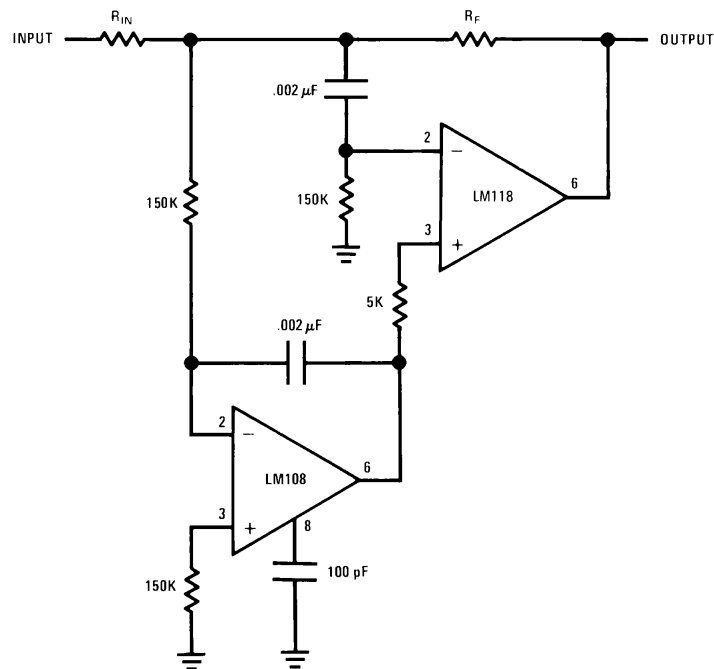
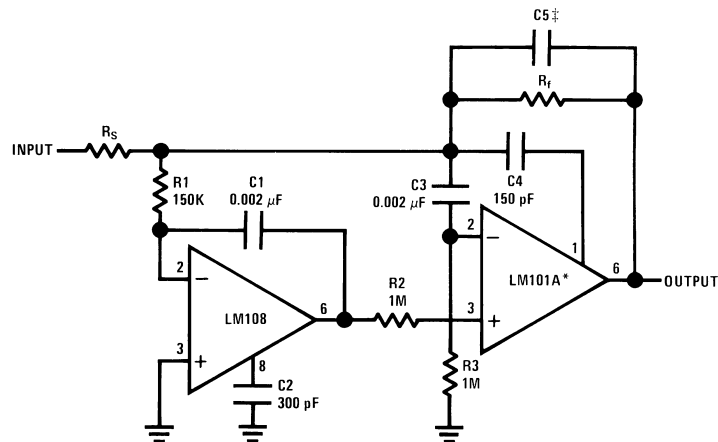


Figure 18. High Speed Amplifier with Low Drift and Low Input Current



$$C_5 = \frac{6 \times 10^{-8}}{R_f}$$

*In addition to increasing speed, the LM101A raises high and low frequency gain, increases output drive capability and eliminates thermal feedback.

Power Bandwidth: 250 KHz Small Signal Bandwidth: 3.5 MHz Slew Rate: 10V/\$\mu\$S

Figure 19. Fast Summing Amplifier

REVISION HISTORY

Date Released	Revision	Section	Changes
02/25/05	A	New release, corporate format	1 MDS data sheets converted into one Corp. datasheet format. MJLM108A-X Rev 2A0. MDS will be archived.
01/05/06	B	DC Electrical's	All temps. +Ios from -15 mA Min to -20 mA Min and -Ios from +15 mA Max to +20 mA Max
09/24/10	C	Obsolete Data Sheet	Revision C, End of Life on Product/NSID Dec. 2008/09 Obsolete Data Sheet

Changes from Revision B (April 2013) to Revision C

Page

-
- Changed layout of National Data Sheet to TI format 11
-

IMPORTANT NOTICE

Texas Instruments Incorporated and its subsidiaries (TI) reserve the right to make corrections, enhancements, improvements and other changes to its semiconductor products and services per JESD46, latest issue, and to discontinue any product or service per JESD48, latest issue. Buyers should obtain the latest relevant information before placing orders and should verify that such information is current and complete. All semiconductor products (also referred to herein as "components") are sold subject to TI's terms and conditions of sale supplied at the time of order acknowledgment.

TI warrants performance of its components to the specifications applicable at the time of sale, in accordance with the warranty in TI's terms and conditions of sale of semiconductor products. Testing and other quality control techniques are used to the extent TI deems necessary to support this warranty. Except where mandated by applicable law, testing of all parameters of each component is not necessarily performed.

TI assumes no liability for applications assistance or the design of Buyers' products. Buyers are responsible for their products and applications using TI components. To minimize the risks associated with Buyers' products and applications, Buyers should provide adequate design and operating safeguards.

TI does not warrant or represent that any license, either express or implied, is granted under any patent right, copyright, mask work right, or other intellectual property right relating to any combination, machine, or process in which TI components or services are used. Information published by TI regarding third-party products or services does not constitute a license to use such products or services or a warranty or endorsement thereof. Use of such information may require a license from a third party under the patents or other intellectual property of the third party, or a license from TI under the patents or other intellectual property of TI.

Reproduction of significant portions of TI information in TI data books or data sheets is permissible only if reproduction is without alteration and is accompanied by all associated warranties, conditions, limitations, and notices. TI is not responsible or liable for such altered documentation. Information of third parties may be subject to additional restrictions.

Resale of TI components or services with statements different from or beyond the parameters stated by TI for that component or service voids all express and any implied warranties for the associated TI component or service and is an unfair and deceptive business practice. TI is not responsible or liable for any such statements.

Buyer acknowledges and agrees that it is solely responsible for compliance with all legal, regulatory and safety-related requirements concerning its products, and any use of TI components in its applications, notwithstanding any applications-related information or support that may be provided by TI. Buyer represents and agrees that it has all the necessary expertise to create and implement safeguards which anticipate dangerous consequences of failures, monitor failures and their consequences, lessen the likelihood of failures that might cause harm and take appropriate remedial actions. Buyer will fully indemnify TI and its representatives against any damages arising out of the use of any TI components in safety-critical applications.

In some cases, TI components may be promoted specifically to facilitate safety-related applications. With such components, TI's goal is to help enable customers to design and create their own end-product solutions that meet applicable functional safety standards and requirements. Nonetheless, such components are subject to these terms.

No TI components are authorized for use in FDA Class III (or similar life-critical medical equipment) unless authorized officers of the parties have executed a special agreement specifically governing such use.

Only those TI components which TI has specifically designated as military grade or "enhanced plastic" are designed and intended for use in military/aerospace applications or environments. Buyer acknowledges and agrees that any military or aerospace use of TI components which have **not** been so designated is solely at the Buyer's risk, and that Buyer is solely responsible for compliance with all legal and regulatory requirements in connection with such use.

TI has specifically designated certain components as meeting ISO/TS16949 requirements, mainly for automotive use. In any case of use of non-designated products, TI will not be responsible for any failure to meet ISO/TS16949.

Products

Audio	www.ti.com/audio
Amplifiers	amplifier.ti.com
Data Converters	dataconverter.ti.com
DLP® Products	www.dlp.com
DSP	dsp.ti.com
Clocks and Timers	www.ti.com/clocks
Interface	interface.ti.com
Logic	logic.ti.com
Power Mgmt	power.ti.com
Microcontrollers	microcontroller.ti.com
RFID	www.ti-rfid.com
OMAP Applications Processors	www.ti.com/omap
Wireless Connectivity	www.ti.com/wirelessconnectivity

Applications

Automotive and Transportation	www.ti.com/automotive
Communications and Telecom	www.ti.com/communications
Computers and Peripherals	www.ti.com/computers
Consumer Electronics	www.ti.com/consumer-apps
Energy and Lighting	www.ti.com/energy
Industrial	www.ti.com/industrial
Medical	www.ti.com/medical
Security	www.ti.com/security
Space, Avionics and Defense	www.ti.com/space-avionics-defense
Video and Imaging	www.ti.com/video

TI E2E Community

e2e.ti.com