

LM107QML Operational Amplifier

Check for Samples: [LM107QML](#)

FEATURES

- **Offset Voltage 3 mV Maximum over Temperature**
- **Input Current 100 nA Maximum over Temperature**
- **Offset Current 20 nA Maximum over Temperature**

DESCRIPTION

The LM107 is a complete, general purpose operational amplifier, with the necessary frequency compensation built into the chip. Advanced processing techniques make the input currents a factor of ten lower than industry standards such as the 709. Yet, they are a direct, plug-in replacement for the 709, LM101A and 741. The LM107 offers the features of the LM101A, which makes its application nearly foolproof. In addition, the device provides better accuracy and lower noise in high impedance circuitry. The low input currents also make it particularly well suited for long interval integrators or timers, sample and hold circuits and low frequency waveform generators. Further, replacing circuits where matched transistor pairs buffer the inputs of conventional IC op amps, it can give lower offset voltage and drift at a lower cost.

Connection Diagram

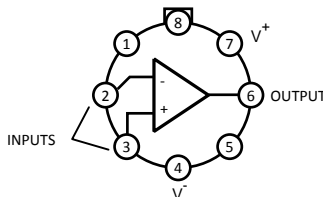


Figure 1. Metal Can Package (Top View)
See Package Number H08C

Note: Pin 4 connected to case.

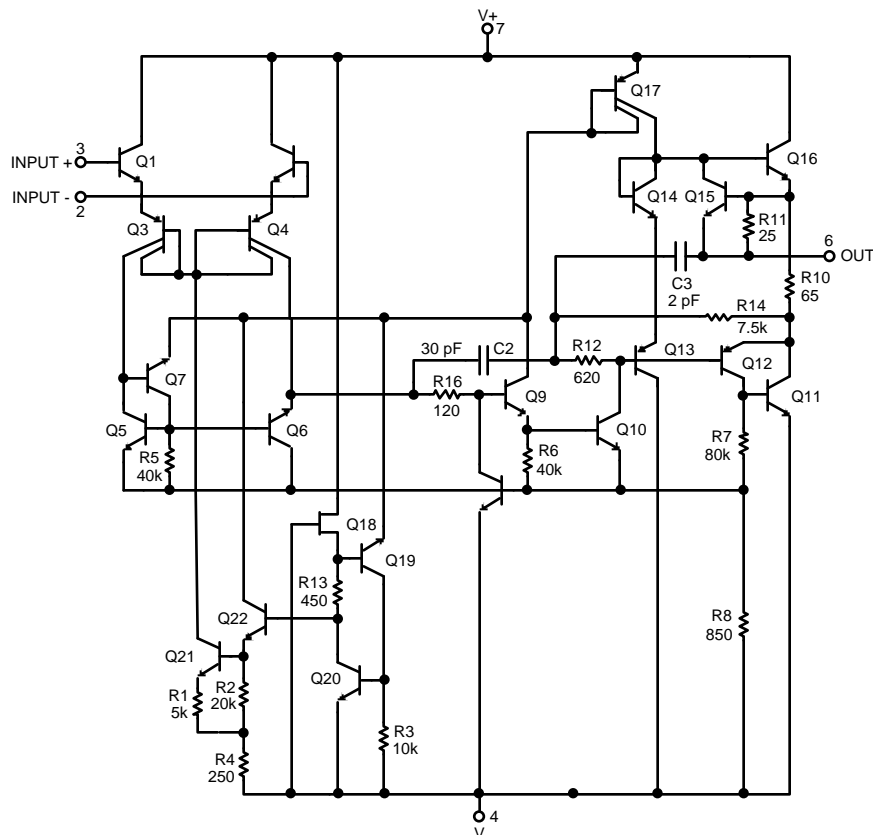


Please be aware that an important notice concerning availability, standard warranty, and use in critical applications of Texas Instruments semiconductor products and disclaimers thereto appears at the end of this data sheet.

All trademarks are the property of their respective owners.

Schematic Diagram

(Pin connections shown are for metal can.)



Note: For Performance Characteristics or Typical Applications graphs, Refer to Commercial Data Sheet.



These devices have limited built-in ESD protection. The leads should be shorted together or the device placed in conductive foam during storage or handling to prevent electrostatic damage to the MOS gates.

Absolute Maximum Ratings⁽¹⁾

Supply Voltage	±22V
Power Dissipation ⁽²⁾⁽³⁾	500 mW
Differential Input Voltage	±30V
Input Voltage ⁽³⁾	±15V
Output Short Circuit Duration	Continuous
Operating Temperature Range (T _A)	-55°C ≤ T _A ≤ +125°C
Storage Temperature Range	-65°C ≤ T _A ≤ +150°C
Lead Temperature (Soldering, 10 seconds)	260°C
ESD Tolerance ⁽⁴⁾	1000V

- (1) Absolute Maximum Ratings indicate limits beyond which damage to the device may occur. Operating Ratings indicate conditions for which the device is functional, but do not ensure specific performance limits. For ensured specifications and test conditions, see the Electrical Characteristics. The specified specifications apply only for the test conditions listed. Some performance characteristics may degrade when the device is not operated under the listed test conditions.
- (2) The maximum power dissipation must be derated at elevated temperatures and is dictated by T_{Jmax} (maximum junction temperature), θ_{JA} (package junction to ambient thermal resistance), and T_A (ambient temperature). The maximum allowable power dissipation at any temperature is P_{Dmax} = (T_{Jmax} - T_A)/θ_{JA} or the number given in the Absolute Maximum Ratings, whichever is lower.
- (3) For supply voltages less than ±15V, the absolute maximum input voltage is equal to the supply voltage.
- (4) Human body model, 1.5 KΩ in series with 100 pF.

Quality Conformance Inspection

MIL-STD-883, Method 5005 - Group A

Subgroup	Description	Temp (°C)
1	Static tests at	+25
2	Static tests at	+125
3	Static tests at	-55
4	Dynamic tests at	+25
5	Dynamic tests at	+125
6	Dynamic tests at	-55
7	Functional tests at	+25
8A	Functional tests at	+125
8B	Functional tests at	-55
9	Switching tests at	+25
10	Switching tests at	+125
11	Switching tests at	- 55

LM107 Electrical Characteristics DC Parameters

The following conditions apply, unless otherwise specified. $V_{CC} = \pm 20V$, $V_{CM} = 0V$, $R_S = 50\Omega$

Symbol	Parameter	Conditions	Notes	Min	Max	Unit	Sub-groups
V_{IO}	Input Offset Voltage	$V_{CM} = \pm 15V$		-2	2	mV	1
				-3	3	mV	2, 3
				-2	2	mV	1
		$V_{CC} = \pm 5V$		-3	3	mV	2, 3
				-2	2	mV	1
				-3	3	mV	2, 3
I_{IO}	Input Offset Current	$V_{CM} = \pm 15V$		-10	10	nA	1
				-20	20	nA	2, 3
				-10	10	nA	1
		$V_{CC} = \pm 5V$		-20	20	nA	2, 3
				-10	10	nA	1
				-20	20	nA	2, 3
$\pm I_B$	Input Bias Current	$V_{CM} = \pm 15V$		1	75	nA	1
				1	100	nA	2, 3
				1	75	nA	1
		$V_{CC} = \pm 5V$		1	100	nA	2, 3
				1	75	nA	1
				1	100	nA	2, 3
I_{CC}	Supply Current				3	mA	1
					2.5	mA	2
					3.5	mA	3
$-I_{OS}$	Short Circuit Current			7	45	mA	1
				5	45	mA	2
				7	50	mA	3
$+I_{OS}$	Short Circuit Current			-45	-7	mA	1
				-45	-5	mA	2
				-50	-7	mA	3
$+PSRR$	Supply Voltage Rejection Ratio	$+V_{CC} = 20V$ to $5V$, $-V_{CC} = -20V$		80		dB	1, 2, 3

LM107 Electrical Characteristics DC Parameters (continued)

The following conditions apply, unless otherwise specified. $V_{CC} = \pm 20V$, $V_{CM} = 0V$, $R_S = 50\Omega$

Symbol	Parameter	Conditions	Notes	Min	Max	Unit	Sub-groups
-PSRR	Supply Voltage Rejection Ratio	$-V_{CC} = -20V$ to $-5V$, $+V_{CC} = 20V$		80		dB	1, 2, 3
CMRR	Common Mode rejection Ratio	$-15V \leq V_{CM} \leq +15V$		80		dB	1, 2, 3
R_{IN}	Input Resistance			1.5		M Ω	1
V_{IR}	Input Voltage Range		See ⁽¹⁾	-15	+15	V	1, 2, 3
- A_{VS}	Large Signal Voltage Gain	$V_{CC} = \pm 15V$, $V_{OUT} = 0$ to $-12V$, $R_L = 10K\Omega$		50		V/mV	4
		$V_{CC} = \pm 15V$, $V_{OUT} = 0$ to $-12V$, $R_L = 10K\Omega$		25		V/mV	5, 6
		$V_{CC} = \pm 15V$, $V_{OUT} = 0$ to $-10V$, $R_L = 2K\Omega$		50		V/mV	4
		$V_{CC} = \pm 15V$, $V_{OUT} = 0$ to $-10V$, $R_L = 2K\Omega$		25		V/mV	5, 6
+ A_{VS}	Large Signal Voltage Gain	$V_{CC} = \pm 15V$, $V_{OUT} = 0$ to $12V$, $R_L = 10K\Omega$		50		V/mV	4
		$V_{CC} = \pm 15V$, $V_{OUT} = 0$ to $12V$, $R_L = 10K\Omega$		25		V/mV	5, 6
		$V_{CC} = \pm 15V$, $V_{OUT} = 0$ to $10V$, $R_L = 2K\Omega$		50		V/mV	4
		$V_{CC} = \pm 15V$, $V_{OUT} = 0$ to $10V$, $R_L = 2K\Omega$		25		V/mV	5, 6
+ V_{OP}	Output Voltage Swing	$V_{CC} = \pm 15V$, $R_L = 10K\Omega$		12		V	4, 5, 6
		$V_{CC} = \pm 15V$, $R_L = 2K\Omega$		10		V	4, 5, 6
		$R_L = 10K\Omega$		16		V	4, 5, 6
		$R_L = 2K\Omega$		15		V	4, 5, 6
- V_{OP}	Output Voltage Swing	$V_{CC} = \pm 15V$, $R_L = 10K\Omega$			-12	V	4, 5, 6
		$V_{CC} = \pm 15V$, $R_L = 2K\Omega$			-10	V	4, 5, 6
		$R_L = 10K\Omega$			-16	V	4, 5, 6
		$R_L = 2K\Omega$			-15	V	4, 5, 6

(1) Ensured by CMRR.

LM107 Electrical Characteristics AC Parameters

The following conditions apply, unless otherwise specified. $V_{CC} = \pm 20V$, $V_{CM} = 0V$, $R_S = 50K\Omega$

Symbol	Parameter	Conditions	Notes	Min	Max	Unit	Sub-groups
+ S_R	Slew Rate	$V_{IN} = -5V$ to $+5V$, $A_V = 1$, $R_L = 2K\Omega$		0.2		V/ μ S	7
- S_R	Slew Rate	$V_{IN} = +5V$ to $-5V$, $A_V = 1$, $R_L = 2K\Omega$		0.2		V/ μ S	7
GBW	Gain Bandwidth	$V_{IN} = 50mV_{RMS}$, $f = 20K_{HZ}$, $R_L = 2K\Omega$		250		K $_{HZ}$	7

REVISION HISTORY

Date Released	Revision	Section	Originator	Changes
05/09/05	A	New Release, Corporate format	R. Malone	New Release, Corporate format. 1 MDS data sheet converted into a Corp. data sheet format. Following MDS data sheets will be Archived MNLM107-X, Rev. 0CL
	B	Obsolete Data Sheet	Cullum	End Of Life on Product/NSID Dec. 2005

Changes from Revision A (April 2013) to Revision B
Page

- Changed layout of National Data Sheet to TI format **4**

IMPORTANT NOTICE

Texas Instruments Incorporated and its subsidiaries (TI) reserve the right to make corrections, enhancements, improvements and other changes to its semiconductor products and services per JESD46, latest issue, and to discontinue any product or service per JESD48, latest issue. Buyers should obtain the latest relevant information before placing orders and should verify that such information is current and complete. All semiconductor products (also referred to herein as "components") are sold subject to TI's terms and conditions of sale supplied at the time of order acknowledgment.

TI warrants performance of its components to the specifications applicable at the time of sale, in accordance with the warranty in TI's terms and conditions of sale of semiconductor products. Testing and other quality control techniques are used to the extent TI deems necessary to support this warranty. Except where mandated by applicable law, testing of all parameters of each component is not necessarily performed.

TI assumes no liability for applications assistance or the design of Buyers' products. Buyers are responsible for their products and applications using TI components. To minimize the risks associated with Buyers' products and applications, Buyers should provide adequate design and operating safeguards.

TI does not warrant or represent that any license, either express or implied, is granted under any patent right, copyright, mask work right, or other intellectual property right relating to any combination, machine, or process in which TI components or services are used. Information published by TI regarding third-party products or services does not constitute a license to use such products or services or a warranty or endorsement thereof. Use of such information may require a license from a third party under the patents or other intellectual property of the third party, or a license from TI under the patents or other intellectual property of TI.

Reproduction of significant portions of TI information in TI data books or data sheets is permissible only if reproduction is without alteration and is accompanied by all associated warranties, conditions, limitations, and notices. TI is not responsible or liable for such altered documentation. Information of third parties may be subject to additional restrictions.

Resale of TI components or services with statements different from or beyond the parameters stated by TI for that component or service voids all express and any implied warranties for the associated TI component or service and is an unfair and deceptive business practice. TI is not responsible or liable for any such statements.

Buyer acknowledges and agrees that it is solely responsible for compliance with all legal, regulatory and safety-related requirements concerning its products, and any use of TI components in its applications, notwithstanding any applications-related information or support that may be provided by TI. Buyer represents and agrees that it has all the necessary expertise to create and implement safeguards which anticipate dangerous consequences of failures, monitor failures and their consequences, lessen the likelihood of failures that might cause harm and take appropriate remedial actions. Buyer will fully indemnify TI and its representatives against any damages arising out of the use of any TI components in safety-critical applications.

In some cases, TI components may be promoted specifically to facilitate safety-related applications. With such components, TI's goal is to help enable customers to design and create their own end-product solutions that meet applicable functional safety standards and requirements. Nonetheless, such components are subject to these terms.

No TI components are authorized for use in FDA Class III (or similar life-critical medical equipment) unless authorized officers of the parties have executed a special agreement specifically governing such use.

Only those TI components which TI has specifically designated as military grade or "enhanced plastic" are designed and intended for use in military/aerospace applications or environments. Buyer acknowledges and agrees that any military or aerospace use of TI components which have **not** been so designated is solely at the Buyer's risk, and that Buyer is solely responsible for compliance with all legal and regulatory requirements in connection with such use.

TI has specifically designated certain components as meeting ISO/TS16949 requirements, mainly for automotive use. In any case of use of non-designated products, TI will not be responsible for any failure to meet ISO/TS16949.

Products

Audio	www.ti.com/audio
Amplifiers	amplifier.ti.com
Data Converters	dataconverter.ti.com
DLP® Products	www.dlp.com
DSP	dsp.ti.com
Clocks and Timers	www.ti.com/clocks
Interface	interface.ti.com
Logic	logic.ti.com
Power Mgmt	power.ti.com
Microcontrollers	microcontroller.ti.com
RFID	www.ti-rfid.com
OMAP Applications Processors	www.ti.com/omap
Wireless Connectivity	www.ti.com/wirelessconnectivity

Applications

Automotive and Transportation	www.ti.com/automotive
Communications and Telecom	www.ti.com/communications
Computers and Peripherals	www.ti.com/computers
Consumer Electronics	www.ti.com/consumer-apps
Energy and Lighting	www.ti.com/energy
Industrial	www.ti.com/industrial
Medical	www.ti.com/medical
Security	www.ti.com/security
Space, Avionics and Defense	www.ti.com/space-avionics-defense
Video and Imaging	www.ti.com/video

TI E2E Community

e2e.ti.com