

# TP5089

*TP5089 DTMF (TOUCH-TONE) Generator*



Literature Number: SNOSBC6A

## TP5089 DTMF (TOUCH-TONE) Generator

### General Description

The TP5089 is a low threshold voltage, field-implemented, metal gate CMOS integrated circuit. It interfaces directly to a standard telephone keypad and generates all dual tone multi-frequency pairs required in tone-dialing systems. The tone synthesizers are locked to an on-chip reference oscillator using an inexpensive 3.579545 MHz crystal for high tone accuracy. The crystal and an output load resistor are the only external components required for tone generation. A  $\overline{\text{MUTE}} \text{ OUT}$  logic signal, which changes state when any key is depressed, is also provided.

### Features

- 3.5V–10V operation when generating tones
- 2V operation of keyscan and  $\overline{\text{MUTE}}$  logic
- Static sensing of key closures or logic inputs
- On-chip 3.579545 MHz crystal-controlled oscillator
- Output amplitudes proportional to supply voltage
- High group pre-emphasis
- Low harmonic distortion
- Open emitter-follower low-impedance output
- $\overline{\text{SINGLE TONE INHIBIT}}$  pin

### Block Diagram

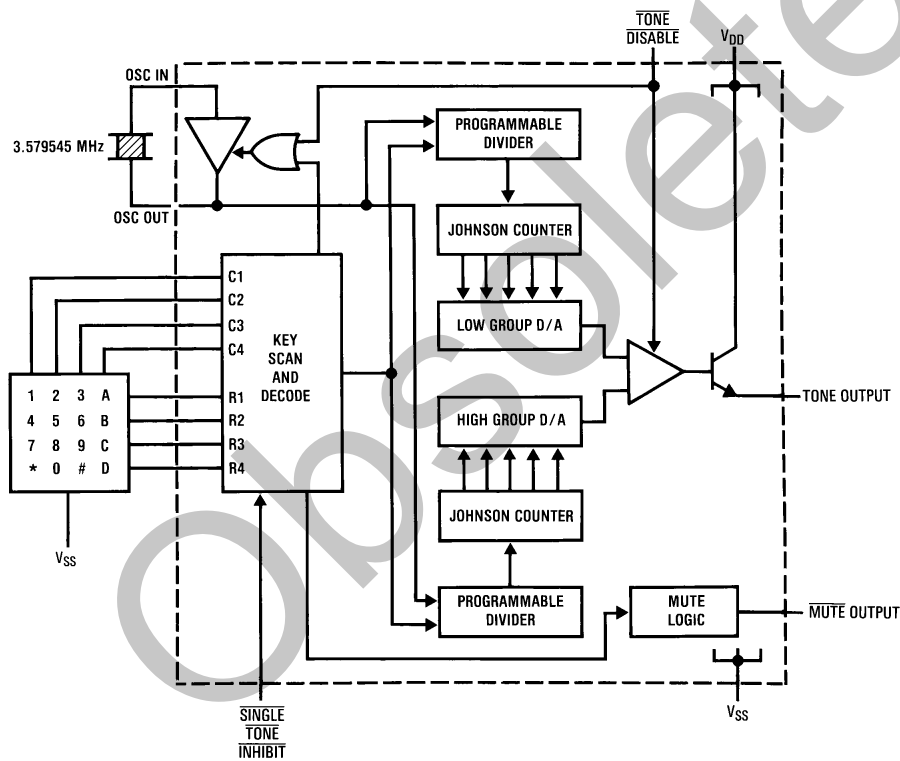


FIGURE 1

TL/H/5057-1

## Absolute Maximum Ratings

If Military/Aerospace specified devices are required, please contact the National Semiconductor Sales Office/Distributors for availability and specifications.

Supply Voltage ( $V_{DD} - V_{SS}$ ) 15V  
 Maximum Voltage at Any Pin  $V_{DD} + 0.3V$  to  $V_{SS} - 0.3V$

Operating Temperature  $-30^{\circ}C$  to  $+60^{\circ}C$   
 Storage Temperature  $-55^{\circ}C$  to  $+150^{\circ}C$   
 Maximum Power Dissipation 500 mW

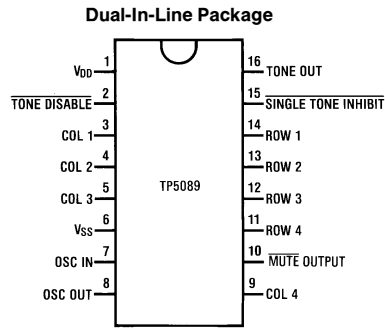
**Electrical Characteristics** Unless otherwise noted, limits printed in **BOLD** characters are guaranteed for  $V_{DD} = 3.5V$  to  $10V$ ,  $T_A = 0^{\circ}C$  to  $+60^{\circ}C$  by correlation with 100% electrical testing at  $T_A = 25^{\circ}C$ . All other limits are assured by correlation with other production tests and/or product design and characterization.

Parameter	Conditions	Min	Typ	Max	Units
Minimum Supply Voltage for Keysense and MUTE Logic Functions		2			V
Minimum Operating Voltage for generating tones		<b>3.5</b>			V
Operating Current Idle Generating Tones	Mute open $R_L = \infty$ $V_{DD} = 3.5V$		2 1.1	<b>25</b> <b>2.5</b>	$\mu A$ mA
Input Resistors COLUMN and ROW (Pull-Up) SINGLE TONE INHIBIT (Pull-Down) TONE DISABLE (Pull-Up)		25 120	50		k $\Omega$ k $\Omega$
Input Low Level				<b>0.2 <math>V_{DD}</math></b>	V
Input High Level		<b>0.8 <math>V_{DD}</math></b>			V
MUTE OUT Sink Current (COLUMN and ROW Active)	$V_{DD} = 3.5V$ $V_o = 0.5V$	<b>0.4</b>			mA
MUTE Out Leakage Current	$V_o = V_{DD}$		1		$\mu A$
Output Amplitude Low Group	$R_L = 240\ \Omega$ $V_{DD} = 3.5V$	<b>190</b>	250	<b>340</b>	mVrms
	$R_L = 240\ \Omega$ $V_{DD} = 10V$	<b>510</b>	700	<b>880</b>	mVrms
Output Amplitude High Group	$R_L = 240\ \Omega$ $V_{DD} = 3.5V$	<b>270</b>	340	<b>470</b>	mVrms
	$R_L = 240\ \Omega$ $V_{DD} = 10V$	<b>735</b>	955	<b>1265</b>	mVrms
Mean Output DC Offset	$V_{DD} = 3.5V$ $V_{DD} = 10V$		1.3 4.6		V V
High Group Pre-Emphasis		<b>2.2</b>	2.7	<b>3.2</b>	dB
Dual Tone/Total Harmonic Distortion Ratio	$V_{DD} = 4V$ , $R_L = 240\ \Omega$ 1 MHz Bandwidth		-23	<b>-22</b>	dB
Start-Up Time (to 90% Amplitude)			3	5	mS

**Note 1:**  $R_L$  is the external load resistor connected from TONE OUT to  $V_{SS}$ .

**Note 2:** Crystal specification: Parallel resonant 3.579545 MHz,  $R_S \leq 150\ \Omega$ ,  $L = 100\ mH$ ,  $C_0 = 5\ pF$ ,  $C_1 = 0.02\ pF$ .

## Connection Diagram



TL/H/5057-2

Top View

Order Number TP5089N  
See NS Package N16A

## Pin Descriptions

Symbol	Description
$V_{DD}$	This is the positive voltage supply to the device, referenced to $V_{SS}$ . The collector of the TONE OUT transistor is connected to this pin.
$V_{SS}$	This is the negative voltage supply. All voltages are referenced to this pin.
OSC IN, OSC OUT	All tone generation timing is derived from the on-chip oscillator circuit. A low cost 3.579545 MHz A-cut crystal (NTSC TV color-burst) is needed between pins 7 and 8. Load capacitors and a feedback resistor are included on-chip for good start-up and stability. The oscillator stops when column inputs are sensed with no valid input having been detected. The oscillator is also stopped when the TONE DISABLE input is pulled to logic low.
Row and Column Inputs	When no key is pushed, pull-up resistors are active on row and column inputs. A key closure is recognized when a single row and a single column are connected to $V_{SS}$ , which starts the oscillator and initiates tone generation. Negative-true logic signals simulating key closures can also be used.
TONE DISABLE Input	The TONE DISABLE input has an internal pull-up resistor. When this input is open or at logic high, the normal tone output mode will occur. When TONE DISABLE input is at logic low, the device will be in the inactive mode, TONE OUT will be at an open circuit state.

## Symbol

MUTE Output

SINGLE TONE INHIBIT Input

TONE OUT

## Description

The MUTE output is an open-drain N-channel device that sinks current to  $V_{SS}$  with any key input and is open when no key input is sensed. The MUTE output will switch regardless of the state of the SINGLE TONE INHIBIT input.

The SINGLE TONE INHIBIT input is used to inhibit the generation of other than valid tone pairs due to multiple row-column closures. It has a pull-down resistor to  $V_{SS}$ , and when left open or tied to  $V_{SS}$  any input condition that would normally result in a single tone will now result in no tone, with all other functions operating normally. When tied to  $V_{DD}$ , single or dual tones may be generated, see Table II.

This output is the open emitter of an NPN transistor, the collector of which is connected to  $V_{DD}$ . When an external load resistor is connected from TONE OUT to  $V_{SS}$ , the output voltage on this pin is the sum of the high and low group sine-waves superimposed on a DC offset. When not generating tones, this output transistor is turned OFF to minimize the device idle current.

Adjustment of the emitter load resistor results in variation of the mean DC current during tone generation, the sinewave signal current through the output transistor, and the output distortion. Increasing values of load resistance decrease both the signal current and distortion.

## Functional Description

With no key inputs to the device the oscillator is inhibited, the output transistor is pulled OFF and device current consumption is reduced to a minimum. Key closures are sensed statically. Any key closure activates the MUTE output, starts the oscillator and sets the high group and low group programmable counters to the appropriate divide ratio. These counters sequence two ratioed-capacitor D/A converters through a series of 28 equal duration steps per sine-wave cycle. The two tones are summed by a mixer amplifier, with pre-emphasis applied to the high group tone. The output is an NPN emitter-follower requiring the addition of an external load resistor to  $V_{SS}$ . This resistor facilitates adjustment of the signal current flowing from  $V_{DD}$  through the output transistor.

The amplitude of the output tones is directly proportional to the device supply voltage.

## Functional Description (Continued)

**TABLE I. Output Frequency Accuracy**

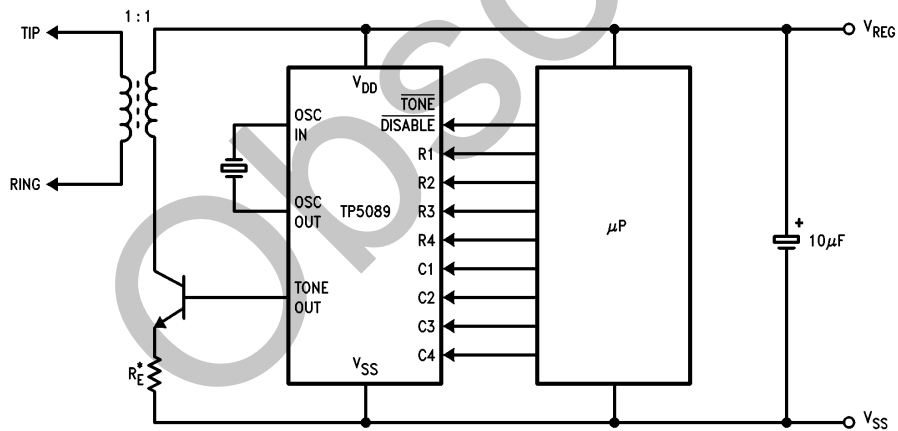
Tone Group	Valid Input	Standard DTMF (Hz)	Tone Output Frequency	% Deviation from Standard
Low Group $f_L$	R1	697	694.8	-0.32
	R2	770	770.1	+0.02
	R3	852	852.4	+0.03
	R4	941	940.0	-0.11
High Group $f_H$	C1	1209	1206.0	-0.24
	C2	1336	1331.7	-0.32
	C3	1477	1486.5	+0.64
	C4	1633	1639.0	+0.37

**TABLE II. Functional Truth Table**

SINGLE TONE INHIBIT	TONE DISABLE	ROW	COLUMN	TONE OUT		MUTE
				Low	High	
X	0	O/C	O/C	0V	0V	O/C
X	X	O/C	O/C	0V	0V	O/C
X	0	One	One	$V_{OS}$	$V_{OS}$	0
X	1	One	One	$f_L$	$f_H$	0
1	1	2 or More	One	—	$f_H$	0
1	1	One	2 or More	$f_L$	—	0
1	1	2 or More	2 or More	$V_{OS}$	$V_{OS}$	0
0	1	2 or More	One	$V_{OS}$	$V_{OS}$	0
0	1	One	2 or More	$V_{OS}$	$V_{OS}$	0
0	1	2 or More	2 or More	$V_{OS}$	$V_{OS}$	0

**Note 1:** X is don't care state.

**Note 2:**  $V_{OS}$  is the output offset voltage.



\*Adjust  $R_E$  for desired tone amplitude.

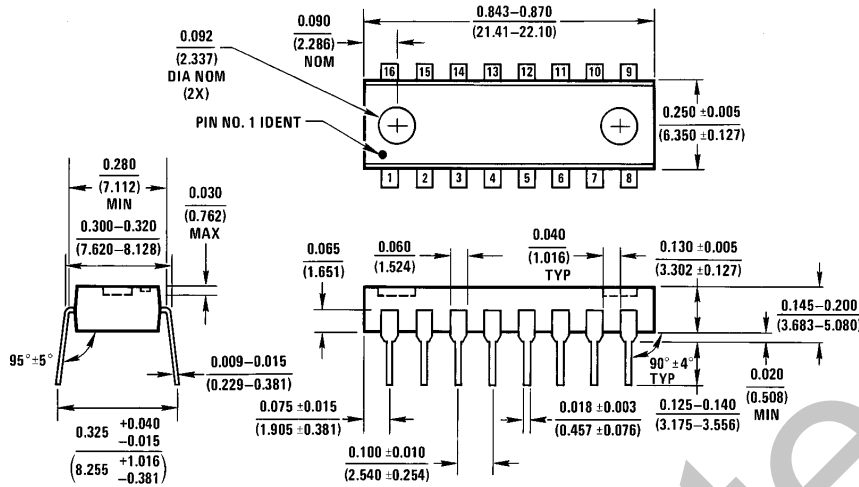
**FIGURE 2. Typical Application**

TL/H/5057-3

Obsolete

**Physical Dimensions** inches (millimeters)

Lit. # 113986



**Molded Dual-In-Line Package (N)**  
**Order Number TP5089N**  
**NS Package N16A**

N16A (REV E)

**LIFE SUPPORT POLICY**

NATIONAL'S PRODUCTS ARE NOT AUTHORIZED FOR USE AS CRITICAL COMPONENTS IN LIFE SUPPORT DEVICES OR SYSTEMS WITHOUT THE EXPRESS WRITTEN APPROVAL OF THE PRESIDENT OF NATIONAL SEMICONDUCTOR CORPORATION. As used herein:

1. Life support devices or systems are devices or systems which, (a) are intended for surgical implant into the body, or (b) support or sustain life, and whose failure to perform, when properly used in accordance with instructions for use provided in the labeling, can be reasonably expected to result in a significant injury to the user.
2. A critical component is any component of a life support device or system whose failure to perform can be reasonably expected to cause the failure of the life support device or system, or to affect its safety or effectiveness.



**National Semiconductor Corporation**  
 1111 West Bardin Road  
 Arlington, TX 76017  
 Tel: 1(800) 272-9959  
 Fax: 1(800) 737-7018

**National Semiconductor Europe**  
 Fax: (+49) 0-180-530 85 86  
 Email: cnjwge@tevm2.nsc.com  
 Deutsch Tel: (+49) 0-180-530 85 85  
 English Tel: (+49) 0-180-532 78 32  
 Français Tel: (+49) 0-180-532 93 58  
 Italiano Tel: (+49) 0-180-534 16 80

**National Semiconductor Hong Kong Ltd.**  
 19th Floor, Straight Block,  
 Ocean Centre, 5 Canton Rd.  
 Tsimshatsui, Kowloon  
 Hong Kong  
 Tel: (852) 2737-1600  
 Fax: (852) 2736-9960

**National Semiconductor Japan Ltd.**  
 Tel: 81-043-299-2309  
 Fax: 81-043-299-2408

National does not assume any responsibility for use of any circuitry described, no circuit patent licenses are implied and National reserves the right at any time without notice to change said circuitry and specifications.

## IMPORTANT NOTICE

Texas Instruments Incorporated and its subsidiaries (TI) reserve the right to make corrections, modifications, enhancements, improvements, and other changes to its products and services at any time and to discontinue any product or service without notice. Customers should obtain the latest relevant information before placing orders and should verify that such information is current and complete. All products are sold subject to TI's terms and conditions of sale supplied at the time of order acknowledgment.

TI warrants performance of its hardware products to the specifications applicable at the time of sale in accordance with TI's standard warranty. Testing and other quality control techniques are used to the extent TI deems necessary to support this warranty. Except where mandated by government requirements, testing of all parameters of each product is not necessarily performed.

TI assumes no liability for applications assistance or customer product design. Customers are responsible for their products and applications using TI components. To minimize the risks associated with customer products and applications, customers should provide adequate design and operating safeguards.

TI does not warrant or represent that any license, either express or implied, is granted under any TI patent right, copyright, mask work right, or other TI intellectual property right relating to any combination, machine, or process in which TI products or services are used. Information published by TI regarding third-party products or services does not constitute a license from TI to use such products or services or a warranty or endorsement thereof. Use of such information may require a license from a third party under the patents or other intellectual property of the third party, or a license from TI under the patents or other intellectual property of TI.

Reproduction of TI information in TI data books or data sheets is permissible only if reproduction is without alteration and is accompanied by all associated warranties, conditions, limitations, and notices. Reproduction of this information with alteration is an unfair and deceptive business practice. TI is not responsible or liable for such altered documentation. Information of third parties may be subject to additional restrictions.

Resale of TI products or services with statements different from or beyond the parameters stated by TI for that product or service voids all express and any implied warranties for the associated TI product or service and is an unfair and deceptive business practice. TI is not responsible or liable for any such statements.

TI products are not authorized for use in safety-critical applications (such as life support) where a failure of the TI product would reasonably be expected to cause severe personal injury or death, unless officers of the parties have executed an agreement specifically governing such use. Buyers represent that they have all necessary expertise in the safety and regulatory ramifications of their applications, and acknowledge and agree that they are solely responsible for all legal, regulatory and safety-related requirements concerning their products and any use of TI products in such safety-critical applications, notwithstanding any applications-related information or support that may be provided by TI. Further, Buyers must fully indemnify TI and its representatives against any damages arising out of the use of TI products in such safety-critical applications.

TI products are neither designed nor intended for use in military/aerospace applications or environments unless the TI products are specifically designated by TI as military-grade or "enhanced plastic." Only products designated by TI as military-grade meet military specifications. Buyers acknowledge and agree that any such use of TI products which TI has not designated as military-grade is solely at the Buyer's risk, and that they are solely responsible for compliance with all legal and regulatory requirements in connection with such use.

TI products are neither designed nor intended for use in automotive applications or environments unless the specific TI products are designated by TI as compliant with ISO/TS 16949 requirements. Buyers acknowledge and agree that, if they use any non-designated products in automotive applications, TI will not be responsible for any failure to meet such requirements.

Following are URLs where you can obtain information on other Texas Instruments products and application solutions:

### Products

Audio	<a href="http://www.ti.com/audio">www.ti.com/audio</a>
Amplifiers	<a href="http://amplifier.ti.com">amplifier.ti.com</a>
Data Converters	<a href="http://dataconverter.ti.com">dataconverter.ti.com</a>
DLP® Products	<a href="http://www.dlp.com">www.dlp.com</a>
DSP	<a href="http://dsp.ti.com">dsp.ti.com</a>
Clocks and Timers	<a href="http://www.ti.com/clocks">www.ti.com/clocks</a>
Interface	<a href="http://interface.ti.com">interface.ti.com</a>
Logic	<a href="http://logic.ti.com">logic.ti.com</a>
Power Mgmt	<a href="http://power.ti.com">power.ti.com</a>
Microcontrollers	<a href="http://microcontroller.ti.com">microcontroller.ti.com</a>
RFID	<a href="http://www.ti-rfid.com">www.ti-rfid.com</a>
OMAP Mobile Processors	<a href="http://www.ti.com/omap">www.ti.com/omap</a>
Wireless Connectivity	<a href="http://www.ti.com/wirelessconnectivity">www.ti.com/wirelessconnectivity</a>

### Applications

Communications and Telecom	<a href="http://www.ti.com/communications">www.ti.com/communications</a>
Computers and Peripherals	<a href="http://www.ti.com/computers">www.ti.com/computers</a>
Consumer Electronics	<a href="http://www.ti.com/consumer-apps">www.ti.com/consumer-apps</a>
Energy and Lighting	<a href="http://www.ti.com/energy">www.ti.com/energy</a>
Industrial	<a href="http://www.ti.com/industrial">www.ti.com/industrial</a>
Medical	<a href="http://www.ti.com/medical">www.ti.com/medical</a>
Security	<a href="http://www.ti.com/security">www.ti.com/security</a>
Space, Avionics and Defense	<a href="http://www.ti.com/space-avionics-defense">www.ti.com/space-avionics-defense</a>
Transportation and Automotive	<a href="http://www.ti.com/automotive">www.ti.com/automotive</a>
Video and Imaging	<a href="http://www.ti.com/video">www.ti.com/video</a>

TI E2E Community Home Page

[e2e.ti.com](http://e2e.ti.com)

Mailing Address: Texas Instruments, Post Office Box 655303, Dallas, Texas 75265  
Copyright © 2011, Texas Instruments Incorporated