

# DS8908

*DS8908B AM/FM Digital Phase-Locked Loop Frequency Synthesizer*



Literature Number: SNOSBD1A

## DS8908B AM/FM Digital Phase-Locked Loop Frequency Synthesizer

### General Description

The DS8908B is a PLL synthesizer designed specifically for use in AM/FM radios. It contains the reference oscillator, a phase comparator, a charge pump, an operational amplifier, a 120 MHz ECL/ $I^2L$  dual modulus programmable divider, and a 19-bit shift register/latch for serial data entry. The device is designed to operate with a serial data controller generating the necessary division codes for each frequency, and logic state information for radio function inputs/outputs.

A 3.96 MHz pierce oscillator and divider chain generate a 1.98 MHz external controller clock, a 20 kHz, 10 kHz, 9 kHz, and a 1 kHz reference signals, and a 50 Hz time-of-day signal. The oscillator and divider chain are sourced by the  $V_{CCM}$  pin thus providing a low power controller clock drive and time-of-day indication when the balance of the PLL is powered down.

The 21-bit serial data stream is transferred between the frequency synthesizer and the controller via a 3-wire bus system comprised of a data line, a clock line, and an enable line.

The first 2 bits in the serial data stream address the synthesizer thus permitting other devices such as display drivers to share the same bus. The next 14 bits are used for the  $PLL(N+1)$  divide code. The 15th bit is used internally to select the AM or FM local oscillator input. A high level on this bit enables the FM input and a low level enables the AM input. The 16th and 17th bits are used to select one of the 4 reference frequencies. The 18th and 19th bits are connected via latches to open collector outputs. These outputs can be used to drive radio functions such as gain, mute, AM, FM, or charge pump current source levels.

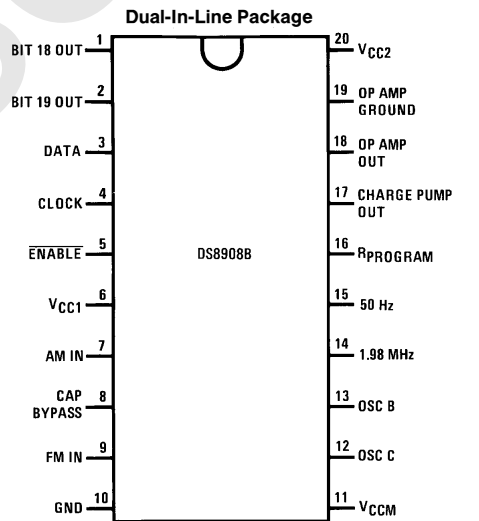
The PLL consists of a 14-bit programmable  $I^2L$  divider, an ECL phase comparator, an ECL dual modulus ( $p/p + 1$ ) prescaler, a high speed charge pump, and an operational amplifier. The programmable divider divides by  $(N + 1)$ ,  $N$  being the number loaded into the shift register. The programmable divider is clocked through a  $\div 7/8$  prescaler by the AM input or through a  $\div 63/64$  prescaler by the FM input. The AM input will work at frequencies up to 15 MHz, while the FM input works up to 120 MHz. The VCO can be tuned with a frequency resolution of either 1 kHz, 9 kHz, 10 kHz, or 20 kHz. The buffered AM and FM inputs are self-biased and can be driven directly by the VCO through a capacitor. The ECL phase comparator produces very accurate resolution of the phase difference between the input signal and the reference oscillator. The high speed charge pump consists of a switchable constant current source and sink. The charge pump can be programmed to deliver from 75  $\mu A$  to 750  $\mu A$  of constant current by connection of an external resistor from pin  $R_{PROGRAM}$  to ground or the open collector bit outputs. Connection of programming resistors to the bit outputs enables the controller to adjust the loop gain for the particular reference frequency selected. The charge pump will source current if the VCO frequency is high and sink

current if the VCO frequency is low. The low noise operational amplifier provided has a high impedance JFET input and a large output voltage range. The op amp's negative input is common with the charge pump output and its positive input is internally biased.

### Features

- Uses inexpensive 3.96 MHz reference crystal
- $F_{IN}$  capability greater than 120 MHz allows direct synthesis at FM frequencies
- FM resolution of either 10 kHz or 20 kHz allows usage of 10.7 MHz ceramic filter distribution
- Serial data entry for simplified control
- 50 Hz output for time-of-day reference driven from separate low power  $V_{CCM}$
- 2 open collector buffered outputs for controlling various radio functions or loop gain
- Separate AM and FM inputs; AM input has 15 mV (typical) hysteresis
- Programmable charge pump current sources enable adjustment of system loop gain
- Operational amplifier provides high impedance load to charge pump output and a wide voltage range for the VCO input

### Connection Diagram



Top View  
Order Number DS8908BN  
See NS Package Number N20A

DS8908B AM/FM Digital Phase-Locked Loop Frequency Synthesizer

TRI-STATE® is a registered trademark of National Semiconductor Corp.

## Absolute Maximum Ratings (Note 1)

If Military/Aerospace specified devices are required, please contact the National Semiconductor Sales Office/Distributors for availability and specifications.

Supply Voltage (V <sub>CC1</sub> ) (V <sub>CCM</sub> ) (V <sub>CC2</sub> )	7V 17V
Input Voltage	7V
Output Voltage	7V

Storage Temperature Range	-65°C to +150°C
Lead Temperature (Soldering, 4 seconds)	260°C

## Operating Conditions

	Min	Max	Units
V <sub>CC1</sub>	4.5	5.5	V
V <sub>CC2</sub>	V <sub>CC1</sub> + 1.5	15.0	V
V <sub>CCM</sub>	3.5	5.5	V
Temperature, T <sub>A</sub>	-40	+85	°C

## DC Electrical Characteristics (Notes 2 and 3)

Symbol	Parameter	Conditions	Min	Typ	Max	Units	
V <sub>IH</sub>	Logical "1" Input Voltage		2.0			V	
I <sub>IH</sub>	Logical "1" Input Current	V <sub>IN</sub> = 2.7V		0	10	μA	
V <sub>IL</sub>	Logical "0" Input Voltage				0.8	V	
I <sub>IL</sub>	Logical "0" Input Current	Data, Clock, and ENABLE Inputs, V <sub>IN</sub> = 0V		-5	-25	μA	
I <sub>OH</sub>	Logical "1" Output Current All Bit Outputs, 50 Hz Output	V <sub>OH</sub> = 5.5V			50	μA	
	1.98 MHz Output	V <sub>OH</sub> = 2.4V, V <sub>CCM</sub> = 4.5V			-250	μA	
V <sub>OL</sub>	Logical "0" Output Voltage All Bit Outputs	I <sub>OL</sub> = 5 mA			0.5	V	
	50 Hz Output, 1.98 MHz Output	I <sub>OL</sub> = 250 μA			0.5	V	
	1.98 MHz Output	I <sub>OL</sub> = 20 μA, T <sub>A</sub> > 70°C I <sub>OL</sub> = 20 μA, T <sub>A</sub> ≤ 70°C			0.3 0.4	V	
I <sub>CC1</sub>	Supply Current (V <sub>CC1</sub> )	All Bit Outputs High			160	mA	
I <sub>CCM</sub>	V <sub>CCM</sub> Supply Current	V <sub>CCM</sub> = 5.5V, All Other Pins Open		2.5	4.0	mA	
I <sub>OUT</sub>	Charge Pump Output Current	3.33k ≤ R <sub>PROG</sub> ≤ 33.3k I <sub>OUT</sub> Measured between Pin 17 and Pin 18 I <sub>PROG</sub> = V <sub>CC1</sub> /2 R <sub>PROG</sub>	Pump Up	-20	I <sub>PROG</sub>	+20	%
			Pump Down	-20	I <sub>PROG</sub>	+20	%
			TRI-STATE®		0	11	nA
I <sub>CC2</sub>	V <sub>CC2</sub> Supply Current	V <sub>CCM</sub> = 5V, V <sub>CC1</sub> = 5.5V, V <sub>CC2</sub> = 15V All Other Pins Open		6.7	11	mA	
OP <sub>VOH</sub>	Op Amp Minimum High Level	V <sub>CC1</sub> = 4.5V, I <sub>OH</sub> = -750 μA	V <sub>CC2</sub> - 0.4			V	
OP <sub>VOL</sub>	Op Amp Maximum Low Level	V <sub>CC1</sub> = 5.5V, I <sub>OL</sub> = 750 μA			0.6	V	
CPO <sub>BIAS</sub>	Charge Pump Bias Voltage Delta	CPO Shorted to Op Amp Output CPO = TRI-STATE Op Amp I <sub>OL</sub> : 750 μA vs -750 μA			100	mV	

## AC Electrical Characteristics V<sub>CC</sub> = 5V, T<sub>A</sub> = 25°C, t<sub>r</sub> ≤ 10 ns, t<sub>f</sub> ≤ 10 ns

Symbol	Parameter	Conditions	Min	Typ	Max	Units
V <sub>IN(MIN)(F)</sub>	F <sub>IN</sub> Minimum Signal Input	AM and FM Inputs, -40°C ≤ T <sub>A</sub> ≤ 85°C		20	100	mV(rms)
V <sub>IN(MAX)(F)</sub>	F <sub>IN</sub> Maximum Signal Input	AM and FM Inputs, -40°C ≤ T <sub>A</sub> ≤ 85°C	1000	1500		mV(rms)
F <sub>OPERATE</sub>	Operating Frequency Range (Sine Wave Input)	AM	0.5		15	MHz
		FM	80		120	MHz
R <sub>IN(FM)</sub>	AC Input Resistance, FM	120 MHz, V <sub>IN</sub> = 100 mV rms	600			Ω
R <sub>IN(AM)</sub>	AC Input Resistance, AM	15 MHz, V <sub>IN</sub> = 100 mV rms	1000			Ω
C <sub>IN</sub>	Input Capacitance, FM and AM	V <sub>IN</sub> = 120 MHz (FM), 15 MHz (AM)	3	6	10	pF
t <sub>EN1</sub>	Minimum ENABLE High Pulse Width			625	1250	ns

## AC Electrical Characteristics $V_{CC} = 5V, T_A = 25^\circ C, t_r \leq 10 \text{ ns}, t_f \leq 10 \text{ ns}$ (Continued)

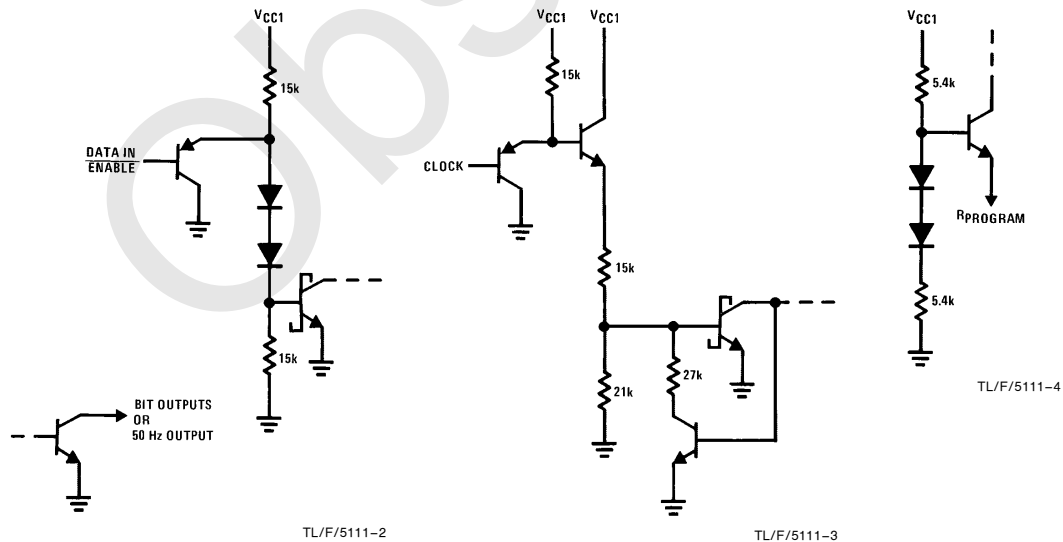
Symbol	Parameter	Conditions	Min	Typ	Max	Units
$t_{\overline{EN}0}$	Minimum ENABLE Low Pulse Width			375	750	ns
$t_{\overline{CLK}\overline{EN}0}$	Minimum Time before ENABLE Goes Low That CLOCK Must Be Low			-50	0	ns
$t_{\overline{EN}0\text{CLK}}$	Minimum Time after ENABLE Goes Low That CLOCK Must Remain Low			275	550	ns
$t_{\overline{CLK}\overline{EN}1}$	Minimum Time before ENABLE Goes High That Last Positive CLOCK Edge May Occur			300	600	ns
$t_{\overline{EN}1\text{CLK}}$	Minimum Time after ENABLE Goes High before an Unused Positive CLOCK Edge May Occur			175	350	ns
$t_{\text{CLKH}}$	Minimum CLOCK High Pulse Width			275	550	ns
$t_{\text{CLKL}}$	Minimum CLOCK Low Pulse Width			400	800	ns
$t_{\text{DS}}$	Minimum DATA Set-Up Time, Minimum Time before CLOCK That DATA Must Be Valid			150	300	ns
$t_{\text{DH}}$	Minimum DATA Hold Time, Minimum Time after CLOCK That DATA Must Remain Valid			400	800	ns

**Note 1:** "Absolute Maximum Ratings" are those values beyond which the safety of the device cannot be guaranteed. Except for "Operating Temperature Range" they are not meant to imply that the devices should be operated at these limits. The table of "Electrical Characteristics" provides conditions for actual device operation.

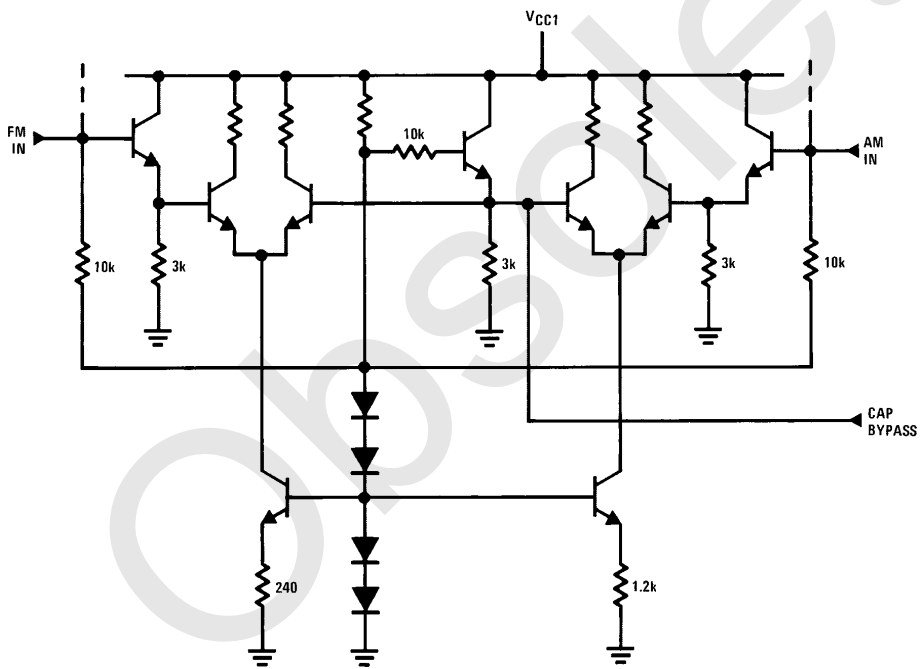
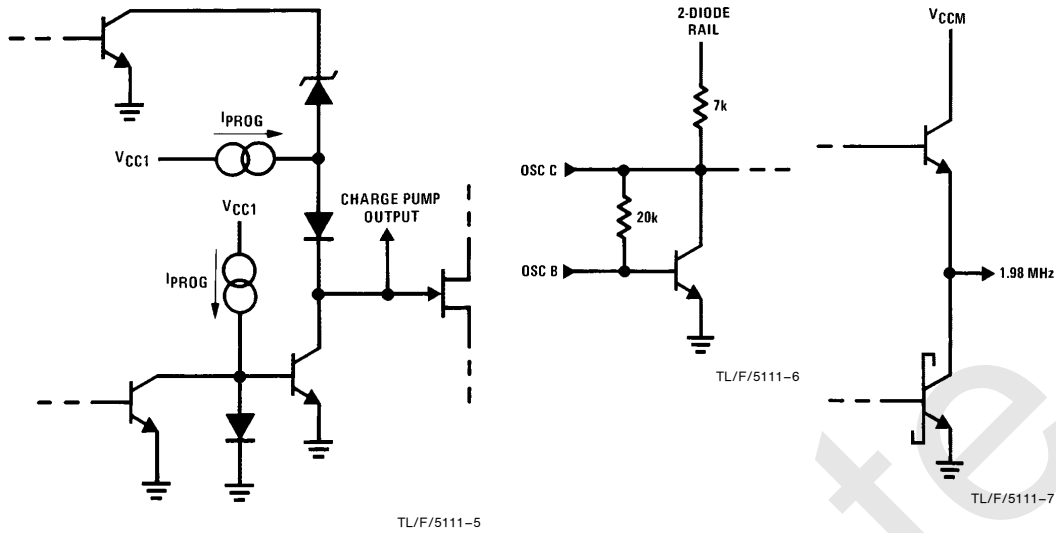
**Note 2:** Unless otherwise specified min/max limits apply across the  $-40^\circ C$  to  $+85^\circ C$  temperature range for the DS8908B.

**Note 3:** All currents into device pins shown as positive, out of device pins as negative, all voltage referenced to ground unless otherwise noted. All values shown as max or min on absolute value basis.

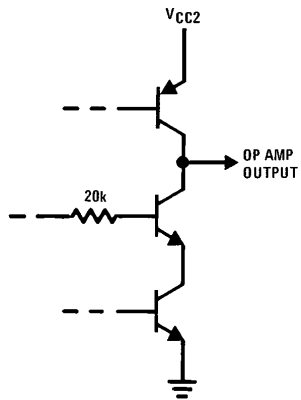
## Schematic Diagrams (DS8908B AM/FM PLL Typical Input/Output Schematics)



**Schematic Diagrams** (Continued)

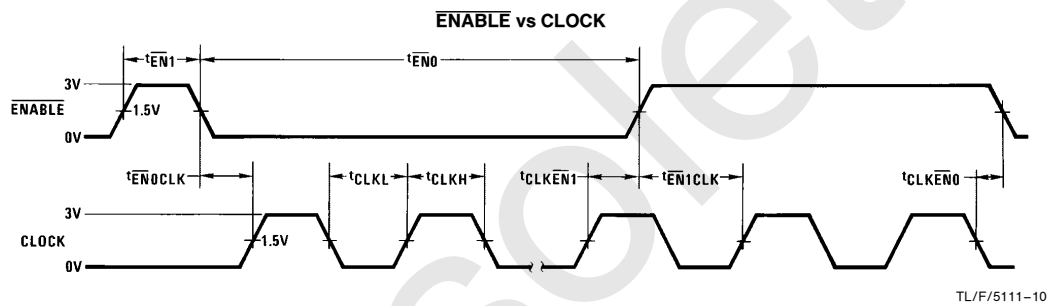


## Schematic Diagrams (Continued)

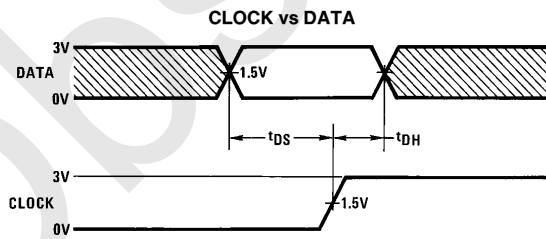


TL/F/5111-9

## Timing Diagrams\*

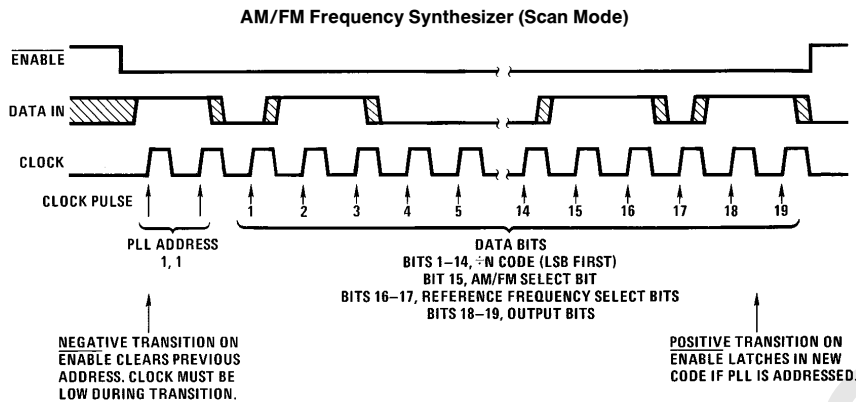


TL/F/5111-10



TL/F/5111-11

## Timing Diagrams\* (Continued)



TL/F/5111-12

\*Timing diagrams are not drawn to scale. Scale within any one drawing may not be consistent, and intervals are defined positive as drawn.

### SERIAL DATA ENTRY INTO THE DS8908B

Serial information entry into the DS8908B is enabled by a low level on the  $\overline{\text{ENABLE}}$  input. One binary bit is then accepted from the DATA input with each positive transition of the CLOCK input. The CLOCK input must be low for the specified time preceding and following the negative transition of the  $\overline{\text{ENABLE}}$  input.

The first two bits accepted following the negative transition of the  $\overline{\text{ENABLE}}$  input are interpreted as address. If these address bits are *not* 1,1 no further information will be accepted from the DATA inputs, and the internal data latches will *not* be changed when  $\overline{\text{ENABLE}}$  returns high.

If these first two bits are 1,1, then all succeeding bits are *accepted* as data, and are shifted successively into the internal shift register as long as  $\overline{\text{ENABLE}}$  remains low.

Any data bits preceding the 19th to last bit will be shifted out, and thus are irrelevant. Data bits are counted as any bits *following* two valid address bits (1,1) with the  $\overline{\text{ENABLE}}$  low. When the  $\overline{\text{ENABLE}}$  input returns high, any further serial data entry is inhibited. Upon this positive transition, the data in the internal shift register is transferred into the internal data latches. Note that until this time, the states of the internal data latches have remained unchanged.

These data bits are interpreted as follows:

Data Bit Position	Data Interpretation
Last	Bit 19 Output (Pin 2)
2nd to Last	Bit 18 Output (Pin 1)
3rd to Last	Ref. Freq. Select Bit <sup>(1)</sup> 17
4th to Last	Ref. Freq. Select Bit <sup>(1)</sup> 16
5th to Last	AM/FM Select Bit 15
6th to Last	(2 <sup>13</sup> )
7th to Last	(2 <sup>12</sup> )
8th to Last	(2 <sup>11</sup> )
9th to Last	(2 <sup>10</sup> )
10th to Last	(2 <sup>9</sup> )
11th to Last	(2 <sup>8</sup> )
12th to Last	(2 <sup>7</sup> )
13th to Last	(2 <sup>6</sup> )
14th to Last	(2 <sup>5</sup> )
15th to Last	(2 <sup>4</sup> )
16th to Last	(2 <sup>3</sup> )
17th to Last	(2 <sup>2</sup> )
18th to Last	(2 <sup>1</sup> )
19th to Last	LSB of $\div N$ (2 <sup>0</sup> )

}  $\div N(2)$

**Note 1:** See Reference Frequency Select Truth Table.

**Note 2:** The actual divide code is  $N + 1$ , i.e., the number loaded plus 1.

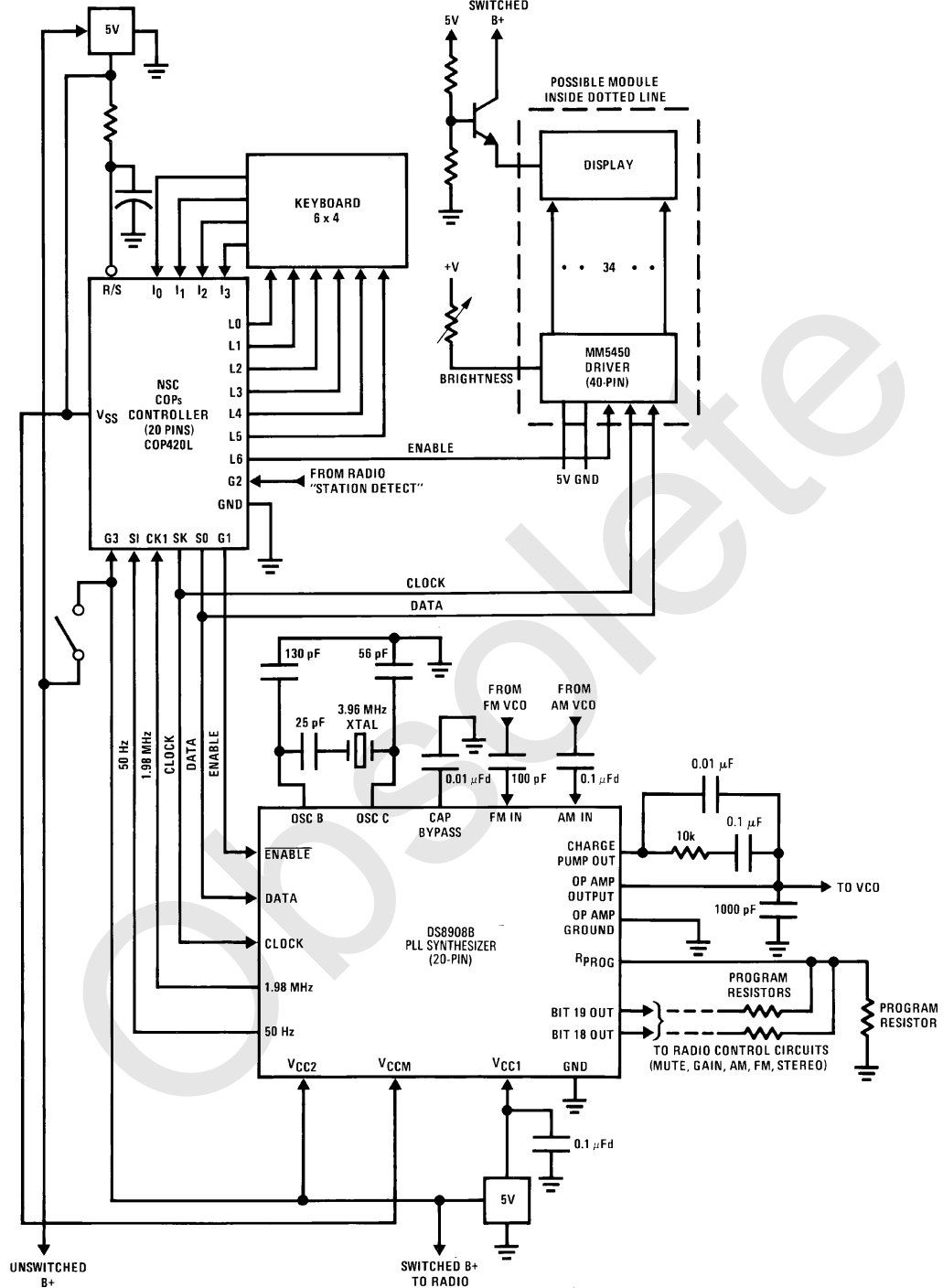
## Truth Table

Reference Frequency Selection Truth Table

Serial Data		Reference Frequency
Bit 16	Bit 17	(kHz)
1	1	20
1	0	10
0	1	9
0	0	1

**Typical Application** Additional application notes are located at the back of section 11.

**Electronically Tuned Radio Controller System; Direct Drive LED**

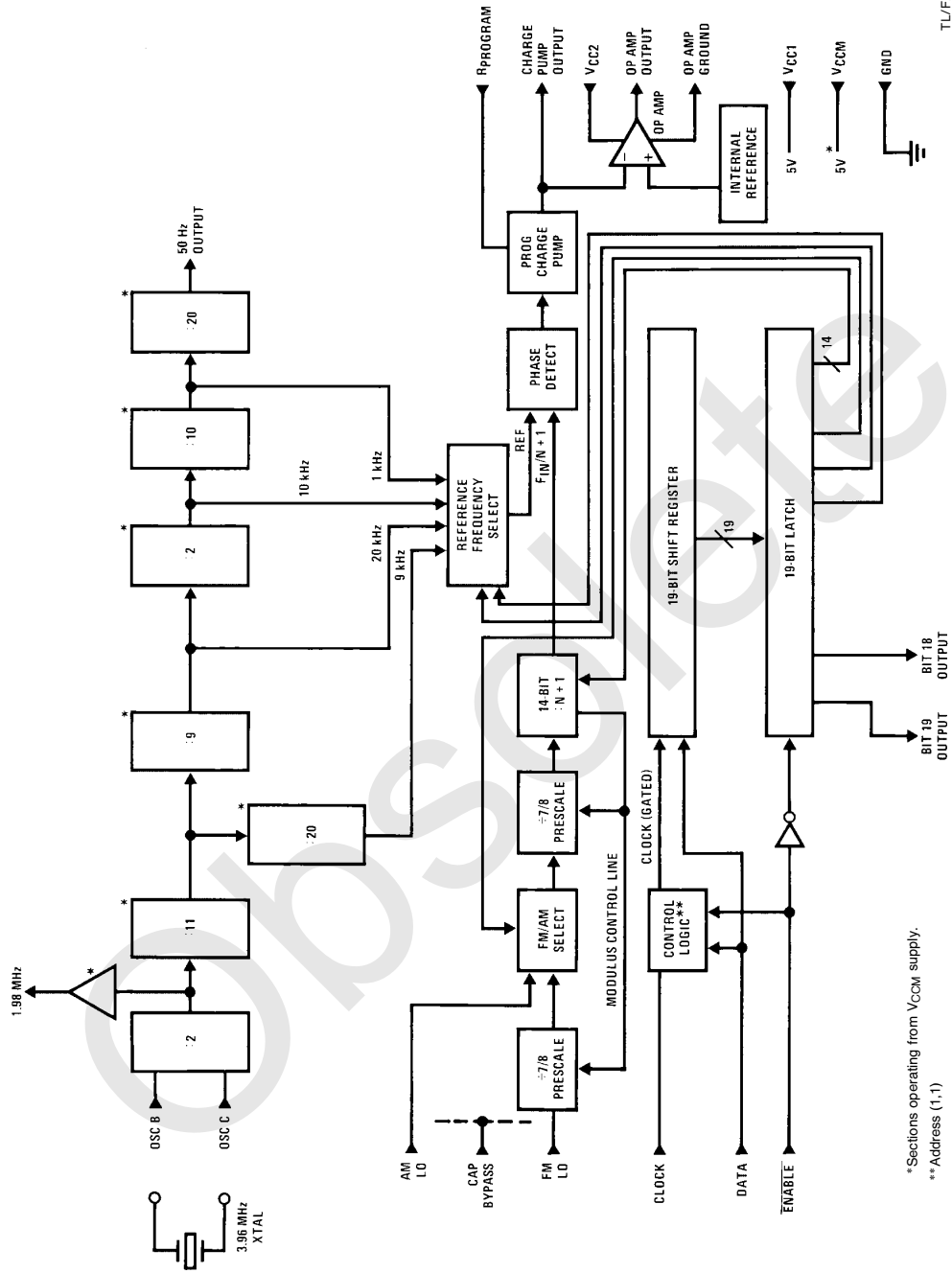


TL/F/5111-13



# Logic Diagram

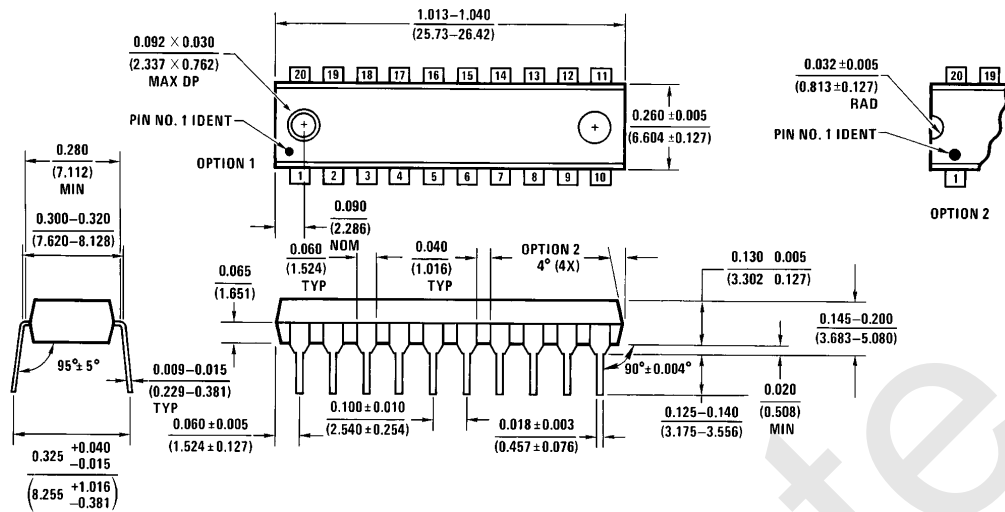
AM/FM PLL/Synthesizer (Serial Data 20-Pin Package)



\*Sections operating from V<sub>CCM</sub> supply.  
 \*\*Address (1,1)

Obsolete

**Physical Dimensions** inches (millimeters)



**Molded Dual-In-Line Package (N)**  
**Order Number DS8908BN**  
**NS Package Number N20A**

N20A (REV G)

**LIFE SUPPORT POLICY**

NATIONAL'S PRODUCTS ARE NOT AUTHORIZED FOR USE AS CRITICAL COMPONENTS IN LIFE SUPPORT DEVICES OR SYSTEMS WITHOUT THE EXPRESS WRITTEN APPROVAL OF THE PRESIDENT OF NATIONAL SEMICONDUCTOR CORPORATION. As used herein:

1. Life support devices or systems are devices or systems which, (a) are intended for surgical implant into the body, or (b) support or sustain life, and whose failure to perform, when properly used in accordance with instructions for use provided in the labeling, can be reasonably expected to result in a significant injury to the user.
2. A critical component is any component of a life support device or system whose failure to perform can be reasonably expected to cause the failure of the life support device or system, or to affect its safety or effectiveness.



**National Semiconductor Corporation**  
 1111 West Bardin Road  
 Arlington, TX 76017  
 Tel: 1(800) 272-9959  
 Fax: 1(800) 737-7018

**National Semiconductor Europe**  
 Fax: (+49) 0-180-530 85 86  
 Email: cnjwge@tevm2.nsc.com  
 Deutsch Tel: (+49) 0-180-530 85 85  
 English Tel: (+49) 0-180-532 78 32  
 Français Tel: (+49) 0-180-532 93 58  
 Italiano Tel: (+49) 0-180-534 16 80

**National Semiconductor Hong Kong Ltd.**  
 19th Floor, Straight Block,  
 Ocean Centre, 5 Canton Rd.  
 Tsimshatsui, Kowloon  
 Hong Kong  
 Tel: (852) 2737-1600  
 Fax: (852) 2736-9960

**National Semiconductor Japan Ltd.**  
 Tel: 81-043-299-2309  
 Fax: 81-043-299-2408

National does not assume any responsibility for use of any circuitry described, no circuit patent licenses are implied and National reserves the right at any time without notice to change said circuitry and specifications.

## IMPORTANT NOTICE

Texas Instruments Incorporated and its subsidiaries (TI) reserve the right to make corrections, modifications, enhancements, improvements, and other changes to its products and services at any time and to discontinue any product or service without notice. Customers should obtain the latest relevant information before placing orders and should verify that such information is current and complete. All products are sold subject to TI's terms and conditions of sale supplied at the time of order acknowledgment.

TI warrants performance of its hardware products to the specifications applicable at the time of sale in accordance with TI's standard warranty. Testing and other quality control techniques are used to the extent TI deems necessary to support this warranty. Except where mandated by government requirements, testing of all parameters of each product is not necessarily performed.

TI assumes no liability for applications assistance or customer product design. Customers are responsible for their products and applications using TI components. To minimize the risks associated with customer products and applications, customers should provide adequate design and operating safeguards.

TI does not warrant or represent that any license, either express or implied, is granted under any TI patent right, copyright, mask work right, or other TI intellectual property right relating to any combination, machine, or process in which TI products or services are used. Information published by TI regarding third-party products or services does not constitute a license from TI to use such products or services or a warranty or endorsement thereof. Use of such information may require a license from a third party under the patents or other intellectual property of the third party, or a license from TI under the patents or other intellectual property of TI.

Reproduction of TI information in TI data books or data sheets is permissible only if reproduction is without alteration and is accompanied by all associated warranties, conditions, limitations, and notices. Reproduction of this information with alteration is an unfair and deceptive business practice. TI is not responsible or liable for such altered documentation. Information of third parties may be subject to additional restrictions.

Resale of TI products or services with statements different from or beyond the parameters stated by TI for that product or service voids all express and any implied warranties for the associated TI product or service and is an unfair and deceptive business practice. TI is not responsible or liable for any such statements.

TI products are not authorized for use in safety-critical applications (such as life support) where a failure of the TI product would reasonably be expected to cause severe personal injury or death, unless officers of the parties have executed an agreement specifically governing such use. Buyers represent that they have all necessary expertise in the safety and regulatory ramifications of their applications, and acknowledge and agree that they are solely responsible for all legal, regulatory and safety-related requirements concerning their products and any use of TI products in such safety-critical applications, notwithstanding any applications-related information or support that may be provided by TI. Further, Buyers must fully indemnify TI and its representatives against any damages arising out of the use of TI products in such safety-critical applications.

TI products are neither designed nor intended for use in military/aerospace applications or environments unless the TI products are specifically designated by TI as military-grade or "enhanced plastic." Only products designated by TI as military-grade meet military specifications. Buyers acknowledge and agree that any such use of TI products which TI has not designated as military-grade is solely at the Buyer's risk, and that they are solely responsible for compliance with all legal and regulatory requirements in connection with such use.

TI products are neither designed nor intended for use in automotive applications or environments unless the specific TI products are designated by TI as compliant with ISO/TS 16949 requirements. Buyers acknowledge and agree that, if they use any non-designated products in automotive applications, TI will not be responsible for any failure to meet such requirements.

Following are URLs where you can obtain information on other Texas Instruments products and application solutions:

### Products

Audio	<a href="http://www.ti.com/audio">www.ti.com/audio</a>
Amplifiers	<a href="http://amplifier.ti.com">amplifier.ti.com</a>
Data Converters	<a href="http://dataconverter.ti.com">dataconverter.ti.com</a>
DLP® Products	<a href="http://www.dlp.com">www.dlp.com</a>
DSP	<a href="http://dsp.ti.com">dsp.ti.com</a>
Clocks and Timers	<a href="http://www.ti.com/clocks">www.ti.com/clocks</a>
Interface	<a href="http://interface.ti.com">interface.ti.com</a>
Logic	<a href="http://logic.ti.com">logic.ti.com</a>
Power Mgmt	<a href="http://power.ti.com">power.ti.com</a>
Microcontrollers	<a href="http://microcontroller.ti.com">microcontroller.ti.com</a>
RFID	<a href="http://www.ti-rfid.com">www.ti-rfid.com</a>
OMAP Mobile Processors	<a href="http://www.ti.com/omap">www.ti.com/omap</a>
Wireless Connectivity	<a href="http://www.ti.com/wirelessconnectivity">www.ti.com/wirelessconnectivity</a>

### Applications

Communications and Telecom	<a href="http://www.ti.com/communications">www.ti.com/communications</a>
Computers and Peripherals	<a href="http://www.ti.com/computers">www.ti.com/computers</a>
Consumer Electronics	<a href="http://www.ti.com/consumer-apps">www.ti.com/consumer-apps</a>
Energy and Lighting	<a href="http://www.ti.com/energy">www.ti.com/energy</a>
Industrial	<a href="http://www.ti.com/industrial">www.ti.com/industrial</a>
Medical	<a href="http://www.ti.com/medical">www.ti.com/medical</a>
Security	<a href="http://www.ti.com/security">www.ti.com/security</a>
Space, Avionics and Defense	<a href="http://www.ti.com/space-avionics-defense">www.ti.com/space-avionics-defense</a>
Transportation and Automotive	<a href="http://www.ti.com/automotive">www.ti.com/automotive</a>
Video and Imaging	<a href="http://www.ti.com/video">www.ti.com/video</a>

TI E2E Community Home Page

[e2e.ti.com](http://e2e.ti.com)

Mailing Address: Texas Instruments, Post Office Box 655303, Dallas, Texas 75265  
Copyright © 2011, Texas Instruments Incorporated