

# DM2502,DM2503,DM2504

*DM2502 DM2503 DM2504 Successive Approximation Registers*



Literature Number: SNOSBI9A

# DM2502, DM2503, DM2504 Successive Approximation Registers

## General Description

The DM2502, DM2503 and DM2504 are 8-bit and 12-bit TTL registers designed for use in successive approximation A/D converters. These devices contain all the logic and control circuits necessary in combination with a D/A converter to perform successive approximation analog-to-digital conversions.

The DM2502 has 8 bits with serial capability and is not expandable. The DM2503 has 8 bits and is expandable without serial capability. The DM2504 has 12 bits with serial capability and expandability.

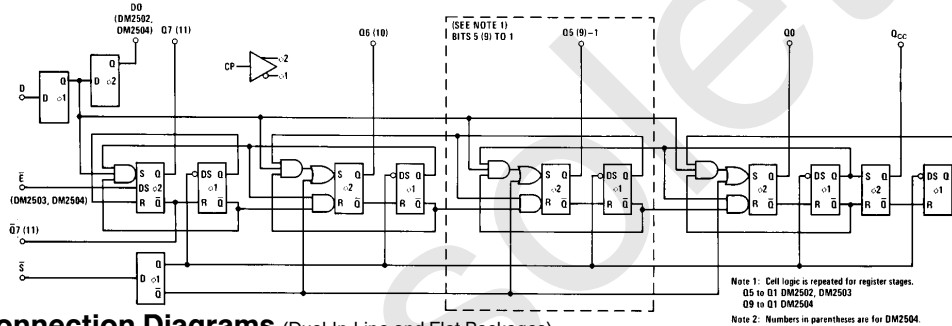
All three devices are available in ceramic DIP, ceramic flatpak, and molded Epoxy-B DIPs. The DM2502, DM2503 and

DM2504 operate over  $-55^{\circ}\text{C}$  to  $+125^{\circ}\text{C}$ ; the DM2502C, DM2503C and DM2504C operate over  $0^{\circ}\text{C}$  to  $+70^{\circ}\text{C}$ .

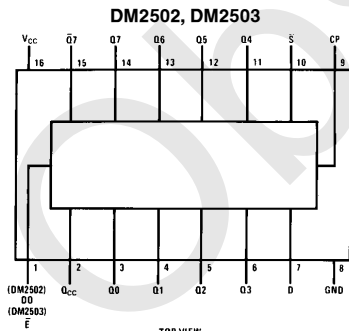
## Features

- Complete logic for successive approximation A/D converters
- 8-bit and 12-bit registers
- Capable of short cycle or expanded operation
- Continuous or start-stop operation
- Compatible with D/A converters using any logic code
- Active low or active high logic outputs
- Use as general purpose serial-to-parallel converter or ring counter

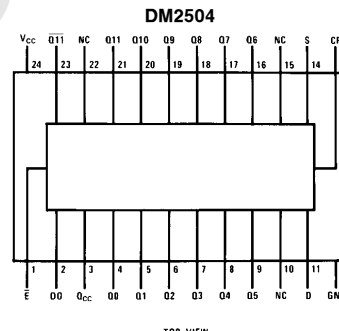
## Logic Diagram



## Connection Diagrams (Dual-In-Line and Flat Packages)



Order Number DM2502J, DM2502CJ, DM2503J or DM2503CJ  
See NS Package J16A  
Order Number DM2502CN or DM2503CN  
See NS Package N16A  
Order Number DM2502W, DM2502CW, DM2503W, or DM2503CW  
See NS Package W16A



Order Number DM2504F or DM2504CJ  
See NS Package F24D  
Order Number DM2504J or DM2504CJ  
See NS Package J24A  
Order Number DM2504CN  
See NS Package N24A

DM2502, DM2503, DM2504 Successive Approximation Registers

## Absolute Maximum Ratings (Note 1)

Supply Voltage	7V
Input Voltage	5.5V
Output Voltage	5.5V
Storage Temperature Range	-65°C to +150°C
Lead Temperature (Soldering, 10 seconds)	300°C

## Operating Conditions

	Min	Max	Units
Supply Voltage, $V_{CC}$ DM2502C, DM2503C, DM2504C	4.75	5.25	V
DM2502, DM2503, DM2504	4.5	5.5	V
Temperature, $T_A$ DM2502C, DM2503C, DM2504C	0	+70	°C
DM2502, DM2503 DM2504	-55	+125	°C

## Electrical Characteristics (Notes 2 and 3) $V_{CC}=5.0V$ , $T_A=25^\circ C$ , $C_L=15\text{ pF}$ , unless otherwise specified.

Parameter	Conditions	Min	Typ	Max	Units
Logical "1" Input Voltage ( $V_{IH}$ )	$V_{CC} = \text{Min}$	2.0			V
Logical "1" Input Current ( $I_{IH}$ ) CP Input D, $\bar{E}$ , $\bar{S}$ Inputs All Inputs	$V_{CC} = \text{Max}$ $V_{IH} = 2.4V$ $V_{IH} = 2.4V$ $V_{IH} = 5.5V$		6 6	40 80 1.0	$\mu A$ $\mu A$ mA
Logical "0" Input Voltage ( $V_{IL}$ )	$V_{CC} = \text{Min}$			0.8	V
Logical "0" Input Current ( $I_{IL}$ ) CP, $\bar{S}$ Inputs D, E Inputs	$V_{CC} = \text{Max}$ $V_{IL} = 0.4V$ $V_{IL} = 0.4V$		-1.0 -1.0	-1.6 -3.2	mA mA
Logical "1" Output Voltage ( $V_{OH}$ )	$V_{CC} = \text{Min}$ , $I_{OH} = 0.48\text{ mA}$	2.4	3.6		V
Output Short Circuit Current (Note 4) ( $I_{OS}$ )	$V_{CC} = \text{Max}$ ; $V_{OUT} = 0.0V$ ; Output High; CP, D, $\bar{S}$ , High; $\bar{E}$ Low	-10	-20	-45	mA
Logical "0" Output Voltage ( $V_{OL}$ )	$V_{CC} = \text{Min}$ , $I_{OL} = 9.6\text{ mA}$		0.2	0.4	V
Supply Current ( $I_{CC}$ ) DM2502C DM2502 DM2503C DM2503 DM2504C DM2504	$V_{CC} = \text{Max}$ , All Outputs Low		65 65 60 60 90 90	95 85 90 80 124 110	mA mA mA mA mA mA
Propagation Delay to a Logical "0" From CP to Any Output ( $t_{pd0}$ )		10	18	28	ns
Propagation Delay to a Logical "0" From $\bar{E}$ to Q7 (Q11) Output ( $t_{pd0}$ )	CP High, $\bar{S}$ Low DM2503, DM2503C, DM2504, DM2504C Only		16	24	ns
Propagation Delay to a Logical "1" From CP to Any Output ( $t_{pd1}$ )		10	26	38	ns
Propagation Delay to a Logical "1" From $\bar{E}$ to Q7 (Q11) Output ( $t_{pd1}$ )	CP High, $\bar{S}$ Low DM2503, DM2503C, DM2504, DM2504C Only		13	19	ns
Set-Up Time Data Input ( $t_{s(D)}$ )		-10	4	8	ns
Set-Up Time Start Input ( $t_{s(\bar{S})}$ )		0	9	16	ns
Minimum Low CP Width ( $t_{pWL}$ )			30	42	ns
Minimum High CP Width ( $t_{pWH}$ )			17	24	ns
Maximum Clock Frequency ( $f_{MAX}$ )		15	21		MHz

**Note 1:** "Absolute Maximum Ratings" are those values beyond which the safety of the device cannot be guaranteed. Except for "Operating Temperature Range" they are not meant to imply that the devices should be operated at these limits. The table of "Electrical Characteristics" provides conditions for actual device operation.

**Note 2:** Unless otherwise specified min/max limits apply across the -55°C to +125°C temperature range for the DM2502, DM2503 and DM2504, and across the 0°C to +70°C range for the DM2502C, DM2503C and DM2504C. All typicals are given for  $V_{CC}=5.0V$  and  $T_A=25^\circ C$ .

**Note 3:** All currents into device pins shown as positive, out of device pins as negative, all voltages referenced to ground unless otherwise noted. All values shown as max or min on absolute value basis.

**Note 4:** Only one output at a time should be shorted.

## Application Information

### OPERATION

The registers consist of a set of master latches that act as the control elements in the device and change state on the input clock high-to-low transition and a set of slave latches that hold the register data and change on the input clock low-to-high transition. Externally the device acts as a special purpose serial-to-parallel converter that accepts data at the D input of the register and sends the data to the appropriate slave latch to appear at the register output and the DO output on the DM2502 and DM2504 when the clock goes from low-to-high. There are no restrictions on the data input; it can change state at any time except during a short interval centered about the clock low-to-high transition. At the same time that data enters the register bit the next less significant bit register is set to a low ready for the next iteration.

The register is reset by holding the  $\bar{S}$  (Start) signal low during the clock low-to-high transition. The register synchronously resets to the state Q7 (11) low, and all the remaining register outputs high. The  $Q_{CC}$  (Conversion Complete) signal is also set high at this time. The  $\bar{S}$  signal should not be brought back high until after the clock low-to-high transition in order to guarantee correct resetting. After the clock has gone high resetting the register, the  $\bar{S}$  signal must be removed. On the next clock low-to-high transition the data on the D input is set into the Q7 (11) register bit and the Q6 (10) register bit is set to a low ready for the next clock cycle. On the next clock low-to-high transition data enters the Q6 (10) register bit and Q5 (9) is set to a low. This operation is repeated for each register bit in turn until the register has been filled. When the data goes into Q0, the  $Q_{CC}$  signal goes low, and the register is inhibited from further change until reset by a Start signal.

The DM2502, DM2503 and DM2504 have a specially tailored two-phase clock generator to provide nonoverlapping two-phase clock pulses (i.e., the clock waveforms intersect below the thresholds of the gates they drive). Thus, even at

very slow  $dV/dt$  rates at the clock input (such as from relatively weak comparator outputs), improper logic operation will not result.

### LOGIC CODES

All three registers can be operated with various logic codes. Two's complement code is used by offsetting the comparator  $1/2$  full range +  $1/2$  LSB and using the complement of the MSB ( $\bar{Q}7$  or  $\bar{Q}11$ ) with a binary D/A converter. Offset binary is used in the same manner but with the MSB ( $\bar{Q}7$  or  $\bar{Q}11$ ). BCD D/A converters can be used with the addition of illegal code suppression logic.

### ACTIVE HIGH OR ACTIVE LOW LOGIC

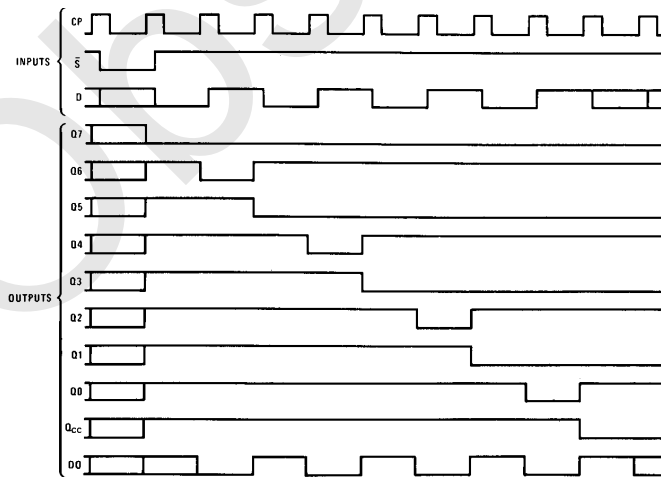
The register can be used with either D/A converters that require a low voltage level to turn on, or D/A converters that require a high voltage level to turn the switch on. If D/A converters are used which turn on with a low logic level, the resulting digital output from the register is active low. That is, a logic "1" is represented as a low voltage level. If D/A converters are used that turn on with a high logic level then the digital output is active high; a logic "1" is represented as a high voltage level.

### EXPANDED OPERATION

An active low enable input,  $\bar{E}$ , on the DM2503 and DM2504 allows registers to be connected together to form a longer register by connecting the clock, D, and  $\bar{S}$  inputs in parallel and connecting the  $Q_{CC}$  output of one register to the  $\bar{E}$  input of the next less significant register. When the start resets the register, the  $\bar{E}$  signal goes high, forcing the Q7 (11) bit high and inhibiting the register from accepting data until the previous register is full and its  $Q_{CC}$  goes low. If only one register is used the  $\bar{E}$  input should be held at a low logic level.

## Timing Diagram

DM2502, DM2503



TL/F/5702-2

## Application Information (Continued)

### SHORT CYCLE

If all bits are not required, the register may be truncated and conversion time saved by using a register output going low rather than the  $Q_{CC}$  signal to indicate the end of conversion. If the register is truncated and operated in the continuous conversion mode, a lock-up condition may occur on power turn-on. This condition can be avoided by making the start input the OR function of  $Q_{CC}$  and the appropriate register output.

### COMPARATOR BIAS

To minimize the digital error below  $\pm 1/2$  LSB, the comparator must be biased. If a D/A converter is used which requires a low voltage level to turn on, the comparator should be biased  $+1/2$  LSB. If the D/A converter requires a high logic level to turn on, the comparator must be biased  $-1/2$  LSB.

## Definition of Terms

**CP:** The clock input of the register.

**D:** The serial data input of the register.

**DO:** The serial data out. (The D input delayed one bit).

**$\bar{E}$ :** The register enable. This input is used to expand the length of the register and when high forces the Q7 (11) register output high and inhibits conversion. When not used for expansion the enable is held at a low logic level (ground).

**$Q_i$  i = 7 (11) to 0:** The outputs of the register.

**$Q_{CC}$ :** The conversion complete output. This output remains high during a conversion and goes low when a conversion is complete.

**Q7 (11):** The true output of the MSB of the register.

**$\bar{Q}7$  (11):** The complement output of the MSB of the register.

**$\bar{S}$ :** The start input. If the start input is held low for at least a clock period the register will be reset to Q7 (11) low and all the remaining outputs high. A start pulse that is low for a shorter period of time can be used if it meets the set-up time requirements of the  $\bar{S}$  input.

## Truth Table

DM2502, DM2503

Time	Inputs			Outputs <sup>1</sup>									
	D	$\bar{S}$	$\bar{E}^2$	D0 <sup>3</sup>	Q7	Q6	Q5	Q4	Q3	Q2	Q1	Q0	$Q_{CC}$
0	X	L	L	X	X	X	X	X	X	X	X	X	X
1	D7	H	L	X	L	H	H	H	H	H	H	H	H
2	D6	H	L	D7	D7	L	H	H	H	H	H	H	H
3	D5	H	L	D6	D7	D6	L	H	H	H	H	H	H
4	D4	H	L	D5	D7	D6	D5	L	H	H	H	H	H
5	D3	H	L	D4	D7	D6	D5	D4	L	H	H	H	H
6	D2	H	L	D3	D7	D6	D5	D4	D3	L	H	H	H
7	D1	H	L	D2	D7	D6	D5	D4	D3	D2	L	H	H
8	D0	H	L	D1	D7	D6	D5	D4	D3	D2	D1	L	H
9	X	H	L	D0	D7	D6	D5	D4	D3	D2	D1	D0	L
10	X	X	L	X	D7	D6	D5	D4	D3	D2	D1	D0	L
	X	X	H	X	H	NC	NC	NC	NC	NC	NC	NC	NC

**Note 1:** Truth table for DM2504 is extended to include 12 outputs.

**Note 2:** Truth table for DM2502 does not include  $\bar{E}$  column or last line in truth table shown.

**Note 3:** Truth table for DM2503 does not include D0 column.

H = High Voltage Level

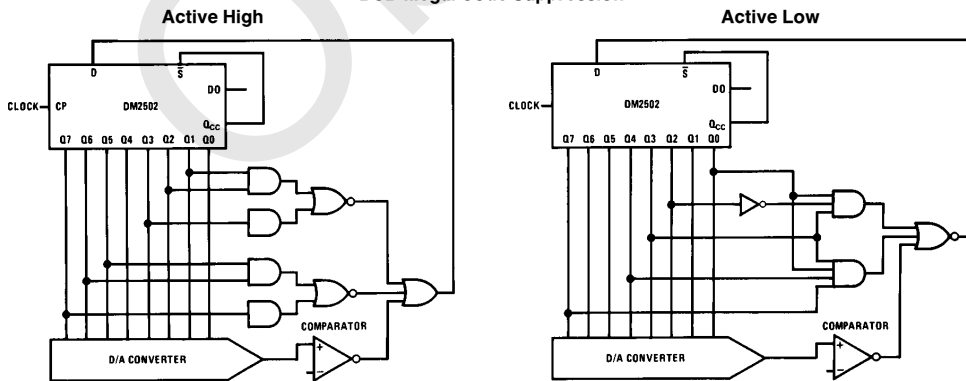
L = Low Voltage Level

X = Don't Care

NC = No Change

## Typical Applications

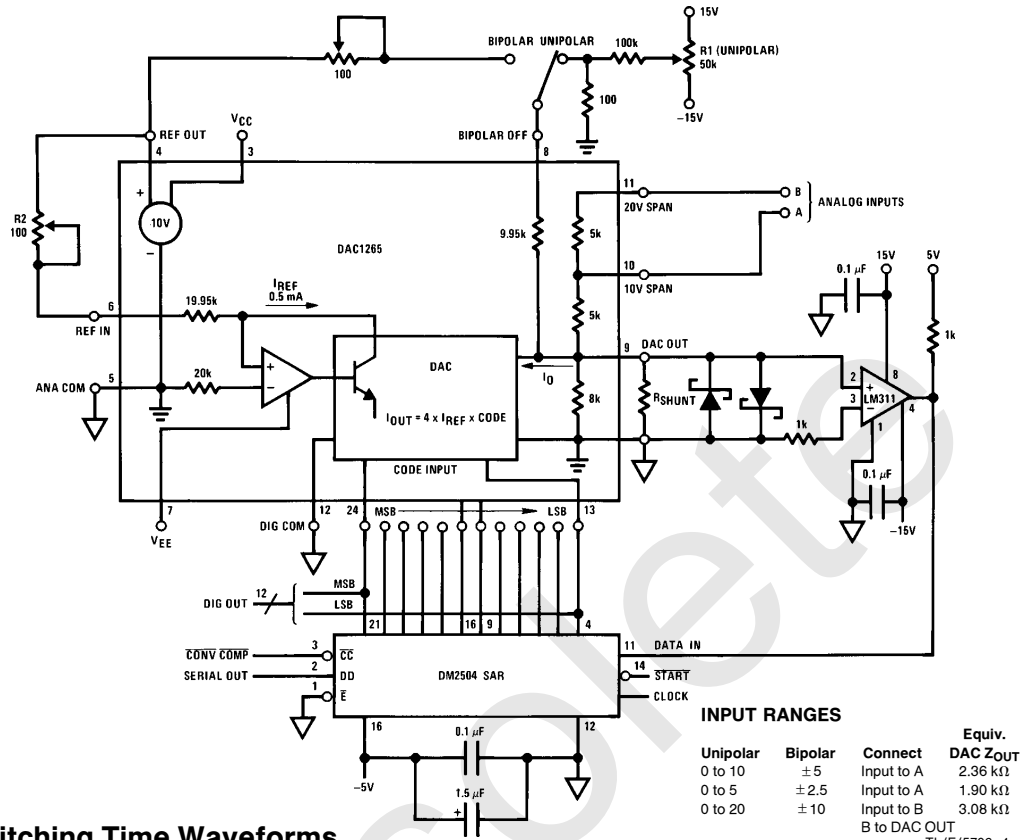
### BCD Illegal Code Suppression



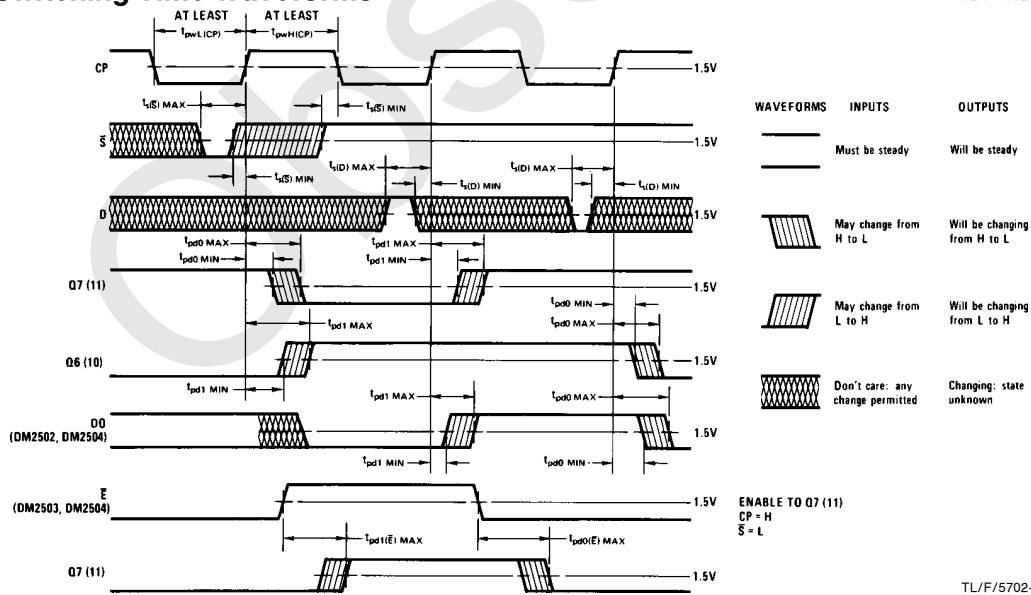
TL/F/5702-3

# Typical Applications (Continued)

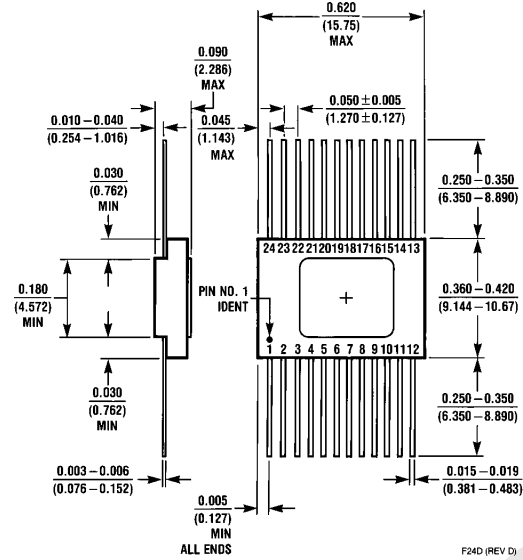
## Fast Precision Analog-to-Digital Converter



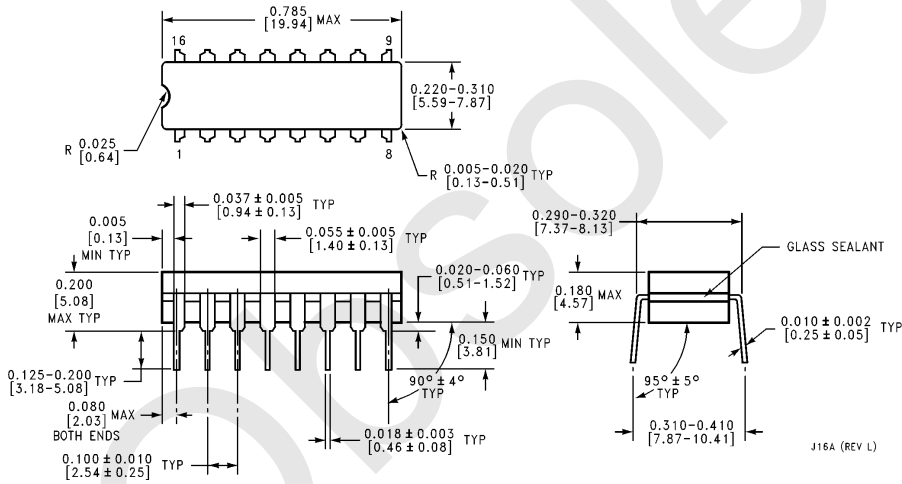
## Switching Time Waveforms



**Physical Dimensions** inches (millimeters)

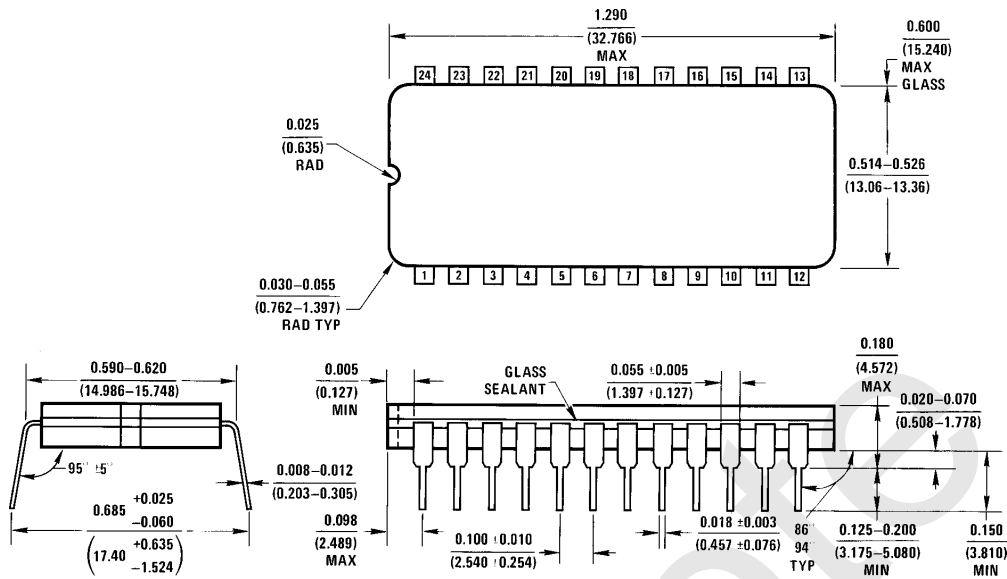


**Order Number DM2504F or DM2504CF**  
**NS Package Number F24D**



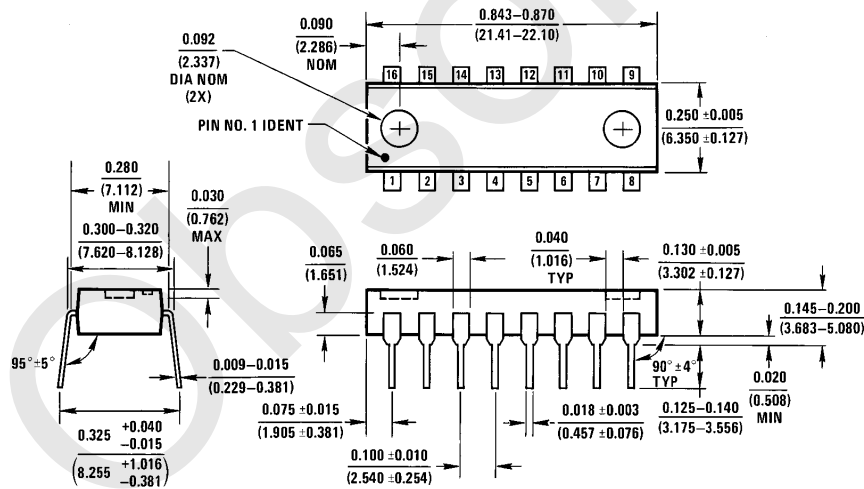
**Order Number DM2502J, DM2502CJ, DM2503J or DM2503CJ**  
**NS Package Number J16A**

**Physical Dimensions** inches (millimeters) (Continued)



J24A (REV H)

**Order Number DM2504J or DM2504CJ**  
**NS Package Number J24A**

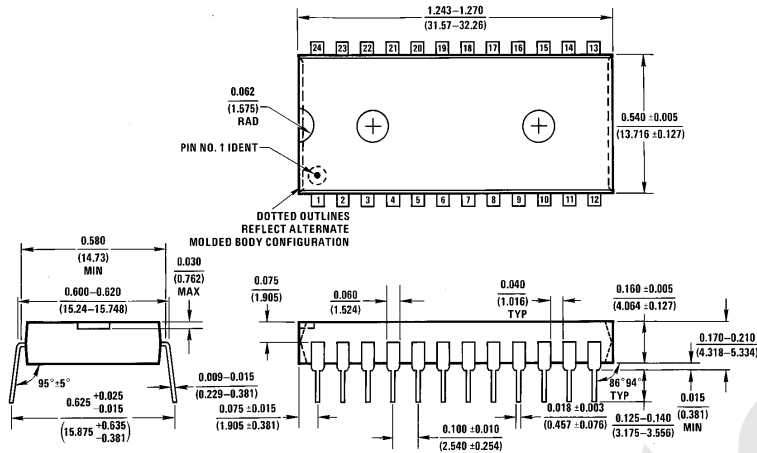


N16A (REV E)

**Order Number DM2502CM or DM2503CN**  
**NS Package Number N16A**

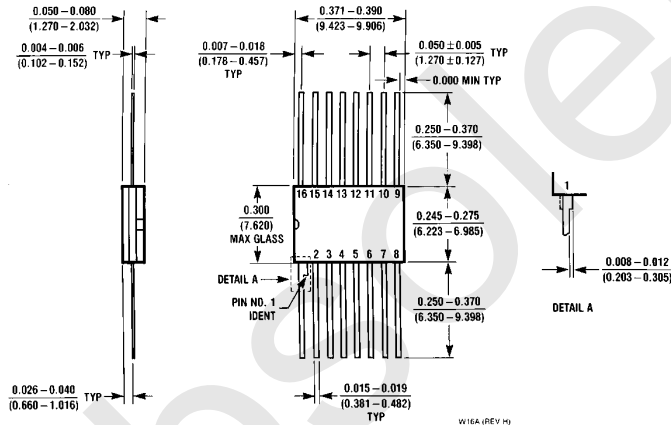


**Physical Dimensions** inches (millimeters) (Continued)



**Order Number DM2504CN**  
**NS Package Number N24A**

N24A (REV D)



**Order Number DM2502W, DM2502CW, DM2503W, or DM2503CW**  
**NS Package Number W16A**

**LIFE SUPPORT POLICY**

NATIONAL'S PRODUCTS ARE NOT AUTHORIZED FOR USE AS CRITICAL COMPONENTS IN LIFE SUPPORT DEVICES OR SYSTEMS WITHOUT THE EXPRESS WRITTEN APPROVAL OF THE PRESIDENT OF NATIONAL SEMICONDUCTOR CORPORATION. As used herein:

1. Life support devices or systems are devices or systems which, (a) are intended for surgical implant into the body, or (b) support or sustain life, and whose failure to perform, when properly used in accordance with instructions for use provided in the labeling, can be reasonably expected to result in a significant injury to the user.
2. A critical component is any component of a life support device or system whose failure to perform can be reasonably expected to cause the failure of the life support device or system, or to affect its safety or effectiveness.



**National Semiconductor Corporation**  
1111 West Bardin Road  
Arlington, TX 76017  
Tel: 1(800) 272-9959  
Fax: 1(800) 737-7018

**National Semiconductor Europe**  
Fax: (+49) 0-180-530 85 86  
Email: onjwge@tevm2.nsc.com  
Deutsch Tel: (+49) 0-180-530 85 85  
English Tel: (+49) 0-180-532 78 32  
Français Tel: (+49) 0-180-532 93 58  
Italiano Tel: (+49) 0-180-534 16 80

**National Semiconductor Hong Kong Ltd.**  
19th Floor, Straight Block,  
Ocean Centre, 5 Canton Rd.  
Tsimshatsui, Kowloon  
Hong Kong  
Tel: (852) 2737-1600  
Fax: (852) 2736-9960

**National Semiconductor Japan Ltd.**  
Tel: 81-043-299-2309  
Fax: 81-043-299-2408

National does not assume any responsibility for use of any circuitry described, no circuit patent licenses are implied and National reserves the right at any time without notice to change said circuitry and specifications.

## IMPORTANT NOTICE

Texas Instruments Incorporated and its subsidiaries (TI) reserve the right to make corrections, modifications, enhancements, improvements, and other changes to its products and services at any time and to discontinue any product or service without notice. Customers should obtain the latest relevant information before placing orders and should verify that such information is current and complete. All products are sold subject to TI's terms and conditions of sale supplied at the time of order acknowledgment.

TI warrants performance of its hardware products to the specifications applicable at the time of sale in accordance with TI's standard warranty. Testing and other quality control techniques are used to the extent TI deems necessary to support this warranty. Except where mandated by government requirements, testing of all parameters of each product is not necessarily performed.

TI assumes no liability for applications assistance or customer product design. Customers are responsible for their products and applications using TI components. To minimize the risks associated with customer products and applications, customers should provide adequate design and operating safeguards.

TI does not warrant or represent that any license, either express or implied, is granted under any TI patent right, copyright, mask work right, or other TI intellectual property right relating to any combination, machine, or process in which TI products or services are used. Information published by TI regarding third-party products or services does not constitute a license from TI to use such products or services or a warranty or endorsement thereof. Use of such information may require a license from a third party under the patents or other intellectual property of the third party, or a license from TI under the patents or other intellectual property of TI.

Reproduction of TI information in TI data books or data sheets is permissible only if reproduction is without alteration and is accompanied by all associated warranties, conditions, limitations, and notices. Reproduction of this information with alteration is an unfair and deceptive business practice. TI is not responsible or liable for such altered documentation. Information of third parties may be subject to additional restrictions.

Resale of TI products or services with statements different from or beyond the parameters stated by TI for that product or service voids all express and any implied warranties for the associated TI product or service and is an unfair and deceptive business practice. TI is not responsible or liable for any such statements.

TI products are not authorized for use in safety-critical applications (such as life support) where a failure of the TI product would reasonably be expected to cause severe personal injury or death, unless officers of the parties have executed an agreement specifically governing such use. Buyers represent that they have all necessary expertise in the safety and regulatory ramifications of their applications, and acknowledge and agree that they are solely responsible for all legal, regulatory and safety-related requirements concerning their products and any use of TI products in such safety-critical applications, notwithstanding any applications-related information or support that may be provided by TI. Further, Buyers must fully indemnify TI and its representatives against any damages arising out of the use of TI products in such safety-critical applications.

TI products are neither designed nor intended for use in military/aerospace applications or environments unless the TI products are specifically designated by TI as military-grade or "enhanced plastic." Only products designated by TI as military-grade meet military specifications. Buyers acknowledge and agree that any such use of TI products which TI has not designated as military-grade is solely at the Buyer's risk, and that they are solely responsible for compliance with all legal and regulatory requirements in connection with such use.

TI products are neither designed nor intended for use in automotive applications or environments unless the specific TI products are designated by TI as compliant with ISO/TS 16949 requirements. Buyers acknowledge and agree that, if they use any non-designated products in automotive applications, TI will not be responsible for any failure to meet such requirements.

Following are URLs where you can obtain information on other Texas Instruments products and application solutions:

### Products

Audio	<a href="http://www.ti.com/audio">www.ti.com/audio</a>
Amplifiers	<a href="http://amplifier.ti.com">amplifier.ti.com</a>
Data Converters	<a href="http://dataconverter.ti.com">dataconverter.ti.com</a>
DLP® Products	<a href="http://www.dlp.com">www.dlp.com</a>
DSP	<a href="http://dsp.ti.com">dsp.ti.com</a>
Clocks and Timers	<a href="http://www.ti.com/clocks">www.ti.com/clocks</a>
Interface	<a href="http://interface.ti.com">interface.ti.com</a>
Logic	<a href="http://logic.ti.com">logic.ti.com</a>
Power Mgmt	<a href="http://power.ti.com">power.ti.com</a>
Microcontrollers	<a href="http://microcontroller.ti.com">microcontroller.ti.com</a>
RFID	<a href="http://www.ti-rfid.com">www.ti-rfid.com</a>
OMAP Mobile Processors	<a href="http://www.ti.com/omap">www.ti.com/omap</a>
Wireless Connectivity	<a href="http://www.ti.com/wirelessconnectivity">www.ti.com/wirelessconnectivity</a>

### Applications

Communications and Telecom	<a href="http://www.ti.com/communications">www.ti.com/communications</a>
Computers and Peripherals	<a href="http://www.ti.com/computers">www.ti.com/computers</a>
Consumer Electronics	<a href="http://www.ti.com/consumer-apps">www.ti.com/consumer-apps</a>
Energy and Lighting	<a href="http://www.ti.com/energy">www.ti.com/energy</a>
Industrial	<a href="http://www.ti.com/industrial">www.ti.com/industrial</a>
Medical	<a href="http://www.ti.com/medical">www.ti.com/medical</a>
Security	<a href="http://www.ti.com/security">www.ti.com/security</a>
Space, Avionics and Defense	<a href="http://www.ti.com/space-avionics-defense">www.ti.com/space-avionics-defense</a>
Transportation and Automotive	<a href="http://www.ti.com/automotive">www.ti.com/automotive</a>
Video and Imaging	<a href="http://www.ti.com/video">www.ti.com/video</a>

TI E2E Community Home Page

[e2e.ti.com](http://e2e.ti.com)

Mailing Address: Texas Instruments, Post Office Box 655303, Dallas, Texas 75265  
Copyright © 2011, Texas Instruments Incorporated