

# DS26S10

*DS26S10 Quad Bus Transceiver*



Literature Number: SNOSBL4

## DS26S10 Quad Bus Transceiver

### General Description

The DS26S10 is a quad Bus Transceiver consisting of 4 high speed bus drivers with open-collector outputs capable of sinking 100 mA at 0.8V and 4 high speed bus receivers. Each driver output is connected internally to the high speed bus receiver in addition to being connected to the package pin. The receiver has a Schottky TTL output capable of driving 10 Schottky TTL unit loads.

An active low enable gate controls the 4 drivers so that outputs of different device drivers can be connected together for party-line operation.

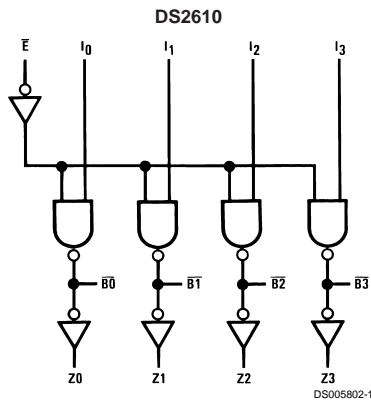
The bus output high-drive capability in the low state allows party-line operation with a line impedance as low as 100Ω. The line can be terminated at both ends, and still give considerable noise margin at the receiver. The receiver typical switching point is 2V.

The DS26S10 features advanced Schottky processing to minimize propagation delay. The device package also has 2 ground pins to improve ground current handling and allow close decoupling between  $V_{CC}$  and ground at the package. Both GND 1 and GND 2 should be tied to the ground bus external to the device package.

### Features

- Input to bus is inverting on DS26S10
- Quad high speed open-collector bus transceivers
- Driver outputs can sink 100 mA at 0.8V maximum
- Advanced Schottky processing
- PNP inputs to reduce input loading

### Logic Diagrams



## Absolute Maximum Ratings (Note \*NO

TARGET FOR FNXref NS859\*)

If Military/Aerospace specified devices are required, please contact the National Semiconductor Sales Office/ Distributors for availability and specifications.

Storage Temperature	-65°C to +150°C
Temperature (Ambient) Under Bias	-55°C to +125°C
Supply Voltage to Ground Potential	-0.5V to +7V
DC Voltage Applied to Outputs for High Output State	-0.5V to +V <sub>CC</sub> Max
DC Input Voltage	-0.5V to +5.5V
Output Current, Into Bus	200 mA
Output Current, Into Outputs (Except Bus)	30 mA

DC Input Current	-30 mA to +5 mA
Maximum Power Dissipation (Note 1) at 25°C	
Molded Package	1362 mW

## Operating Conditions

	Min	Max	Units
Supply Voltage (V <sub>CC</sub> )			
DS26S10	4.75	5.25	V
Temperature (T <sub>A</sub> )			
DS26S10	0	+70	°C

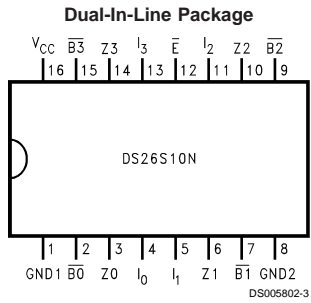
Note 1: Derate cavity package 9.6 mW/°C above 25°C; derate molded package 10.9 mW/°C above 25°C, derate PLCC package TBD mW/°C above 25°C.

## Electrical Characteristics

(Unless otherwise noted)

Symbol	Parameter	Conditions		Min	Typ (Note 3)	Max	Units
		(Note 2)					
V <sub>OH</sub>	Output High Voltage (Receiver Outputs)	V <sub>CC</sub> = Min, I <sub>OH</sub> = -1 mA,	Military	2.5	3.4		V
		V <sub>IN</sub> = V <sub>IL</sub> or V <sub>IH</sub>	Commercial	2.7	3.4		V
V <sub>OL</sub>	Output Low Voltage (Receiver Outputs)	V <sub>CC</sub> = Min, I <sub>OL</sub> = 20 mA, V <sub>IN</sub> = V <sub>IL</sub> or V <sub>IH</sub>				0.5	V
V <sub>IH</sub>	Input High Level (Except Bus)	Guaranteed Input Logical High for All Inputs		2.0			V
V <sub>IL</sub>	Input Low Level (Except Bus)	Guaranteed Input Logical Low for All Inputs				0.8	V
V <sub>I</sub>	Input Clamp Voltage (Except Bus)	V <sub>CC</sub> = Min, I <sub>IN</sub> = -18 mA				-1.2	V
I <sub>IL</sub>	Input Low Current (Except Bus)	V <sub>CC</sub> = Max, V <sub>IN</sub> = 0.4V	Enable			-0.36	mA
			Data			-0.54	mA
I <sub>IH</sub>	Input High Current (Except Bus)	V <sub>CC</sub> = Max, V <sub>IN</sub> = 2.7V	Enable			20	µA
			Data			30	µA
I <sub>I</sub>	Input High Current (Except Bus)	V <sub>CC</sub> = Max, V <sub>IN</sub> = 5.5V				100	µA
I <sub>SC</sub>	Output Short-Circuit Current (Except Bus)	V <sub>CC</sub> = Max, (Note 4)	Military	-20		-55	mA
			Commercial	-18		-60	mA
I <sub>CCL</sub>	Power Supply Current (All Bus Outputs Low)	V <sub>CC</sub> = Max, Enable = GND	DS26S10		45	70	mA
			DS26S11			80	mA

## Connection Diagram



**Top View**  
**Order Number DS26S10N**  
**See NS Package Number N16A**  
**Plastic Chip Carrier**

## Bus Input/Output Characteristics

Symbol	Parameter	Conditions (Note 2)		Min	Typ(Note 3)	Max	Units
$V_{OL}$	Output Low Voltage	$V_{CC} = \text{Min}$	$I_{OL} = 40 \text{ mA}$		0.33	0.5	V
			$I_{OL} = 70 \text{ mA}$		0.42	0.05	
			$I_{OL} = 100 \text{ mA}$		0.51	0.8	
$I_O$	Bus Leakage Current	$V_{CC} = \text{Max}$	$V_O = 0.8\text{V}$			-50	$\mu\text{A}$
			$V_O = 4.5\text{V}$			100	
$I_{OFF}$	Bus Leakage Current (power OFF)	$V_O = 4.5\text{V}$				100	$\mu\text{A}$
$V_{TH}$	Receiver Input High Threshold	Bus enable = 2.4V $V_{CC} = \text{Max}$		2.25	2.0		V
$V_{TL}$	Receiver Input Low Threshold	Bus enable = 2.4V $V_{CC} = \text{Min}$			2.0	1.75	

**Note 2:** For conditions shown as min or max, use the appropriate value specified under Electrical Characteristics for the applicable device type.

**Note 3:** Typical limits are at  $V_{CC} = 5\text{V}$ , 25°C ambient and maximum loading.

**Note 4:** Not more than one output should be shorted at a time. Duration of the short circuit test should not exceed one second.

## Switching Characteristics

( $T_A = 25^\circ\text{C}$ ,  $V_{CC} = 5\text{V}$ )

Symbol	Parameter	Conditions		Min	Typ	Max	Units
$t_{PLH}$	Data Input to Bus	$R_B = 50\Omega$ , $C_B = 50 \text{ pF}$ (Note 5)	DS26S10		10	15	ns
$t_{PHL}$	Data Input to Bus				10	15	ns
$t_{PLH}$	Enable Input to Bus	$R_B = 50\Omega$ , $C_B = 50 \text{ pF}$ (Note 5)	DS26S10		14	18	ns
$t_{PHL}$	Enable Input to Bus				13	18	ns
$t_{PLH}$	Bus to Receiver Out	$R_B = 50\Omega$ , $R_L = 280\Omega$ , $C_B = 50 \text{ pF}$ (Note 5) $C_L = 15 \text{ pF}$			10	15	ns
$t_{PHL}$	Bus to Receiver Out				10	15	ns
$t_r$	Bus	$R_B = 50\Omega$ , $C_B = 50 \text{ pF}$ (Note 5)		4.0	10		ns
$t_f$	Bus			2.0	4.0		ns

**Note 5:** Includes probe and jig capacitance.

## Truth Tables

### DS26S10

Inputs		Outputs	
$\bar{E}$	I	$\bar{B}$	Z
L	L	H	L
L	H	L	H
H	X	Y	$\bar{Y}$

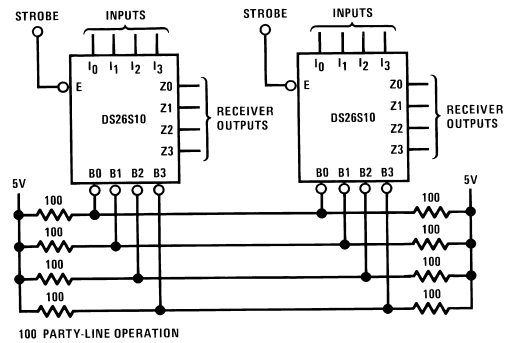
H = High voltage level

L = Low voltage level

X = Don't care

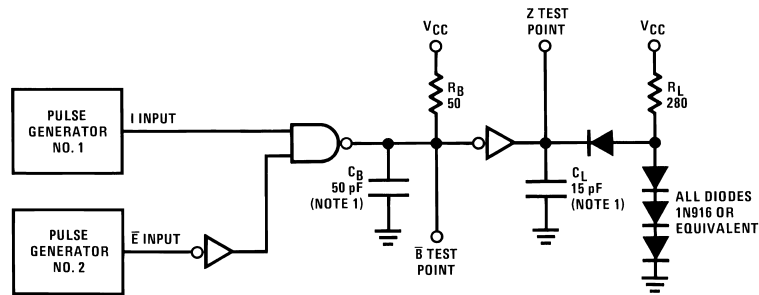
Y = Voltage level of bus (assumes control by another bus transceiver)

## Typical Application



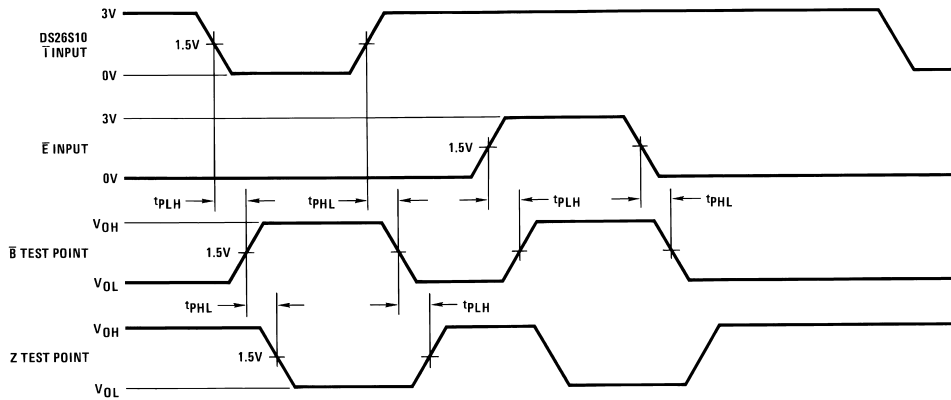
DS005802-5

## AC Test Circuit and Switching Time Waveforms



DS005802-6

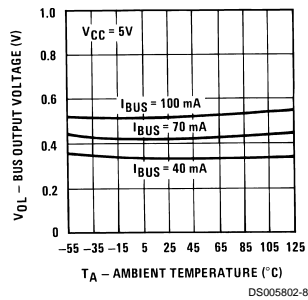
Note 1: Includes probe and jig capacitance.



DS005802-7

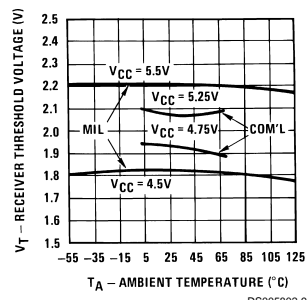
## Typical Performance Characteristics

Typical Bus Output Low Voltage vs Ambient Temperature



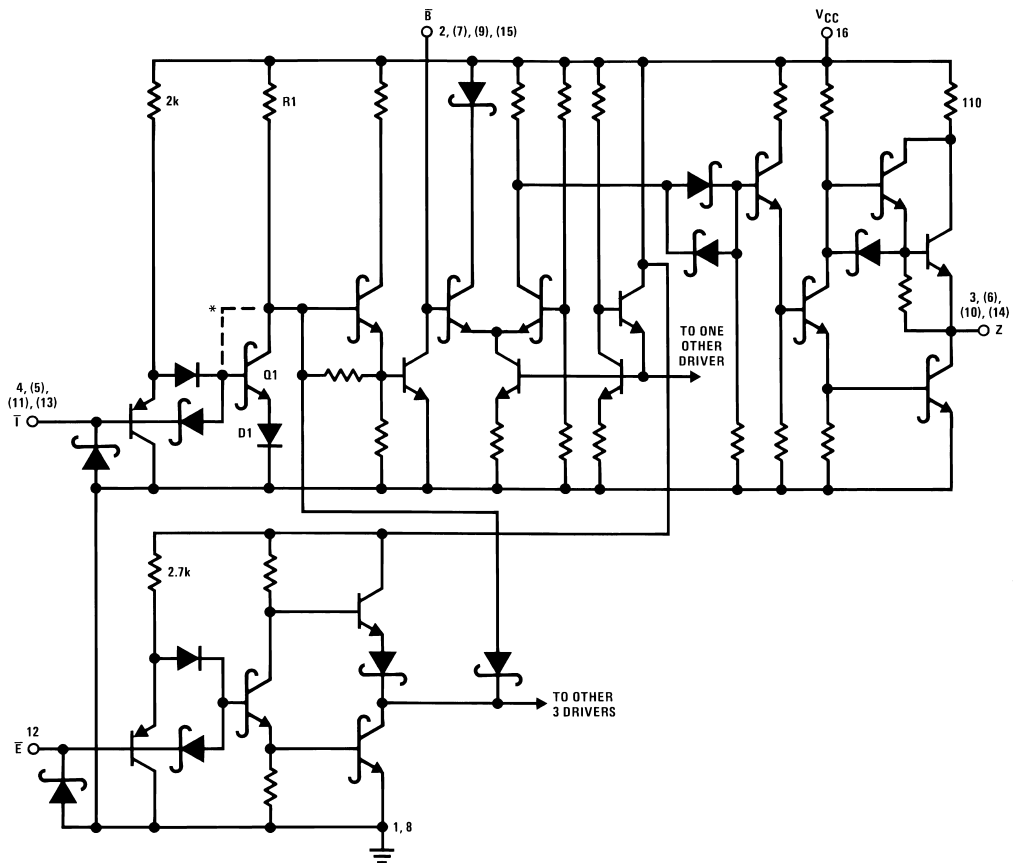
DS005802-8

Receiver Threshold Variation vs Ambient Temperature



DS005802-9

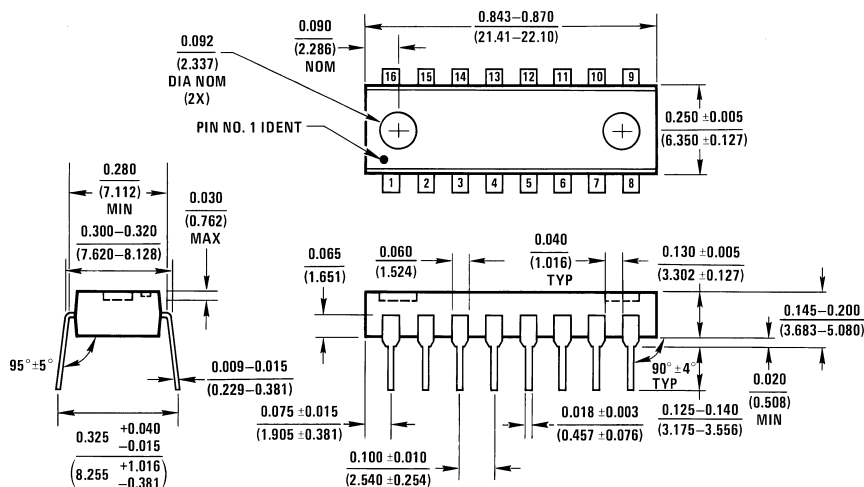
## Schematic Diagram



DS005802-10

VCC = Pin 16  
 GND 1 = Pin 1  
 GND 2 = Pin 8  
 Connect for DS26S10  
 \*Remove R1, Q1, D1 for DS26S10

**Physical Dimensions** inches (millimeters) unless otherwise noted



N16A (REV E)

**Molded Dual-In-Line Package (N)**  
**Order Number DS26S10N**  
**NS Package Number N16A**

**LIFE SUPPORT POLICY**

NATIONAL'S PRODUCTS ARE NOT AUTHORIZED FOR USE AS CRITICAL COMPONENTS IN LIFE SUPPORT DEVICES OR SYSTEMS WITHOUT THE EXPRESS WRITTEN APPROVAL OF THE PRESIDENT AND GENERAL COUNSEL OF NATIONAL SEMICONDUCTOR CORPORATION. As used herein:

1. Life support devices or systems are devices or systems which, (a) are intended for surgical implant into the body, or (b) support or sustain life, and whose failure to perform when properly used in accordance with instructions for use provided in the labeling, can be reasonably expected to result in a significant injury to the user.
2. A critical component is any component of a life support device or system whose failure to perform can be reasonably expected to cause the failure of the life support device or system, or to affect its safety or effectiveness.



**National Semiconductor Corporation**  
 Americas  
 Tel: 1-800-272-9959  
 Fax: 1-800-737-7018  
 Email: support@nsc.com

**National Semiconductor Europe**  
 Fax: +49 (0) 1 80-530 85 86  
 Email: europe.support@nsc.com  
 Deutsch Tel: +49 (0) 1 80-530 85 85  
 English Tel: +49 (0) 1 80-532 78 32  
 Français Tel: +49 (0) 1 80-532 93 58  
 Italiano Tel: +49 (0) 1 80-534 16 80

**National Semiconductor Asia Pacific Customer Response Group**  
 Tel: 65-2544466  
 Fax: 65-2504466  
 Email: sea.support@nsc.com

**National Semiconductor Japan Ltd.**  
 Tel: 81-3-5639-7560  
 Fax: 81-3-5639-7507

www.national.com



## IMPORTANT NOTICE

Texas Instruments Incorporated and its subsidiaries (TI) reserve the right to make corrections, modifications, enhancements, improvements, and other changes to its products and services at any time and to discontinue any product or service without notice. Customers should obtain the latest relevant information before placing orders and should verify that such information is current and complete. All products are sold subject to TI's terms and conditions of sale supplied at the time of order acknowledgment.

TI warrants performance of its hardware products to the specifications applicable at the time of sale in accordance with TI's standard warranty. Testing and other quality control techniques are used to the extent TI deems necessary to support this warranty. Except where mandated by government requirements, testing of all parameters of each product is not necessarily performed.

TI assumes no liability for applications assistance or customer product design. Customers are responsible for their products and applications using TI components. To minimize the risks associated with customer products and applications, customers should provide adequate design and operating safeguards.

TI does not warrant or represent that any license, either express or implied, is granted under any TI patent right, copyright, mask work right, or other TI intellectual property right relating to any combination, machine, or process in which TI products or services are used. Information published by TI regarding third-party products or services does not constitute a license from TI to use such products or services or a warranty or endorsement thereof. Use of such information may require a license from a third party under the patents or other intellectual property of the third party, or a license from TI under the patents or other intellectual property of TI.

Reproduction of TI information in TI data books or data sheets is permissible only if reproduction is without alteration and is accompanied by all associated warranties, conditions, limitations, and notices. Reproduction of this information with alteration is an unfair and deceptive business practice. TI is not responsible or liable for such altered documentation. Information of third parties may be subject to additional restrictions.

Resale of TI products or services with statements different from or beyond the parameters stated by TI for that product or service voids all express and any implied warranties for the associated TI product or service and is an unfair and deceptive business practice. TI is not responsible or liable for any such statements.

TI products are not authorized for use in safety-critical applications (such as life support) where a failure of the TI product would reasonably be expected to cause severe personal injury or death, unless officers of the parties have executed an agreement specifically governing such use. Buyers represent that they have all necessary expertise in the safety and regulatory ramifications of their applications, and acknowledge and agree that they are solely responsible for all legal, regulatory and safety-related requirements concerning their products and any use of TI products in such safety-critical applications, notwithstanding any applications-related information or support that may be provided by TI. Further, Buyers must fully indemnify TI and its representatives against any damages arising out of the use of TI products in such safety-critical applications.

TI products are neither designed nor intended for use in military/aerospace applications or environments unless the TI products are specifically designated by TI as military-grade or "enhanced plastic." Only products designated by TI as military-grade meet military specifications. Buyers acknowledge and agree that any such use of TI products which TI has not designated as military-grade is solely at the Buyer's risk, and that they are solely responsible for compliance with all legal and regulatory requirements in connection with such use.

TI products are neither designed nor intended for use in automotive applications or environments unless the specific TI products are designated by TI as compliant with ISO/TS 16949 requirements. Buyers acknowledge and agree that, if they use any non-designated products in automotive applications, TI will not be responsible for any failure to meet such requirements.

Following are URLs where you can obtain information on other Texas Instruments products and application solutions:

### Products

Audio	<a href="http://www.ti.com/audio">www.ti.com/audio</a>
Amplifiers	<a href="http://amplifier.ti.com">amplifier.ti.com</a>
Data Converters	<a href="http://dataconverter.ti.com">dataconverter.ti.com</a>
DLP® Products	<a href="http://www.dlp.com">www.dlp.com</a>
DSP	<a href="http://dsp.ti.com">dsp.ti.com</a>
Clocks and Timers	<a href="http://www.ti.com/clocks">www.ti.com/clocks</a>
Interface	<a href="http://interface.ti.com">interface.ti.com</a>
Logic	<a href="http://logic.ti.com">logic.ti.com</a>
Power Mgmt	<a href="http://power.ti.com">power.ti.com</a>
Microcontrollers	<a href="http://microcontroller.ti.com">microcontroller.ti.com</a>
RFID	<a href="http://www.ti-rfid.com">www.ti-rfid.com</a>
OMAP Mobile Processors	<a href="http://www.ti.com/omap">www.ti.com/omap</a>
Wireless Connectivity	<a href="http://www.ti.com/wirelessconnectivity">www.ti.com/wirelessconnectivity</a>

### Applications

Communications and Telecom	<a href="http://www.ti.com/communications">www.ti.com/communications</a>
Computers and Peripherals	<a href="http://www.ti.com/computers">www.ti.com/computers</a>
Consumer Electronics	<a href="http://www.ti.com/consumer-apps">www.ti.com/consumer-apps</a>
Energy and Lighting	<a href="http://www.ti.com/energy">www.ti.com/energy</a>
Industrial	<a href="http://www.ti.com/industrial">www.ti.com/industrial</a>
Medical	<a href="http://www.ti.com/medical">www.ti.com/medical</a>
Security	<a href="http://www.ti.com/security">www.ti.com/security</a>
Space, Avionics and Defense	<a href="http://www.ti.com/space-avionics-defense">www.ti.com/space-avionics-defense</a>
Transportation and Automotive	<a href="http://www.ti.com/automotive">www.ti.com/automotive</a>
Video and Imaging	<a href="http://www.ti.com/video">www.ti.com/video</a>

TI E2E Community Home Page

[e2e.ti.com](http://e2e.ti.com)

Mailing Address: Texas Instruments, Post Office Box 655303, Dallas, Texas 75265  
Copyright © 2011, Texas Instruments Incorporated