

# DS75160A,DS75161A

*DS75160A/DS75161A IEEE-488 GPIB Transceivers*



Literature Number: SNOSBL5A

# DS75160A/DS75161A

## IEEE-488 GPIB Transceivers

### General Description

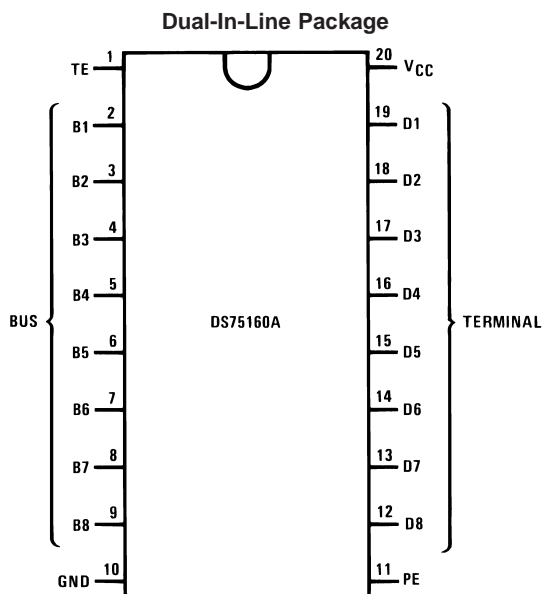
This family of high-speed-Schottky 8-channel bi-directional transceivers is designed to interface TTL/MOS logic to the IEEE Standard 488-1978 General Purpose Interface Bus (GPIB). PNP inputs are used at all driver inputs for minimum loading, and hysteresis is provided at all receiver inputs for added noise margin. The IEEE-488 required bus termination is provided internally with an active turn-off feature which disconnects the termination from the bus when  $V_{CC}$  is removed.

The General Purpose Interface Bus is comprised of 16 signal lines — 8 for data and 8 for interface management. The data lines are always implemented with DS75160A, and the management lines are either implemented with DS75161A in a single-controller system.

### Features

- 8-channel bi-directional non-inverting transceivers
- Bi-directional control implemented with TRI-STATE® output design
- Meets IEEE Standard 488-1978
- High-speed Schottky design
- Low power consumption
- High impedance PNP inputs (drivers)
- 500 mV (typ) input hysteresis (receivers)
- On-chip bus terminators
- No bus loading when  $V_{CC}$  is removed
- Pin selectable open collector mode on DS75160A driver outputs
- Accommodates multi-controller systems

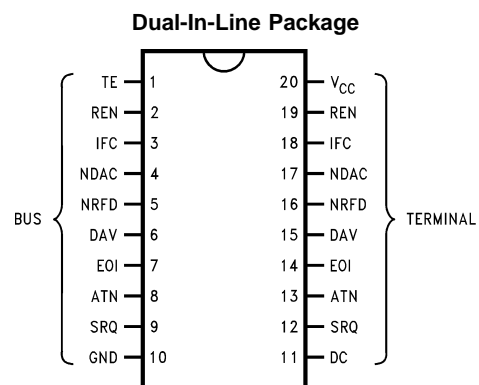
### Connection Diagrams



DS005804-1

#### Top View

Order Number **DS75160AN** or **DS75160AWM**  
See NS Package Number **M20B** or **N20A**



Order Number **DS75161AN** or **DS75161AWM**  
See NS Package Number **M20B** or **N20B**

**Absolute Maximum Ratings** (Note 2)

Molded Package

1897 mW

If Military/Aerospace specified devices are required, please contact the National Semiconductor Sales Office/Distributors for availability and specifications.

Supply Voltage, $V_{CC}$	7.0V
Input Voltage	5.5V
Storage Temperature Range	-65°C to +150°C
Lead Temperature (Soldering, 4 sec.)	260°C
Maximum Power Dissipation (Note 1) at 25°C	

	Min	Max	Units
$V_{CC}$ , Supply Voltage	4.75	5.25	V
$T_A$ , Ambient Temperature	0	70	°C
$I_{OL}$ , Output Low Current			
Bus		48	mA
Terminal		16	mA

Note 1: Derate molded package 15.2 mW/°C above 25°C.

**Electrical Characteristics** (Notes 3, 4)

Symbol	Parameter		Conditions	Min	Typ	Max	Units	
$V_{IH}$	High-Level Input Voltage			2			V	
$V_{IL}$	Low-Level Input Voltage					0.8	V	
$V_{IK}$	Input Clamp Voltage		$I_I = -18$ mA		-0.8	-1.5	V	
$V_{HYS}$	Input Hysteresis	Bus		400	500		mV	
$V_{OH}$	High-Level Output Voltage	Terminal	$I_{OH} = -800$ $\mu$ A	2.7	3.5		V	
		Bus (Note 4)	$I_{OH} = -5.2$ mA	2.5	3.4			
$V_{OL}$	Low-Level Output Voltage	Terminal	$I_{OL} = 16$ mA		0.3	0.5	V	
		Bus	$I_{OH} = 48$ mA		0.4	0.5		
$I_{IH}$	High-Level Input Current	Terminal and TE, PE, DC, SC Inputs	$V_I = 5.5$ V		0.2	100	$\mu$ A	
			$V_I = 2.7$ V		0.1	20		
$I_{IL}$	Low-Level Input Current		$V_I = 0.5$ V		-10	-100	$\mu$ A	
$V_{BIAS}$	Terminator Bias Voltage at Bus Port		Driver Disabled	$I_{I(bus)} = 0$ (No Load)	2.5	3.0	3.7	V
$I_{LOAD}$	Terminator Bus Loading Current	Bus	Driver Disabled	$V_{I(bus)} = -1.5$ V to 0.4V	-1.3			mA
				$V_{I(bus)} = 0.4$ V to 2.5V	0		-3.2	
				$V_{I(bus)} = 2.5$ V to 3.7V			2.5	
				$V_{I(bus)} = 3.7$ V to 5V	0		2.5	
				$V_{I(bus)} = 5$ V to 5.5V	0.7		2.5	
			$V_{CC} = 0$ V, $V_{I(bus)} = 0$ V to 2.5V			40	$\mu$ A	
$I_{OS}$	Short-Circuit Output Current	Terminal	$V_I = 2$ V, $V_O = 0$ V (Note 5)	-15	-35	-75	mA	
		Bus (Note 6)		-35	-75	-150		
$I_{CC}$	Supply Current	DS75160A	Transmit, TE = 2V, PE = 2V, $V_I = 0.8$ V		85	125	mA	
			Receive, TE = 0.8V, PE = 2V, $V_I = 0.8$ V		70	100		
		DS75161A	TE = 0.8V, DC = 0.8V, $V_I = 0.8$ V		84	125		
$C_{IN}$	Bus-Port Capacitance	Bus	$V_{CC} = 5$ V or 0V, $V_I = 0$ V to 2V, $f = 1$ MHz		20	30	pF	

Note 2: "Absolute Maximum Ratings" are those values beyond which the safety of the device cannot be guaranteed. They are not meant to imply that the device should be operated at these limits. The table of "Electrical Characteristics" provides conditions for actual device operation.

Note 3: Unless otherwise specified, min/max limits apply across the 0°C to +70°C temperature range and the 4.75V to 5.25V power supply range. All typical values are for  $T_A = 25$ °C and  $V_{CC} = 5.0$ V.

Note 4: All currents into device pins are shown as positive; all currents out of device pins are shown as negative; all voltages are referenced to ground, unless otherwise specified. All values shown as max or min are so classified on absolute value basis.

Note 5: Only one output at a time should be shorted.

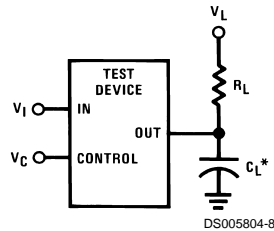
Note 6: This characteristic does not apply to outputs on DS75161A that are open collector.

**Switching Characteristics** (Note 7) $V_{CC} = 5.0V \pm 5\%$ ,  $T_A = 0^\circ C$  to  $70^\circ C$ 

Symbol	Parameter	From	To	Conditions	DS75160A			DS75161A			DS75162A			Units	
					Min	Typ	Max	Min	Typ	Max	Min	Typ	Max		
$t_{PLH}$	Propagation Delay Time, Low to High Level Output	Terminal	Bus	$V_L = 2.3V$ $R_L = 38.3\Omega$ $C_L = 30 pF$ <i>Figure 1</i>		10	20		10	20		10	20	ns	
$t_{PHL}$	Propagation Delay Time, High to Low Level Output					14	20		14	20		14	20	ns	
$t_{PLH}$	Propagation Delay Time, Low to High Level Output	Bus	Terminal	$V_L = 5.0V$ $R_L = 240\Omega$ $C_L = 30 pF$ <i>Figure 2</i>		14	20		14	20		14	20	ns	
$t_{PHL}$	Propagation Delay Time, High to Low Level Output					10	20		10	20		10	20	ns	
$t_{PZH}$	Output Enable Time to High Level	TE, DC, or SC	Bus	$V_I = 3.0V$ $V_L = 0V$ $R_L = 480\Omega$ $C_L = 15 pF$ <i>Figure 1</i>		19	32		23	40		23	40	ns	
$t_{PHZ}$	Output Disable Time From High Level					15	22		15	25		15	25	ns	
$t_{PZL}$	Output Enable Time to Low Level				(Note 8) (Note 9)		24	35		28	48		28	48	ns
$t_{PLZ}$	Output Disable Time From Low Level					17	25		17	27		17	27	ns	
$t_{PZH}$	Output Enable Time to High Level	TE, DC, or SC	Terminal	$V_I = 3.0V$ $V_L = 0V$ $R_L = 3 k\Omega$ $C_L = 15 pF$ <i>Figure 1</i>		17	33		18	40		18	40	ns	
$t_{PHZ}$	Output Disable Time From High Level					15	25		22	33		22	33	ns	
$t_{PZL}$	Output Enable Time to Low Level				(Note 8) (Note 9)		25	39		28	52		28	52	ns
$t_{PLZ}$	Output Disable Time From Low Level					15	27		20	35		20	35	ns	
$t_{PZH}$	Output Pull-Up Enable Time (DS75160A Only)	PE (Note 8)	Bus	$V_I = 3V$ $V_L = 0V$ $R_L = 480\Omega$ $C_L = 15 pF$ <i>Figure 1</i>		10	17		NA			NA		ns	
$t_{PHZ}$	Output Pull-Up Disable Time (DS75160A Only)					10	15		NA			NA		ns	

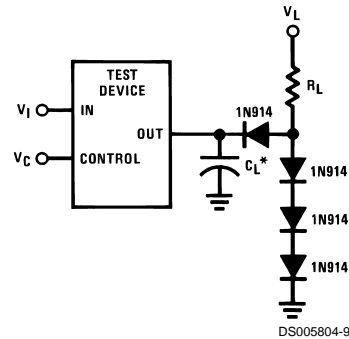
**Note 7:** Typical values are for  $V_{CC} = 5.0V$  and  $T_A = 25^\circ C$  and are meant for reference only.**Note 8:** Refer to Functional Truth Tables for control input definition.**Note 9:** Test configuration should be connected to only one transceiver at a time due to the high current stress caused by the  $V_I$  voltage source when the output connected to that input becomes active.

## Switching Load Configurations



$V_C$  logic high = 3.0V  
 $V_C$  logic low = 0V  
 \* $C_L$  includes jig and probe capacitance

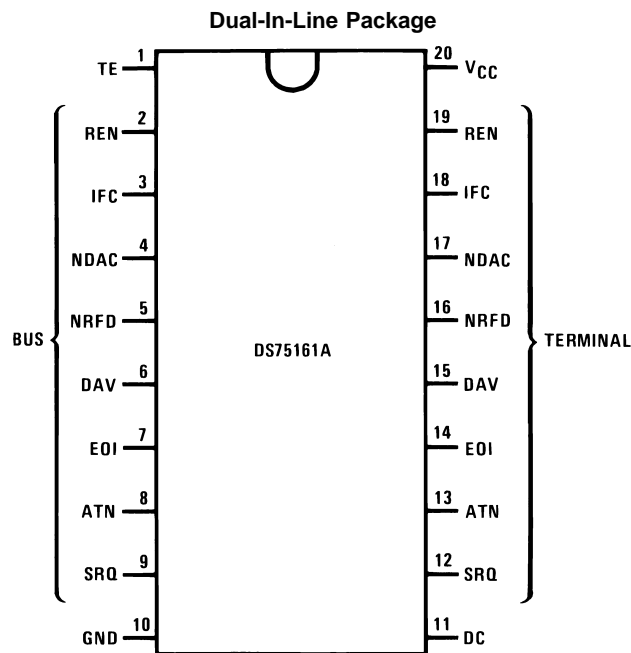
FIGURE 1.



$V_C$  logic high = 3.0V  
 $V_C$  logic low = 0V  
 \* $C_L$  includes jig and probe capacitance

FIGURE 2.

## Connection Diagrams



DS005804-2

Top View

## Functional Description

### DS75160A

This device is an 8-channel bi-directional transceiver with one common direction control input, denoted TE. When used to implement the IEEE-488 bus, this device is connected to the eight data bus lines, designated  $DIO_1$ – $DIO_8$ . The port connections to the bus lines have internal terminators, in accordance with the IEEE-488 Standard, that are deactivated when the device is powered down. This feature guarantees no bus loading when  $V_{CC} = 0V$ . The bus port outputs also have a control mode that either enables or disables the active upper stage of the totem-pole configuration. When this control input, denoted PE, is in the high state, the bus outputs operate in the high-speed totem-pole mode. When PE is in the low state, the bus outputs operate as open collector outputs which are necessary for parallel polling.

### DS75161A

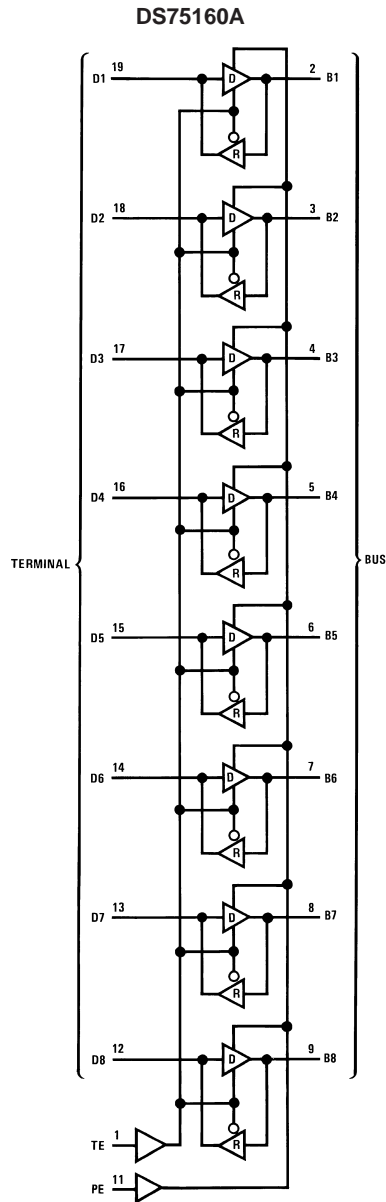
This device is also an 8-channel bi-directional transceiver which is specifically configured to implement the eight management signal lines of the IEEE-488 bus. This device, paired with the DS75160A, forms the complete 16-line interface between the IEEE-488 bus and a single controller instrumentation system. In compliance with the system organization of the management signal lines, the SRQ, NDAC, and NRFD bus port outputs are open collector. In contrast to the DS75160A, these open collector outputs are a fixed configuration. The direction control is divided into three groups. The DAV, NDAC, and NRFD transceiver directions are controlled by the TE input. The ATN, SRQ, REN, and IFC transceiver directions are controlled by the DC input. The EOI transceiver direction is a function of both the TE and DC inputs, as well as the logic level present on the ATN channel. The port connections to the bus lines have internal terminators identical to the DS75160A.

## Functional Description (Continued)

### Table of Signal Line Abbreviations

Signal Line Classification	Mnemonic	Definition	Device
Control Signals	DC	Direction Control	DS75161A
	PE	Pull-Up Enable	DS75160A
	TE	Talk Enable	All
	SC	System Controller	
Data I/O Ports	B1–B8	Bus Side of Device	DS75160A
	D1–D8	Terminal Side of Device	
Management Signals	ATN	Attention	DS75161A
	DAV	Data Valid	
	EOI	End or Identify	
	IFC	Interface Clear	
	NDAC	Not Data Accepted	
	NRFD	Not Ready for Data	
	REN	Remote Enable	
SRQ	Service Request		

## Logic Diagrams



**Note 1:** Denotes driver

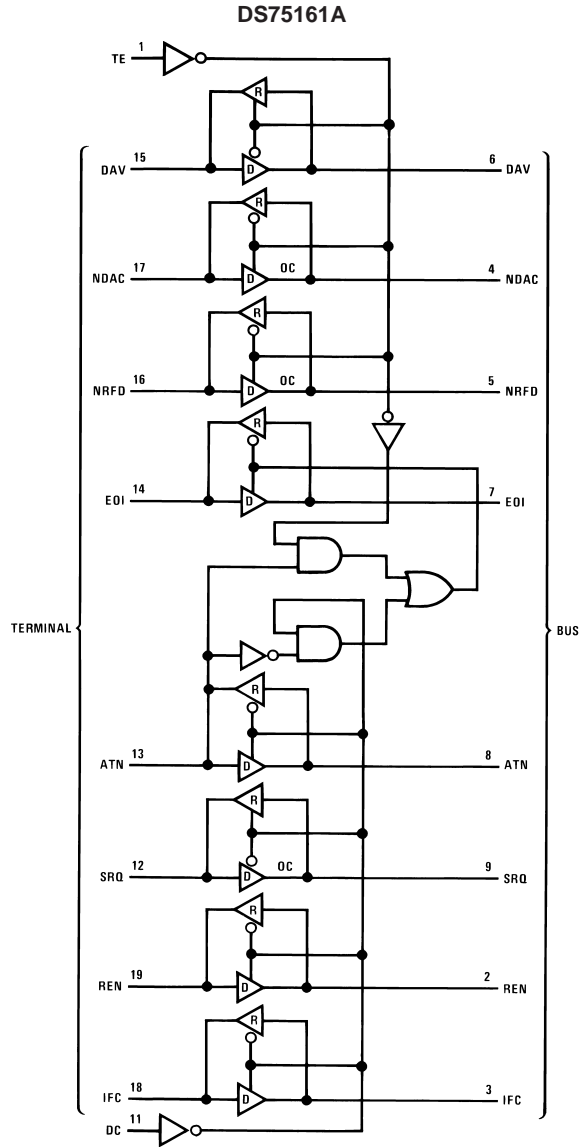
**Note 2:** Denotes receiver

**Note 3:** Driver and receiver outputs are totem-pole configurations


**Note 4:** The driver outputs of DS75160A can have their active pull-ups disabled by switching the PE input (pin 11) to the logic low state. This mode configures the outputs as open collector.


DS005804-4

## Logic Diagrams (Continued)



DS005804-5

**Note 1:**  Denotes driver

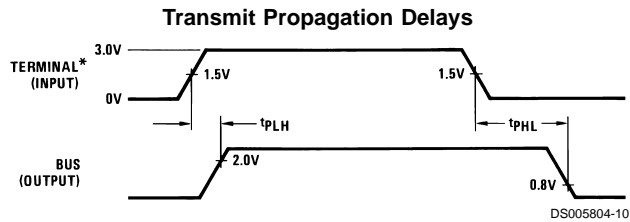
**Note 2:**  Denotes receiver

**Note 3:** Symbol "OC" specifies open collector output

**Note 4:** Driver and receiver outputs that are not specified "OC" are totem-pole configurations

DS005804-7

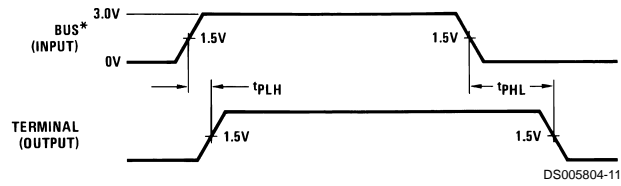
## Switching Waveforms



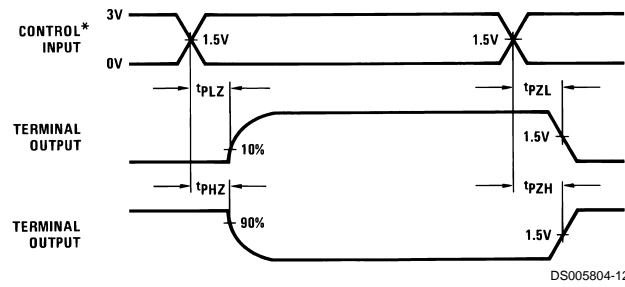
DS005804-10

# Switching Waveforms (Continued)

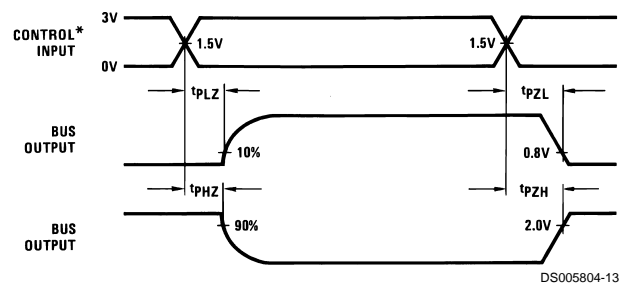
Receive Propagation Delays



Terminal Enable/Disable Times



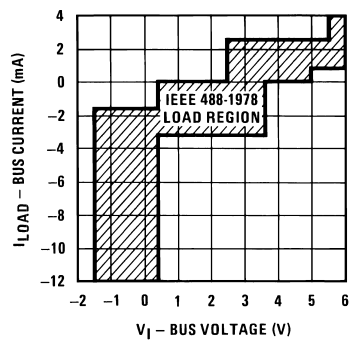
Bus Enable/Disable Times



\*Input signal:  $f = 1.0 \text{ MHz}$ , 50% duty cycle,  $t_r = t_f \leq 5 \text{ ns}$

## Performance Characteristics

Bus Port Load Characteristics



Refer to Electrical Characteristics table



## Functional Truth Tables

### DS75160A

Control Input Level		Data Transceivers	
TE	PE	Direction	Bus Port Configuration
H	H	T	Totem-Pole Output
H	L	T	Open Collector Output
L	X	R	Input

### DS75161A

Control Input Level			Transceiver Signal Direction							
TE	DC	ATN*	EOI	REN	IFC	SRQ	NRFD	NDAC	DAV	
H	H		R		R	R	T	R	R	T
H	L		T		T	T	R	R	R	T
L	H		R		R	R	T	T	T	R
L	L		T		T	T	R	T	T	R
H	X	H		T						
L	X	H		R						
X	H	L		R						
X	L	L		T						

H = High level input

L = Low level input

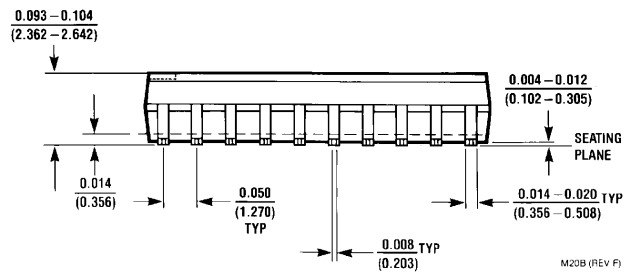
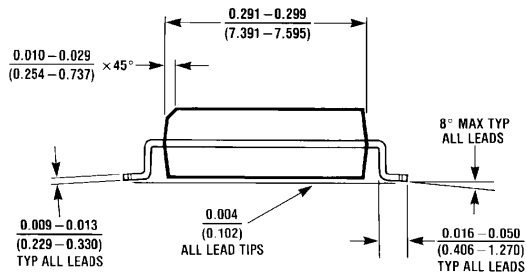
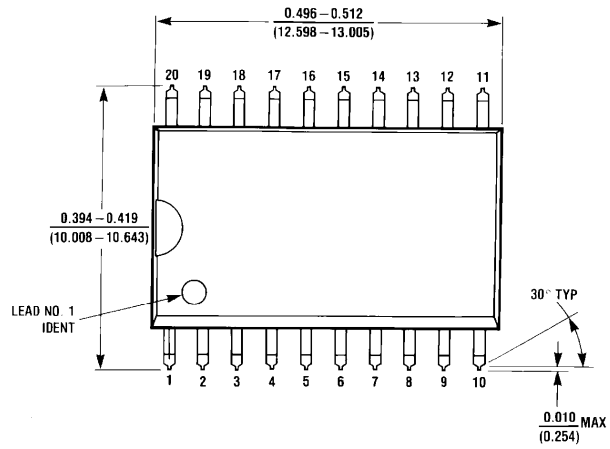
X = Don't care

T = Transmit, i.e., signal outputted to bus

R = Receive, i.e., signal outputted to terminal

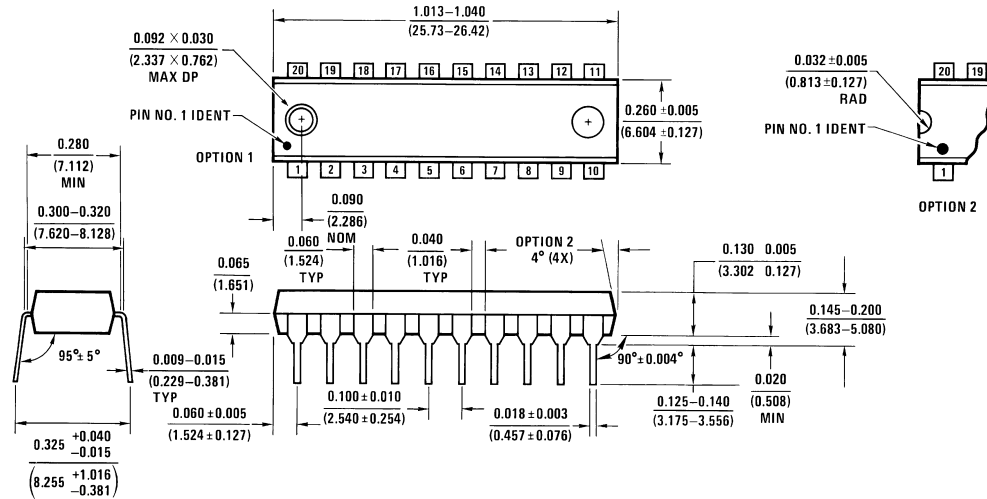
\*The ATN signal level is sensed for internal multiplex control of EOI transmission direction logic.

**Physical Dimensions** inches (millimeters) unless otherwise noted



**Order Number DS75160AWM**  
**NS Package Number M20B**

**Physical Dimensions** inches (millimeters) unless otherwise noted (Continued)



N20A (REV G)

**Molded Dual-In-Line Package (N)**  
**Order Number DS75160AN or DS75161AN**  
**NS Package Number N20A**

**LIFE SUPPORT POLICY**

NATIONAL'S PRODUCTS ARE NOT AUTHORIZED FOR USE AS CRITICAL COMPONENTS IN LIFE SUPPORT DEVICES OR SYSTEMS WITHOUT THE EXPRESS WRITTEN APPROVAL OF THE PRESIDENT AND GENERAL COUNSEL OF NATIONAL SEMICONDUCTOR CORPORATION. As used herein:

1. Life support devices or systems are devices or systems which, (a) are intended for surgical implant into the body, or (b) support or sustain life, and whose failure to perform when properly used in accordance with instructions for use provided in the labeling, can be reasonably expected to result in a significant injury to the user.
2. A critical component is any component of a life support device or system whose failure to perform can be reasonably expected to cause the failure of the life support device or system, or to affect its safety or effectiveness.



**National Semiconductor Corporation**  
 Americas  
 Email: support@nsc.com

www.national.com

**National Semiconductor Europe**  
 Fax: +49 (0) 180-530 85 86  
 Email: europe.support@nsc.com  
 Deutsch Tel: +49 (0) 69 9508 6208  
 English Tel: +44 (0) 870 24 0 2171  
 Français Tel: +33 (0) 1 41 91 8790

**National Semiconductor Asia Pacific Customer Response Group**  
 Tel: 65-2544466  
 Fax: 65-2504466  
 Email: ap.support@nsc.com

**National Semiconductor Japan Ltd.**  
 Tel: 81-3-5639-7560  
 Fax: 81-3-5639-7507

## IMPORTANT NOTICE

Texas Instruments Incorporated and its subsidiaries (TI) reserve the right to make corrections, modifications, enhancements, improvements, and other changes to its products and services at any time and to discontinue any product or service without notice. Customers should obtain the latest relevant information before placing orders and should verify that such information is current and complete. All products are sold subject to TI's terms and conditions of sale supplied at the time of order acknowledgment.

TI warrants performance of its hardware products to the specifications applicable at the time of sale in accordance with TI's standard warranty. Testing and other quality control techniques are used to the extent TI deems necessary to support this warranty. Except where mandated by government requirements, testing of all parameters of each product is not necessarily performed.

TI assumes no liability for applications assistance or customer product design. Customers are responsible for their products and applications using TI components. To minimize the risks associated with customer products and applications, customers should provide adequate design and operating safeguards.

TI does not warrant or represent that any license, either express or implied, is granted under any TI patent right, copyright, mask work right, or other TI intellectual property right relating to any combination, machine, or process in which TI products or services are used. Information published by TI regarding third-party products or services does not constitute a license from TI to use such products or services or a warranty or endorsement thereof. Use of such information may require a license from a third party under the patents or other intellectual property of the third party, or a license from TI under the patents or other intellectual property of TI.

Reproduction of TI information in TI data books or data sheets is permissible only if reproduction is without alteration and is accompanied by all associated warranties, conditions, limitations, and notices. Reproduction of this information with alteration is an unfair and deceptive business practice. TI is not responsible or liable for such altered documentation. Information of third parties may be subject to additional restrictions.

Resale of TI products or services with statements different from or beyond the parameters stated by TI for that product or service voids all express and any implied warranties for the associated TI product or service and is an unfair and deceptive business practice. TI is not responsible or liable for any such statements.

TI products are not authorized for use in safety-critical applications (such as life support) where a failure of the TI product would reasonably be expected to cause severe personal injury or death, unless officers of the parties have executed an agreement specifically governing such use. Buyers represent that they have all necessary expertise in the safety and regulatory ramifications of their applications, and acknowledge and agree that they are solely responsible for all legal, regulatory and safety-related requirements concerning their products and any use of TI products in such safety-critical applications, notwithstanding any applications-related information or support that may be provided by TI. Further, Buyers must fully indemnify TI and its representatives against any damages arising out of the use of TI products in such safety-critical applications.

TI products are neither designed nor intended for use in military/aerospace applications or environments unless the TI products are specifically designated by TI as military-grade or "enhanced plastic." Only products designated by TI as military-grade meet military specifications. Buyers acknowledge and agree that any such use of TI products which TI has not designated as military-grade is solely at the Buyer's risk, and that they are solely responsible for compliance with all legal and regulatory requirements in connection with such use.

TI products are neither designed nor intended for use in automotive applications or environments unless the specific TI products are designated by TI as compliant with ISO/TS 16949 requirements. Buyers acknowledge and agree that, if they use any non-designated products in automotive applications, TI will not be responsible for any failure to meet such requirements.

Following are URLs where you can obtain information on other Texas Instruments products and application solutions:

### Products

Audio	<a href="http://www.ti.com/audio">www.ti.com/audio</a>
Amplifiers	<a href="http://amplifier.ti.com">amplifier.ti.com</a>
Data Converters	<a href="http://dataconverter.ti.com">dataconverter.ti.com</a>
DLP® Products	<a href="http://www.dlp.com">www.dlp.com</a>
DSP	<a href="http://dsp.ti.com">dsp.ti.com</a>
Clocks and Timers	<a href="http://www.ti.com/clocks">www.ti.com/clocks</a>
Interface	<a href="http://interface.ti.com">interface.ti.com</a>
Logic	<a href="http://logic.ti.com">logic.ti.com</a>
Power Mgmt	<a href="http://power.ti.com">power.ti.com</a>
Microcontrollers	<a href="http://microcontroller.ti.com">microcontroller.ti.com</a>
RFID	<a href="http://www.ti-rfid.com">www.ti-rfid.com</a>
OMAP Mobile Processors	<a href="http://www.ti.com/omap">www.ti.com/omap</a>
Wireless Connectivity	<a href="http://www.ti.com/wirelessconnectivity">www.ti.com/wirelessconnectivity</a>

### Applications

Communications and Telecom	<a href="http://www.ti.com/communications">www.ti.com/communications</a>
Computers and Peripherals	<a href="http://www.ti.com/computers">www.ti.com/computers</a>
Consumer Electronics	<a href="http://www.ti.com/consumer-apps">www.ti.com/consumer-apps</a>
Energy and Lighting	<a href="http://www.ti.com/energy">www.ti.com/energy</a>
Industrial	<a href="http://www.ti.com/industrial">www.ti.com/industrial</a>
Medical	<a href="http://www.ti.com/medical">www.ti.com/medical</a>
Security	<a href="http://www.ti.com/security">www.ti.com/security</a>
Space, Avionics and Defense	<a href="http://www.ti.com/space-avionics-defense">www.ti.com/space-avionics-defense</a>
Transportation and Automotive	<a href="http://www.ti.com/automotive">www.ti.com/automotive</a>
Video and Imaging	<a href="http://www.ti.com/video">www.ti.com/video</a>

TI E2E Community Home Page

[e2e.ti.com](http://e2e.ti.com)

Mailing Address: Texas Instruments, Post Office Box 655303, Dallas, Texas 75265  
Copyright © 2011, Texas Instruments Incorporated