

DS3680-N Quad Negative Voltage Relay Driver

Check for Samples: [DS3680-N](#)

FEATURES

- **-10V to -60V Operation**
- **Quad 50 mA Sink Capability**
- **TTL/LS/CMOS or Voltage Comparator Input**
- **High Input Common-Mode Voltage Range**
- **Very Low Input Current**
- **Fail-Safe Disconnect Feature**
- **Built-In Output Clamp Diode**

DESCRIPTION

The DS3680-N is a quad high voltage negative relay driver designed to operate over wide ranges of supply voltage, common-mode voltage, and ambient temperature, with 50 mA sink capability. These drivers are intended for switching the ground end of loads which are directly connected to the negative supply, such as in telephone relay systems.

Since there may be considerable noise and IR drop between logic ground and negative supply ground in many applications, these drivers are designed to operate with a high common-mode range ($\pm 20V$ referenced to negative supply ground). Each driver has a common-mode range separate from the other drivers in the package, which permits input signals from more than one element of the system.

With low differential input current requirements (typically 100 μA), these drivers are compatible with TTL, LS and CMOS logic. Differential inputs permit either inverting or non-inverting operation.

The driver outputs incorporate transient suppression clamp networks, which eliminate the need for external networks when used in applications of switching inductive loads. A fail-safe feature is incorporated to ensure that, if the + IN input or both inputs are open, the driver will be OFF.

Connection Diagram

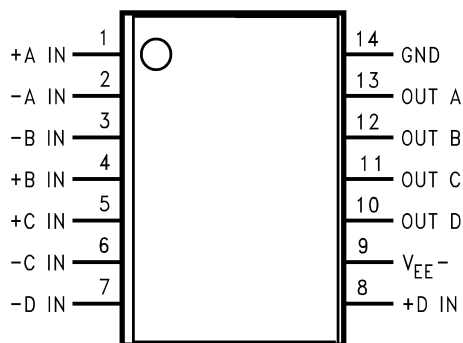


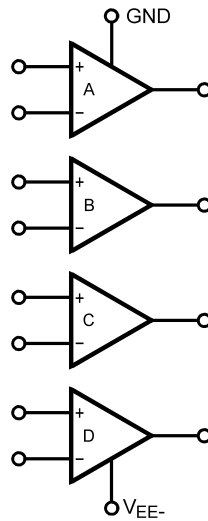
Figure 1. SOIC Package- Top View
See Package Number D0014A



Please be aware that an important notice concerning availability, standard warranty, and use in critical applications of Texas Instruments semiconductor products and disclaimers thereto appears at the end of this data sheet.

All trademarks are the property of their respective owners.

Block Diagram



Truth Table

Differential Inputs	Outputs
$V_{ID} \geq 2V$	On
$V_{ID} \leq 0.8V$	Off
Open	Off



These devices have limited built-in ESD protection. The leads should be shorted together or the device placed in conductive foam during storage or handling to prevent electrostatic damage to the MOS gates.

Absolute Maximum Ratings⁽¹⁾⁽²⁾

Supply Voltage (GND to V_{EE-} , and Any Pin)	-70V
Positive Input Voltage (Input to GND)	20V
Negative Input Voltage (Input to V_{EE-})	-5V
Differential Voltage (+ IN to - IN)	$\pm 20V$
Inductive Load	$L_L \leq 5h$
	$I_L \leq 50 \text{ mA}$
Output Current	-100 mA
Storage Temperature	-65°C to +150°C
Maximum Power Dissipation ⁽³⁾ at 25°C	
SOIC Package	1002 mW
Lead Temperature (Soldering, 4 seconds)	260°C

- (1) "Absolute Maximum Ratings" are those values beyond which the safety of the device cannot be verified. Except for "Operating Temperature Range", they are not meant to imply that the device should be operated at these limits. The [Electrical Characteristics](#) provides conditions for actual device operation.
- (2) If Military/Aerospace specified devices are required, please contact the TI Sales Office/Distributors for availability and specifications.
- (3) Derate SOIC package 8.02 mW/°C above 25°C.

Recommended Operating Conditions

	Min	Max	Units
Supply Voltage (GND to V_{EE-})	-10	-60	V
Input Voltage (Input to GND)	-20	20	V
Logic ON Voltage (+IN) Referenced to -IN	2	20	V

Recommended Operating Conditions (continued)

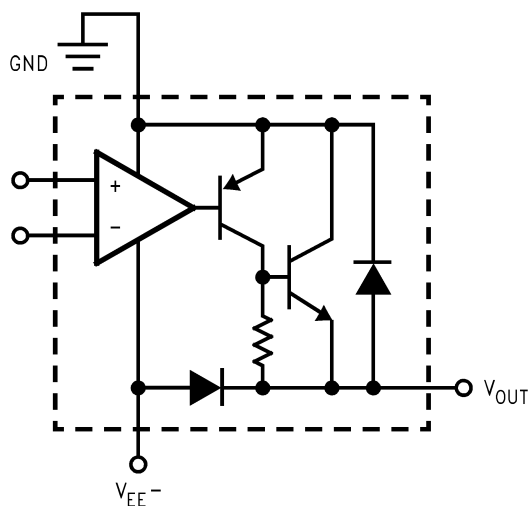
	Min	Max	Units
Logic OFF Voltage (+IN) Referenced to -IN	-20	0.8	V
Temperature Range	-25	+85	°C

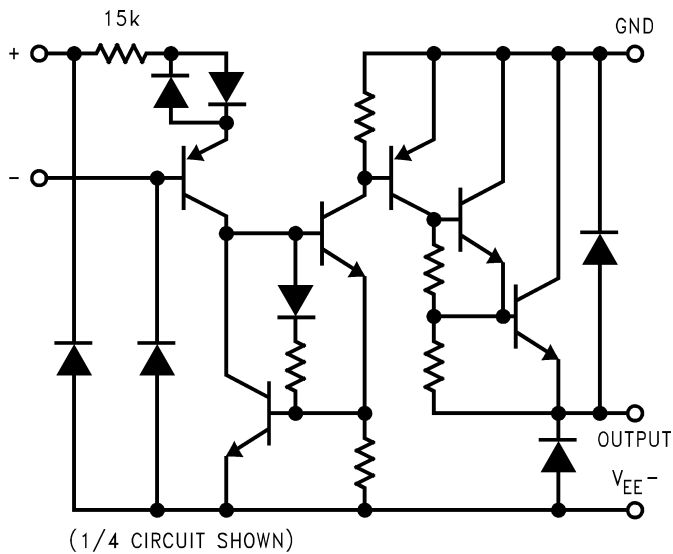
Electrical Characteristics ⁽¹⁾⁽²⁾

Parameter		Test Conditions	Min	Typ	Max	Units
V _{IH}	Logic "1" Input Voltage		2.0	1.3		V
V _{IL}	Logic "0" Input Voltage			1.3	0.8	V
I _{IINH}	Logic "1" Input Current	V _{IN} = 2V V _{IN} = 7V		40 375	100 1000	μA μA
I _{IINL}	Logic "0" Input Current	V _{IN} = 0.4V V _{IN} = -7V		-0.01 -1	-5 -100	μA μA
V _{OL}	Output ON Voltage	I _{OL} = 50 mA		-1.6	-2.1	V
I _{OFF}	Output Leakage	V _{OUT} = V _{EE} ⁻		-2	-100	μA
I _{FS}	Fail-Safe Output Leakage	V _{OUT} = V _{EE} ⁻ (Inputs Open)		-2	-100	μA
I _{LC}	Output Clamp Leakage Current	V _{OUT} = GND		2	100	μA
V _C	Output Clamp Voltage	I _{CLAMP} = -50 mA Referenced to V _{EE} ⁻		-2	-1.2	V
V _P	Positive Output Clamp Voltage	I _{CLAMP} = 50 mA Referenced to GND		0.9	1.2	V
I _{EE(ON)}	ON Supply Current	All Drivers ON		-2	-4.4	mA
I _{EE(OFF)}	OFF Supply Current	All Drivers OFF		-1	-100	μA
t _{PD(ON)}	Propagation Delay to Driver ON	L = 1h, R _L = 1k, V _{IN} = 3V Pulse		1	10	μs
t _{PD(OFF)}	Propagation Delay to Driver OF	L = 1h, R _L = 1k, V _{IN} = 3V Pulse		1	10	μs

- (1) Unless otherwise specified, the min/max limits of the table of "Electrical Characteristics" apply within the range of the [Recommended Operating Conditions](#). All typical values are given for V_{EE}⁻ = 52V, and T_A = 25°C.
- (2) All currents into device pins shown as positive, out of the device as negative. All voltages are referenced to ground unless otherwise noted.

SCHEMATIC DIAGRAMS





REVISION HISTORY

Changes from Revision C (April 2013) to Revision D	Page
• Changed layout of National Data Sheet to TI format	4

PACKAGING INFORMATION

Orderable Device	Status (1)	Package Type	Package Drawing	Pins	Package Qty	Eco Plan (2)	Lead/Ball Finish	MSL Peak Temp (3)	Op Temp (°C)	Top-Side Markings (4)	Samples
DS3680MX	ACTIVE	SOIC	D	14	2500	TBD	Call TI	Call TI	-25 to 85	DS3680M	Samples
DS3680MX/NOPB	ACTIVE	SOIC	D	14	2500	Green (RoHS & no Sb/Br)	CU SN	Level-1-260C-UNLIM	-25 to 85	DS3680M	Samples

(1) The marketing status values are defined as follows:

ACTIVE: Product device recommended for new designs.

LIFEBUY: TI has announced that the device will be discontinued, and a lifetime-buy period is in effect.

NRND: Not recommended for new designs. Device is in production to support existing customers, but TI does not recommend using this part in a new design.

PREVIEW: Device has been announced but is not in production. Samples may or may not be available.

OBSELETE: TI has discontinued the production of the device.

(2) Eco Plan - The planned eco-friendly classification: Pb-Free (RoHS), Pb-Free (RoHS Exempt), or Green (RoHS & no Sb/Br) - please check <http://www.ti.com/productcontent> for the latest availability information and additional product content details.

TBD: The Pb-Free/Green conversion plan has not been defined.

Pb-Free (RoHS): TI's terms "Lead-Free" or "Pb-Free" mean semiconductor products that are compatible with the current RoHS requirements for all 6 substances, including the requirement that lead not exceed 0.1% by weight in homogeneous materials. Where designed to be soldered at high temperatures, TI Pb-Free products are suitable for use in specified lead-free processes.

Pb-Free (RoHS Exempt): This component has a RoHS exemption for either 1) lead-based flip-chip solder bumps used between the die and package, or 2) lead-based die adhesive used between the die and leadframe. The component is otherwise considered Pb-Free (RoHS compatible) as defined above.

Green (RoHS & no Sb/Br): TI defines "Green" to mean Pb-Free (RoHS compatible), and free of Bromine (Br) and Antimony (Sb) based flame retardants (Br or Sb do not exceed 0.1% by weight in homogeneous material)

(3) MSL, Peak Temp. -- The Moisture Sensitivity Level rating according to the JEDEC industry standard classifications, and peak solder temperature.

(4) Multiple Top-Side Markings will be inside parentheses. Only one Top-Side Marking contained in parentheses and separated by a "~" will appear on a device. If a line is indented then it is a continuation of the previous line and the two combined represent the entire Top-Side Marking for that device.

Important Information and Disclaimer:The information provided on this page represents TI's knowledge and belief as of the date that it is provided. TI bases its knowledge and belief on information provided by third parties, and makes no representation or warranty as to the accuracy of such information. Efforts are underway to better integrate information from third parties. TI has taken and continues to take reasonable steps to provide representative and accurate information but may not have conducted destructive testing or chemical analysis on incoming materials and chemicals. TI and TI suppliers consider certain information to be proprietary, and thus CAS numbers and other limited information may not be available for release.

In no event shall TI's liability arising out of such information exceed the total purchase price of the TI part(s) at issue in this document sold by TI to Customer on an annual basis.

TAPE AND REEL INFORMATION



QUADRANT ASSIGNMENTS FOR PIN 1 ORIENTATION IN TAPE



*All dimensions are nominal

Device	Package Type	Package Drawing	Pins	SPQ	Reel Diameter (mm)	Reel Width W1 (mm)	A0 (mm)	B0 (mm)	K0 (mm)	P1 (mm)	W (mm)	Pin1 Quadrant
DS3680MX	SOIC	D	14	2500	330.0	16.4	6.5	9.35	2.3	8.0	16.0	Q1
DS3680MX/NOPB	SOIC	D	14	2500	330.0	16.4	6.5	9.35	2.3	8.0	16.0	Q1

TAPE AND REEL BOX DIMENSIONS


*All dimensions are nominal

Device	Package Type	Package Drawing	Pins	SPQ	Length (mm)	Width (mm)	Height (mm)
DS3680MX	SOIC	D	14	2500	367.0	367.0	35.0
DS3680MX/NOPB	SOIC	D	14	2500	367.0	367.0	35.0

D (R-PDSO-G14)

PLASTIC SMALL OUTLINE



- NOTES:
- A. All linear dimensions are in inches (millimeters).
 - B. This drawing is subject to change without notice.
 -  Body length does not include mold flash, protrusions, or gate burrs. Mold flash, protrusions, or gate burrs shall not exceed 0.006 (0,15) each side.
 -  Body width does not include interlead flash. Interlead flash shall not exceed 0.017 (0,43) each side.
 - E. Reference JEDEC MS-012 variation AB.

IMPORTANT NOTICE

Texas Instruments Incorporated and its subsidiaries (TI) reserve the right to make corrections, enhancements, improvements and other changes to its semiconductor products and services per JESD46, latest issue, and to discontinue any product or service per JESD48, latest issue. Buyers should obtain the latest relevant information before placing orders and should verify that such information is current and complete. All semiconductor products (also referred to herein as "components") are sold subject to TI's terms and conditions of sale supplied at the time of order acknowledgment.

TI warrants performance of its components to the specifications applicable at the time of sale, in accordance with the warranty in TI's terms and conditions of sale of semiconductor products. Testing and other quality control techniques are used to the extent TI deems necessary to support this warranty. Except where mandated by applicable law, testing of all parameters of each component is not necessarily performed.

TI assumes no liability for applications assistance or the design of Buyers' products. Buyers are responsible for their products and applications using TI components. To minimize the risks associated with Buyers' products and applications, Buyers should provide adequate design and operating safeguards.

TI does not warrant or represent that any license, either express or implied, is granted under any patent right, copyright, mask work right, or other intellectual property right relating to any combination, machine, or process in which TI components or services are used. Information published by TI regarding third-party products or services does not constitute a license to use such products or services or a warranty or endorsement thereof. Use of such information may require a license from a third party under the patents or other intellectual property of the third party, or a license from TI under the patents or other intellectual property of TI.

Reproduction of significant portions of TI information in TI data books or data sheets is permissible only if reproduction is without alteration and is accompanied by all associated warranties, conditions, limitations, and notices. TI is not responsible or liable for such altered documentation. Information of third parties may be subject to additional restrictions.

Resale of TI components or services with statements different from or beyond the parameters stated by TI for that component or service voids all express and any implied warranties for the associated TI component or service and is an unfair and deceptive business practice. TI is not responsible or liable for any such statements.

Buyer acknowledges and agrees that it is solely responsible for compliance with all legal, regulatory and safety-related requirements concerning its products, and any use of TI components in its applications, notwithstanding any applications-related information or support that may be provided by TI. Buyer represents and agrees that it has all the necessary expertise to create and implement safeguards which anticipate dangerous consequences of failures, monitor failures and their consequences, lessen the likelihood of failures that might cause harm and take appropriate remedial actions. Buyer will fully indemnify TI and its representatives against any damages arising out of the use of any TI components in safety-critical applications.

In some cases, TI components may be promoted specifically to facilitate safety-related applications. With such components, TI's goal is to help enable customers to design and create their own end-product solutions that meet applicable functional safety standards and requirements. Nonetheless, such components are subject to these terms.

No TI components are authorized for use in FDA Class III (or similar life-critical medical equipment) unless authorized officers of the parties have executed a special agreement specifically governing such use.

Only those TI components which TI has specifically designated as military grade or "enhanced plastic" are designed and intended for use in military/aerospace applications or environments. Buyer acknowledges and agrees that any military or aerospace use of TI components which have **not** been so designated is solely at the Buyer's risk, and that Buyer is solely responsible for compliance with all legal and regulatory requirements in connection with such use.

TI has specifically designated certain components as meeting ISO/TS16949 requirements, mainly for automotive use. In any case of use of non-designated products, TI will not be responsible for any failure to meet ISO/TS16949.

Products

Audio	www.ti.com/audio
Amplifiers	amplifier.ti.com
Data Converters	dataconverter.ti.com
DLP® Products	www.dlp.com
DSP	dsp.ti.com
Clocks and Timers	www.ti.com/clocks
Interface	interface.ti.com
Logic	logic.ti.com
Power Mgmt	power.ti.com
Microcontrollers	microcontroller.ti.com
RFID	www.ti-rfid.com
OMAP Applications Processors	www.ti.com/omap
Wireless Connectivity	www.ti.com/wirelessconnectivity

Applications

Automotive and Transportation	www.ti.com/automotive
Communications and Telecom	www.ti.com/communications
Computers and Peripherals	www.ti.com/computers
Consumer Electronics	www.ti.com/consumer-apps
Energy and Lighting	www.ti.com/energy
Industrial	www.ti.com/industrial
Medical	www.ti.com/medical
Security	www.ti.com/security
Space, Avionics and Defense	www.ti.com/space-avionics-defense
Video and Imaging	www.ti.com/video

TI E2E Community

e2e.ti.com