

LM325

LM325 Dual Voltage Regulator



Literature Number: SNOSBS9

LM325 Dual Voltage Regulator

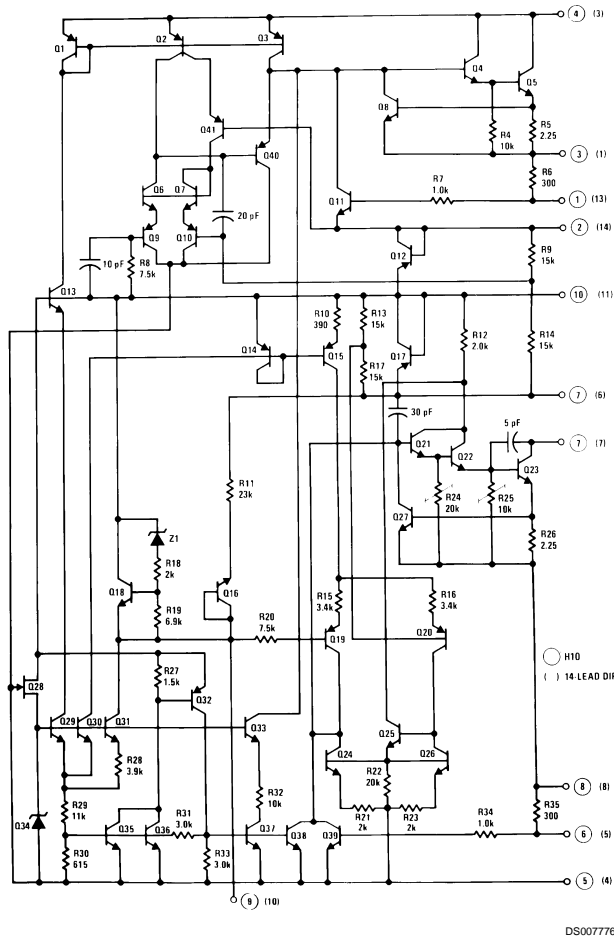
General Description

This dual polarity tracking regulator is designed to provide balanced positive and negative output voltages at current up to 100 mA, and is set for $\pm 15V$ outputs. Input voltages up to $\pm 30V$ can be used and there is provision for adjustable current limiting. The device is available in two package types to accommodate various power requirements and temperature ranges.

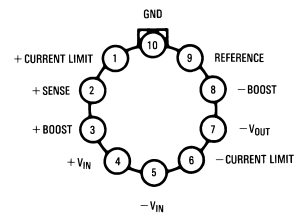
Features

- $\pm 15V$ tracking outputs
- Output current to 100 mA
- Output voltage balanced to within 2%
- Line and load regulation of 0.06%
- Internal thermal overload protection
- Standby current drain of 3 mA
- Externally adjustable current limit
- Internal current limit

Schematic and Connection Diagrams



Metal Can Package



DS007776-3

Case connected to $-V_{IN}$

Top View
Order Number LM325H
See NS Package Number H10C

Absolute Maximum Ratings (Note 1)

If Military/Aerospace specified devices are required, please contact the National Semiconductor Sales Office/Distributors for availability and specifications.

Input Voltage	±30V
Forced V_{O^+} (Min) (Note 2)	-0.5V
Forced V_{O^-} (Max) (Note 2)	+0.5V
Power Dissipation (Note 3)	P_{MAX}

Output Short-Circuit Duration (Note 4)

Continuous

Operating Conditions

Operating Free Temperature Range	0°C to +70°C
Storage Temperature Range	-65°C to +150°C
Lead Temperature (Soldering, 10 sec.)	300°C

Electrical Characteristics

Parameter	Conditions	Min	Typ	Max	Units
Output Voltage	$T_j = 25^\circ\text{C}$	14.5	15	15.5	V
Input-Output Differential		2.0			V
Line Regulation	$V_{IN} = 18\text{V to } 30\text{V}$, $I_L = 20\text{ mA}$, $T_j = 25^\circ\text{C}$		2.0	10	mV
Line Regulation Over Temperature Range	$V_{IN} = 18\text{V to } 30\text{V}$, $I_L = 20\text{ mA}$,		20	20	mV
Load Regulation V_{O^+} V_{O^-}	$I_L = 0\text{ mA to } 50\text{ mA}$, $V_{IN} = \pm 30\text{V}$, $T_j = 25^\circ\text{C}$		3.0 5.0	10 10	mV mV
Load Regulation Over Temperature Range V_{O^+} V_{O^-}	$I_L = 0\text{ mA to } 50\text{ mA}$, $V_{IN} = \pm 30\text{V}$		4.0 7.0	20 20	mV mV
Output Voltage Balance	$T_j = 25^\circ\text{C}$			±300	mV
Output Voltage Over Temperature Range	$P \leq P_{MAX}$, $0 \leq I_O \leq 50\text{ mA}$, $18\text{V} \leq V_{IN} \leq 30$	14.27		15.73	V
Temperature Stability of V_O			±0.3		%
Short Circuit Current Limit	$T_j = 25^\circ\text{C}$		260		mA
Output Noise Voltage	$T_j = 25^\circ\text{C}$, BW = 100 – 10 kHz		150		µVrms
Positive Standby Current	$T_j = 25^\circ\text{C}$		1.75	3.0	mA
Negative Standby Current	$T_j = 25^\circ\text{C}$		3.1	5.0	mA
Long Term Stability			0.2		%/kHr
Thermal Resistance Junction to Case (Note 5) LM325H			20		°C/W
Junction to Ambient	(Still Air)		215		°C/W
Junction to Ambient	(400 Lf/min Air Flow)		82		°C/W
Junction to Ambient LM325N	(Still Air)		90		°C/W

Note 1: "Absolute Maximum Ratings" indicate limits beyond which damage to the device may occur. Operating ratings indicate conditions for which the device is functional, but do not guarantee specific performance limits.

Note 2: That voltage to which the output may be forced without damage to the device.

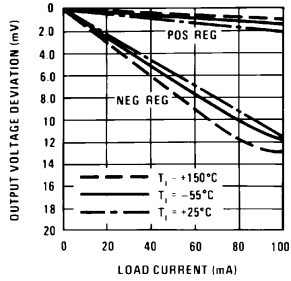
Note 3: Unless otherwise specified these specifications apply for $T_j = 0^\circ\text{C}$ to $+125^\circ\text{C}$ on LM325, $V_{IN} = \pm 20\text{V}$, $I_L = 0\text{ mA}$, $I_{MAX} = 100\text{ mA}$, $P_{MAX} = 2.0\text{W}$ for the H10 Package.

Note 4: If the junction temperature exceeds 150°C , the output short circuit duration is 60 seconds.

Note 5: Without a heat sink, the thermal resistance junction to ambient of the H10 Package is about 155°C/W . With a heat sink, the effective thermal resistance can only approach the junction to case values specified, depending on the efficiency of the sink.

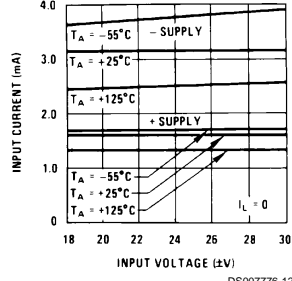
Typical Performance Characteristics

Load Regulation



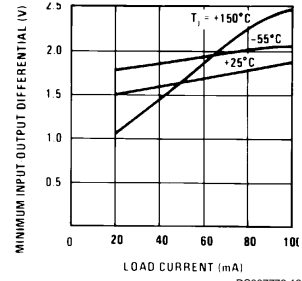
DS007776-11

Standby Current Drain



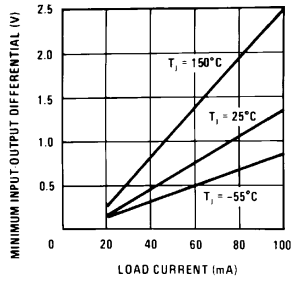
DS007776-12

Regulator Dropout Voltage for Positive Regulator



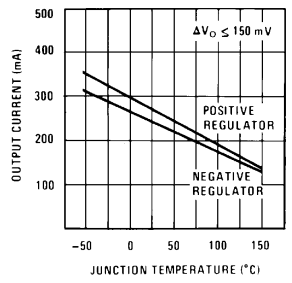
DS007776-13

Regulator Dropout Voltage for Negative Regulator



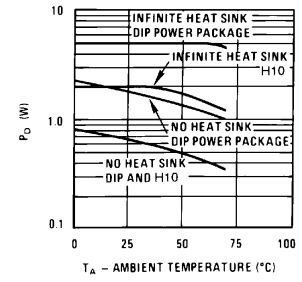
DS007776-14

Peak Output Current vs Junction Temperature



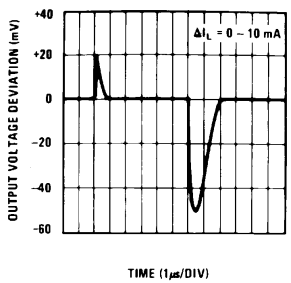
DS007776-15

LM325 Maximum Average Power Dissipation vs Ambient Temperature



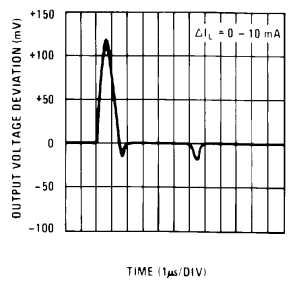
DS007776-17

Load Transient Response for Positive Regulator



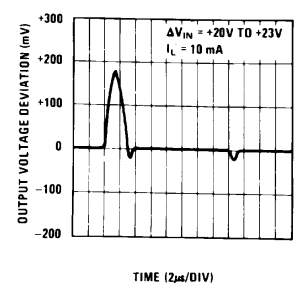
DS007776-20

Load Transient Response for Negative Regulator



DS007776-21

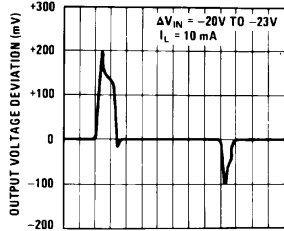
Line Transient Response for Positive Regulator



DS007776-22

Typical Performance Characteristics (Continued)

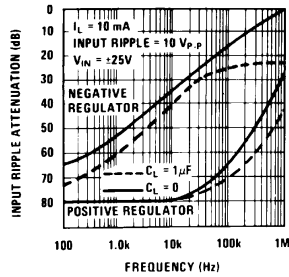
Line Transient Response for Negative Regulator



TIME (10µs/DIV)

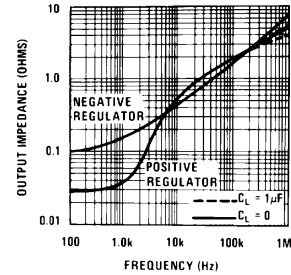
DS007776-23

Ripple Rejection



DS007776-24

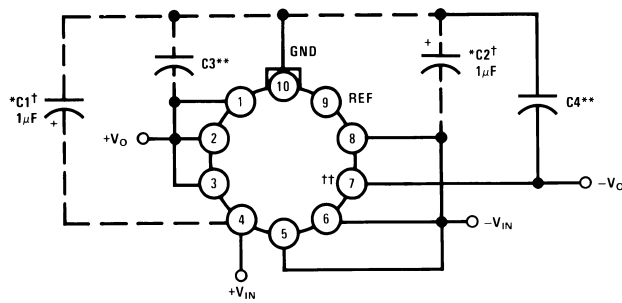
Output Impedance vs Frequency



DS007776-25

Typical Applications

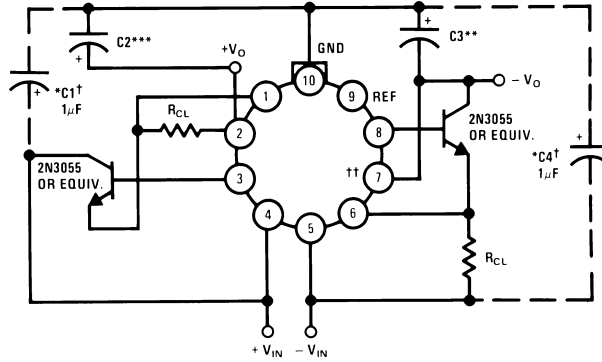
Basic Regulator†††



DS007776-6

Typical Applications (Continued)

2.0 Amp Boosted Regulator with Current Limit



DS007776-7

Note: Metal can (H) packages shown.

$$I_{CL} = \frac{\text{Current Limit Sense Voltage (See Curve)}}{R_{CL}}$$

†Solid tantalum

††Short pins 6 and 7 on dip

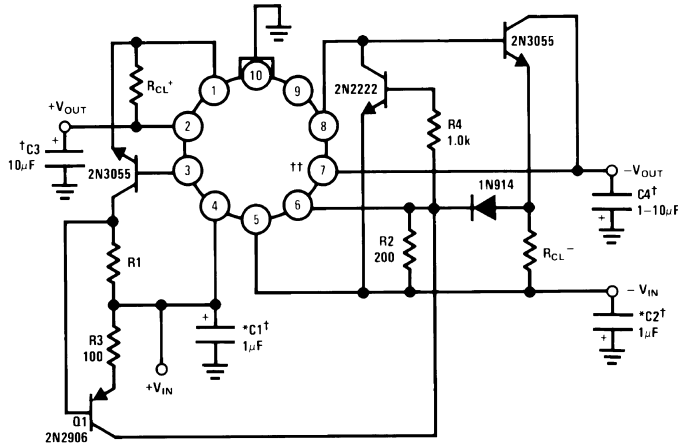
†††R_{CL} can be added to the basic regulator between pins 6 and 5, 1 and 2 to reduce current limit.

*Required if regulator is located an appreciable distance from power supply filter.

**Although no capacitor is needed for stability, it does help transient response. (If needed use 1 µF electrolytic.)

***Although no capacitor is needed for stability, it does help transient response. (If needed use 10 µF electrolytic.)

Positive Current Dependent Simultaneous Current Limiting



DS007776-8

$$I_{CL}^+ = \frac{\frac{V_{SENSE_NEG}}{2} + V_{BEQ1}}{R1}$$

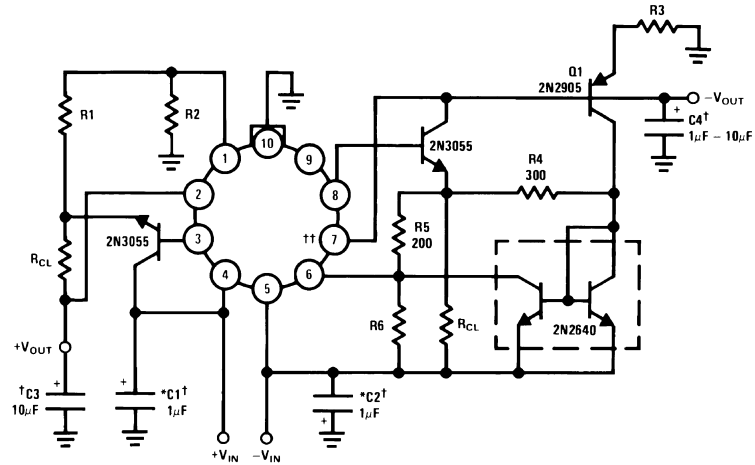
$$I_{CL}^+ = \frac{V_{SENSE_NEG} + V_{DIODE}}{R_{CL}^-}$$

$$R_{CL}^+ = \frac{V_{SENSE}^+}{1.1 I_{CL}^+}$$

I_{CL}⁺ Controls Both Sides of the Regulator.

Typical Applications (Continued)

Boosted Regulator With Foldback Current Limit



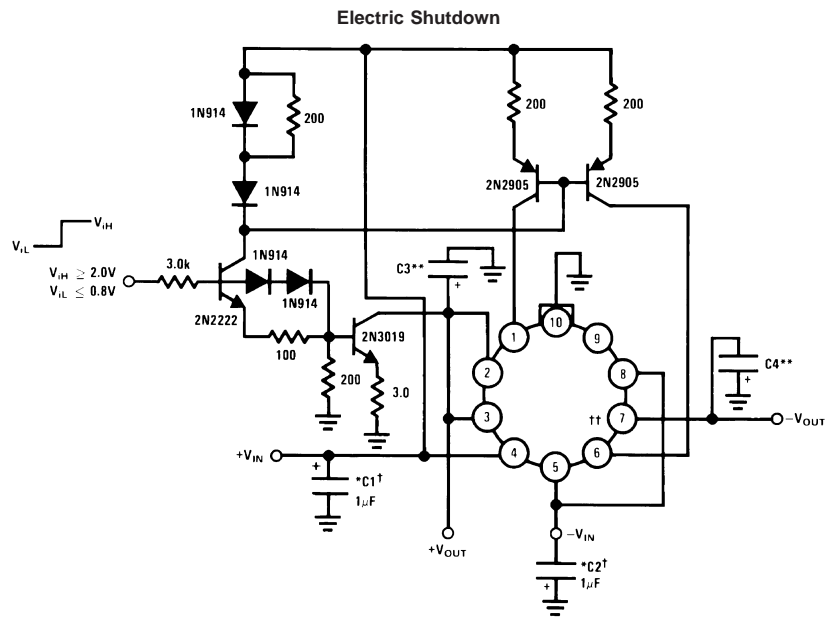
DS007776-9

Positive Reg.
 $I_{MAX} = 2.0A$
 $I_{SC} = 750\text{ mA}$
 $@T_A = 25^\circ C$
 $+V_{IN} = +25V$
 Negative Reg.
 $I_{MAX} = 2.0A$
 $I_{SC} = 750\text{ mA}$
 $@T_A = 25^\circ C$
 $-V_{IN} = -25V$

Resistor Values

	125	126
R1	18	20
R2	310	180
R3	2.4k	1.35k
R6	300	290
R _{CL}	0.7	0.9

Typical Applications (Continued)



DS007776-10

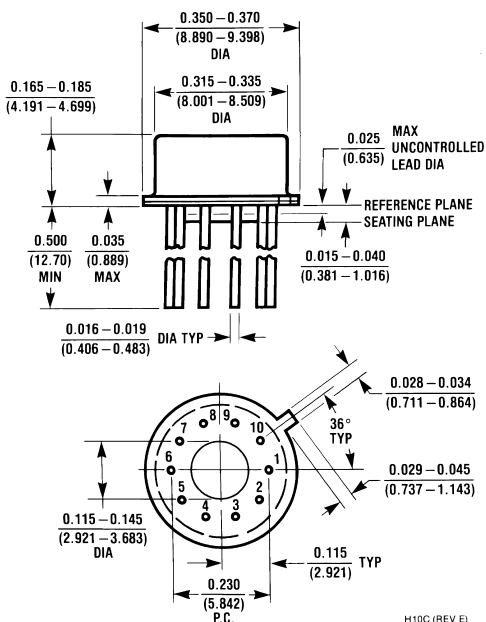
†Solid tantalum

††Short pins 6 and 7 on dip

*Required if regulator is located an appreciable distance from power supply filter.

**Although no capacitor is needed for stability, it does help transient response. (If needed use 1 μ F electrolytic.)

Physical Dimensions inches (millimeters) unless otherwise noted



**Metal Can Package (H)
Order Number LM325H
NS Package Number H10C**

LIFE SUPPORT POLICY

NATIONAL'S PRODUCTS ARE NOT AUTHORIZED FOR USE AS CRITICAL COMPONENTS IN LIFE SUPPORT DEVICES OR SYSTEMS WITHOUT THE EXPRESS WRITTEN APPROVAL OF THE PRESIDENT AND GENERAL COUNSEL OF NATIONAL SEMICONDUCTOR CORPORATION. As used herein:

1. Life support devices or systems are devices or systems which, (a) are intended for surgical implant into the body, or (b) support or sustain life, and whose failure to perform when properly used in accordance with instructions for use provided in the labeling, can be reasonably expected to result in a significant injury to the user.
2. A critical component is any component of a life support device or system whose failure to perform can be reasonably expected to cause the failure of the life support device or system, or to affect its safety or effectiveness.

National Semiconductor Corporation
Americas
Tel: 1-800-272-9959
Fax: 1-800-737-7018
Email: support@nsc.com

National Semiconductor Europe
Fax: +49 (0) 1 80-530 85 86
Email: europe.support@nsc.com
Deutsch Tel: +49 (0) 1 80-530 85 85
English Tel: +49 (0) 1 80-532 78 32
Français Tel: +49 (0) 1 80-532 93 58
Italiano Tel: +49 (0) 1 80-534 16 80

National Semiconductor Asia Pacific Customer Response Group
Tel: 65-2544466
Fax: 65-2504466
Email: sea.support@nsc.com

National Semiconductor Japan Ltd.
Tel: 81-3-5639-7560
Fax: 81-3-5639-7507

www.national.com

IMPORTANT NOTICE

Texas Instruments Incorporated and its subsidiaries (TI) reserve the right to make corrections, modifications, enhancements, improvements, and other changes to its products and services at any time and to discontinue any product or service without notice. Customers should obtain the latest relevant information before placing orders and should verify that such information is current and complete. All products are sold subject to TI's terms and conditions of sale supplied at the time of order acknowledgment.

TI warrants performance of its hardware products to the specifications applicable at the time of sale in accordance with TI's standard warranty. Testing and other quality control techniques are used to the extent TI deems necessary to support this warranty. Except where mandated by government requirements, testing of all parameters of each product is not necessarily performed.

TI assumes no liability for applications assistance or customer product design. Customers are responsible for their products and applications using TI components. To minimize the risks associated with customer products and applications, customers should provide adequate design and operating safeguards.

TI does not warrant or represent that any license, either express or implied, is granted under any TI patent right, copyright, mask work right, or other TI intellectual property right relating to any combination, machine, or process in which TI products or services are used. Information published by TI regarding third-party products or services does not constitute a license from TI to use such products or services or a warranty or endorsement thereof. Use of such information may require a license from a third party under the patents or other intellectual property of the third party, or a license from TI under the patents or other intellectual property of TI.

Reproduction of TI information in TI data books or data sheets is permissible only if reproduction is without alteration and is accompanied by all associated warranties, conditions, limitations, and notices. Reproduction of this information with alteration is an unfair and deceptive business practice. TI is not responsible or liable for such altered documentation. Information of third parties may be subject to additional restrictions.

Resale of TI products or services with statements different from or beyond the parameters stated by TI for that product or service voids all express and any implied warranties for the associated TI product or service and is an unfair and deceptive business practice. TI is not responsible or liable for any such statements.

TI products are not authorized for use in safety-critical applications (such as life support) where a failure of the TI product would reasonably be expected to cause severe personal injury or death, unless officers of the parties have executed an agreement specifically governing such use. Buyers represent that they have all necessary expertise in the safety and regulatory ramifications of their applications, and acknowledge and agree that they are solely responsible for all legal, regulatory and safety-related requirements concerning their products and any use of TI products in such safety-critical applications, notwithstanding any applications-related information or support that may be provided by TI. Further, Buyers must fully indemnify TI and its representatives against any damages arising out of the use of TI products in such safety-critical applications.

TI products are neither designed nor intended for use in military/aerospace applications or environments unless the TI products are specifically designated by TI as military-grade or "enhanced plastic." Only products designated by TI as military-grade meet military specifications. Buyers acknowledge and agree that any such use of TI products which TI has not designated as military-grade is solely at the Buyer's risk, and that they are solely responsible for compliance with all legal and regulatory requirements in connection with such use.

TI products are neither designed nor intended for use in automotive applications or environments unless the specific TI products are designated by TI as compliant with ISO/TS 16949 requirements. Buyers acknowledge and agree that, if they use any non-designated products in automotive applications, TI will not be responsible for any failure to meet such requirements.

Following are URLs where you can obtain information on other Texas Instruments products and application solutions:

Products

Audio	www.ti.com/audio
Amplifiers	amplifier.ti.com
Data Converters	dataconverter.ti.com
DLP® Products	www.dlp.com
DSP	dsp.ti.com
Clocks and Timers	www.ti.com/clocks
Interface	interface.ti.com
Logic	logic.ti.com
Power Mgmt	power.ti.com
Microcontrollers	microcontroller.ti.com
RFID	www.ti-rfid.com
OMAP Mobile Processors	www.ti.com/omap
Wireless Connectivity	www.ti.com/wirelessconnectivity

Applications

Communications and Telecom	www.ti.com/communications
Computers and Peripherals	www.ti.com/computers
Consumer Electronics	www.ti.com/consumer-apps
Energy and Lighting	www.ti.com/energy
Industrial	www.ti.com/industrial
Medical	www.ti.com/medical
Security	www.ti.com/security
Space, Avionics and Defense	www.ti.com/space-avionics-defense
Transportation and Automotive	www.ti.com/automotive
Video and Imaging	www.ti.com/video

TI E2E Community Home Page

e2e.ti.com

Mailing Address: Texas Instruments, Post Office Box 655303, Dallas, Texas 75265
Copyright © 2011, Texas Instruments Incorporated