

MM58342 High Voltage Display Driver

Check for Samples: [MM58342](#)

FEATURES

- Direct Interface to High Voltage Display
- Serial Data Input
- No External Resistors Required
- Wide Display Power Supply Operation
- LSTTL Compatible Inputs
- Software Compatible with NS Display Driver Family
- Compatible with Alphanumeric or Dot Matrix Displays
- Display Blanking Control Input
- Simple to Cascade

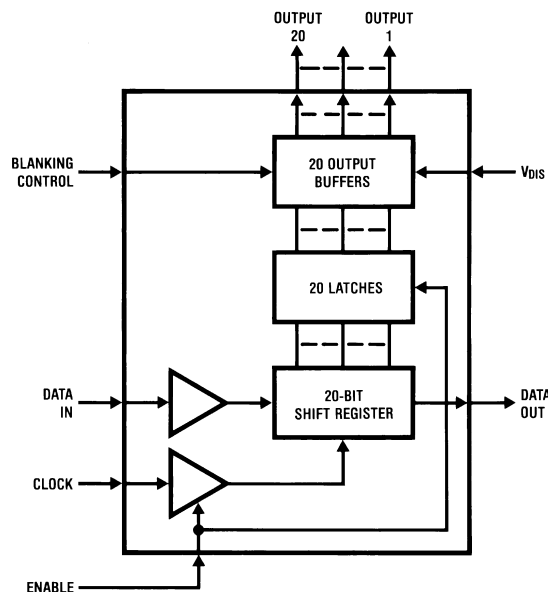
APPLICATIONS

- COPS™ or Microprocessor-driven Displays
- Instrumentation Readouts
- Industrial Control Indicator
- Digital Clock, Thermostat, Counter, Voltmeter
- Word Processor Text Displays
- Automotive Dashboards

DESCRIPTION

The MM58342 is a monolithic MOS integrated circuit utilizing CMOS metal gate low threshold P- and N-channel devices. It is available both in 28-pin molded dual-in-line packages or as dice. The MM58342 is particularly suited for driving high voltage (35V max) vacuum fluorescent (VF) displays (e.g., a 20-digit alphanumeric or dot matrix display).

Block Diagram



These devices have limited built-in ESD protection. The leads should be shorted together or the device placed in conductive foam during storage or handling to prevent electrostatic damage to the MOS gates.



Please be aware that an important notice concerning availability, standard warranty, and use in critical applications of Texas Instruments semiconductor products and disclaimers thereto appears at the end of this data sheet.

All trademarks are the property of their respective owners.

Absolute Maximum Ratings⁽¹⁾⁽²⁾

Voltage at Any Input Pin		$V_{DD} + 0.3V$ to $V_{SS} - 0.3V$
Voltage at Any Display Pin		V_{DD} to $V_{DD} - 36.5V$
$V_{DD} + V_{DIS} $		36.5V
Storage Temperature		-65°C to +150°C
Power Dissipation at 25°C	Molded DIP Package, Board Mount	2.03W ⁽³⁾
	Molded DIP Package, Socket Mount	1.83W ⁽⁴⁾
Junction Temperature		130°C
Lead Temperature (Soldering, 10 sec.)		260°C

(1) Absolute Maximum Ratings indicate limits beyond which damage to the device may occur.

(2) If Military/Aerospace specified devices are required, please contact the Texas Instruments Sales Office/Distributors for availability and specifications.

(3) Molded DIP Package, Board Mount, $\theta_{JA} = 52^{\circ}\text{C/W}$, derate 19.2 mW/°C above 25°C.

(4) Molded DIP Package, Socket Mount, $\theta_{JA} = 58^{\circ}\text{C/W}$, derate 17.2 mW/°C above 25°C.

Operating Conditions

		Min	Max	Units
Supply Voltage (V_{DD})	$V_{SS} = 0V$	4.5	5.5	V
Display Voltage (V_{DIS})		-30	-10	V
Temperature Range		-40	+85	°C

Electrical Characteristics

$T_A = -40^{\circ}\text{C}$ to $+85^{\circ}\text{C}$, $V_{DD} = 5V \pm 0.5V$, $V_{SS} = 0V$ unless otherwise specified

Symbol	Parameter	Conditions	Min	Typ	Max	Units				
I_{DD}	Power Supply Currents	$V_{IN} = V_{SS}$ or V_{DD} , $V_{SS} = 0V$, V_{DIS} Disconnected			150	μA				
I_{DIS}		$V_{DD} = 5.5V$, $V_{SS} = 0V$, $V_{DIS} = -30V$ All Outputs Low			10	mA				
V_{IL}	Input Logic Levels DATA IN, CLOCK ENABLE, BLANK Logic "0"	See ⁽¹⁾	2.4		0.8	V				
V_{IH}						Logic "1"	V			
V_{OL}	Data Output Logic Levels Logic "0"	$I_{OUT} = 400 \mu\text{A}$	$V_{DD} - 0.5$		0.4	V				
V_{OH}						Logic "1"	V			
V_{OH}						Logic "1"	$I_{OUT} = -500 \mu\text{A}$	2.8	V	
I_{IN}	Input Currents DATA IN, CLOCK ENABLE, BLANK	$V_{IN} = 0V$ or V_{DD}	-10		10	μA				
C_{IN}	Input Capacitance DATA IN, CLOCK ENABLE, BLANK				15	pF				
R_{OFF}	Display Output Impedances Output Off (Figure 3)	$V_{DD} = 5.5V$, $V_{SS} = 0V$	55		250	k Ω				
R_{ON}		Output On (Figure 4)				$V_{DIS} = -10V$	60		300	k Ω
						$V_{DIS} = -20V$				65
			$V_{DIS} = -30V$	700	800	Ω				
$V_{DIS} = -10V$		600	750	Ω						
		$V_{DIS} = -20V$	500	680	Ω					
	$V_{DIS} = -30V$									
V_{DOL}	Display Output Low Voltage	$V_{DD} = 5.5V$, $I_{OUT} = \text{Open Circuit}$, $-30V \leq V_{DIS} \leq -10V$	V_{DIS}		$V_{DIS} + 2$	V				

(1) 74LSTTL $V_{OH} = 2.7V$ @ $I_{OUT} = -400 \mu\text{A}$, TTL $V_{OH} = 2.4V$ @ $I_{OUT} = -400 \mu\text{A}$.

AC Electrical Characteristics

$T_A = -40^{\circ}\text{C}$ to $+85^{\circ}\text{C}$, $V_{DD} = 5\text{V} \pm 0.5\text{V}$

Symbol	Parameter	Conditions	Min	Typ	Max	Units
f_C	Clock Input Frequency	See ⁽¹⁾⁽²⁾			800	kHz
t_H	High Time		300			ns
t_L	Low Time		300			ns
t_{DS}	Data Input Set-Up Time		100			ns
t_{DH}	Hold Time		100			ns
t_{ES}	Enable Input Set-Up Time	See ⁽³⁾	100			ns
t_{EH}	Hold Time		100			ns
t_{CDO}	Data Output Clock Low to Data Out Time	$C_L = 50\text{ pF}$			500	ns

- (1) AC input waveform specification for test purposes: $t_r, t_f \leq 20\text{ ns}$, $f = 800\text{ kHz}$, 50% $\pm 10\%$ duty cycle.
- (2) Clock input rise and fall times must not exceed $5\text{ }\mu\text{s}$.
- (3) For timing purposes, the signals ENABLE and BLANK can be considered to be totally independent of each other.

Connection Diagrams

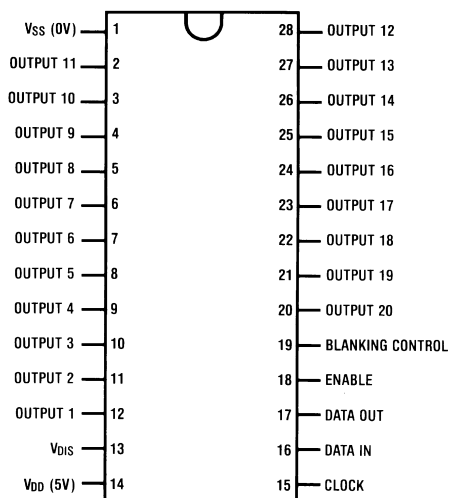


Figure 1. Dual-In-Line Package - Top View

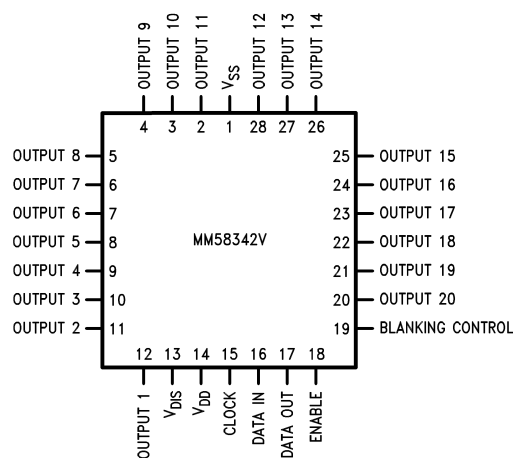


Figure 2. Plastic Chip Carrier - Top View Package PLCC (FN)

FUNCTIONAL DESCRIPTION

This product is specifically designed to drive multiplexed or non-multiplexed high voltage alphanumeric or dot matrix vacuum fluorescent (VF) displays. Character generation is done externally in the microprocessor, with a serial data path to the display driver. The MM58342 uses three signals, DATA IN, CLOCK and ENABLE, where ENABLE acts as an external load signal. Display blanking can be achieved by means of the BLANKING CONTROL input, and a logic “1” will turn off all sections of the display. A block diagram of the MM58342 is shown in [Block Diagram](#).

[Figure 1](#) shows the pinout of the MM58342 device, where output 1 (pin 12) is equivalent to bit 1 (i.e., the first bit of data to be loaded into the shift register following ENABLE high). A logic “1” at the input will turn on the corresponding display digit/segment/dot output.

A significant reduction in discrete board components can be achieved by use of the MM58342, because external pull-down resistors are not required. Due to the nature of the output stage, both its on and off impedance values vary as a function of the display voltage applied. However, [Figure 3](#) and [Figure 4](#) show that this output impedance will remain constant for a fixed value of display voltage.

[Figure 5](#) demonstrates the critical timing requirements between CLOCK and DATA IN for the MM58342.

To clear (reset) the display driver at power on or any time, the following flushing routine may be used. With the enable signal high, clock in 20 zeroes. Drive the enable signal low and the display will be blank. It is recommended to clear the driver at power on.

In [Figure 6](#), the ENABLE signal acts as an envelope, and only while this signal is at a logic “1” does the circuit accept CLOCK input signals. Data is transferred and shifted in the internal shift register on the rising clock edge, i.e., “0”–“1” transition. When the ENABLE signal goes low, the contents of the shift registers are latched, and the display will show new data. During data transfer, the display will show old data. DATA OUT is also provided on the MM58342 being output on the falling edge. At any time, the display may be blanked under processor control, using the BLANKING CONTROL input.

[Figure 7](#) shows a schematic diagram of a microprocessor-based system where the MM58342 is used to provide the grid drive for a 40-digit 2 line 5 x 7 multiplexed vacuum fluorescent (VF) display. The anode drive in this example is provided by another member of the high voltage display driver family, namely the MM58348, which does not require an extremely generated load signal.

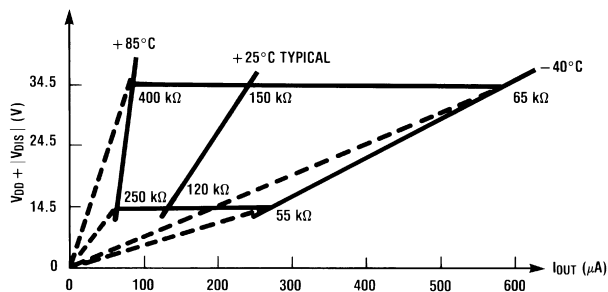


Figure 3. Output Impedance Off

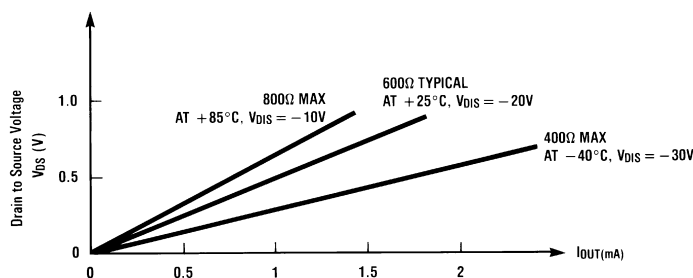


Figure 4. Output Impedance On

Timing Diagrams

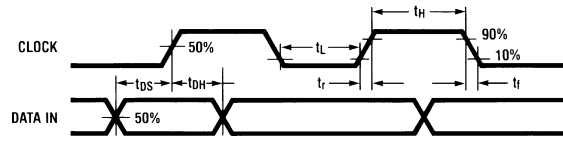


Figure 5. Clock and Data Timings

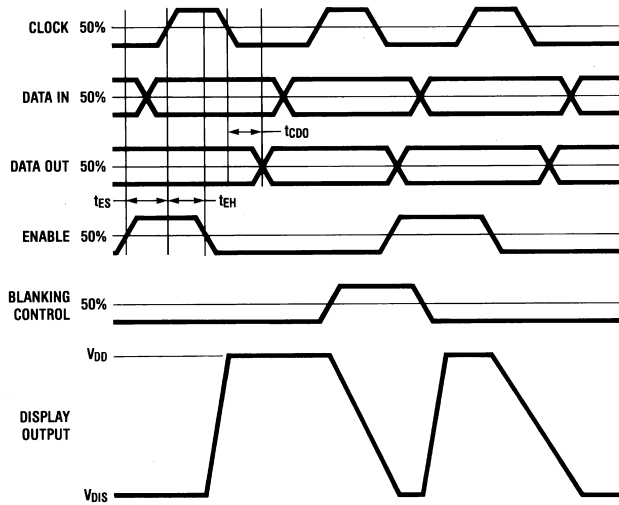


Figure 6. Timings (Data Format)

Typical Application

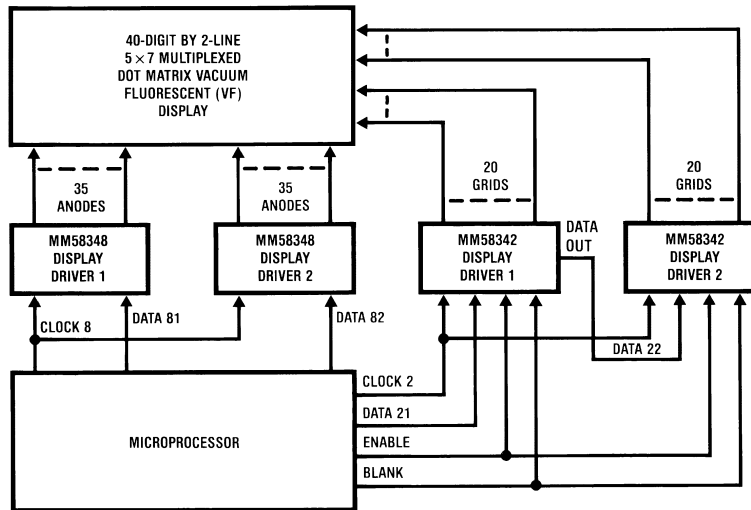


Figure 7. Microprocessor-Controlled Word Processor

REVISION HISTORY

Changes from Revision B (April 2013) to Revision C	Page
• Changed layout of National Data Sheet to TI format	5

IMPORTANT NOTICE

Texas Instruments Incorporated and its subsidiaries (TI) reserve the right to make corrections, enhancements, improvements and other changes to its semiconductor products and services per JESD46, latest issue, and to discontinue any product or service per JESD48, latest issue. Buyers should obtain the latest relevant information before placing orders and should verify that such information is current and complete. All semiconductor products (also referred to herein as "components") are sold subject to TI's terms and conditions of sale supplied at the time of order acknowledgment.

TI warrants performance of its components to the specifications applicable at the time of sale, in accordance with the warranty in TI's terms and conditions of sale of semiconductor products. Testing and other quality control techniques are used to the extent TI deems necessary to support this warranty. Except where mandated by applicable law, testing of all parameters of each component is not necessarily performed.

TI assumes no liability for applications assistance or the design of Buyers' products. Buyers are responsible for their products and applications using TI components. To minimize the risks associated with Buyers' products and applications, Buyers should provide adequate design and operating safeguards.

TI does not warrant or represent that any license, either express or implied, is granted under any patent right, copyright, mask work right, or other intellectual property right relating to any combination, machine, or process in which TI components or services are used. Information published by TI regarding third-party products or services does not constitute a license to use such products or services or a warranty or endorsement thereof. Use of such information may require a license from a third party under the patents or other intellectual property of the third party, or a license from TI under the patents or other intellectual property of TI.

Reproduction of significant portions of TI information in TI data books or data sheets is permissible only if reproduction is without alteration and is accompanied by all associated warranties, conditions, limitations, and notices. TI is not responsible or liable for such altered documentation. Information of third parties may be subject to additional restrictions.

Resale of TI components or services with statements different from or beyond the parameters stated by TI for that component or service voids all express and any implied warranties for the associated TI component or service and is an unfair and deceptive business practice. TI is not responsible or liable for any such statements.

Buyer acknowledges and agrees that it is solely responsible for compliance with all legal, regulatory and safety-related requirements concerning its products, and any use of TI components in its applications, notwithstanding any applications-related information or support that may be provided by TI. Buyer represents and agrees that it has all the necessary expertise to create and implement safeguards which anticipate dangerous consequences of failures, monitor failures and their consequences, lessen the likelihood of failures that might cause harm and take appropriate remedial actions. Buyer will fully indemnify TI and its representatives against any damages arising out of the use of any TI components in safety-critical applications.

In some cases, TI components may be promoted specifically to facilitate safety-related applications. With such components, TI's goal is to help enable customers to design and create their own end-product solutions that meet applicable functional safety standards and requirements. Nonetheless, such components are subject to these terms.

No TI components are authorized for use in FDA Class III (or similar life-critical medical equipment) unless authorized officers of the parties have executed a special agreement specifically governing such use.

Only those TI components which TI has specifically designated as military grade or "enhanced plastic" are designed and intended for use in military/aerospace applications or environments. Buyer acknowledges and agrees that any military or aerospace use of TI components which have **not** been so designated is solely at the Buyer's risk, and that Buyer is solely responsible for compliance with all legal and regulatory requirements in connection with such use.

TI has specifically designated certain components as meeting ISO/TS16949 requirements, mainly for automotive use. In any case of use of non-designated products, TI will not be responsible for any failure to meet ISO/TS16949.

Products

Audio	www.ti.com/audio
Amplifiers	amplifier.ti.com
Data Converters	dataconverter.ti.com
DLP® Products	www.dlp.com
DSP	dsp.ti.com
Clocks and Timers	www.ti.com/clocks
Interface	interface.ti.com
Logic	logic.ti.com
Power Mgmt	power.ti.com
Microcontrollers	microcontroller.ti.com
RFID	www.ti-rfid.com
OMAP Applications Processors	www.ti.com/omap
Wireless Connectivity	www.ti.com/wirelessconnectivity

Applications

Automotive and Transportation	www.ti.com/automotive
Communications and Telecom	www.ti.com/communications
Computers and Peripherals	www.ti.com/computers
Consumer Electronics	www.ti.com/consumer-apps
Energy and Lighting	www.ti.com/energy
Industrial	www.ti.com/industrial
Medical	www.ti.com/medical
Security	www.ti.com/security
Space, Avionics and Defense	www.ti.com/space-avionics-defense
Video and Imaging	www.ti.com/video

TI E2E Community

e2e.ti.com