

LM18298

LM18298 Dual Full-Bridge Driver



Literature Number: SNOSC18A

LM18298 Dual Full-Bridge Driver

General Description

The LM18298 is a high voltage, high current dual full-bridge driver designed to accept standard TTL logic levels and drive inductive loads such as relays, solenoids, DC and stepping motors. Two enable inputs are provided to gate the input control signals.

The emitters of the lower transistors of each bridge are connected together and the corresponding external terminal can be used for the connection of a current sensing resistor. An additional supply input is provided to accommodate conventional logic supply voltages.

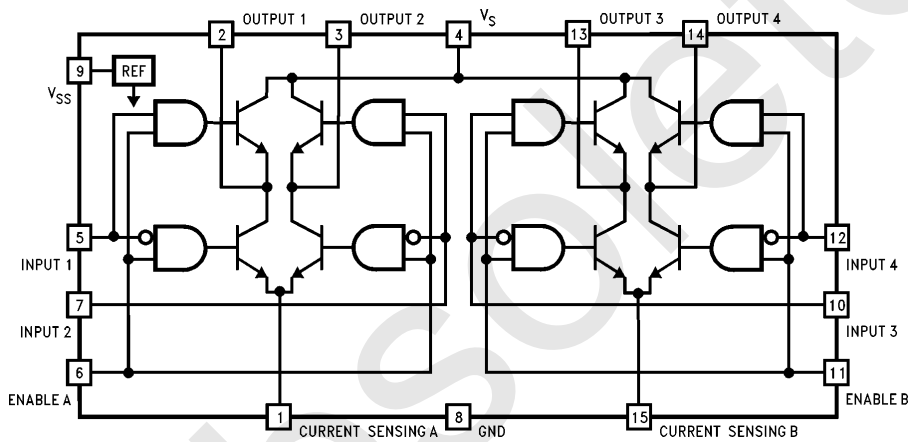
Features

- Power supply voltage up to 46V
- 2A output per channel
- Low saturation voltage
- Thermal shutdown protection
- Logical "0" input voltage up to 1.5V (High noise immunity)
- Pin for pin replacement for L298N

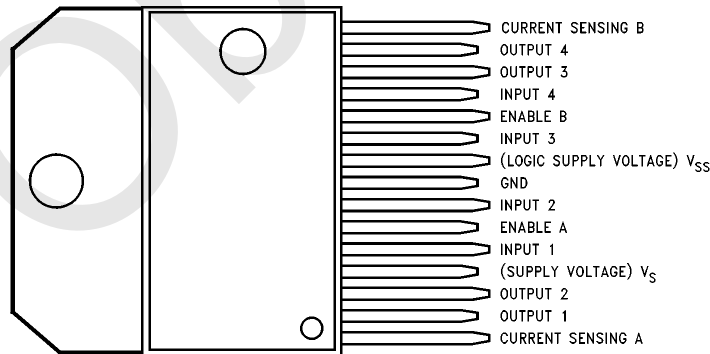
Applications

- DC and stepper motor drivers
- Relay and solenoid drivers

Block & Connection Diagrams



TL/H/9302-1



TL/H/9302-2

TO 220-15
Order Number LM18298T
NS Package Number TA15A

Absolute Maximum Ratings (Note 1)

If Military/Aerospace specified devices are required, please contact the National Semiconductor Sales Office/Distributors for availability and specifications.

Main Supply (Pin 4)	50V
Logic Supply (Pin 9)	7V
Logic Inputs (Pins 5, 6, 7, 10, 11, 12)	-0.3 to 7V
Peak Output Current (Per Channel)	
Non-Repetitive (t = 100 μs)	3A
Repetitive (80% duty cycle, t _{ON} = 10 ms)	2.5A
DC Operation	2A

Sense Voltage (Pins 1, 15)	-1 to +2.3V
Power Dissipation (Note 2)	25W
ESD Susceptibility (Note 3)	1 kV
Lead Temperature (Soldering, 10 seconds)	260°C
Storage Temperature Range	-65°C to +150°C

Operating Ratings

Junction Temperature Range (T _J)	-40°C to +150°C
Main Supply (Pin 4)	46V

Electrical Characteristics

V_S = 42V, V_{SS} = 5V, I_O = 0A, T_J = 25°C, L = 0V, H = 5V, unless otherwise specified

Symbol	Parameter	Conditions	Typical (Note 4)	Limit (Note 5)	Units (Limits)
V _S	Main Supply Voltage (Pin 4)			V _{SS} + 2.5	V (min)
				46	V (max)
V _{SS}	Logic Supply Voltage (Pin 9)			4.5	V (min)
				7	V (max)
I _S	Main Supply Quiescent Current (Pin 4)	Enable = H, Input = L	9	22	mA (max)
		Enable = H, Input = H	32	70	
		Enable = L, Input = X		4	
I _{SS}	Logic Supply Quiescent Current (Pin 9)	Enable = H, Input = L	22	36	mA (max)
		Enable = H, Input = H	6	12	
		Enable = L, Input = X		6	
V _{IL}	Low Level Input Voltage (Pins 5, 7, 10, 12)			-0.3	V (min)
				1.5	V (max)
V _{IH}	High Level Input Voltage (Pins 5, 7, 10, 12)			2.3	V (min)
				V _{SS}	V (max)
I _{IL}	Low Level Input Current (Pins 5, 7, 10, 12)	Input = L		-10	μA (max)
I _{IH}	High Level Input Current (Pins 5, 7, 10, 12)	Input = H	30	100	μA (max)
V _{EN L}	Low Level Enable Voltage (Pins 6, 11)			-0.3	V (min)
				1.5	V (max)
V _{EN H}	High Level Enable Voltage (Pins 6, 11)			2.3	V (min)
				V _{SS}	V (max)
I _{EN L}	Low Level Enable Input Current (Pins 6, 11)	Enable = L		-10	μA (max)
I _{EN H}	High Level Enable Input Current (Pins 6, 11)	Enable = H	30	100	μA (max)

Electrical Characteristics (Continued)

$V_S = 42V$, $V_{SS} = 5V$, $I_O = 0A$, $T_J = 25^\circ C$, unless otherwise specified

Symbol	Parameter	Conditions	Typical (Note 4)	Limit (Note 5)	Units (Limits)
$V_{CE\ sat\ (H)}$	Source Saturation Voltage (Pins 2, 3, 13, 14)	$I_O = 1A$	1.35	1.7	V (max)
		$I_O = 2A$	2.0	2.7	
$V_{CE\ sat\ (L)}$	Sink Saturation Voltage (Pins 2, 3, 13, 14)	$I_O = 1A$	1.2	1.6	V (max)
		$I_O = 2A$	1.7	2.3	
$V_{CE\ sat}$	Total Drop $V_{CE\ sat\ (H)} + V_{CE\ sat\ (L)}$	$I_O = 1A$		3.2	V (max)
		$I_O = 2A$		4.9	
V_{sense}	Sensing Voltage (Pins 1, 15)	$t \leq 50\ \mu s$		-1	V (min)
		Continuous		-0.5	
		Continuous		2	V (max)
T_1	Source Current Turn-Off Delay	0.5 Input to 0.9 I_O (Figure 2)	0.5		μs
T_2	Source Current Fall Time	0.9 I_O to 0.1 I_O (Figure 2)	0.15		μs
T_3	Source Current Turn-On Delay	0.5 Input to 0.1 I_O (Figure 2)	1.3		μs
T_4	Source Current Rise Time	0.1 I_O to 0.9 I_O (Figure 2)	0.85		μs
T_5	Sink Current Turn-Off Delay	0.5 Input to 0.9 I_O (Figure 3)	0.25		μs
T_6	Sink Current Fall Time	0.9 I_O to 0.1 I_O (Figure 3)	0.1		μs
T_7	Sink Current Turn-On Delay	0.5 Input to 0.1 I_O (Figure 3)	1.3		μs
T_8	Sink Current Rise Time	0.1 I_O to 0.9 I_O (Figure 3)	0.1		μs
f_C	Commutation Frequency	$I_O = 2A$	25		kHz

Note 1: Absolute Maximum Ratings indicate limits beyond which damage to the device may occur. DC and AC electrical specifications do not apply when operating the device beyond its specified **Operating Ratings**.

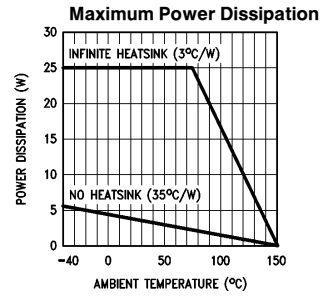
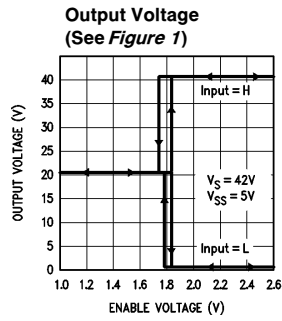
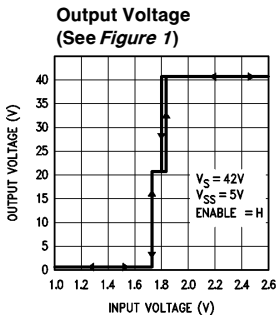
Note 2: The maximum power dissipation must be derated at elevated temperatures and is a function of $T_{J\ max}$, θ_{JC} , and T_C . The maximum allowable power dissipation at any temperature is $P_{D\ max} = (T_{J\ max} - T_C)/\theta_{JC}$ or the number given in the **Absolute Maximum Ratings**, whichever is lower. The typical junction-to-case thermal resistance (θ_{JC}) of the LM18298 is $3^\circ C/W$.

Note 3: Human body model, 100 pF discharged through a 1.5 k Ω resistor.

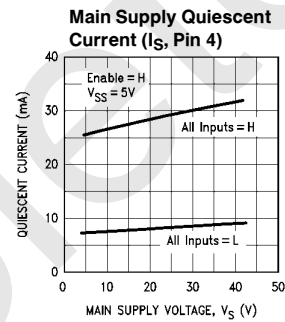
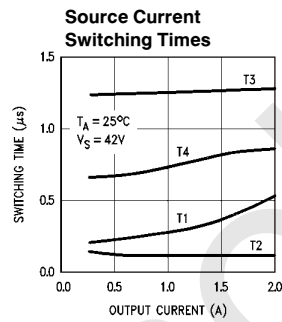
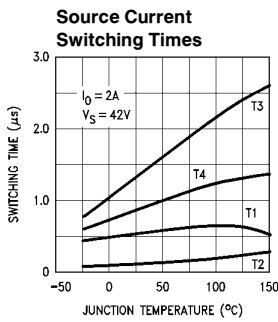
Note 4: Typical values are at $25^\circ C$ and represent the most likely parametric norm.

Note 5: Limits are guaranteed and 100% tested.

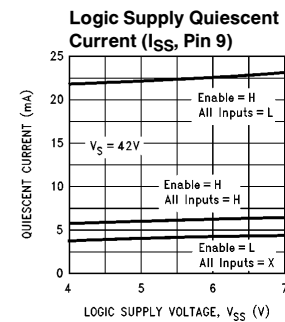
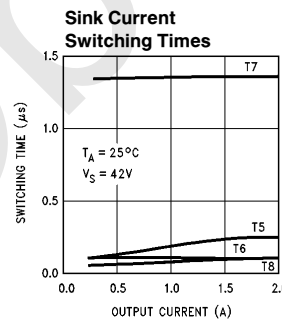
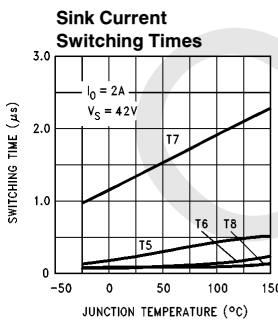
Typical Performance Characteristics



TL/H/9302-3

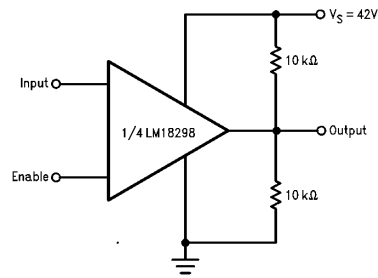


TL/H/9302-12



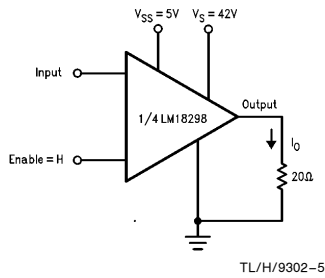
TL/H/9302-13

Test Circuits



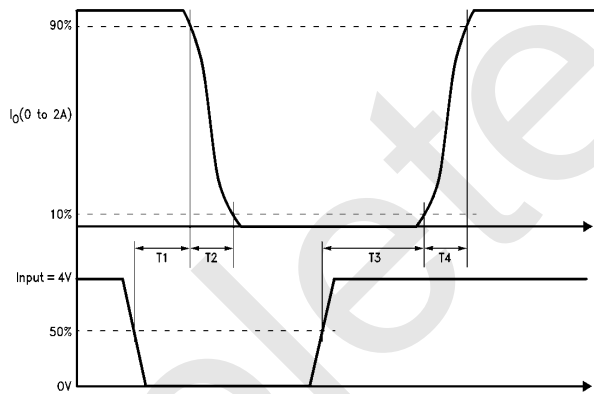
TL/H/9302-4

FIGURE 1. Input/Enable Threshold Test Circuit



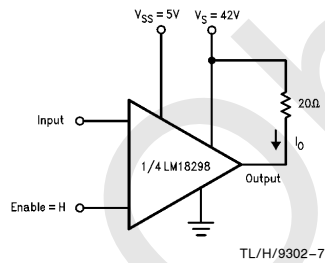
TL/H/9302-5

FIGURE 2(a). Source Current Switching Time Test Circuit



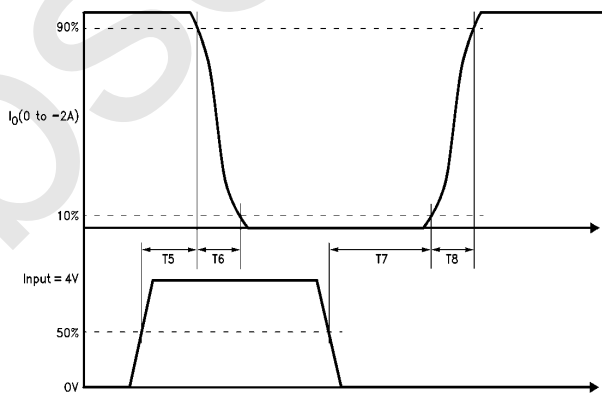
TL/H/9302-6

FIGURE 2(b). Source Current Switching Time Definitions



TL/H/9302-7

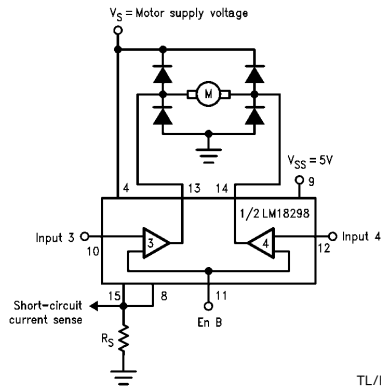
FIGURE 3(a). Sink Current Switching Time Test Circuit



TL/H/9302-8

FIGURE 3(b). Sink Current Switching Time Definitions

Applications Information

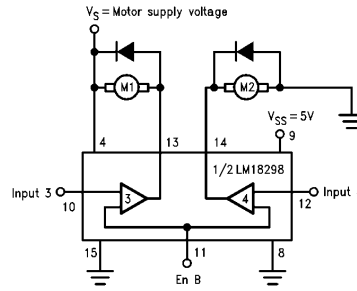


TL/H/9302-9

Enable B	Inputs	Motor Direction
H	Input 3 = H, Input 4 = L	Clockwise
	Input 3 = L, Input 4 = H	Counterclockwise
	Input 3 = Input 4	Dynamic Braking
L	Input 3 = X, Input 4 = Input 3	Coast to a Stop

L = Low H = High X = don't care

FIGURE 4. Bidirectional DC Motor Control

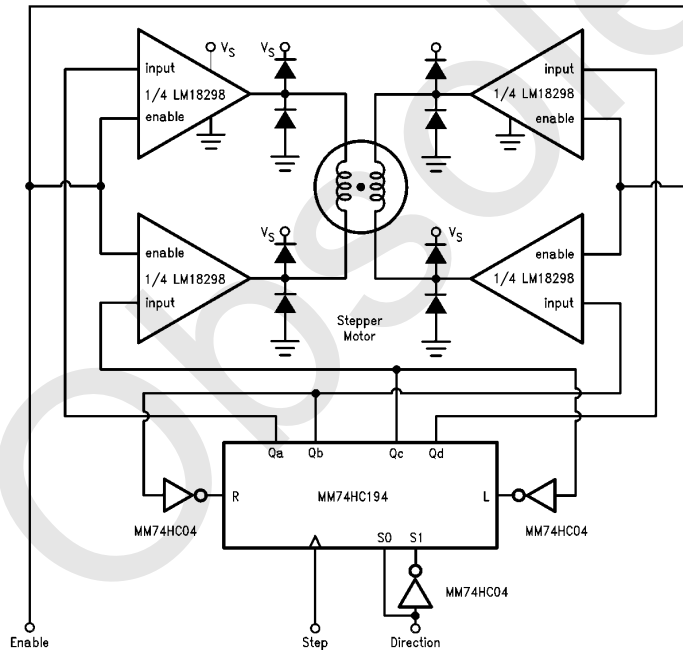


TL/H/9302-10

Enable B	Input 3	Motor 1	Input 4	Motor 2
H	H	Dynamic Braking	H	Run
H	L	Run	L	Dynamic Braking
L	X	Coast to a Stop	X	Coast to a Stop

L = Low H = High X = Don't Care

FIGURE 5. 2-Motor Controller
(Using both High- and Low-Side Driver Modes)



TL/H/9302-11

FIGURE 6. Two-Phase Bipolar Stepper Motor Control Circuit

CLAMP DIODES

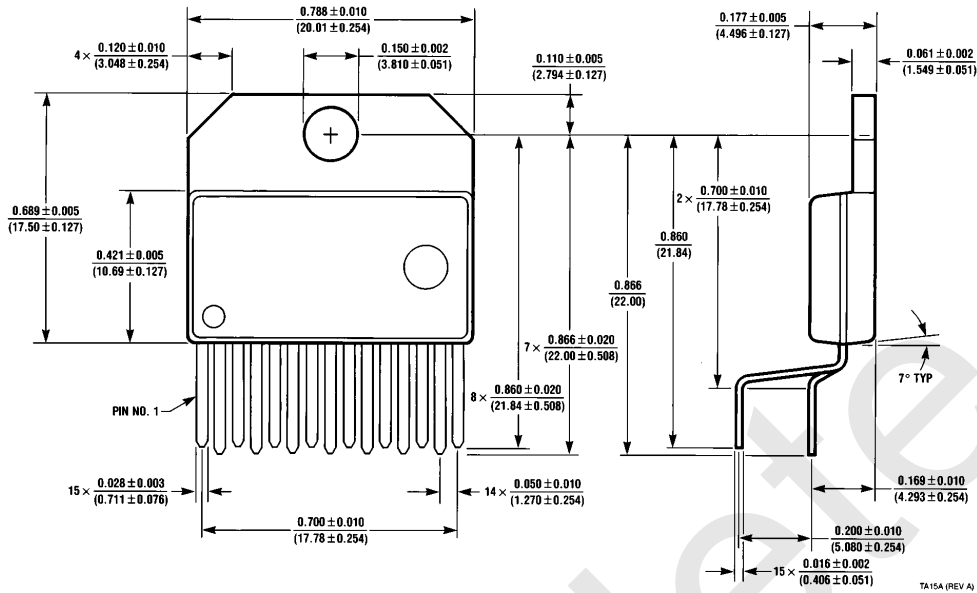
When driving inductive loads, diodes are necessary to clamp spikes at the LM18298 outputs. Clamp diodes must have a recovery time of 200 ns or better and a forward drop

of 1.2V or less at the rated load current. Typical devices are the MB346 (Microsemi Corp., Santa Ana, CA), and the V331X (Varo Semiconductor Inc., Garland, TX).

Obsolete

LM18298 Dual Full-Bridge Driver

Physical Dimensions inches (millimeters)



Order Number LM18298T
See NS Package Number TA15A

LIFE SUPPORT POLICY

NATIONAL'S PRODUCTS ARE NOT AUTHORIZED FOR USE AS CRITICAL COMPONENTS IN LIFE SUPPORT DEVICES OR SYSTEMS WITHOUT THE EXPRESS WRITTEN APPROVAL OF THE PRESIDENT OF NATIONAL SEMICONDUCTOR CORPORATION. As used herein:

1. Life support devices or systems are devices or systems which, (a) are intended for surgical implant into the body, or (b) support or sustain life, and whose failure to perform, when properly used in accordance with instructions for use provided in the labeling, can be reasonably expected to result in a significant injury to the user.
2. A critical component is any component of a life support device or system whose failure to perform can be reasonably expected to cause the failure of the life support device or system, or to affect its safety or effectiveness.



National Semiconductor Corporation
1111 West Bardin Road
Arlington, TX 76017
Tel: 1(800) 272-9959
Fax: 1(800) 737-7018

National Semiconductor Europe
Fax: (+49) 0-180-530 85 86
Email: cnjwge@tevm2.nsc.com
Deutsch Tel: (+49) 0-180-530 85 85
English Tel: (+49) 0-180-532 78 32
Français Tel: (+49) 0-180-532 93 58
Italiano Tel: (+49) 0-180-534 16 80

National Semiconductor Hong Kong Ltd.
19th Floor, Straight Block,
Ocean Centre, 5 Canton Rd.
Tsimshatsui, Kowloon
Hong Kong
Tel: (852) 2737-1600
Fax: (852) 2736-9960

National Semiconductor Japan Ltd.
Tel: 81-043-299-2309
Fax: 81-043-299-2408

National does not assume any responsibility for use of any circuitry described, no circuit patent licenses are implied and National reserves the right at any time without notice to change said circuitry and specifications.

IMPORTANT NOTICE

Texas Instruments Incorporated and its subsidiaries (TI) reserve the right to make corrections, modifications, enhancements, improvements, and other changes to its products and services at any time and to discontinue any product or service without notice. Customers should obtain the latest relevant information before placing orders and should verify that such information is current and complete. All products are sold subject to TI's terms and conditions of sale supplied at the time of order acknowledgment.

TI warrants performance of its hardware products to the specifications applicable at the time of sale in accordance with TI's standard warranty. Testing and other quality control techniques are used to the extent TI deems necessary to support this warranty. Except where mandated by government requirements, testing of all parameters of each product is not necessarily performed.

TI assumes no liability for applications assistance or customer product design. Customers are responsible for their products and applications using TI components. To minimize the risks associated with customer products and applications, customers should provide adequate design and operating safeguards.

TI does not warrant or represent that any license, either express or implied, is granted under any TI patent right, copyright, mask work right, or other TI intellectual property right relating to any combination, machine, or process in which TI products or services are used. Information published by TI regarding third-party products or services does not constitute a license from TI to use such products or services or a warranty or endorsement thereof. Use of such information may require a license from a third party under the patents or other intellectual property of the third party, or a license from TI under the patents or other intellectual property of TI.

Reproduction of TI information in TI data books or data sheets is permissible only if reproduction is without alteration and is accompanied by all associated warranties, conditions, limitations, and notices. Reproduction of this information with alteration is an unfair and deceptive business practice. TI is not responsible or liable for such altered documentation. Information of third parties may be subject to additional restrictions.

Resale of TI products or services with statements different from or beyond the parameters stated by TI for that product or service voids all express and any implied warranties for the associated TI product or service and is an unfair and deceptive business practice. TI is not responsible or liable for any such statements.

TI products are not authorized for use in safety-critical applications (such as life support) where a failure of the TI product would reasonably be expected to cause severe personal injury or death, unless officers of the parties have executed an agreement specifically governing such use. Buyers represent that they have all necessary expertise in the safety and regulatory ramifications of their applications, and acknowledge and agree that they are solely responsible for all legal, regulatory and safety-related requirements concerning their products and any use of TI products in such safety-critical applications, notwithstanding any applications-related information or support that may be provided by TI. Further, Buyers must fully indemnify TI and its representatives against any damages arising out of the use of TI products in such safety-critical applications.

TI products are neither designed nor intended for use in military/aerospace applications or environments unless the TI products are specifically designated by TI as military-grade or "enhanced plastic." Only products designated by TI as military-grade meet military specifications. Buyers acknowledge and agree that any such use of TI products which TI has not designated as military-grade is solely at the Buyer's risk, and that they are solely responsible for compliance with all legal and regulatory requirements in connection with such use.

TI products are neither designed nor intended for use in automotive applications or environments unless the specific TI products are designated by TI as compliant with ISO/TS 16949 requirements. Buyers acknowledge and agree that, if they use any non-designated products in automotive applications, TI will not be responsible for any failure to meet such requirements.

Following are URLs where you can obtain information on other Texas Instruments products and application solutions:

Products

Audio	www.ti.com/audio
Amplifiers	amplifier.ti.com
Data Converters	dataconverter.ti.com
DLP® Products	www.dlp.com
DSP	dsp.ti.com
Clocks and Timers	www.ti.com/clocks
Interface	interface.ti.com
Logic	logic.ti.com
Power Mgmt	power.ti.com
Microcontrollers	microcontroller.ti.com
RFID	www.ti-rfid.com
OMAP Mobile Processors	www.ti.com/omap
Wireless Connectivity	www.ti.com/wirelessconnectivity

Applications

Communications and Telecom	www.ti.com/communications
Computers and Peripherals	www.ti.com/computers
Consumer Electronics	www.ti.com/consumer-apps
Energy and Lighting	www.ti.com/energy
Industrial	www.ti.com/industrial
Medical	www.ti.com/medical
Security	www.ti.com/security
Space, Avionics and Defense	www.ti.com/space-avionics-defense
Transportation and Automotive	www.ti.com/automotive
Video and Imaging	www.ti.com/video

TI E2E Community Home Page

e2e.ti.com

Mailing Address: Texas Instruments, Post Office Box 655303, Dallas, Texas 75265
Copyright © 2011, Texas Instruments Incorporated