

DS9622

DS9622 Dual Line Receiver



Literature Number: SNOSC49A

DS9622

Dual Line Receiver

General Description

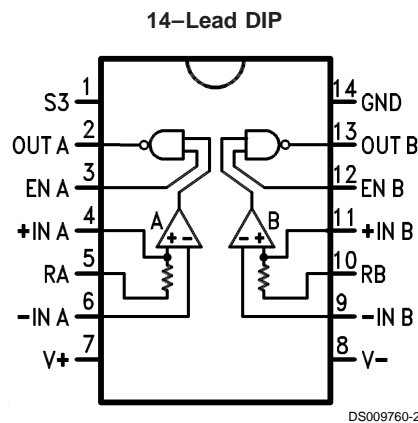
The DS9622 is a dual line receiver designed to discriminate a worst case logic swing of 2V from a $\pm 10V$ common mode noise signal or ground shift. A 1.5V threshold is built into the differential amplifier to offer a TTL compatible threshold voltage and maximum noise immunity. The offset is obtained by use of current sources and matched resistors.

The DS9622 allows the choice of output states with the input open, without affecting circuit performance by use of S3. A 130 Ω terminating resistor is provided at the input of each line receiver. An enable is also provided for each line receiver. The output is TTL compatible. The output high level can be increased to 12V by tying it to a positive supply through a resistor. The output circuits allow wired-OR operation.

Features

- TTL compatible threshold voltage
- Input terminating resistors
- Choice of output state with inputs open
- TTL compatible output
- High common mode
- Wired-OR capability
- Enable inputs
- Logic compatible supply voltages

Connection Diagram



Top View

For Complete Military 883 Specifications, see RETS Datasheet.

Order Number DS9622ME/883,
DS9622MJ/883 or DS9622MW/883
See NS Package Number E20A, J14A or W14B

Absolute Maximum Ratings (Note 1)

If Military/Aerospace specified devices are required, please contact the National Semiconductor Sales Office/Distributors for availability and specifications.

Storage Temperature Range	-65°C to +175°C
Operating Temperature Range	-55°C to +125°C
Lead Temperature (Soldering, 60 sec.)	300°C
Internal Power Dissipation (Note 5)	400 mW
V ⁺ to GND	-0.5V to +7.0V
Input Voltage	±15V

Voltage Applied to Outputs

for Output High State	-0.5V to +13.2V
V ⁻ to GND	-0.5V to -12V
Enable to GND	-0.5V to +15V

Operating Conditions

	Min	Max	Units
Supply Voltage, V _{CC}	4.5	5.5	V
Temperature, T _A	-55	+125	°C

Electrical Characteristics (Notes 2, 3)

Symbol	Parameter	Conditions	Min	Max	Units	
V _{OL}	Output Voltage LOW	V ⁺ = S3 = 4.5V, V ⁻ = -11V, V _{DIFF} = 2.0V, I _{OL} = 12.4 mA, EN = Open		0.4	V	
V _{OH}	Output Voltage HIGH	V ⁺ = 4.5V, V ⁻ = -9.0V, S3 = 0V, V _{DIFF} = 1.0V, I _{OH} = -0.2 mA, EN = Open	2.8		V	
I _{CEx}	Output Leakage Current	V ⁺ = 4.5V, V ⁻ = -11V, S3 = 0V, V _{DIFF} = 1.0V, V _O = 12V, EN = Open		200	μA	
I _{OS}	Output Short Circuit Current (Note 4)	V ⁺ = 5.0V, V ⁻ = -10V, V _{DIFF} = 1.0V, V _O = S3 = 0V, EN = Open	-3.1	-1.4	mA	
I _R (EN)	Enable Input Leakage Current	V ⁺ = S3 = 4.5V, V ⁻ = -11V, I _N = Open, EN = 4.0V		5.0	μA	
I _F (EN)	Enable Input Forward Current	V ⁺ = 5.5V, V ⁻ = -9.0V V _I = Open, EN = S3 = 0V	-1.5		mA	
I _F (+IN)	+Input Forward Current	V ⁺ = 5.0V, V ⁻ = -10V, V _I ⁺ = 0V, V _I ⁻ = GND, EN = S3 = Open	-2.3		mA	
I _F (-IN)	-Input Forward Current	V ⁺ = S3 = 5.0V, V ⁻ = -10V, V _I ⁺ = GND, V _I ⁻ = 0V, EN = Open	-2.6		mA	
V _{IL} (EN)	Input Voltage LOW	4.5V ≤ V ⁺ ≤ 5.5V, -11V ≤ V ⁻ ≤ -9.0V, EN = Open	+25°C	1.0	V	
			+125°C	0.7	V	
			-55°C	1.3	V	
V _{TH}	Differential Input Threshold Voltage	4.5V, ≤ V ⁺ ≤ 5.5V, -11V ≤ V ⁻ ≤ -9.0V, EN = Open	1.0	2.0	V	
V _{CM}	Common Mode Voltage	V ⁺ = 5.0V, V ⁻ = -10V, 1.0V ≤ V _{DIFF} ≤ 2.0V	25°C	-10	+10	V
R _T	Terminating Resistance		25°C	91	215	Ω
I ⁺	Positive Supply Current	V ⁺ = S3 = V _I ⁺ = 5.5V, V ⁻ = 11V, V _I ⁻ = 0V	25°C		22.9	mA
I ⁻	Negative Supply Current			-11.1		mA

Electrical Characteristics (Notes 2, 3) (Continued)

Symbol	Parameter	Conditions	Min	Max	Units
SWITCHING CHARACTERISTICS $T_A = 25^\circ\text{C}$					
t_{PLH}	Propagation Delay to High Level	$V^+ = 5.0\text{V}$, $V^- = -10\text{V}$, $0\text{V} \leq V_I \leq 3.0\text{V}$, $C_L = 30\text{ pF}$ (See Figure 1)	$R_L = 3.9\text{ k}\Omega$	50	ns
t_{PHL}	Propagation Delay to Low Level		$R_L = 390\Omega$	50	ns

Note 1: "Absolute Maximum Ratings" are those values beyond which the safety of the device cannot be guaranteed. They are not meant to imply that the devices should be operated at these limits. The tables of "Electrical Characteristics" provide conditions for actual device operation.

Note 2: Unless otherwise specified Min/Max limits apply across the -55°C to $+125^\circ\text{C}$ temperature range. All typicals are given for $V_{CC} = 5\text{V}$ and $T_A = 25^\circ\text{C}$.

Note 3: All currents into device pins are positive; all currents out of device pins are negative. All voltages are referenced to ground unless otherwise specified.

Note 4: Only one output at a time should be shorted.

Note 5: Rating applies to ambient temperatures up to $+125^\circ\text{C}$. Above 125°C ambient, derate linearity at 120°C/W .

Switching Time Test Circuit and Waveforms

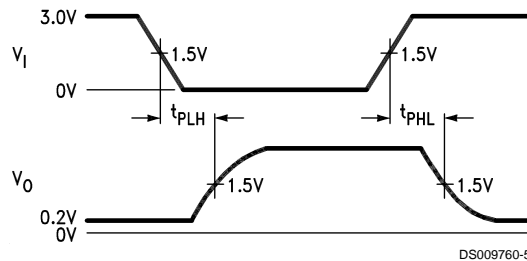
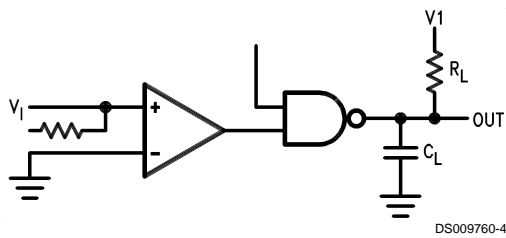
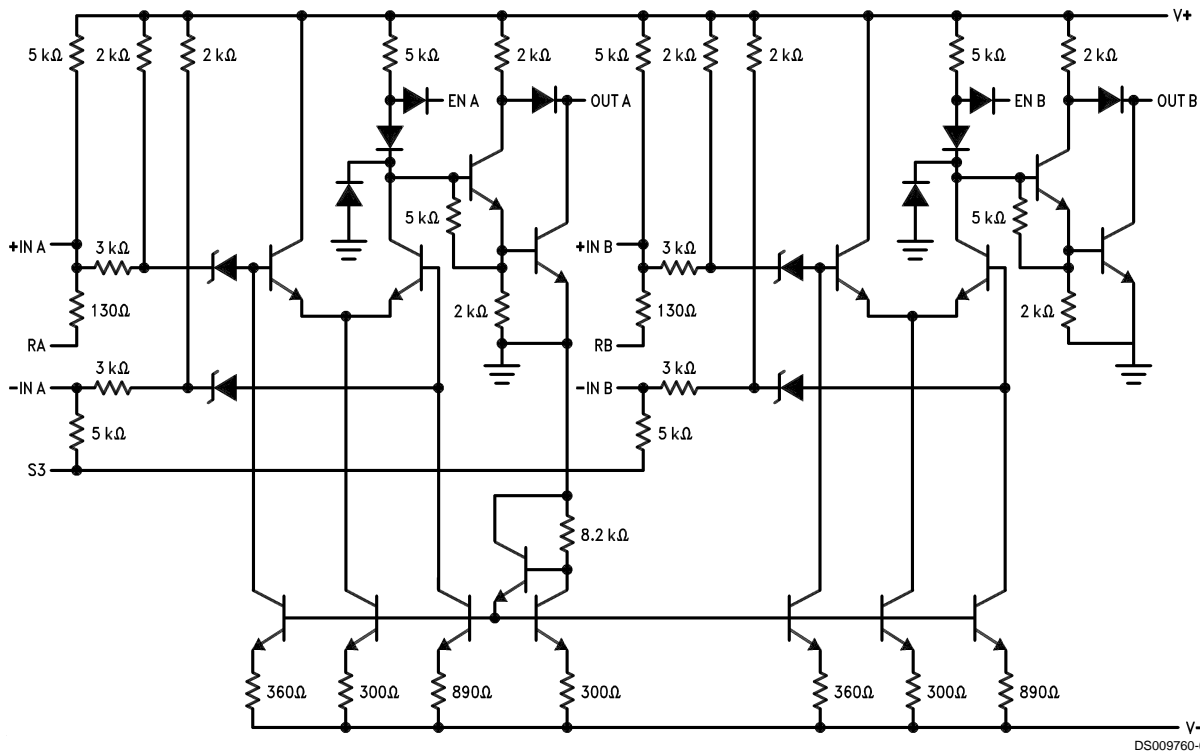


FIGURE 1.

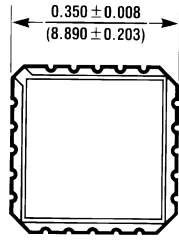
Equivalent Circuit



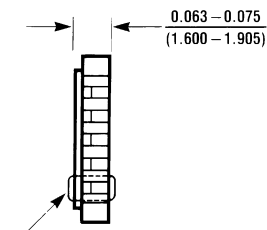
Typical Applications

When S3 is connected to V^- , open inputs cause output to be high. When $V^+ = 5\text{V}$, $V^- = -10\text{V}$ and S3 is connected to ground, open inputs cause output to be low.

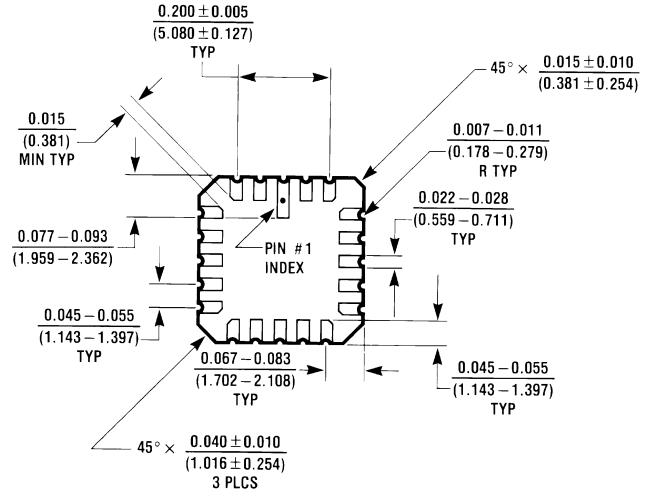
Physical Dimensions inches (millimeters) unless otherwise noted



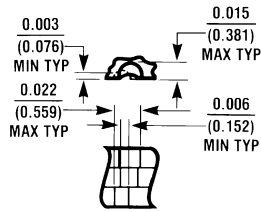
Top View



Side View



Bottom View

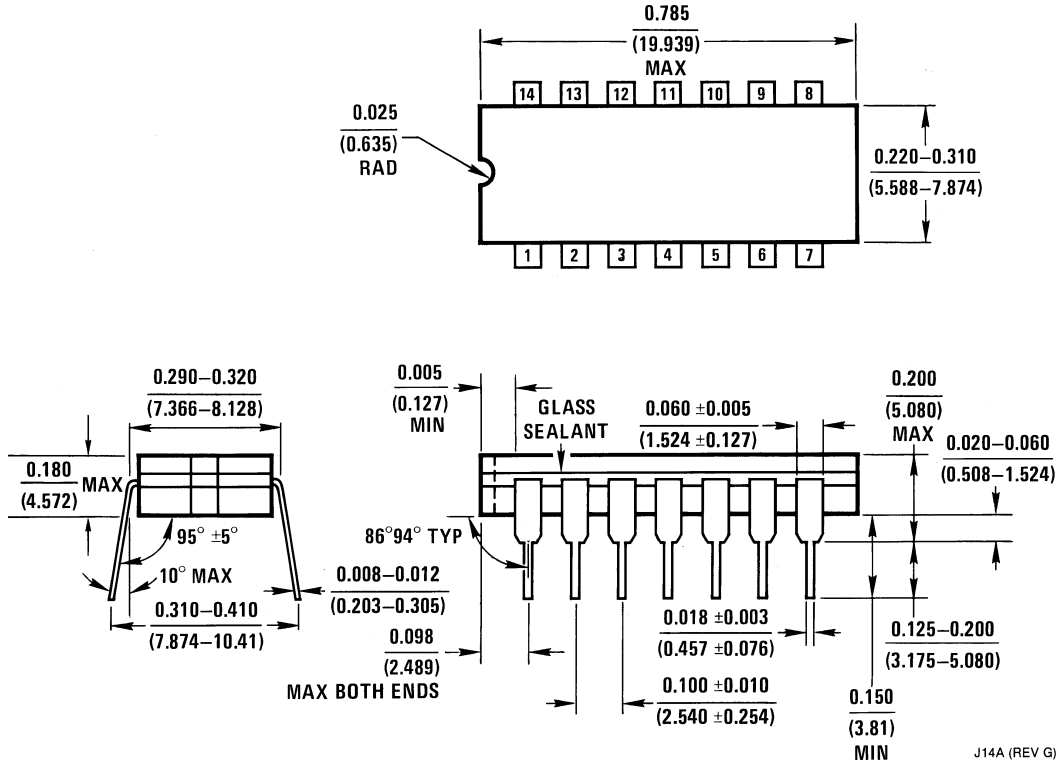


Detail A

E20A (REV D)

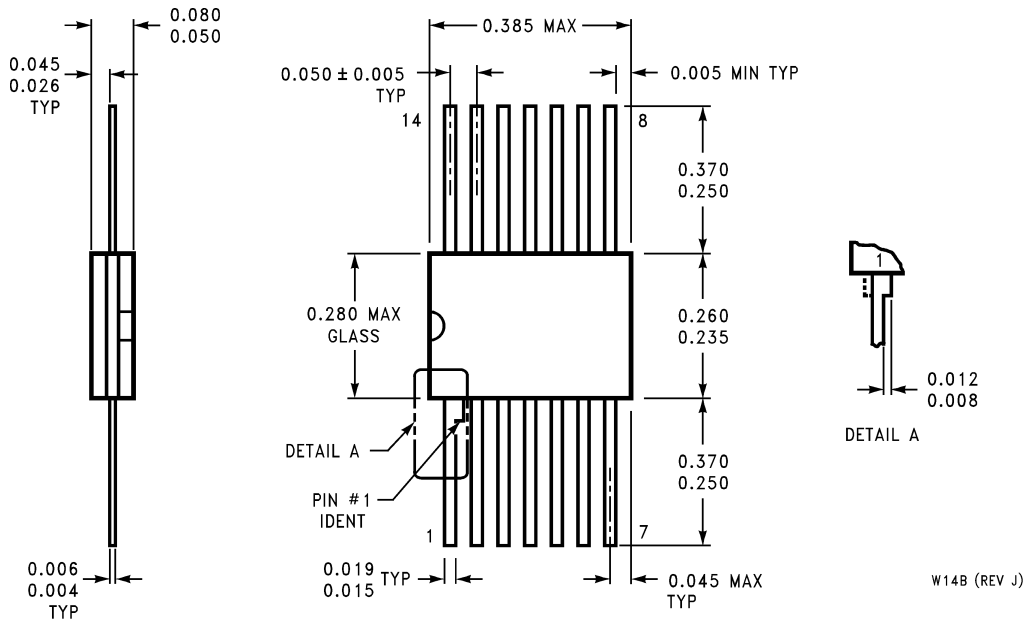
Ceramic Leadless Chip Carrier (LCC)
Order Number DS9622ME/883
NS Package Number E20A

Physical Dimensions inches (millimeters) unless otherwise noted (Continued)



Ceramic Dual-In-Line Package (J)
Order Number DS9622MJ/883
NS Package Number J14A

J14A (REV G)



Lead Cerpack (W)
Order Number DS9622MW/883
NS Package Number W14B

W14B (REV J)

Notes

LIFE SUPPORT POLICY

NATIONAL'S PRODUCTS ARE NOT AUTHORIZED FOR USE AS CRITICAL COMPONENTS IN LIFE SUPPORT DEVICES OR SYSTEMS WITHOUT THE EXPRESS WRITTEN APPROVAL OF THE PRESIDENT AND GENERAL COUNSEL OF NATIONAL SEMICONDUCTOR CORPORATION. As used herein:

1. Life support devices or systems are devices or systems which, (a) are intended for surgical implant into the body, or (b) support or sustain life, and whose failure to perform when properly used in accordance with instructions for use provided in the labeling, can be reasonably expected to result in a significant injury to the user.
2. A critical component is any component of a life support device or system whose failure to perform can be reasonably expected to cause the failure of the life support device or system, or to affect its safety or effectiveness.



National Semiconductor Corporation
Americas
Email: support@nsc.com

www.national.com

National Semiconductor Europe

Fax: +49 (0) 180-530 85 86
Email: europe.support@nsc.com
Deutsch Tel: +49 (0) 69 9508 6208
English Tel: +44 (0) 870 24 0 2171
Français Tel: +33 (0) 1 41 91 8790

National Semiconductor Asia Pacific Customer Response Group

Tel: 65-2544466
Fax: 65-2504466
Email: ap.support@nsc.com

National Semiconductor Japan Ltd.

Tel: 81-3-5639-7560
Fax: 81-3-5639-7507

IMPORTANT NOTICE

Texas Instruments Incorporated and its subsidiaries (TI) reserve the right to make corrections, modifications, enhancements, improvements, and other changes to its products and services at any time and to discontinue any product or service without notice. Customers should obtain the latest relevant information before placing orders and should verify that such information is current and complete. All products are sold subject to TI's terms and conditions of sale supplied at the time of order acknowledgment.

TI warrants performance of its hardware products to the specifications applicable at the time of sale in accordance with TI's standard warranty. Testing and other quality control techniques are used to the extent TI deems necessary to support this warranty. Except where mandated by government requirements, testing of all parameters of each product is not necessarily performed.

TI assumes no liability for applications assistance or customer product design. Customers are responsible for their products and applications using TI components. To minimize the risks associated with customer products and applications, customers should provide adequate design and operating safeguards.

TI does not warrant or represent that any license, either express or implied, is granted under any TI patent right, copyright, mask work right, or other TI intellectual property right relating to any combination, machine, or process in which TI products or services are used. Information published by TI regarding third-party products or services does not constitute a license from TI to use such products or services or a warranty or endorsement thereof. Use of such information may require a license from a third party under the patents or other intellectual property of the third party, or a license from TI under the patents or other intellectual property of TI.

Reproduction of TI information in TI data books or data sheets is permissible only if reproduction is without alteration and is accompanied by all associated warranties, conditions, limitations, and notices. Reproduction of this information with alteration is an unfair and deceptive business practice. TI is not responsible or liable for such altered documentation. Information of third parties may be subject to additional restrictions.

Resale of TI products or services with statements different from or beyond the parameters stated by TI for that product or service voids all express and any implied warranties for the associated TI product or service and is an unfair and deceptive business practice. TI is not responsible or liable for any such statements.

TI products are not authorized for use in safety-critical applications (such as life support) where a failure of the TI product would reasonably be expected to cause severe personal injury or death, unless officers of the parties have executed an agreement specifically governing such use. Buyers represent that they have all necessary expertise in the safety and regulatory ramifications of their applications, and acknowledge and agree that they are solely responsible for all legal, regulatory and safety-related requirements concerning their products and any use of TI products in such safety-critical applications, notwithstanding any applications-related information or support that may be provided by TI. Further, Buyers must fully indemnify TI and its representatives against any damages arising out of the use of TI products in such safety-critical applications.

TI products are neither designed nor intended for use in military/aerospace applications or environments unless the TI products are specifically designated by TI as military-grade or "enhanced plastic." Only products designated by TI as military-grade meet military specifications. Buyers acknowledge and agree that any such use of TI products which TI has not designated as military-grade is solely at the Buyer's risk, and that they are solely responsible for compliance with all legal and regulatory requirements in connection with such use.

TI products are neither designed nor intended for use in automotive applications or environments unless the specific TI products are designated by TI as compliant with ISO/TS 16949 requirements. Buyers acknowledge and agree that, if they use any non-designated products in automotive applications, TI will not be responsible for any failure to meet such requirements.

Following are URLs where you can obtain information on other Texas Instruments products and application solutions:

Products

Audio	www.ti.com/audio
Amplifiers	amplifier.ti.com
Data Converters	dataconverter.ti.com
DLP® Products	www.dlp.com
DSP	dsp.ti.com
Clocks and Timers	www.ti.com/clocks
Interface	interface.ti.com
Logic	logic.ti.com
Power Mgmt	power.ti.com
Microcontrollers	microcontroller.ti.com
RFID	www.ti-rfid.com
OMAP Mobile Processors	www.ti.com/omap
Wireless Connectivity	www.ti.com/wirelessconnectivity

Applications

Communications and Telecom	www.ti.com/communications
Computers and Peripherals	www.ti.com/computers
Consumer Electronics	www.ti.com/consumer-apps
Energy and Lighting	www.ti.com/energy
Industrial	www.ti.com/industrial
Medical	www.ti.com/medical
Security	www.ti.com/security
Space, Avionics and Defense	www.ti.com/space-avionics-defense
Transportation and Automotive	www.ti.com/automotive
Video and Imaging	www.ti.com/video

TI E2E Community Home Page

e2e.ti.com

Mailing Address: Texas Instruments, Post Office Box 655303, Dallas, Texas 75265
Copyright © 2011, Texas Instruments Incorporated