

DS9627

DS9627 Dual Line Receiver



Literature Number: SNOSC50A

DS9627

Dual Line Receiver

General Description

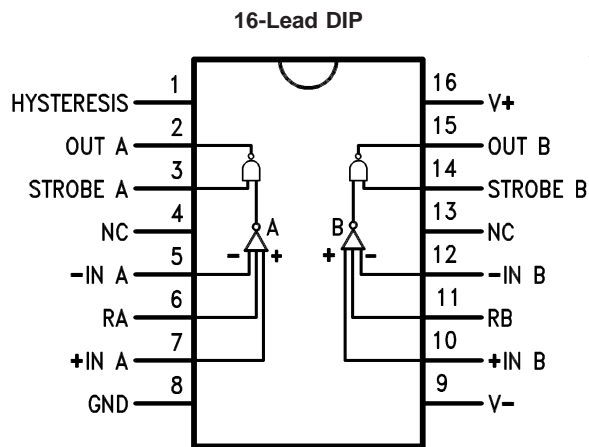
The DS9627 is a dual-line receiver which meets the electrical interface specifications of EIA RS-232C and MIL-STD-188C. The input circuitry accommodates $\pm 25V$ input signals and the differential inputs allow user selection of either inverting or non-inverting logic for the receiver operation. The DS9627 provides both a selectable hysteresis range and selectable receiver input resistance. When pin 1 is tied to V^- , the typical switching points are at 2.6V and $-2.6V$, thus meeting RS-232-C requirements. When pin 1 is open, the typical switching points are at 50 μA and $-50 \mu A$, thus satisfying the requirements of MIL-STD-188C LOW level interface. Connecting the RA and/or RB pins to the (-) input yields an input impedance in the range of 3 k Ω to 7 k Ω and satisfies RS-232-C requirements; leaving RA and/or RB pins unconnected, the input resistance will be greater than 6 k Ω to satisfy MIL-STD-188C.

The output circuitry is TTL/DTL compatible and will allow "collector-dotting" to generate the wired-OR function. A TTL/DTL strobe is also provided for each receiver.

Features

- EIA RS-232-C input standards
- MIL-STD-188C input standards
- Variable hysteresis control
- High common mode rejection
- R control (5 k Ω or 10 k Ω)
- Wired-OR capability
- Choice of inverting and non-inverting inputs
- Outputs and strobe TTL compatible

Connection Diagram



DS009761-1

Top View

Order Number DS9627MJ/883

See NS Package Number J16A

For Complete Military 883 Specifications, see RETS Data Sheet.

Absolute Maximum Ratings (Note 1)

If Military/Aerospace specified devices are required, please contact the National Semiconductor Sales Office/Distributors for availability and specifications.

Storage Temperature Range	-65°C to +175°C
Operating Temperature Range	-55°C to +125°C
Lead Temperature (Soldering, 60 sec.)	300°C
Internal Power Dissipation (Note 5)	400 mW
V ⁺ to GND	0V to +15V
V ⁻ to GND	0V to -15V

Input Voltage Referred to GND	±25V
Strobe to GND	-0.5V to +5.5V
Applied Output Voltage	-0.5V to +15V

Operating Conditions

	Min	Max	Units
Supply Voltage (V _{CC})	4.5	5.5	V
Temperature (T _A)	-55	+125	°C

Electrical Characteristics (Notes 2, 3)

Hysteresis, -IN A, -IN B, RA and RB Open for MIL-STD-188C, unless otherwise specified

Symbol	Characteristics	Conditions	Min	Max	Units
V _{OL}	Output Voltage LOW	V ⁺ = 10.8V, V ⁻ = -13.2V, V _I ⁺ = 0.6V, I _{OL} = 6.4 mA		0.4	V
V _{OH}	Output Voltage HIGH	V ⁺ = 10.8V, V ⁻ = -13.2V, V _I ⁺ = 0.6V, I _{OH} = -0.5 mA	2.4		V
I _{OS}	Output Short Circuit Current (Note 4)	V _I ⁺ = 13.2V, V ⁻ = -10.8V, V _I ⁺ = 0.6V, V _O = 0V	-3.0		mA
I _{IH} (ST)	Input Current HIGH (Strobe)	V ⁺ = 10.8V, V ⁻ = -13.2V, V _I ⁺ = 0.6V	V _{ST} = 2.4V	40	μA
			V _{ST} = 5.5V	1.0	mA
R _I	Input Resistance	V ⁺ = 13.2V, V ⁻ = -13.2V, -3.0V ≤ V _I ⁺ ≤ 3.0V	6.0		kΩ
I _{TH+}	Positive Threshold Current	±10.8V ≤ V _{CC} ≤ ±13.2V, V _O = 2.4V		100	μA
I _{TH-}	Negative Threshold Current	±10.8V ≤ V _{CC} ≤ ±13.2V, V _O = 0.4V	-100		μA
V _{IL} (ST)	Input Voltage LOW (Strobe)	V _I ⁺ = -0.6V		0.8	V
V _{IH} (ST)	Input Voltage HIGH (Strobe)	V ⁺ = 13.2V, V ⁻ = -10.8V, V _I ⁺ = -0.6V	2.0		V
I ⁺	Positive Supply Current	±10.8V ≤ V _{CC} ≤ ±13.2V V _I ⁺ = -0.6V		18	mA
I ⁻	Negative Supply Current	±10.8V ≤ V _{CC} ≤ ±13.2V V _I ⁺ = 0.6V	-16		mA

Electrical Characteristics

+IN A and -IN B connected to ground, RA and RB connected to -IN A and -IN B and Hysteresis connected to V⁻ for RS-232C, unless otherwise specified

Symbol	Characteristics	Conditions	Min	Max	Units
R _I	Input Resistance	3.0V ≤ V _I ≤ 25V	3.0	7.0	kΩ
		-3.0V ≤ V _I ≤ -25V	3.0	7.0	kΩ
V _I	Input Voltage		-2.0	2.0	V
V _{TH+}	Positive Threshold Voltage			3.0	V
V _{TH-}	Negative Threshold Voltage		-3.0		V

Note 1: "Absolute Maximum Ratings" are those values beyond which the safety of the device cannot be guaranteed. They are not meant to imply that the devices should be operated at these limits. The tables of "Electrical Characteristics" provide conditions for actual device operation.

Note 2: Unless otherwise specified Min/Max limits apply across the -55°C to +125°C temperature range.

Note 3: All currents into device pins are positive; all currents out of device pins are negative. All voltages are referenced to ground unless otherwise specified.

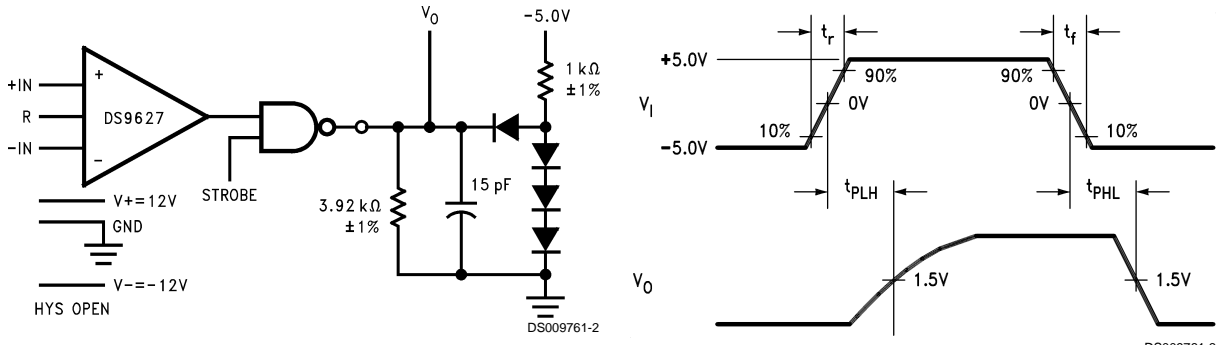
Note 4: Only one output at a time should be shorted.

Note 5: Rating applies to ambient temperatures up to +125°C. Above 125°C ambient, derate linearity at 120°C/W.

Electrical Characteristics

$V_{CC} = \pm 12V$ for MIL-STD-188C and RS-232C, $T_A = 25^\circ C$

Symbol	Characteristics	Conditions	Min	Max	Units
t_{PLH}	Propagation Delay to High Level	See Figure 1		250	ns
t_{PHL}	Propagation Delay to Low Level	See Figure 1		250	ns

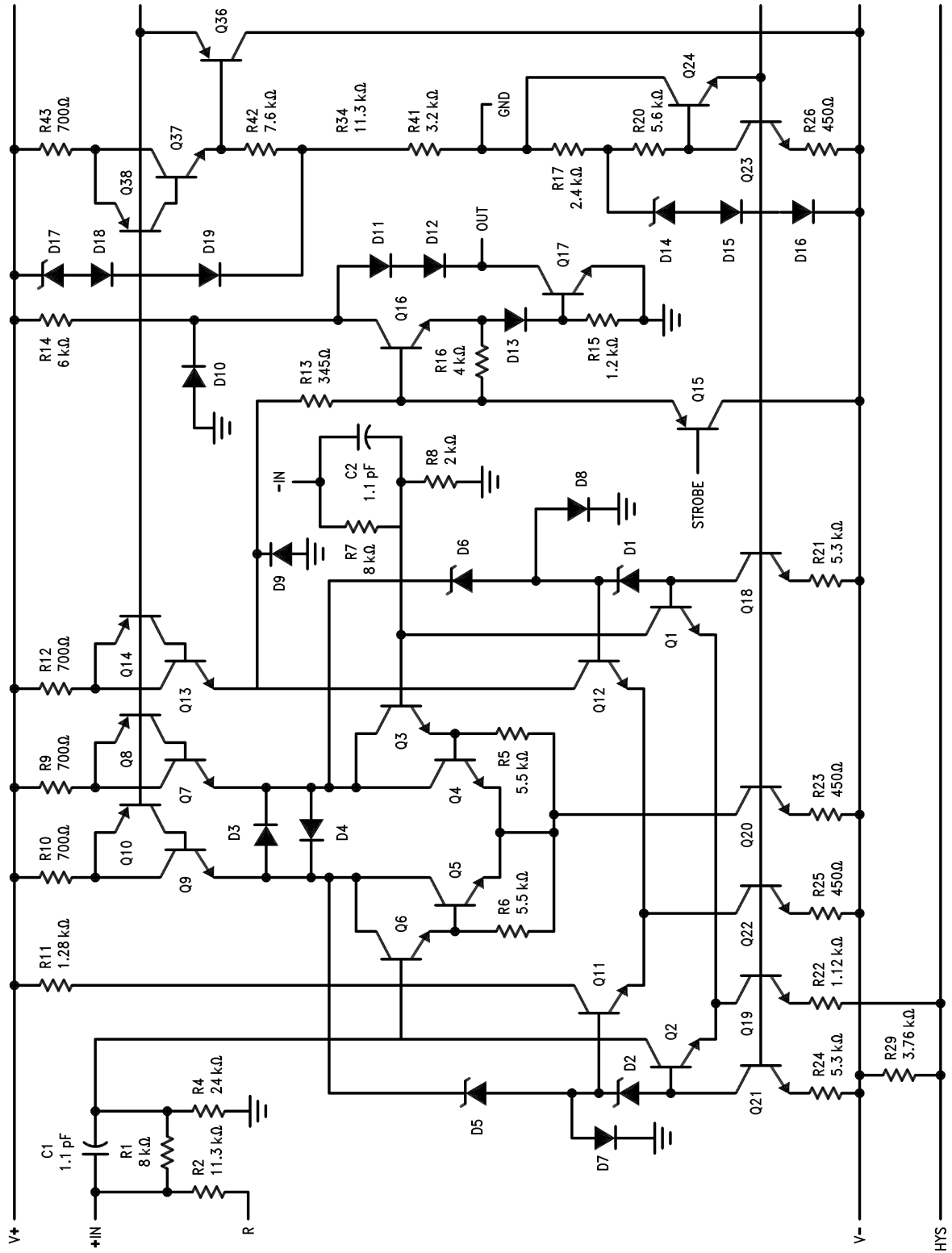


15 pF includes jig capacitance. All diodes are FD777 or equivalent.

PRR = 10 kHz
 PW = 50 μ s
 $t_r = t_f = 5$ ns

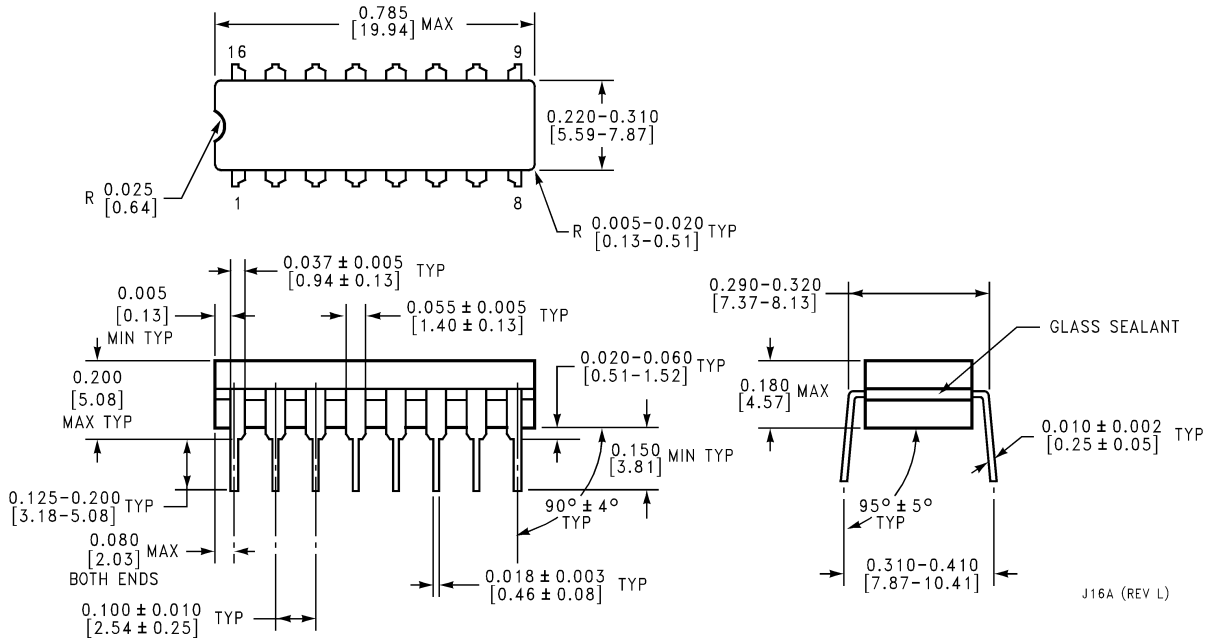
FIGURE 1. Switching Time Test Circuit and Waveforms

Equivalent Circuit (1/2 of Circuit)



DS009761-4

Physical Dimensions inches (millimeters) unless otherwise noted



Ceramic Dual-In-Line Package
Order Number DS9627MJ/883
NS Package Number J16A

J16A (REV L)

LIFE SUPPORT POLICY

NATIONAL'S PRODUCTS ARE NOT AUTHORIZED FOR USE AS CRITICAL COMPONENTS IN LIFE SUPPORT DEVICES OR SYSTEMS WITHOUT THE EXPRESS WRITTEN APPROVAL OF THE PRESIDENT AND GENERAL COUNSEL OF NATIONAL SEMICONDUCTOR CORPORATION. As used herein:

1. Life support devices or systems are devices or systems which, (a) are intended for surgical implant into the body, or (b) support or sustain life, and whose failure to perform when properly used in accordance with instructions for use provided in the labeling, can be reasonably expected to result in a significant injury to the user.
2. A critical component is any component of a life support device or system whose failure to perform can be reasonably expected to cause the failure of the life support device or system, or to affect its safety or effectiveness.



National Semiconductor Corporation
Americas
Email: support@nsc.com

National Semiconductor Europe
Fax: +49 (0) 180-530 85 86
Email: europe.support@nsc.com
Deutsch Tel: +49 (0) 69 9508 6208
English Tel: +44 (0) 870 24 0 2171
Français Tel: +33 (0) 1 41 91 8790

National Semiconductor Asia Pacific Customer Response Group
Tel: 65-2544466
Fax: 65-2504466
Email: ap.support@nsc.com

National Semiconductor Japan Ltd.
Tel: 81-3-5639-7560
Fax: 81-3-5639-7507

www.national.com

IMPORTANT NOTICE

Texas Instruments Incorporated and its subsidiaries (TI) reserve the right to make corrections, modifications, enhancements, improvements, and other changes to its products and services at any time and to discontinue any product or service without notice. Customers should obtain the latest relevant information before placing orders and should verify that such information is current and complete. All products are sold subject to TI's terms and conditions of sale supplied at the time of order acknowledgment.

TI warrants performance of its hardware products to the specifications applicable at the time of sale in accordance with TI's standard warranty. Testing and other quality control techniques are used to the extent TI deems necessary to support this warranty. Except where mandated by government requirements, testing of all parameters of each product is not necessarily performed.

TI assumes no liability for applications assistance or customer product design. Customers are responsible for their products and applications using TI components. To minimize the risks associated with customer products and applications, customers should provide adequate design and operating safeguards.

TI does not warrant or represent that any license, either express or implied, is granted under any TI patent right, copyright, mask work right, or other TI intellectual property right relating to any combination, machine, or process in which TI products or services are used. Information published by TI regarding third-party products or services does not constitute a license from TI to use such products or services or a warranty or endorsement thereof. Use of such information may require a license from a third party under the patents or other intellectual property of the third party, or a license from TI under the patents or other intellectual property of TI.

Reproduction of TI information in TI data books or data sheets is permissible only if reproduction is without alteration and is accompanied by all associated warranties, conditions, limitations, and notices. Reproduction of this information with alteration is an unfair and deceptive business practice. TI is not responsible or liable for such altered documentation. Information of third parties may be subject to additional restrictions.

Resale of TI products or services with statements different from or beyond the parameters stated by TI for that product or service voids all express and any implied warranties for the associated TI product or service and is an unfair and deceptive business practice. TI is not responsible or liable for any such statements.

TI products are not authorized for use in safety-critical applications (such as life support) where a failure of the TI product would reasonably be expected to cause severe personal injury or death, unless officers of the parties have executed an agreement specifically governing such use. Buyers represent that they have all necessary expertise in the safety and regulatory ramifications of their applications, and acknowledge and agree that they are solely responsible for all legal, regulatory and safety-related requirements concerning their products and any use of TI products in such safety-critical applications, notwithstanding any applications-related information or support that may be provided by TI. Further, Buyers must fully indemnify TI and its representatives against any damages arising out of the use of TI products in such safety-critical applications.

TI products are neither designed nor intended for use in military/aerospace applications or environments unless the TI products are specifically designated by TI as military-grade or "enhanced plastic." Only products designated by TI as military-grade meet military specifications. Buyers acknowledge and agree that any such use of TI products which TI has not designated as military-grade is solely at the Buyer's risk, and that they are solely responsible for compliance with all legal and regulatory requirements in connection with such use.

TI products are neither designed nor intended for use in automotive applications or environments unless the specific TI products are designated by TI as compliant with ISO/TS 16949 requirements. Buyers acknowledge and agree that, if they use any non-designated products in automotive applications, TI will not be responsible for any failure to meet such requirements.

Following are URLs where you can obtain information on other Texas Instruments products and application solutions:

Products

Audio	www.ti.com/audio
Amplifiers	amplifier.ti.com
Data Converters	dataconverter.ti.com
DLP® Products	www.dlp.com
DSP	dsp.ti.com
Clocks and Timers	www.ti.com/clocks
Interface	interface.ti.com
Logic	logic.ti.com
Power Mgmt	power.ti.com
Microcontrollers	microcontroller.ti.com
RFID	www.ti-rfid.com
OMAP Mobile Processors	www.ti.com/omap
Wireless Connectivity	www.ti.com/wirelessconnectivity

Applications

Communications and Telecom	www.ti.com/communications
Computers and Peripherals	www.ti.com/computers
Consumer Electronics	www.ti.com/consumer-apps
Energy and Lighting	www.ti.com/energy
Industrial	www.ti.com/industrial
Medical	www.ti.com/medical
Security	www.ti.com/security
Space, Avionics and Defense	www.ti.com/space-avionics-defense
Transportation and Automotive	www.ti.com/automotive
Video and Imaging	www.ti.com/video

TI E2E Community Home Page

e2e.ti.com

Mailing Address: Texas Instruments, Post Office Box 655303, Dallas, Texas 75265
Copyright © 2011, Texas Instruments Incorporated