

## High-Voltage (100V) Step-Down Switching Regulator

Check for Samples: [LM5008](#)

### FEATURES

- Integrated 100V, N-Channel buck switch
- Internal  $V_{CC}$  regulator
- No loop compensation required
- Ultra-Fast transient response
- On time varies inversely with line voltage
- Operating frequency remains constant with varying line voltage and load current
- Adjustable output voltage
- Highly efficient operation
- Precision internal reference
- Low bias current
- Intelligent current limit protection
- Thermal shutdown
- VSSOP-8 and WSON-8 (4mm x 4mm) Packages

### APPLICATIONS

- Non-Isolated Telecommunication Buck Regulator
- Secondary High Voltage Post Regulator
- +42V Automotive Systems

### DESCRIPTION

The LM5008 Step-Down Switching Regulator features all of the functions needed to implement a low cost, efficient, Buck bias regulator. This high voltage regulator contains an 100 V N-Channel Buck Switch. The device is easy to implement and is provided in the VSSOP-8 and the thermally enhanced WSON-8 packages. The regulator is based on a hysteretic control scheme using an ON time inversely proportional to  $V_{IN}$ . This feature allows the operating frequency to remain relatively constant. The hysteretic control requires no loop compensation. An intelligent current limit is implemented with forced OFF time, which is inversely proportional to  $V_{out}$ . This scheme ensures short circuit protection while providing minimum foldback. Other protection features include: Thermal Shutdown,  $V_{CC}$  under-voltage lockout, Gate drive under-voltage lockout, and Max Duty Cycle limiter

### Connection Diagram

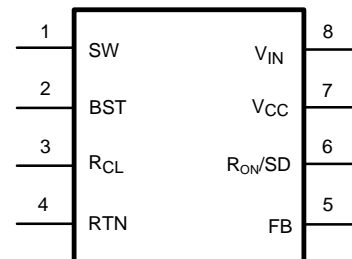


Figure 1. 8-Lead VSSOP or WSON



Please be aware that an important notice concerning availability, standard warranty, and use in critical applications of Texas Instruments semiconductor products and disclaimers thereto appears at the end of this data sheet.

All trademarks are the property of their respective owners.

## Typical Application Circuit and Block Diagram

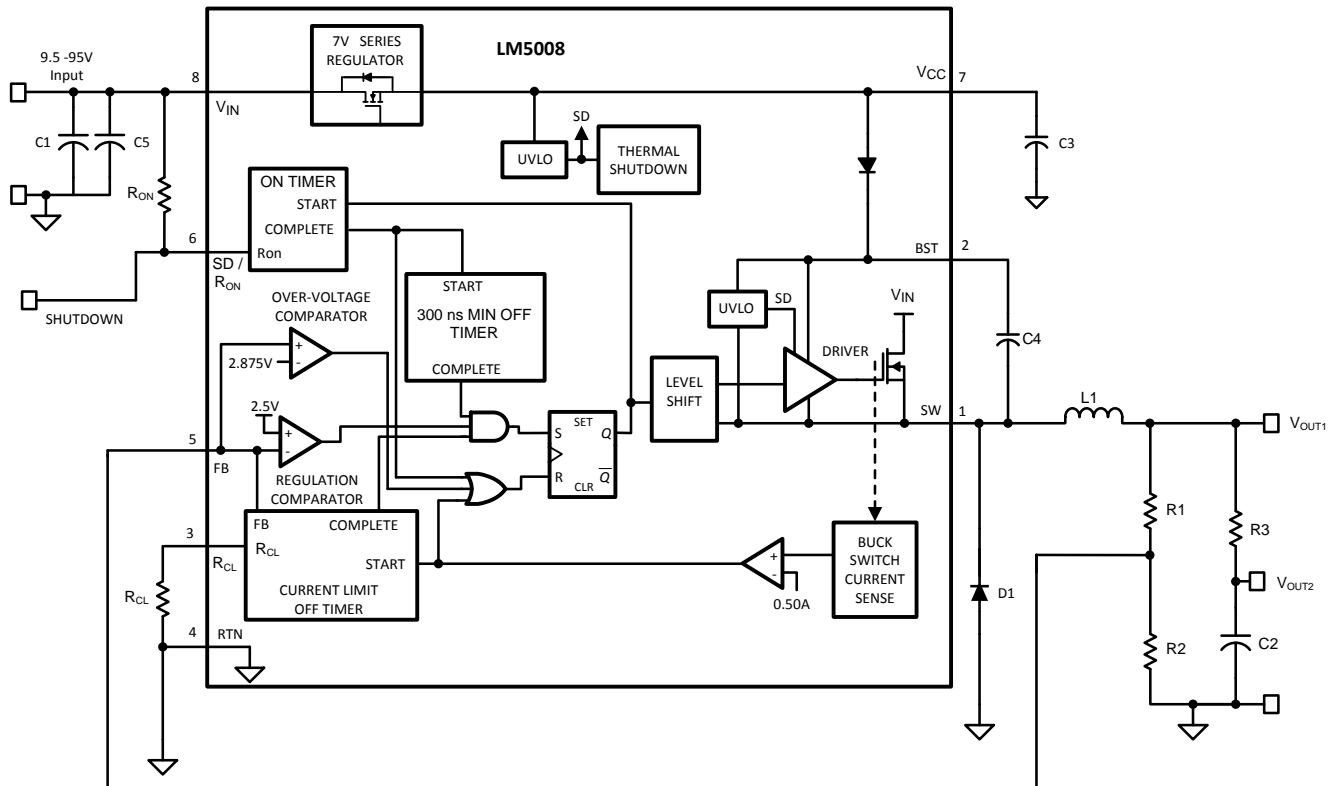


Figure 2.

## Pin Functions

Table 1. Pin Descriptions

Pin	Name	Description	Application Information
1	SW	Switching node	Power switching node. Connect to the output inductor, re-circulating diode, and bootstrap capacitor.
2	BST	Boost pin (bootstrap capacitor input)	An external capacitor is required between the BST and the SW pins. A 0.01µF ceramic capacitor is recommended. An internal diode charges the capacitor from V <sub>CC</sub> .
3	R <sub>CL</sub>	Current limit OFF time set pin $T_{off} = 10^{-5} / (0.285 + (FB / 6.35 \times 10^{-6} \times R_{CL}))$	A resistor between this pin and RTN sets the off-time when current limit is detected. The off-time is preset to 35µs if FB = 0V.
4	RTN	Ground pin	Ground for the entire circuit.
5	FB	Feedback input from regulated output	This pin is connected to the inverting input of the internal regulation comparator. The regulation threshold is 2.5V.
6	R <sub>ON</sub> /SD	On time set pin $T_{on} = 1.25 \times 10^{-10} R_{ON} / V_{IN}$	A resistor between this pin and V <sub>IN</sub> sets the switch on time as a function of V <sub>IN</sub> . The minimum recommended on time is 400ns at the maximum input voltage. This pin can be used for remote shutdown.
7	V <sub>CC</sub>	Output from the internal high voltage series pass regulator. Regulated at 7.0 V.	If an auxiliary voltage is available to raise the voltage on this pin, above the regulation set point (7V), the internal series pass regulator will shutdown, reducing the IC power dissipation. Do not exceed 14V. This voltage provides gate drive power for the internal Buck switch. An internal diode is provided between this pin and the BST pin. A local 0.1µF decoupling capacitor is recommended. Series pass regulator is current limited to 10mA.
8	V <sub>IN</sub>	Input voltage	Recommended operating range: 9.5V to 95V.
	EP	Exposed Pad	The exposed pad has no electrical contact. Connect to system ground plane for reduced thermal resistance.



These devices have limited built-in ESD protection. The leads should be shorted together or the device placed in conductive foam during storage or handling to prevent electrostatic damage to the MOS gates.

### Absolute Maximum Ratings<sup>(1)</sup>

$V_{IN}$ to GND	-0.3V to 100V
BST to GND	-0.3V to 114V
SW to GND (Steady State)	-1V
ESD Rating, Human Body Model <sup>(2)</sup>	2kV
BST to $V_{CC}$	100V
BST to SW	14V
$V_{CC}$ to GND	14V
All Other Inputs to GND	-0.3 to 7V
Lead Temperature (Soldering 4 sec) <sup>(3)</sup>	260°C
Storage Temperature Range	-55°C to +150°C

- (1) Absolute Maximum Ratings are limits beyond which damage to the device may occur. Operating Ratings are conditions under which operation of the device is intended to be functional. For specifications and test conditions, see the Electrical Characteristics.
- (2) The human body model is a 100pF capacitor discharged through a 1.5k $\Omega$  resistor into each pin.
- (3) For detailed information on soldering plastic VSSOP and WSON packages, refer to the Packaging Data Book.

### Operating Ratings<sup>(1)</sup>

$V_{IN}$	9.5V to 95V
Operating Junction Temperature	-40°C to + 125°C

- (1) Absolute Maximum Ratings are limits beyond which damage to the device may occur. Operating Ratings are conditions under which operation of the device is intended to be functional. For specifications and test conditions, see the Electrical Characteristics.

## Electrical Characteristics

Specifications with standard typeface are for  $T_J = 25^\circ\text{C}$ , and those with **boldface** type apply over full **Operating Junction Temperature range**.  $V_{IN} = 48\text{V}$ , unless otherwise stated<sup>(1)</sup>.

Symbol	Parameter	Conditions	Min	Typ	Max	Unit
<b>V<sub>CC</sub> Supply</b>						
V <sub>CC</sub> Reg	V <sub>CC</sub> Regulator Output		<b>6.6</b>	7	<b>7.4</b>	V
	V <sub>CC</sub> Current Limit <sup>(2)</sup>			9.5		mA
	V <sub>CC</sub> undervoltage Lockout Voltage (V <sub>CC</sub> increasing)			6.3		V
	V <sub>CC</sub> Undervoltage Hysteresis			200		mV
	V <sub>CC</sub> UVLO Delay (filter)	100mV overdrive		10		μs
	I <sub>IN</sub> Operating Current	Non-Switching, FB = 3V		485	<b>675</b>	μA
	I <sub>IN</sub> Shutdown Current	R <sub>ON</sub> /SD = 0V		76	<b>150</b>	μA
<b>Switch Characteristics</b>						
	Buck Switch R <sub>ds(on)</sub>	I <sub>TEST</sub> = 200mA, <sup>(3)</sup>		1.15	<b>2.47</b>	Ω
	Gate Drive UVLO	V <sub>BST</sub> - V <sub>SW</sub> Rising	<b>3.4</b>	4.5	<b>5.5</b>	V
	Gate Drive UVLO Hysteresis			430		mV
<b>Current Limit</b>						
	Current Limit Threshold		<b>0.41</b>	0.51	<b>0.61</b>	A
	Current Limit Response Time	I <sub>switch</sub> Overdrive = 0.1A, Time to Switch Off		400		ns
	OFF time generator (test 1)	FB=0V, R <sub>CL</sub> = 100K		35		μs
	OFF time generator (test 2)	FB=2.3V, R <sub>CL</sub> = 100K		2.56		μs
<b>On Time Generator</b>						
	T <sub>ON</sub> - 1	V <sub>in</sub> = 10V, R <sub>on</sub> = 200K	<b>2.15</b>	2.77	<b>3.5</b>	μs
	T <sub>ON</sub> - 2	V <sub>in</sub> = 95V, R <sub>on</sub> = 200K	<b>200</b>	300	<b>420</b>	ns
	Remote Shutdown Threshold	Rising	<b>0.40</b>	0.70	<b>1.05</b>	V
	Remote Shutdown Hysteresis			35		mV
<b>Minimum Off Time</b>						
	Minimum Off Timer	FB = 0V		300		ns
<b>Regulation and OV Comparators</b>						
	FB Reference Threshold	Internal reference, Trip point for switch ON	<b>2.445</b>	2.5	<b>2.550</b>	V
	FB Over-Voltage Threshold	Trip point for switch OFF		2.875		V
	FB Bias Current			100		nA
<b>Thermal Shutdown</b>						
T <sub>sd</sub>	Thermal Shutdown Temperature			165		°C
	Thermal Shutdown Hysteresis			25		°C
<b>Thermal Resistance</b>						
θ <sub>JA</sub>	Junction to Ambient	VSSOP Package		200		°C/W
		WSOP Package		40		°C/W

- (1) All electrical characteristics having room temperature limits are tested during production with  $T_A = T_J = 25^\circ\text{C}$ . All hot and cold limits are specified by correlating the electrical characteristics to process and temperature variations and applying statistical process control.
- (2) The V<sub>CC</sub> output is intended as a self bias for the internal gate drive power and control circuits. Device thermal limitations limit external loading.
- (3) For devices procured in the WSON-8 package the R<sub>ds(on)</sub> limits are specified by design characterization data only.

Typical Performance Characteristics

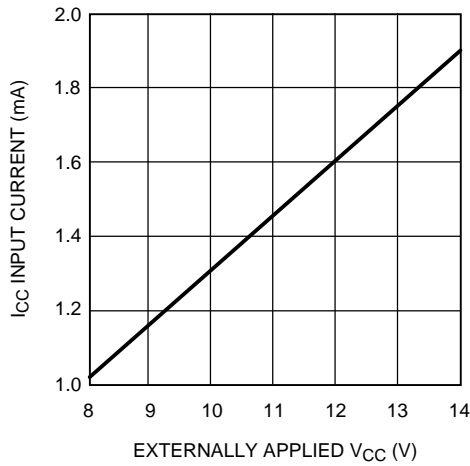


Figure 3. I<sub>CC</sub> Current vs Applied V<sub>CC</sub> Voltage

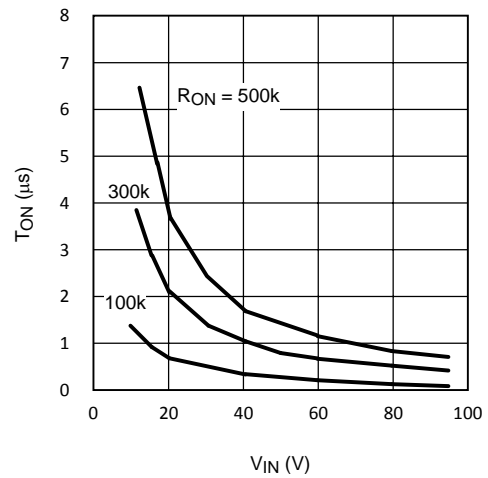


Figure 4. ON-Time vs Input Voltage and R<sub>ON</sub>

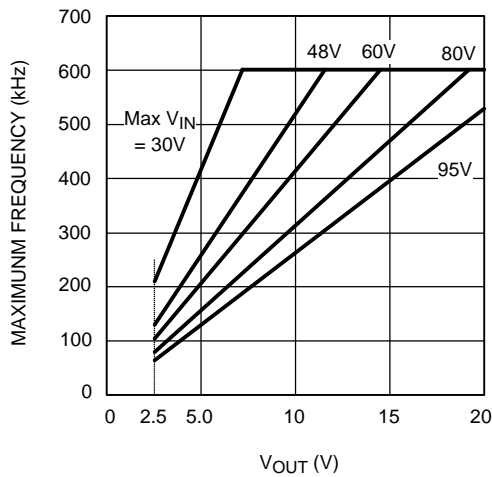


Figure 5. Maximum Frequency vs V<sub>OUT</sub> and V<sub>IN</sub>

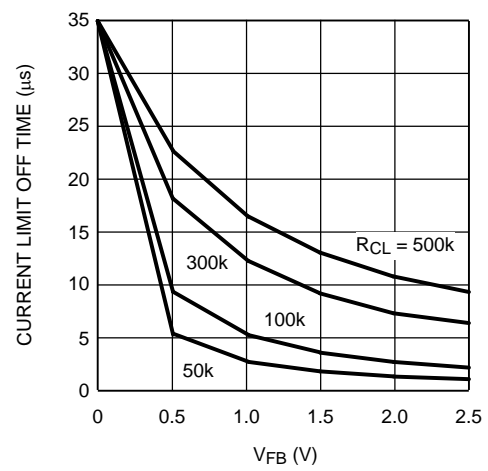


Figure 6. Current Limit Off-Time vs V<sub>FB</sub> and R<sub>CL</sub>

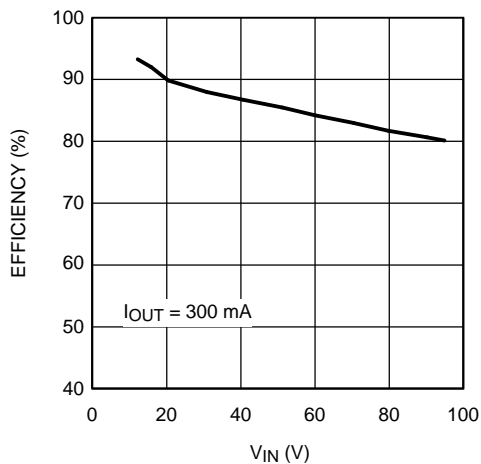


Figure 7. Efficiency vs V<sub>IN</sub>  
(Circuit of Figure 14)

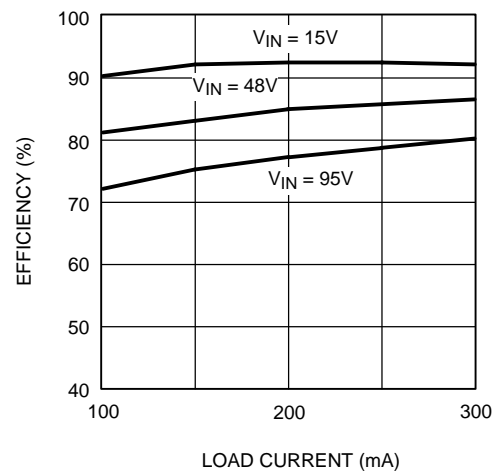


Figure 8. Efficiency vs Load Current vs V<sub>IN</sub>  
(Circuit of Figure 14)

## Typical Performance Characteristics (continued)

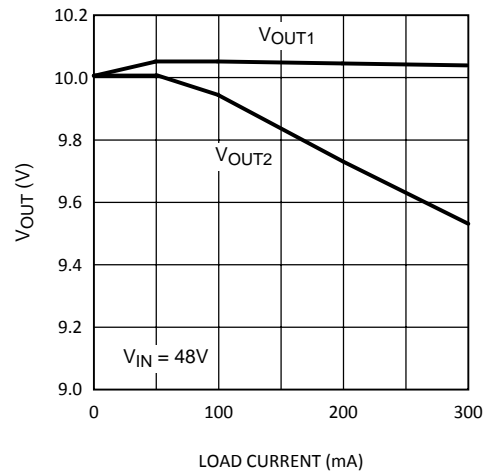


Figure 9. Output Voltage vs Load Current  
(Circuit of [Figure 14](#))

## FUNCTIONAL DESCRIPTION

The LM5008 Step Down Switching Regulator features all the functions needed to implement a low cost, efficient, Buck bias power converter. This high voltage regulator contains a 100 V N-Channel Buck Switch, is easy to implement and is provided in the VSSOP-8 and the thermally enhanced WSON-8 packages. The regulator is based on a hysteretic control scheme using an on-time inversely proportional to  $V_{IN}$ . The hysteretic control requires no loop compensation. Current limit is implemented with forced off-time, which is inversely proportional to  $V_{OUT}$ . This scheme ensures short circuit protection while providing minimum foldback. The Functional Block Diagram of the LM5008 is shown in [Figure 2](#).

The LM5008 can be applied in numerous applications to efficiently regulate down higher voltages. This regulator is well suited for 48 Volt Telecom and the new 42V Automotive power bus ranges. Protection features include: Thermal Shutdown,  $V_{CC}$  under-voltage lockout, Gate drive under-voltage lockout, Max Duty Cycle limit timer and the intelligent current limit off timer.

### Hysteretic Control Circuit Overview

The LM5008 is a Buck DC-DC regulator that uses a control scheme in which the on-time varies inversely with line voltage ( $V_{IN}$ ). Control is based on a comparator and the on-time one-shot, with the output voltage feedback (FB) compared to an internal reference (2.5V). If the FB level is below the reference the buck switch is turned on for a fixed time determined by the line voltage and a programming resistor ( $R_{ON}$ ). Following the ON period the switch will remain off for at least the minimum off-timer period of 300ns. If FB is still below the reference at that time the switch will turn on again for another on-time period. This will continue until regulation is achieved.

The LM5008 operates in discontinuous conduction mode at light load currents, and continuous conduction mode at heavy load current. In discontinuous conduction mode, current through the output inductor starts at zero and ramps up to a peak during the on-time, then ramps back to zero before the end of the off-time. The next on-time period starts when the voltage at FB falls below the internal reference - until then the inductor current remains zero. In this mode the operating frequency is lower than in continuous conduction mode, and varies with load current. Therefore at light loads the conversion efficiency is maintained, since the switching losses reduce with the reduction in load and frequency. The discontinuous operating frequency can be calculated as follows:

$$F = \frac{V_{OUT}^2 \times L \times 1.28 \times 10^{20}}{R_L \times (R_{ON})^2} \quad (1)$$

where  $R_L$  = the load resistance

In continuous conduction mode, current flows continuously through the inductor and never ramps down to zero. In this mode the operating frequency is greater than the discontinuous mode frequency and remains relatively constant with load and line variations. The approximate continuous mode operating frequency can be calculated as follows:

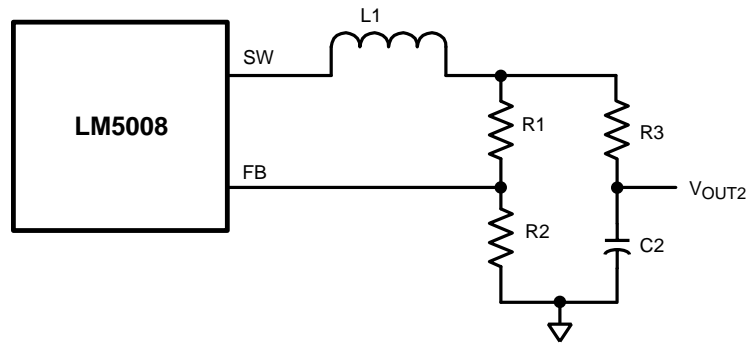
$$F = \frac{V_{OUT}}{1.25 \times 10^{-10} \times R_{ON}} \quad (2)$$

The output voltage ( $V_{OUT}$ ) can be programmed by two external resistors as shown in [Figure 2](#). The regulation point can be calculated as follows:

$$V_{OUT} = 2.5 \times (R1 + R2) / R2 \quad (3)$$

All hysteretic regulators regulate the output voltage based on ripple voltage at the feedback input, requiring a minimum amount of ESR for the output capacitor C2. A minimum of 25mV to 50mV of ripple voltage at the feedback pin (FB) is required for the LM5008. In cases where the capacitor ESR is too small, additional series resistance may be required ( $R3$  in [Figure 2](#)).

For applications where lower output voltage ripple is required the output can be taken directly from a low ESR output capacitor, as shown in [Figure 10](#). However,  $R3$  slightly degrades the load regulation.

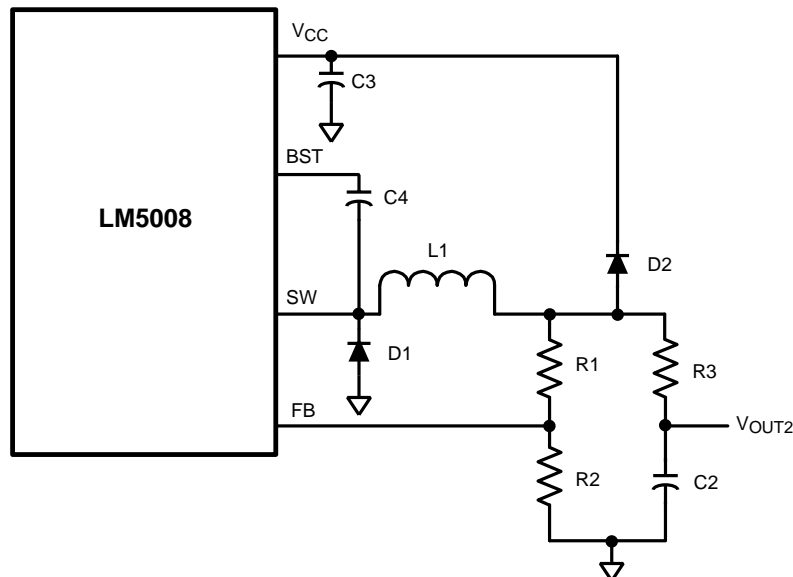


**Figure 10. Low Ripple Output Configuration**

### High Voltage Start-Up Regulator

The LM5008 contains an internal high voltage start-up regulator. The input pin ( $V_{IN}$ ) can be connected directly to the line voltages up to 95 Volts, with transient capability to 100 volts. The regulator is internally current limited to 9.5mA at  $V_{CC}$ . Upon power up, the regulator sources current into the external capacitor at  $V_{CC}$  ( $C3$ ). When the voltage on the  $V_{CC}$  pin reaches the under-voltage lockout threshold of 6.3V, the buck switch is enabled.

In applications involving a high value for  $V_{IN}$ , where power dissipation in the  $V_{CC}$  regulator is a concern, an auxiliary voltage can be diode connected to the  $V_{CC}$  pin. Setting the auxiliary voltage to 8.0 -14V will shut off the internal regulator, reducing internal power dissipation. See [Figure 11](#). The current required into the  $V_{CC}$  pin is shown in [Figure 3](#).



**Figure 11. Self Biased Configuration**

### Regulation Comparator

The feedback voltage at FB is compared to an internal 2.5V reference. In normal operation (the output voltage is regulated), an on-time period is initiated when the voltage at FB falls below 2.5V. The buck switch will stay on for the on-time, causing the FB voltage to rise above 2.5V. After the on-time period, the buck switch will stay off until the FB voltage again falls below 2.5V. During start-up, the FB voltage will be below 2.5V at the end of each on-time, resulting in the minimum off-time of 300 ns. Bias current at the FB pin is nominally 100 nA.



## Over-Voltage Comparator

The feedback voltage at FB is compared to an internal 2.875V reference. If the voltage at FB rises above 2.875V the on-time pulse is immediately terminated. This condition can occur if the input voltage, or the output load, change suddenly. The buck switch will not turn on again until the voltage at FB falls below 2.5V.

## On-Time Generator and Shutdown

The on-time for the LM5008 is determined by the  $R_{ON}$  resistor, and is inversely proportional to the input voltage ( $V_{IN}$ ), resulting in a nearly constant frequency as  $V_{IN}$  is varied over its range. Equation 4 shows the on-time equation for the LM5008.

$$T_{ON} = 1.25 \times 10^{-10} \times R_{ON} / V_{IN} \quad (4)$$

See Figure 4.  $R_{ON}$  should be selected for a minimum on-time (at maximum  $V_{IN}$ ) greater than 400 ns, for proper current limit operation. This requirement limits the maximum frequency for each application, depending on  $V_{IN}$  and  $V_{OUT}$ . See Figure 5.

The LM5008 can be remotely disabled by taking the  $R_{ON}/SD$  pin to ground. See Figure 12. The voltage at the  $R_{ON}/SD$  pin is between 1.5 and 3.0 volts, depending on  $V_{IN}$  and the value of the  $R_{ON}$  resistor.

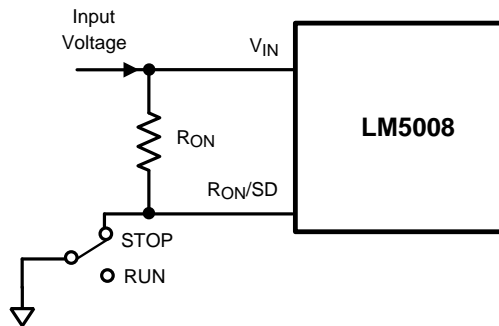


Figure 12. Shutdown Implementation

## Current Limit

The LM5008 contains an intelligent current limit OFF timer. If the current in the Buck switch exceeds 0.5A the present cycle is immediately terminated, and a non-resettable OFF timer is initiated. The length of off-time is controlled by an external resistor ( $R_{CL}$ ) and the FB voltage (see Figure 6). When  $FB = 0V$ , a maximum off-time is required, and the time is preset to 35 $\mu$ s. This condition occurs when the output is shorted, and during the initial part of start-up. This amount of time ensures safe short circuit operation up to the maximum input voltage of 95V. In cases of overload where the FB voltage is above zero volts (not a short circuit) the current limit off-time will be less than 35 $\mu$ s. Reducing the off-time during less severe overloads reduces the amount of foldback, recovery time, and the start-up time. The off-time is calculated from Equation 5.

$$T_{OFF} = \frac{10^{-5}}{0.285 + \frac{V_{FB}}{(6.35 \times 10^{-6} \times R_{CL})}} \quad (5)$$

The current limit sensing circuit is blanked for the first 50-70ns of each on-time so it is not falsely tripped by the current surge which occurs at turn-on. The current surge is required by the re-circulating diode (D1) for its turn-off recovery.

## N-Channel Buck Switch and Driver

The LM5008 integrates an N-Channel Buck switch and associated floating high voltage gate driver. The gate driver circuit works in conjunction with an external bootstrap capacitor and an internal high voltage diode. A 0.01 $\mu$ F ceramic capacitor (C4) connected between the BST pin and SW pin provides the voltage to the driver during the on-time.

During each off-time, the SW pin is at approximately 0V, and the bootstrap capacitor charges from V<sub>CC</sub> through the internal diode. The minimum OFF timer, set to 300ns, ensures a minimum time each cycle to recharge the bootstrap capacitor.

An external re-circulating diode (D1) carries the inductor current after the internal Buck switch turns off. This diode must be of the Ultra-fast or Schottky type to minimize turn-on losses and current over-shoot.

### Thermal Protection

The LM5008 should be operated so the junction temperature does not exceed 125°C during normal operation. An internal Thermal Shutdown circuit is provided to protect the LM5008 in the event of a higher than normal junction temperature. When activated, typically at 165°C, the controller is forced into a low power reset state, disabling the buck switch and the V<sub>CC</sub> regulator. This feature prevents catastrophic failures from accidental device overheating. When the junction temperature reduces below 140°C (typical hysteresis = 25°C), the V<sub>CC</sub> regulator is enabled, and normal operation is resumed.

## APPLICATIONS INFORMATION

### SELECTION OF EXTERNAL COMPONENTS

A guide for determining the component values will be illustrated with a design example. Refer to [Figure 2](#). The following steps will configure the LM5008 for:

- Input voltage range ( $V_{IN}$ ): 12V to 95V
- Output voltage ( $V_{OUT1}$ ): 10V
- Load current (for continuous conduction mode): 100 mA to 300 mA
- Maximum ripple at  $V_{OUT2}$ : 100 mVp-p at maximum input voltage

**R1 and R2:** From [Figure 2](#),  $V_{OUT1} = V_{FB} \times (R1 + R2) / R2$ , and since  $V_{FB} = 2.5V$ , the ratio of R1 to R2 calculates as 3:1. Standard values of 3.01 k $\Omega$  (R1) and 1.00 k $\Omega$  (R2) are chosen. Other values could be used as long as the 3:1 ratio is maintained. The selected values, however, provide a small amount of output loading (2.5 mA) in the event the main load is disconnected. This allows the circuit to maintain regulation until the main load is reconnected.

**F<sub>s</sub> and R<sub>ON</sub>:** The recommended operating frequency range for the LM5008 is 50kHz to 600 kHz. Unless the application requires a specific frequency, the choice of frequency is generally a compromise since it affects the size of L1 and C2, and the switching losses. The maximum allowed frequency, based on a minimum on-time of 400 ns, is calculated from:

$$F_{MAX} = V_{OUT} / (V_{INMAX} \times 400ns) \quad (6)$$

For this exercise,  $F_{max} = 263kHz$ . From [Equation 2](#),  $R_{ON}$  calculates to 304 k $\Omega$ . A standard value 357 k $\Omega$  resistor will be used to allow for tolerances in [Equation 2](#), resulting in a frequency of 224kHz.

**L1:** The main parameter affected by the inductor is the output current ripple amplitude. The choice of inductor value therefore depends on both the minimum and maximum load currents, keeping in mind that the maximum ripple current occurs at maximum  $V_{IN}$ .

a) **Minimum load current:** To maintain continuous conduction at minimum  $I_o$  (100 mA), the ripple amplitude ( $I_{OR}$ ) must be less than 200 mAp-p so the lower peak of the waveform does not reach zero. L1 is calculated using [Equation 7](#).

$$L1 = \frac{V_{OUT1} \times (V_{IN} - V_{OUT1})}{I_{OR} \times F_s \times V_{IN}} \quad (7)$$

At  $V_{IN} = 95V$ ,  $L1(min)$  calculates to 200  $\mu H$ . The next larger standard value (220  $\mu H$ ) is chosen and with this value  $I_{OR}$  calculates to 181 mAp-p at  $V_{IN} = 95V$ , and 34 mAp-p at  $V_{IN} = 12V$ .

b) **Maximum load current:** At a load current of 300 mA, the peak of the ripple waveform must not reach the minimum value of the LM5008's current limit threshold (410 mA). Therefore the ripple amplitude must be less than 220 mAp-p, which is already satisfied in the above calculation. With  $L1 = 220 \mu H$ , at maximum  $V_{IN}$  and  $I_o$ , the peak of the ripple will be 391 mA. While L1 must carry this peak current without saturating or exceeding its temperature rating, it also must be capable of carrying the maximum value of the LM5008's current limit threshold (610 mA) without saturating, since the current limit is reached during startup.

The DC resistance of the inductor should be as low as possible. For example, if the inductor's DCR is one ohm, the power dissipated at maximum load current is 0.09W. While small, it is not insignificant compared to the load power of 3W.

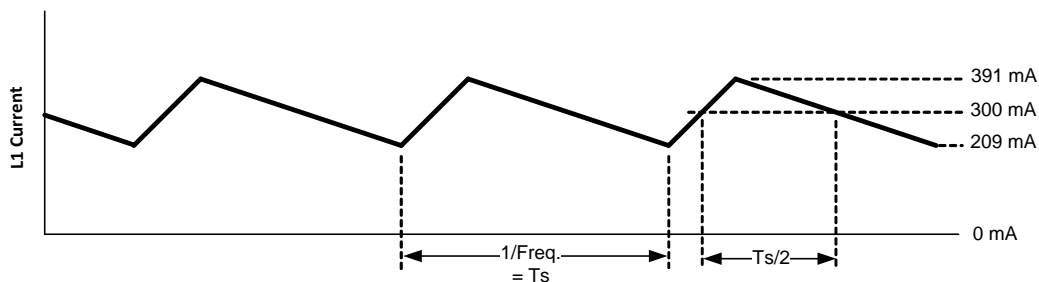
**C3:** The capacitor on the  $V_{CC}$  output provides not only noise filtering and stability, but its primary purpose is to prevent false triggering of the  $V_{CC}$  UVLO at the buck switch on/off transitions. For this reason, C3 should be no smaller than 0.1  $\mu F$ .

**C2, and R3:** When selecting the output filter capacitor C2, the items to consider are ripple voltage due to its ESR, ripple voltage due to its capacitance, and the nature of the load.

**a) ESR and R3:** A low ESR for C2 is generally desirable so as to minimize power losses and heating within the capacitor. However, a hysteretic regulator requires a minimum amount of ripple voltage at the feedback input for proper loop operation. For the LM5008 the minimum ripple required at pin 5 is 25 mVp-p, requiring a minimum ripple at  $V_{OUT1}$  of 100 mV. Since the minimum ripple current (at minimum  $V_{in}$ ) is 34 mA p-p, the minimum ESR required at  $V_{OUT1}$  is  $100\text{mV}/34\text{mA} = 2.94\Omega$ . Since quality capacitors for SMPS applications have an ESR considerably less than this, R3 is inserted as shown in Figure 2. R3's value, along with C2's ESR, must result in at least 25 mVp-p ripple at pin 5. Generally, R3 will be 0.5 to  $3.0\Omega$ .

**b) Nature of the Load:** The load can be connected to  $V_{OUT1}$  or  $V_{OUT2}$ .  $V_{OUT1}$  provides good regulation, but with a ripple voltage which ranges from 100 mV (at  $V_{in} = 12\text{V}$ ) to 500mV (at  $V_{in} = 95\text{V}$ ). Alternatively,  $V_{OUT2}$  provides low ripple, but lower regulation due to R3.

For a maximum allowed ripple voltage of 100 mVp-p at  $V_{OUT2}$  (at  $V_{in} = 95\text{V}$ ), assume an ESR of  $0.4\Omega$  for C2. At maximum  $V_{in}$ , the ripple current is 181 mA p-p, creating a ripple voltage of 72 mVp-p. This leaves 28 mVp-p of ripple due to the capacitance. The average current into C2 due to the ripple current is calculated using the waveform in Figure 13.



**Figure 13. Inductor Current Waveform**

Starting when the current reaches  $I_o$  (300 mA in Figure 13) half way through the on-time, the current continues to increase to the peak (391 mA), and then decreases to 300 mA half way through the off-time. The average value of this portion of the waveform is 45.5mA, and will cause half of the voltage ripple, or 14 mV. The interval is one half of the frequency cycle time, or 2.23  $\mu\text{s}$ . Using the capacitor's basic equation (see Equation 8), the minimum value for C2 is 7.2  $\mu\text{F}$ .

$$C = I \times \Delta t / \Delta V \quad (8)$$

The ripple due to C2's capacitance is  $90^\circ$  out of phase from the ESR ripple, and the two numbers do not add directly. However, this calculation provides a practical minimum value for C2 based on its ESR, and the target spec. To allow for the capacitor's tolerance, temperature effects, and voltage effects, a 15  $\mu\text{F}$ , X7R capacitor will be used.

**c) In summary:** The above calculations provide a minimum value for C2, and a calculation for R3. The ESR is just as important as the capacitance. The calculated values are guidelines, and should be treated as starting points. For each application, experimentation is needed to determine the optimum values for R3 and C2.

**R<sub>CL</sub>:** When a current limit condition is detected, the minimum off-time set by this resistor must be greater than the maximum normal off-time which occurs at maximum  $V_{in}$ . Using Equation 4, the minimum on-time is 0.470  $\mu\text{s}$ , yielding a maximum off-time of 3.99  $\mu\text{s}$ . This is increased by 117 ns (to 4.11  $\mu\text{s}$ ) due to a  $\pm 25\%$  tolerance of the on-time. This value is then increased to allow for:

The response time of the current limit detection loop (400ns).

The off-time determined by Equation 5 has a  $\pm 25\%$  tolerance.

$$t_{OFFCL(MIN)} = (4.11 \mu\text{s} + 0.40 \mu\text{s}) \times 1.25 = 5.64 \mu\text{s} \quad (9)$$

Using Equation 5,  $R_{CL}$  calculates to 264k $\Omega$  (at  $V_{FB} = 2.5\text{V}$ ). The closest standard value is 267 k $\Omega$ .

**D1:** The important parameters are reverse recovery time and forward voltage. The reverse recovery time determines how long the reverse current surge lasts each time the buck switch is turned on. The forward voltage drop is significant in the event the output is short-circuited as it is only this diode's voltage which forces the inductor current to reduce during the forced off-time. For this reason, a higher voltage is better, although that affects efficiency. A good choice is an ultrafast power diode, such as the MURA110T3 from ON Semiconductor. Its reverse recovery time is 30ns, and its forward voltage drop is approximately 0.72V at 300 mA at 25°C. Other types of diodes may have a lower forward voltage drop, but may have longer recovery times, or greater reverse leakage. D1's reverse voltage rating must be at least as great as the maximum  $V_{in}$ , and its current rating be greater than the maximum current limit threshold (610 mA).

**C1:** This capacitor's purpose is to supply most of the switch current during the on-time, and limit the voltage ripple at  $V_{in}$ , on the assumption that the voltage source feeding  $V_{in}$  has an output impedance greater than zero. At maximum load current, when the buck switch turns on, the current into pin 8 will suddenly increase to the lower peak of the output current waveform, ramp up to the peak value, then drop to zero at turn-off. The average input current during this on-time is the load current (300 mA). For a worst case calculation, C1 must supply this average load current during the maximum on-time. To keep the input voltage ripple to less than 2V (for this exercise), C1 calculates to:

$$C1 = \frac{I \times t_{ON}}{\Delta V} = \frac{0.3A \times 3.72 \mu s}{2.0V} = 0.56 \mu F \quad (10)$$

Quality ceramic capacitors in this value have a low ESR which adds only a few millivolts to the ripple. It is the capacitance which is dominant in this case. To allow for the capacitor's tolerance, temperature effects, and voltage effects, a 1.0  $\mu F$ , 100V, X7R capacitor will be used.

**C4:** The recommended value is 0.01 $\mu F$  for C4, as this is appropriate in the majority of applications. A high quality ceramic capacitor, with low ESR is recommended as C4 supplies the surge current to charge the buck switch gate at turn-on. A low ESR also ensures a quick recharge during each off-time. At minimum  $V_{in}$ , when the on-time is at maximum, it is possible during start-up that C4 will not fully recharge during each 300 ns off-time. The circuit will not be able to complete the start-up, and achieve output regulation. This can occur when the frequency is intended to be low (e.g.,  $R_{ON} = 500K$ ). In this case C4 should be increased so it can maintain sufficient voltage across the buck switch driver during each on-time.

**C5:** This capacitor helps avoid supply voltage transients and ringing due to long lead inductance at  $V_{IN}$ . A low ESR, 0.1 $\mu F$  ceramic chip capacitor is recommended, located close to the LM5008.

## FINAL CIRCUIT

The final circuit is shown in [Figure 14](#). The circuit was tested, and the resulting performance is shown in [Figure 7](#) through [Figure 9](#).

## MINIMUM LOAD CURRENT

A minimum load current of 1 mA is required to maintain proper operation. If the load current falls below that level, the bootstrap capacitor may discharge during the long off-time, and the circuit will either shutdown, or cycle on and off at a low frequency. If the load current is expected to drop below 1 mA in the application, the feedback resistors should be chosen low enough in value so they provide the minimum required current at nominal  $V_{out}$ .

## PC BOARD LAYOUT

The LM5008 regulation and over-voltage comparators are very fast, and as such will respond to short duration noise pulses. Layout considerations are therefore critical for optimum performance. The components at pins 1, 2, 3, 5, and 6 should be as physically close as possible to the IC, thereby minimizing noise pickup in the PC tracks. The current loop formed by D1, L1, and C2 should be as small as possible. The ground connection from C2 to C1 should be as short and direct as possible.

If the internal dissipation of the LM5008 produces excessive junction temperatures during normal operation, good use of the PC board's ground plane can help considerably to dissipate heat. The exposed pad on the bottom of the WSON-8 package can be soldered to a ground plane on the PC board, and that plane should extend out from beneath the IC to help dissipate the heat. Additionally, the use of wide PC board traces, where possible, can also help conduct heat away from the IC. Judicious positioning of the PC board within the end product, along with use of any available air flow (forced or natural convection) can help reduce the junction temperatures.

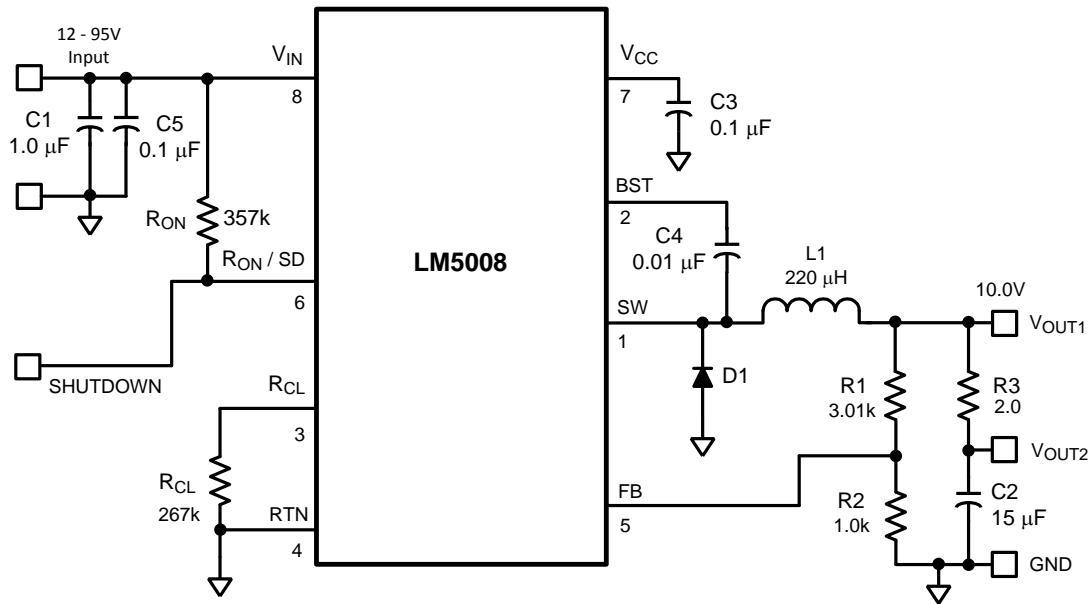


Figure 14. LM5008 Example Circuit

Table 2. Bill of Materials (Circuit of Figure 14)

Item	Description	Part Number	Value
C1	Ceramic Capacitor	TDK C4532X7R2A105M	1μF, 100V
C2	Ceramic Capacitor	TDK C4532X7R1E156M	15μF, 25V
C3	Ceramic Capacitor	Kemet C1206C104K5RAC	0.1μF, 50V
C4	Ceramic Capacitor	Kemet C1206C103K5RAC	0.01μF, 50V
C5	Ceramic Capacitor	TDK C3216X7R2A104M	0.1μF, 100V
D1	UltraFast Power Diode	ON Semi MURA110T3	100V, 1A
L1	Power Inductor	Coilcraft DO3316-224 or TDK SLF10145T-221MR65	220 μH
R1	Resistor	Vishay CRCW12063011F	3.01 kΩ
R2	Resistor	Vishay CRCW12061001F	1.0 kΩ
R3	Resistor	Vishay CRCW12062R00F	2.0 Ω
RON	Resistor	Vishay CRCW12063573F	357 kΩ
RCL	Resistor	Vishay CRCW12062673F	267 kΩ
U1	Switching Regulator	Texas Instruments LM5008	

---

**REVISION HISTORY**

<b>Changes from Revision F (March 2013) to Revision G</b>	<b>Page</b>
<hr/> <ul style="list-style-type: none"><li>• Changed layout of National Data Sheet to TI format .....</li></ul>	<hr/> <a href="#">14</a>

**PACKAGING INFORMATION**

Orderable Device	Status (1)	Package Type	Package Drawing	Pins	Package Qty	Eco Plan (2)	Lead/Ball Finish	MSL Peak Temp (3)	Op Temp (°C)	Top-Side Markings (4)	Samples
LM5008MM	ACTIVE	VSSOP	DGK	8	1000	TBD	Call TI	Call TI	-40 to 125	SAYB	<a href="#">Samples</a>
LM5008MM/NOPB	ACTIVE	VSSOP	DGK	8	1000	Green (RoHS & no Sb/Br)	CU SN	Level-1-260C-UNLIM	-40 to 125	SAYB	<a href="#">Samples</a>
LM5008MMX	ACTIVE	VSSOP	DGK	8	3500	TBD	Call TI	Call TI	-40 to 125	SAYB	<a href="#">Samples</a>
LM5008MMX/NOPB	ACTIVE	VSSOP	DGK	8	3500	Green (RoHS & no Sb/Br)	CU SN	Level-1-260C-UNLIM	-40 to 125	SAYB	<a href="#">Samples</a>
LM5008SD	NRND	WSON	NGU	8	1000	TBD	Call TI	Call TI		L00040B	
LM5008SD/NOPB	NRND	WSON	NGT	8	1000	Green (RoHS & no Sb/Br)	SN	Level-1-260C-UNLIM		L00040B	
LM5008SDC	ACTIVE	WSON	NGU	8	1000	TBD	Call TI	Call TI		L5008SD	<a href="#">Samples</a>
LM5008SDC/NOPB	ACTIVE	WSON	NGU	8	1000	Green (RoHS & no Sb/Br)	CU SN	Level-1-260C-UNLIM		L5008SD	<a href="#">Samples</a>
LM5008SDCX	ACTIVE	WSON	NGU	8	4500	TBD	Call TI	Call TI		L5008SD	<a href="#">Samples</a>
LM5008SDCX/NOPB	ACTIVE	WSON	NGU	8	4500	Green (RoHS & no Sb/Br)	CU SN	Level-1-260C-UNLIM		L5008SD	<a href="#">Samples</a>
LM5008SDX	NRND	WSON	NGT	8	4500	TBD	Call TI	Call TI		L00040B	
LM5008SDX/NOPB	NRND	WSON	NGT	8	4500	Green (RoHS & no Sb/Br)	SN	Level-1-260C-UNLIM		L00040B	

(1) The marketing status values are defined as follows:

**ACTIVE:** Product device recommended for new designs.

**LIFEBUY:** TI has announced that the device will be discontinued, and a lifetime-buy period is in effect.

**NRND:** Not recommended for new designs. Device is in production to support existing customers, but TI does not recommend using this part in a new design.

**PREVIEW:** Device has been announced but is not in production. Samples may or may not be available.

**OBSELETE:** TI has discontinued the production of the device.

(2) Eco Plan - The planned eco-friendly classification: Pb-Free (RoHS), Pb-Free (RoHS Exempt), or Green (RoHS & no Sb/Br) - please check <http://www.ti.com/productcontent> for the latest availability information and additional product content details.

**TBD:** The Pb-Free/Green conversion plan has not been defined.

**Pb-Free (RoHS):** TI's terms "Lead-Free" or "Pb-Free" mean semiconductor products that are compatible with the current RoHS requirements for all 6 substances, including the requirement that lead not exceed 0.1% by weight in homogeneous materials. Where designed to be soldered at high temperatures, TI Pb-Free products are suitable for use in specified lead-free processes.

**Pb-Free (RoHS Exempt):** This component has a RoHS exemption for either 1) lead-based flip-chip solder bumps used between the die and package, or 2) lead-based die adhesive used between the die and leadframe. The component is otherwise considered Pb-Free (RoHS compatible) as defined above.



---

**Green (RoHS & no Sb/Br):** TI defines "Green" to mean Pb-Free (RoHS compatible), and free of Bromine (Br) and Antimony (Sb) based flame retardants (Br or Sb do not exceed 0.1% by weight in homogeneous material)

(3) MSL, Peak Temp. -- The Moisture Sensitivity Level rating according to the JEDEC industry standard classifications, and peak solder temperature.

(4) Multiple Top-Side Markings will be inside parentheses. Only one Top-Side Marking contained in parentheses and separated by a "~" will appear on a device. If a line is indented then it is a continuation of the previous line and the two combined represent the entire Top-Side Marking for that device.

**Important Information and Disclaimer:** The information provided on this page represents TI's knowledge and belief as of the date that it is provided. TI bases its knowledge and belief on information provided by third parties, and makes no representation or warranty as to the accuracy of such information. Efforts are underway to better integrate information from third parties. TI has taken and continues to take reasonable steps to provide representative and accurate information but may not have conducted destructive testing or chemical analysis on incoming materials and chemicals. TI and TI suppliers consider certain information to be proprietary, and thus CAS numbers and other limited information may not be available for release.

In no event shall TI's liability arising out of such information exceed the total purchase price of the TI part(s) at issue in this document sold by TI to Customer on an annual basis.

**TAPE AND REEL INFORMATION**

**QUADRANT ASSIGNMENTS FOR PIN 1 ORIENTATION IN TAPE**


\*All dimensions are nominal

Device	Package Type	Package Drawing	Pins	SPQ	Reel Diameter (mm)	Reel Width W1 (mm)	A0 (mm)	B0 (mm)	K0 (mm)	P1 (mm)	W (mm)	Pin1 Quadrant
LM5008MM	VSSOP	DGK	8	1000	178.0	12.4	5.3	3.4	1.4	8.0	12.0	Q1
LM5008MM/NOPB	VSSOP	DGK	8	1000	178.0	12.4	5.3	3.4	1.4	8.0	12.0	Q1
LM5008MMX	VSSOP	DGK	8	3500	330.0	12.4	5.3	3.4	1.4	8.0	12.0	Q1
LM5008MMX/NOPB	VSSOP	DGK	8	3500	330.0	12.4	5.3	3.4	1.4	8.0	12.0	Q1
LM5008SD	WSO	NGU	8	1000	178.0	12.4	4.3	4.3	1.3	8.0	12.0	Q1
LM5008SD/NOPB	WSO	NGT	8	1000	178.0	12.4	4.3	4.3	1.3	8.0	12.0	Q1
LM5008SDC	WSO	NGU	8	1000	178.0	12.4	4.3	4.3	1.3	8.0	12.0	Q1
LM5008SDC/NOPB	WSO	NGU	8	1000	178.0	12.4	4.3	4.3	1.3	8.0	12.0	Q1
LM5008SDCX	WSO	NGU	8	4500	330.0	12.4	4.3	4.3	1.3	8.0	12.0	Q1
LM5008SDCX/NOPB	WSO	NGU	8	4500	330.0	12.4	4.3	4.3	1.3	8.0	12.0	Q1
LM5008SDX	WSO	NGT	8	4500	330.0	12.4	4.3	4.3	1.3	8.0	12.0	Q1
LM5008SDX/NOPB	WSO	NGT	8	4500	330.0	12.4	4.3	4.3	1.3	8.0	12.0	Q1

**TAPE AND REEL BOX DIMENSIONS**


\*All dimensions are nominal

Device	Package Type	Package Drawing	Pins	SPQ	Length (mm)	Width (mm)	Height (mm)
LM5008MM	VSSOP	DGK	8	1000	203.0	190.0	41.0
LM5008MM/NOPB	VSSOP	DGK	8	1000	203.0	190.0	41.0
LM5008MMX	VSSOP	DGK	8	3500	367.0	367.0	35.0
LM5008MMX/NOPB	VSSOP	DGK	8	3500	367.0	367.0	35.0
LM5008SD	WSON	NGU	8	1000	203.0	190.0	41.0
LM5008SD/NOPB	WSON	NGT	8	1000	203.0	190.0	41.0
LM5008SDC	WSON	NGU	8	1000	203.0	190.0	41.0
LM5008SDC/NOPB	WSON	NGU	8	1000	203.0	190.0	41.0
LM5008SDCX	WSON	NGU	8	4500	367.0	367.0	35.0
LM5008SDCX/NOPB	WSON	NGU	8	4500	367.0	367.0	35.0
LM5008SDX	WSON	NGT	8	4500	367.0	367.0	35.0
LM5008SDX/NOPB	WSON	NGT	8	4500	367.0	367.0	35.0

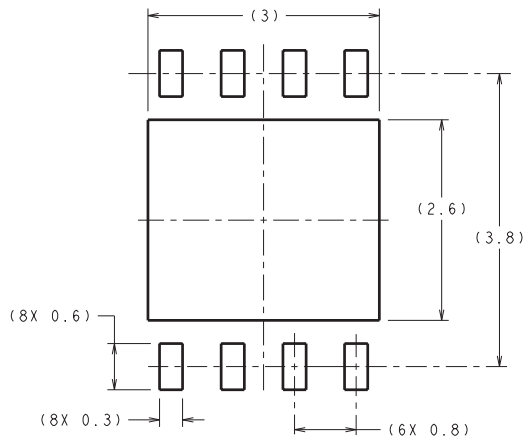
DGK (S-PDSO-G8)

PLASTIC SMALL-OUTLINE PACKAGE

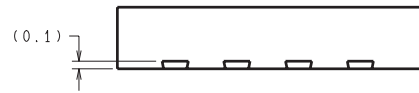


- NOTES:
- A. All linear dimensions are in millimeters.
  - B. This drawing is subject to change without notice.
  - C. Body length does not include mold flash, protrusions, or gate burrs. Mold flash, protrusions, or gate burrs shall not exceed 0.15 per end.
  - D. Body width does not include interlead flash. Interlead flash shall not exceed 0.50 per side.
  - E. Falls within JEDEC MO-187 variation AA, except interlead flash.

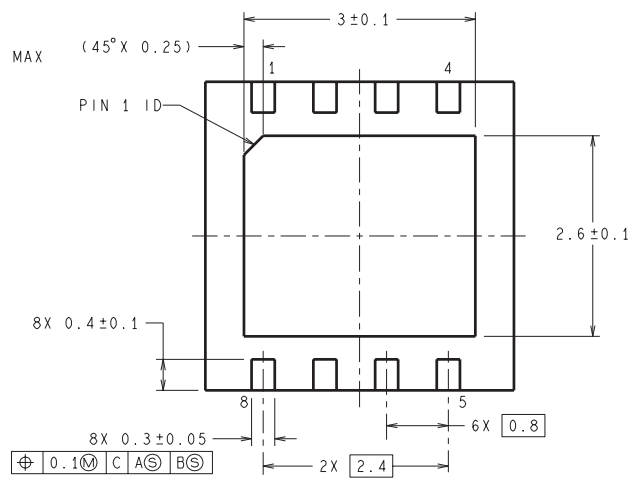
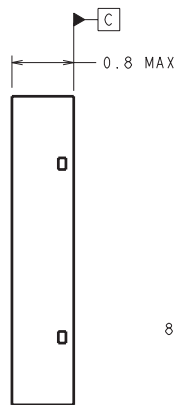
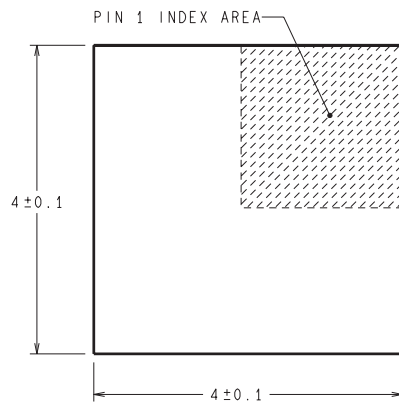
NGT0008A



DIMENSIONS ARE IN MILLIMETERS  
DIMENSIONS IN ( ) FOR REFERENCE ONLY

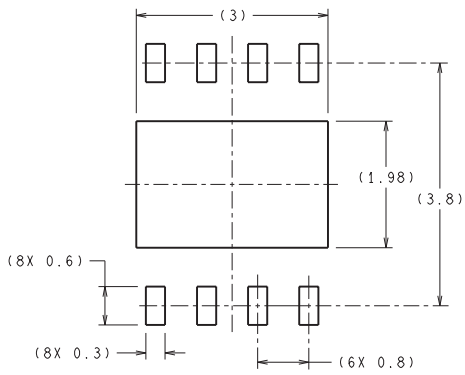


RECOMMENDED LAND PATTERN

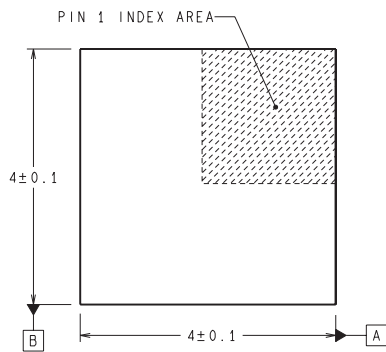


SDC08A (Rev A)

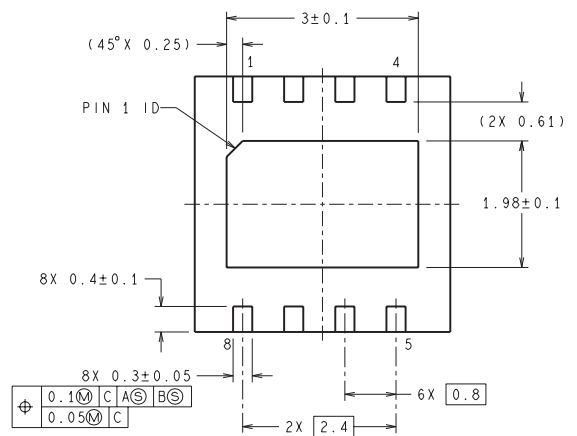
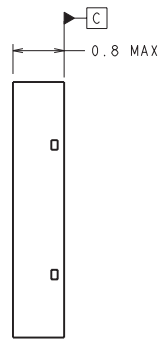
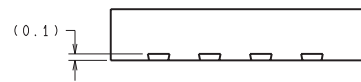
NGU0008B



RECOMMENDED LAND PATTERN



DIMENSIONS ARE IN MILLIMETERS  
DIMENSIONS IN ( ) FOR REFERENCE ONLY



SDC08B (Rev A)

## IMPORTANT NOTICE

Texas Instruments Incorporated and its subsidiaries (TI) reserve the right to make corrections, enhancements, improvements and other changes to its semiconductor products and services per JESD46, latest issue, and to discontinue any product or service per JESD48, latest issue. Buyers should obtain the latest relevant information before placing orders and should verify that such information is current and complete. All semiconductor products (also referred to herein as "components") are sold subject to TI's terms and conditions of sale supplied at the time of order acknowledgment.

TI warrants performance of its components to the specifications applicable at the time of sale, in accordance with the warranty in TI's terms and conditions of sale of semiconductor products. Testing and other quality control techniques are used to the extent TI deems necessary to support this warranty. Except where mandated by applicable law, testing of all parameters of each component is not necessarily performed.

TI assumes no liability for applications assistance or the design of Buyers' products. Buyers are responsible for their products and applications using TI components. To minimize the risks associated with Buyers' products and applications, Buyers should provide adequate design and operating safeguards.

TI does not warrant or represent that any license, either express or implied, is granted under any patent right, copyright, mask work right, or other intellectual property right relating to any combination, machine, or process in which TI components or services are used. Information published by TI regarding third-party products or services does not constitute a license to use such products or services or a warranty or endorsement thereof. Use of such information may require a license from a third party under the patents or other intellectual property of the third party, or a license from TI under the patents or other intellectual property of TI.

Reproduction of significant portions of TI information in TI data books or data sheets is permissible only if reproduction is without alteration and is accompanied by all associated warranties, conditions, limitations, and notices. TI is not responsible or liable for such altered documentation. Information of third parties may be subject to additional restrictions.

Resale of TI components or services with statements different from or beyond the parameters stated by TI for that component or service voids all express and any implied warranties for the associated TI component or service and is an unfair and deceptive business practice. TI is not responsible or liable for any such statements.

Buyer acknowledges and agrees that it is solely responsible for compliance with all legal, regulatory and safety-related requirements concerning its products, and any use of TI components in its applications, notwithstanding any applications-related information or support that may be provided by TI. Buyer represents and agrees that it has all the necessary expertise to create and implement safeguards which anticipate dangerous consequences of failures, monitor failures and their consequences, lessen the likelihood of failures that might cause harm and take appropriate remedial actions. Buyer will fully indemnify TI and its representatives against any damages arising out of the use of any TI components in safety-critical applications.

In some cases, TI components may be promoted specifically to facilitate safety-related applications. With such components, TI's goal is to help enable customers to design and create their own end-product solutions that meet applicable functional safety standards and requirements. Nonetheless, such components are subject to these terms.

No TI components are authorized for use in FDA Class III (or similar life-critical medical equipment) unless authorized officers of the parties have executed a special agreement specifically governing such use.

Only those TI components which TI has specifically designated as military grade or "enhanced plastic" are designed and intended for use in military/aerospace applications or environments. Buyer acknowledges and agrees that any military or aerospace use of TI components which have **not** been so designated is solely at the Buyer's risk, and that Buyer is solely responsible for compliance with all legal and regulatory requirements in connection with such use.

TI has specifically designated certain components as meeting ISO/TS16949 requirements, mainly for automotive use. In any case of use of non-designated products, TI will not be responsible for any failure to meet ISO/TS16949.

### Products

Audio	<a href="http://www.ti.com/audio">www.ti.com/audio</a>
Amplifiers	<a href="http://amplifier.ti.com">amplifier.ti.com</a>
Data Converters	<a href="http://dataconverter.ti.com">dataconverter.ti.com</a>
DLP® Products	<a href="http://www.dlp.com">www.dlp.com</a>
DSP	<a href="http://dsp.ti.com">dsp.ti.com</a>
Clocks and Timers	<a href="http://www.ti.com/clocks">www.ti.com/clocks</a>
Interface	<a href="http://interface.ti.com">interface.ti.com</a>
Logic	<a href="http://logic.ti.com">logic.ti.com</a>
Power Mgmt	<a href="http://power.ti.com">power.ti.com</a>
Microcontrollers	<a href="http://microcontroller.ti.com">microcontroller.ti.com</a>
RFID	<a href="http://www.ti-rfid.com">www.ti-rfid.com</a>
OMAP Applications Processors	<a href="http://www.ti.com/omap">www.ti.com/omap</a>
Wireless Connectivity	<a href="http://www.ti.com/wirelessconnectivity">www.ti.com/wirelessconnectivity</a>

### Applications

Automotive and Transportation	<a href="http://www.ti.com/automotive">www.ti.com/automotive</a>
Communications and Telecom	<a href="http://www.ti.com/communications">www.ti.com/communications</a>
Computers and Peripherals	<a href="http://www.ti.com/computers">www.ti.com/computers</a>
Consumer Electronics	<a href="http://www.ti.com/consumer-apps">www.ti.com/consumer-apps</a>
Energy and Lighting	<a href="http://www.ti.com/energy">www.ti.com/energy</a>
Industrial	<a href="http://www.ti.com/industrial">www.ti.com/industrial</a>
Medical	<a href="http://www.ti.com/medical">www.ti.com/medical</a>
Security	<a href="http://www.ti.com/security">www.ti.com/security</a>
Space, Avionics and Defense	<a href="http://www.ti.com/space-avionics-defense">www.ti.com/space-avionics-defense</a>
Video and Imaging	<a href="http://www.ti.com/video">www.ti.com/video</a>

### TI E2E Community

[e2e.ti.com](http://e2e.ti.com)