

LM117JAN 3-Terminal Adjustable Regulator

Check for Samples: [LM117JAN](#)

FEATURES

- Specified 0.5A or 1.5A Output Current
- Adjustable Output Down to 1.2V
- Current Limit Constant with Temperature
- 80 dB Ripple Rejection
- Output is Short-circuit Protected

DESCRIPTION

The LM117 adjustable 3-terminal positive voltage regulator is capable of supplying either 0.5A or 1.5A over a 1.2V to 37V output range. It is exceptionally easy to use and requires only two external resistors to set the output voltage. Further, both line and load regulation are better than standard fixed regulators.

In addition to higher performance than fixed regulators, the LM117 series offers full overload protection available only in IC's. Included on the chip are current limit, thermal overload protection and safe area protection. All overload protection circuitry remains fully functional even if the adjustment terminal is disconnected.

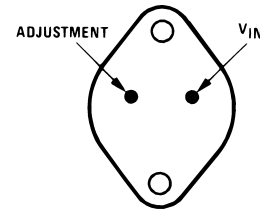
Normally, no capacitors are needed unless the device is situated more than 6 inches from the input filter capacitors in which case an input bypass is needed. An optional output capacitor can be added to improve transient response. The adjustment terminal can be bypassed to achieve very high ripple rejection ratios which are difficult to achieve with standard 3-terminal regulators.

Besides replacing fixed regulators, the LM117 is useful in a wide variety of other applications. Since the regulator is "floating" and sees only the input-to-output differential voltage, supplies of several hundred volts can be regulated as long as the maximum input to output differential is not exceeded, i.e., avoid short-circuiting the output.

Also, it makes an especially simple adjustable switching regulator, a programmable output regulator, or by connecting a fixed resistor between the adjustment pin and output, the LM117 can be used as a precision current regulator. Supplies with electronic shutdown can be achieved by clamping the adjustment terminal to ground which programs the output to 1.2V where most loads draw little current.

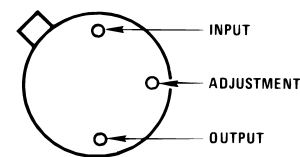
For the negative complement, see LM137 series data sheet.

Connection Diagrams



CASE IS OUTPUT

**Figure 1. (TO-3)
Metal Can Package
Bottom View
Steel Package
Package Number K0002C**



CASE IS OUTPUT

**Figure 2. (TO)
Metal Can Package
Bottom View
Package Number NDT0003A**

Table 1. LM117 Series Packages

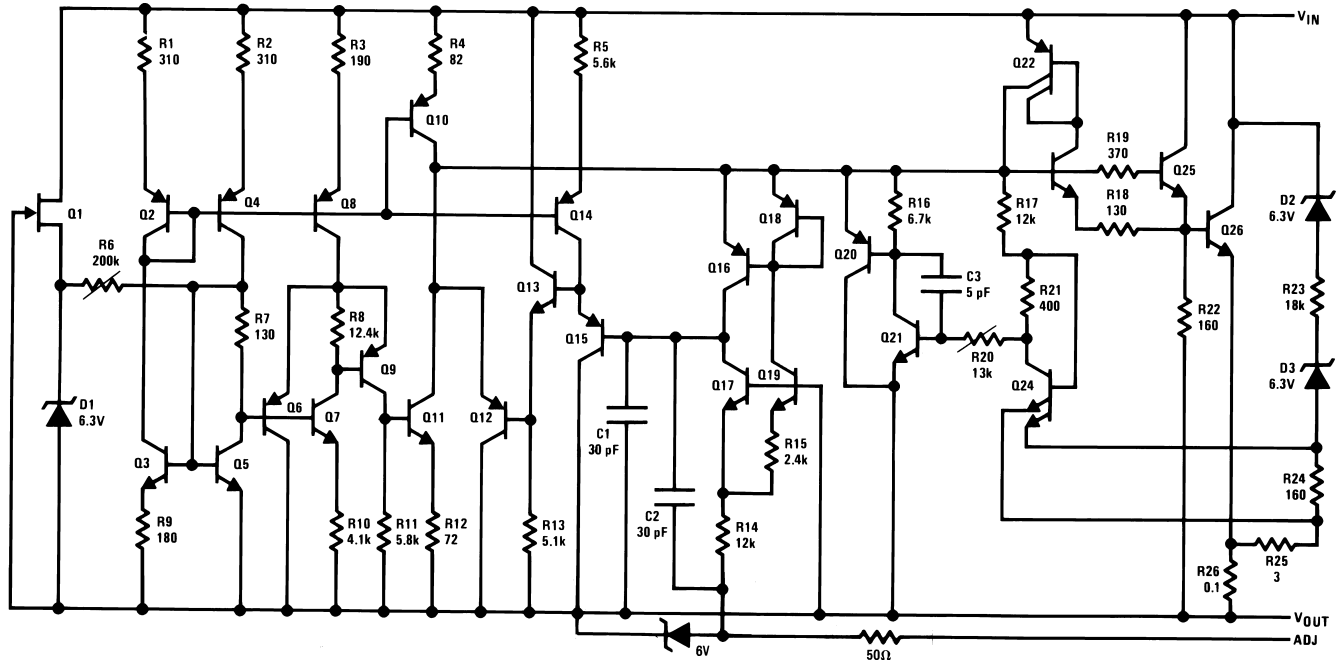
Part Number Suffix	Package	Design Load Current
K	TO-3	1.5A
NDT	TO	0.5A



Please be aware that an important notice concerning availability, standard warranty, and use in critical applications of Texas Instruments semiconductor products and disclaimers thereto appears at the end of this data sheet.

All trademarks are the property of their respective owners.

Schematic Diagram





These devices have limited built-in ESD protection. The leads should be shorted together or the device placed in conductive foam during storage or handling to prevent electrostatic damage to the MOS gates.

Absolute Maximum Ratings⁽¹⁾

Power Dissipation ⁽²⁾	Internally Limited	
Input-Output Voltage Differential	+40V, -0.3V	
Storage Temperature	-65°C ≤ T _A ≤ +150°C	
Maximum Junction Temperature (T _{Jmax})	+150°C	
Lead Temperature Metal Package	300°C	
Thermal Resistance		
θ _{JA}	TO-3 Still Air	39°C/W
	TO-3 500LF/Min Air flow	14°C/W
	TO Still Air	186°C/W
	TO 500LF/Min Air flow	64°C/W
θ _{JC}	TO-3	1.9°C/W
	TO Metal Can	21°C/W
ESD Tolerance ⁽³⁾	3KV	

- (1) Absolute Maximum Ratings indicate limits beyond which damage to the device may occur. Operating Ratings indicate conditions for which the device is functional, but do not ensure specific performance limits. For ensured specifications and test conditions, see the Electrical Characteristics. The ensured specifications apply only for the test conditions listed. Some performance characteristics may degrade when the device is not operated under the listed test conditions.
- (2) The maximum power dissipation must be derated at elevated temperatures and is dictated by T_{Jmax} (maximum junction temperature), θ_{JA} (package junction to ambient thermal resistance), and T_A (ambient temperature). The maximum allowable power dissipation at any temperature is P_{Dmax} = (T_{Jmax} - T_A)/θ_{JA} or the number given in the Absolute Maximum Ratings, whichever is lower. "Although power dissipation is internally limited, these specifications are applicable for power dissipations of 2W for the TO package and 20W for the TO-3 package."
- (3) Human body model, 100 pF discharged through a 1.5 kΩ resistor.

Recommended Operating Conditions

Operating Temperature Range	-55°C ≤ T _A ≤ +125°C
Input Voltage Range	4.25V to 41.25V

Quality Conformance Inspection

MIL-STD-883, Method 5005 - Group A

Subgroup	Description	Temp °C
1	Static tests at	25
2	Static tests at	125
3	Static tests at	-55
4	Dynamic tests at	25
5	Dynamic tests at	125
6	Dynamic tests at	-55
7	Functional tests at	25
8A	Functional tests at	125
8B	Functional tests at	-55
9	Switching tests at	25
10	Switching tests at	125
11	Switching tests at	-55
12	Settling time at	25
13	Settling time at	125
14	Settling time at	-55

LM117H JAN Electrical Characteristics DC Parameters

Symbol	Parameter	Conditions	Notes	Min	Max	Unit	Sub-group
V _O	Output Voltage	V _I = 4.25V, I _L = -5mA		1.2	1.3	V	1, 2, 3
		V _I = 4.25V, I _L = -500mA		1.2	1.3	V	1, 2, 3
		V _I = 41.25V, I _L = -5mA		1.2	1.3	V	1, 2, 3
		V _I = 41.25V, I _L = -50mA		1.2	1.3	V	1, 2, 3
V _{RLine}	Line Regulation	4.25V ≤ V _I ≤ 41.25V, I _L = -5mA		-9.0	9.0	mV	1
				-23	23	mV	2, 3
V _{RLoad}	Load Regulation	V _I = 6.25V, -500mA ≤ I _L ≤ -5mA		-12	12	mV	1, 2, 3
		V _I = 41.25V, -50mA ≤ I _L ≤ -5mA		-12	12	mV	1, 2, 3
θ _R	Thermal Regulation	V _I = 14.6V, I _L = -500mA		-12	12	mV	1
I _{Adj}	Adjust Pin Current	V _I = 4.25V, I _L = -5mA		-100	-15	μA	1, 2, 3
		V _I = 41.25V, I _L = -5mA		-100	-15	μA	1, 2, 3
ΔI _{Adj} / Line	Adjust Pin Current Change	4.25V ≤ V _I ≤ 41.25V, I _L = -5mA		-5.0	5.0	μA	1, 2, 3
ΔI _{Adj} / Load	Adjust Pin Current Change	V _I = 6.25V, -500mA ≤ I _L ≤ -5mA		-5.0	5.0	μA	1, 2, 3
I _{OS}	Output Short Circuit Current	V _I = 4.25V		-1.8	-0.5	A	1, 2, 3
		V _I = 40V		-0.5	-0.05	A	1, 2, 3
V _O Recov	Output Voltage Recovery	V _I = 4.25V, R _L = 2.5Ω, C _L = 20μF		1.2	1.3	V	1, 2, 3
		V _I = 40V, R _L = 250Ω		1.2	1.3	V	1, 2, 3
I _Q	Minimum Load Current	V _I = 4.25V, Forced V _O = 1.4V		-3.0	-0.5	mA	1, 2, 3
		V _I = 14.25V, Forced V _O = 1.4V		-3.0	-0.5	mA	1, 2, 3
		V _I = 41.25V, Forced V _O = 1.4V		-5.0	-1.0	mA	1, 2, 3
V _{Start}	Voltage Start-Up	V _I = 4.25V, R _L = 2.5Ω, C _L = 20μF, I _L = -500mA		1.2	1.3	V	1, 2, 3
V _O	Output Voltage	V _I = 6.25V, I _L = -5mA	(1)	1.2	1.3	V	2

(1) Tested @ T_A = 125°C, correlated to T_A = 150°C**LM117H JAN Electrical Characteristics AC Parameters**

Symbol	Parameter	Conditions	Notes	Min	Max	Unit	Sub-group
V _{NO}	Output Noise Voltage	V _I = 6.25V, I _L = -50mA			120	μV _{RMS}	7
ΔV _O / ΔV _I	Line Transient Response	V _I = 6.25V, ΔV _I = 3V, I _L = -10mA			6	mV/V	7
ΔV _O / ΔI _L	Load Transient Response	V _I = 6.25V, ΔI _L = -200mA, I _L = -50mA			0.6	mV/mA	7
ΔV _I / ΔV _O	Ripple Rejection	V _I = 6.25V, I _L = -125mA e _i = 1V _{RMS} at f = 2400Hz,		65		dB	4

LM117H JAN Electrical Characteristics DC Drift Parameters

Deltas performed on JAN S devices at Group B, Subgroup 5, only.

Symbol	Parameter	Conditions	Notes	Min	Max	Unit	Sub-group
V _O	Output Voltage	V _I = 4.25V, I _L = -5mA		-0.01	0.01	V	1
		V _I = 4.25V, I _L = -500mA		-0.01	0.01	V	1
		V _I = 41.25V, I _L = -5mA		-0.01	0.01	V	1
		V _I = 41.25V, I _L = -50mA		-0.01	0.01	V	1
V _{RLine}	Line Regulation	4.25V ≤ V _I ≤ 41.25V, I _L = -5mA		-4.0	4.0	mV	1
I _{Adj}	Adjust Pin Current	V _I = 4.25V, I _L = -5mA		-10	10	μA	1
		V _I = 41.25V, I _L = -5mA		-10	10	μA	1

LM117K JAN Electrical Characteristics DC Parameters

Symbol	Parameter	Conditions	Notes	Min	Max	Unit	Sub-group
V _O	Output Voltage	V _I = 4.25V, I _L = -5mA		1.2	1.3	V	1, 2, 3
		V _I = 4.25V, I _L = -1.5A		1.2	1.3	V	1, 2, 3
		V _I = 41.25V, I _L = -5mA		1.2	1.3	V	1, 2, 3
		V _I = 41.25V, I _L = -200mA		1.2	1.3	V	1, 2, 3
V _{RLine}	Line Regulation	4.25V ≤ V _I ≤ 41.25V, I _L = -5mA		-9.0	9.0	mV	1
				-23	23	mV	2, 3
V _{RLoad}	Load Regulation	V _I = 6.25V, -1.5A ≤ I _L ≤ -5mA		-3.5	3.5	mV	1
				-12	12	mV	2, 3
			V _I = 41.25V, -200mA ≤ I _L ≤ -5mA		-3.5	3.5	mV
				-12	12	mV	2, 3
θ _R	Thermal Regulation	V _I = 14.6V, I _L = -1.5A		-12	12	mV	1
I _{Adj}	Adjust Pin Current	V _I = 4.25V, I _L = -5mA		-100	-15	μA	1, 2, 3
		V _I = 41.25V, I _L = -5mA		-100	-15	μA	1, 2, 3
ΔI _{Adj} / Line	Adjust Pin Current Change	4.25V ≤ V _I ≤ 41.25V, I _L = -5mA		-5.0	5.0	μA	1, 2, 3
ΔI _{Adj} / Load	Adjust Pin Current Change	V _I = 6.25V, -1.5A ≤ I _L ≤ -5mA		-5.0	5.0	μA	1, 2, 3
I _{OS}	Output Short Circuit Current	V _I = 4.25V		-3.5	-1.5	A	1, 2, 3
		V _I = 40V		-1.0	-0.18	A	1, 2, 3
V _O Recov	Output Voltage Recovery	V _I = 4.25V, R _L = 0.833Ω, C _L = 20μF		1.2	1.3	V	1, 2, 3
		V _I = 40V, R _L = 250Ω		1.2	1.3	V	1, 2, 3
I _Q	Minimum Load Current	V _I = 4.25V, Forced V _O = 1.4V		-3.0	-0.2	mA	1, 2, 3
		V _I = 14.25V, Forced V _O = 1.4V		-3.0	-0.2	mA	1, 2, 3
		V _I = 41.25V, Forced V _O = 1.4V		-5.0	-0.2	mA	1, 2, 3
V _{Start}	Voltage Start-Up	V _I = 4.25V, R _L = 0.833Ω, C _L = 20μF, I _L = -1.5A		1.2	1.3	V	1, 2, 3
V _O	Output Voltage	V _I = 6.25V, I _L = -5mA	(1)	1.2	1.3	V	2

 (1) Tested @ T_A = 125°C, correlated to T_A = 150°C

LM117K JAN Electrical Characteristics AC Parameters

Symbol	Parameter	Conditions	Notes	Min	Max	Unit	Sub-group
V_{NO}	Output Noise Voltage	$V_I = 6.25V, I_L = -100mA$			120	μV_{RMS}	7
$\Delta V_O / \Delta V_I$	Line Transient Response	$V_I = 6.25V, \Delta V_I = 3V,$ $I_L = -10mA$	(1)		18	mV	7
$\Delta V_O / \Delta I_L$	Load Transient Response	$V_I = 6.25V, \Delta I_L = -400mA,$ $I_L = -100mA$	(2)		120	mV	7
$\Delta V_I / \Delta V_O$	Ripple Rejection	$V_I = 6.25V, I_L = -500mA$ $e_i = 1V_{RMS}$ at $f = 2400Hz,$		65		dB	4

(1) SS limit of 6mV/V is equivalent to 18mV

(2) SS limit of 0.3mV/V is equivalent to 120mV

LM117K JAN Electrical Characteristics DC Drift Parameters

Deltas performed on JAN S devices at Group B, Subgroup 5, only.

Symbol	Parameter	Conditions	Notes	Min	Max	Unit	Sub-group
V_O	Output Voltage	$V_I = 4.25V, I_L = -5mA$		-0.01	0.01	V	1
		$V_I = 4.25V, I_L = -1.5A$		-0.01	0.01	V	1
		$V_I = 41.25V, I_L = -5mA$		-0.01	0.01	V	1
		$V_I = 41.25V, I_L = -200mA$		-0.01	0.01	V	1
V_{RLine}	Line Regulation	$4.25V \leq V_I \leq 41.25V,$ $I_L = -5mA$		-4.0	4.0	mV	1
I_{Adj}	Adjust Pin Current	$V_I = 4.25V, I_L = -5mA$		-10	10	μA	1
		$V_I = 41.25V, I_L = -5mA$		-10	10	μA	1

Typical Performance Characteristics

Output Capacitor = 0 μ F unless otherwise noted

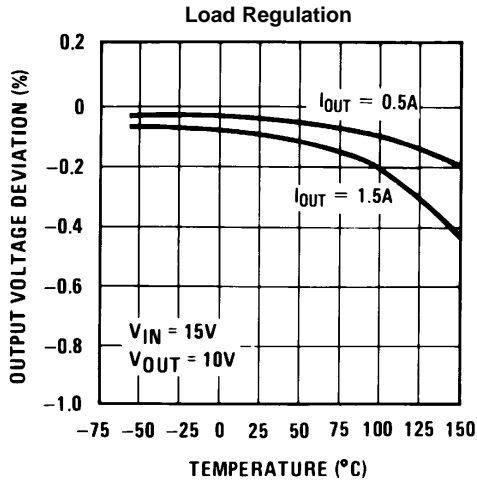


Figure 3.

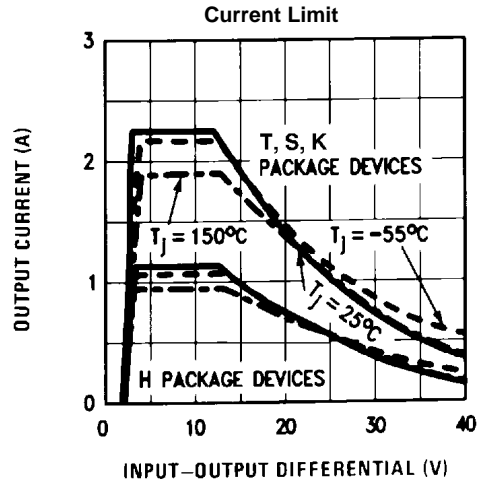


Figure 4.

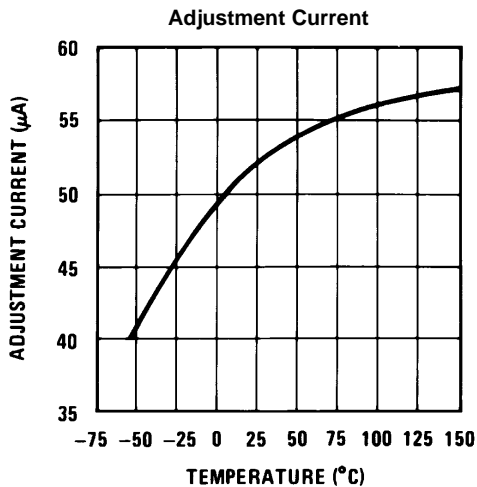


Figure 5.

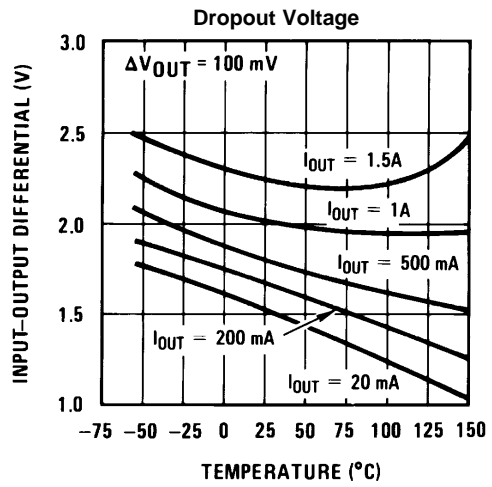


Figure 6.

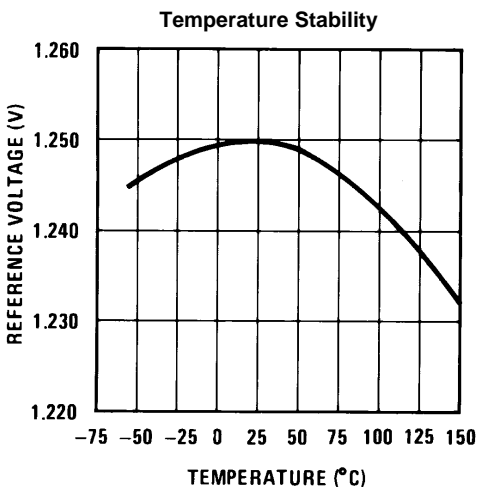


Figure 7.

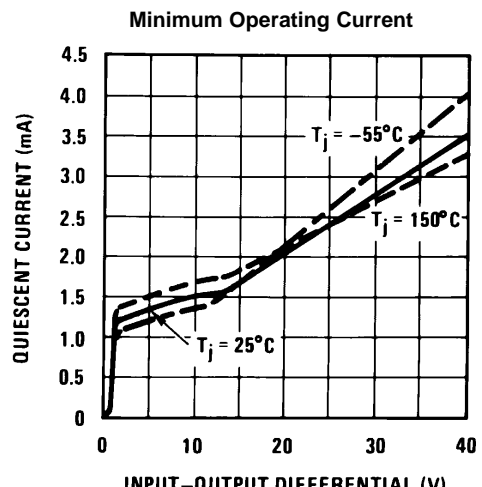


Figure 8.

Typical Performance Characteristics (continued)

Output Capacitor = 0 μ F unless otherwise noted

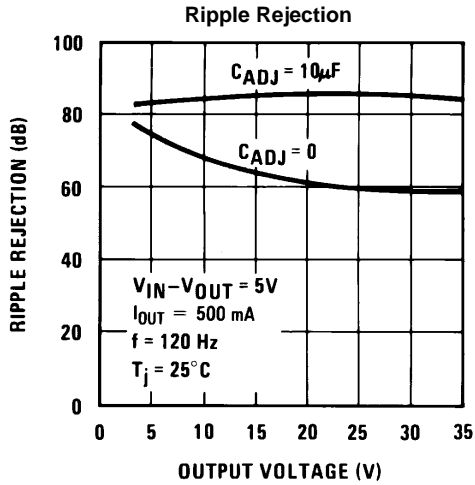


Figure 9.

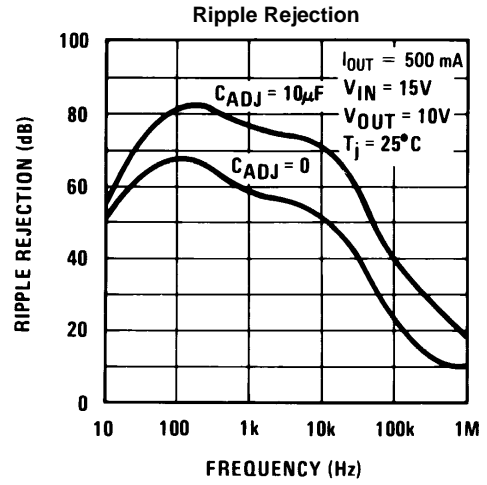


Figure 10.

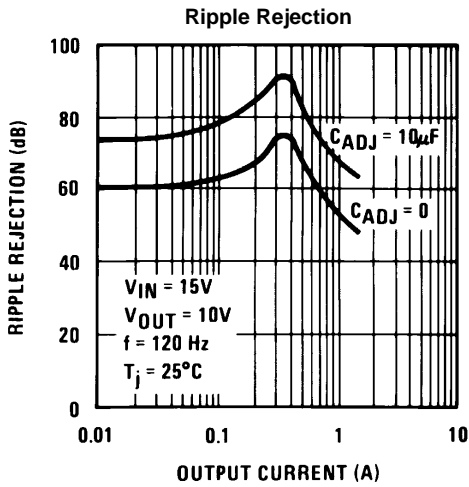


Figure 11.

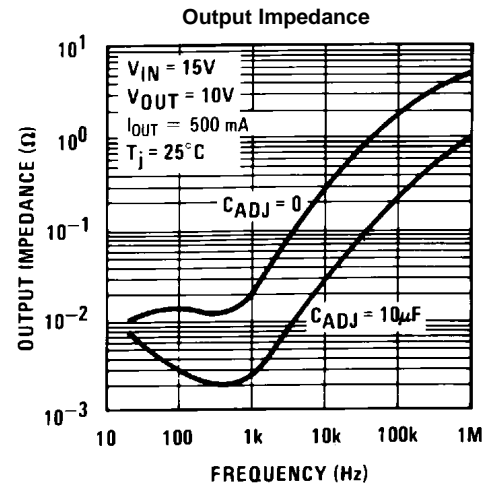


Figure 12.

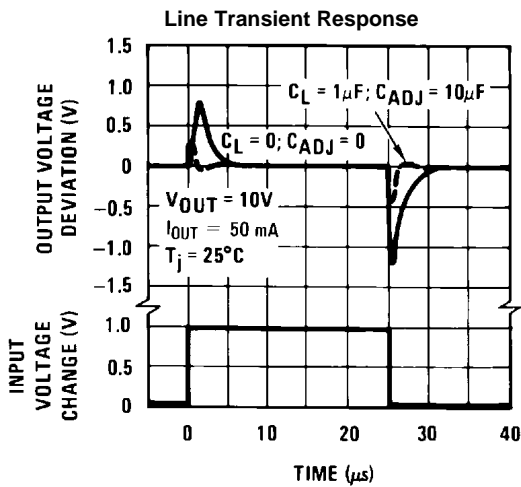


Figure 13.

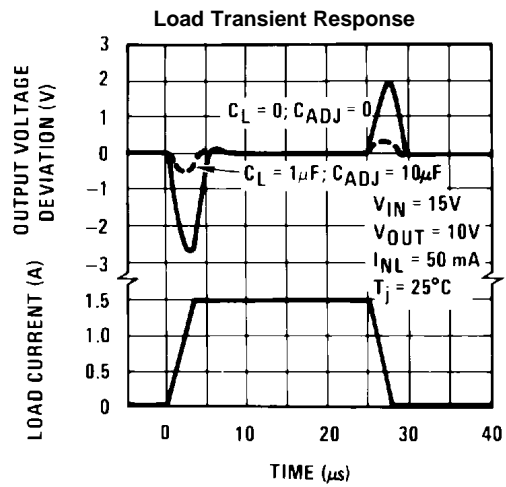


Figure 14.

APPLICATION HINTS

In operation, the LM117 develops a nominal 1.25V reference voltage, V_{REF} , between the output and adjustment terminal. The reference voltage is impressed across program resistor R1 and, since the voltage is constant, a constant current I_1 then flows through the output set resistor R2, giving an output voltage of

$$V_{OUT} = V_{REF} \left(1 + \frac{R_2}{R_1} \right) + I_{ADJ}R_2 \quad (1)$$

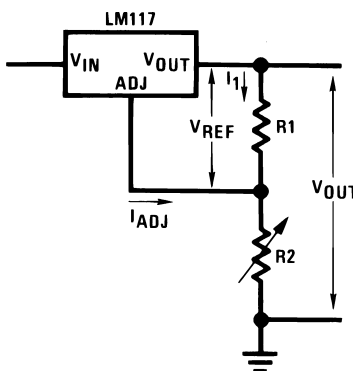


Figure 15.

Since the 100 μ A current from the adjustment terminal represents an error term, the LM117 was designed to minimize I_{ADJ} and make it very constant with line and load changes. To do this, all quiescent operating current is returned to the output establishing a minimum load current requirement. If there is insufficient load on the output, the output will rise.

EXTERNAL CAPACITORS

An input bypass capacitor is recommended. A 0.1 μ F disc or 1 μ F solid tantalum on the input is suitable input bypassing for almost all applications. The device is more sensitive to the absence of input bypassing when adjustment or output capacitors are used but the above values will eliminate the possibility of problems.

The adjustment terminal can be bypassed to ground on the LM117 to improve ripple rejection. This bypass capacitor prevents ripple from being amplified as the output voltage is increased. With a 10 μ F bypass capacitor 80dB ripple rejection is obtainable at any output level. Increases over 10 μ F do not appreciably improve the ripple rejection at frequencies above 120Hz. If the bypass capacitor is used, it is sometimes necessary to include protection diodes to prevent the capacitor from discharging through internal low current paths and damaging the device.

In general, the best type of capacitors to use is solid tantalum. Solid tantalum capacitors have low impedance even at high frequencies. Depending upon capacitor construction, it takes about 25 μ F in aluminum electrolytic to equal 1 μ F solid tantalum at high frequencies. Ceramic capacitors are also good at high frequencies; but some types have a large decrease in capacitance at frequencies around 0.5MHz. For this reason, 0.01 μ F disc may seem to work better than a 0.1 μ F disc as a bypass.

Although the LM117 is stable with no output capacitors, like any feedback circuit, certain values of external capacitance can cause excessive ringing. This occurs with values between 500 pF and 5000 pF. A 1 μ F solid tantalum (or 25 μ F aluminum electrolytic) on the output swamps this effect and insures stability. Any increase of the load capacitance larger than 10 μ F will merely improve the loop stability and output impedance.

LOAD REGULATION

The LM117 is capable of providing extremely good load regulation but a few precautions are needed to obtain maximum performance. The current set resistor connected between the adjustment terminal and the output terminal (usually 240 Ω) should be tied directly to the output (case) of the regulator rather than near the load. This eliminates line drops from appearing effectively in series with the reference and degrading regulation. For example, a 15V regulator with 0.05 Ω resistance between the regulator and load will have a load regulation due to line resistance of 0.05 Ω \times I_L . If the set resistor is connected near the load the effective line resistance will be 0.05 Ω (1 + R2/R1) or in this case, 11.5 times worse.

Figure 16 shows the effect of resistance between the regulator and 240Ω set resistor.

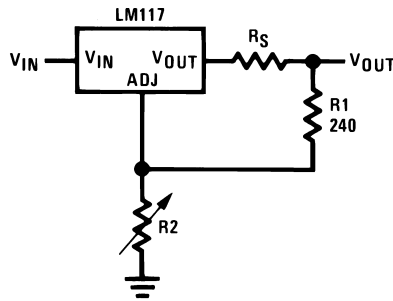


Figure 16. Regulator with Line Resistance in Output Lead

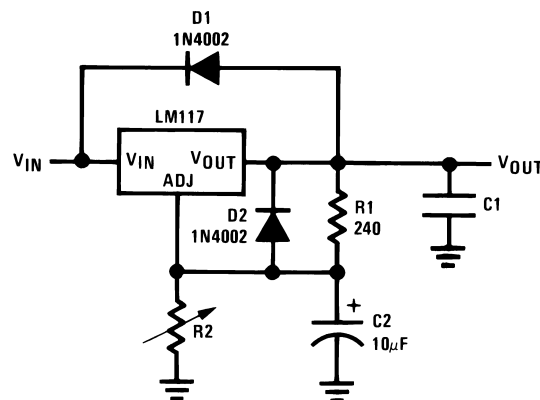
With the TO-3 package, it is easy to minimize the resistance from the case to the set resistor, by using two separate leads to the case. However, with the TO package, care should be taken to minimize the wire length of the output lead. The ground of R2 can be returned near the ground of the load to provide remote ground sensing and improve load regulation.

PROTECTION DIODES

When external capacitors are used with *any* IC regulator it is sometimes necessary to add protection diodes to prevent the capacitors from discharging through low current points into the regulator. Most 10μF capacitors have low enough internal series resistance to deliver 20A spikes when shorted. Although the surge is short, there is enough energy to damage parts of the IC.

When an output capacitor is connected to a regulator and the input is shorted, the output capacitor will discharge into the output of the regulator. The discharge current depends on the value of the capacitor, the output voltage of the regulator, and the rate of decrease of V_{IN} . In the LM117, this discharge path is through a large junction that is able to sustain 15A surge with no problem. This is not true of other types of positive regulators. For output capacitors of 25μF or less, there is no need to use diodes.

The bypass capacitor on the adjustment terminal can discharge through a low current junction. Discharge occurs when *either* the input or output is shorted. Internal to the LM117 is a 50Ω resistor which limits the peak discharge current. No protection is needed for output voltages of 25V or less and 10μF capacitance. Figure 17 shows an LM117 with protection diodes included for use with outputs greater than 25V and high values of output capacitance.



$$V_{OUT} = 1.25V \left(1 + \frac{R_2}{R_1} \right) + I_{ADJ}R_2$$

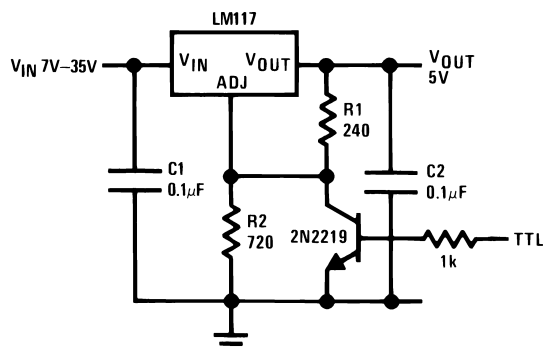
D1 protects against C1
D2 protects against C2

Figure 17. Regulator with Protection Diodes

When a value for $\theta_{(H-A)}$ is found using the equation shown, a heatsink must be selected that has a value that is less than or equal to this number.

$\theta_{(H-A)}$ is specified numerically by the heatsink manufacturer in the catalog, or shown in a curve that plots temperature rise vs power dissipation for the heatsink.

Typical Applications



*Min. output $\approx 1.2V$

Figure 18. 5V Logic Regulator with Electronic Shutdown*

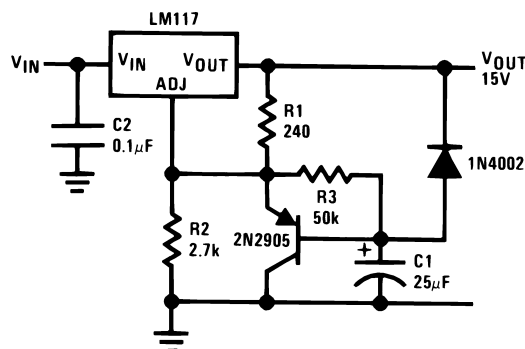
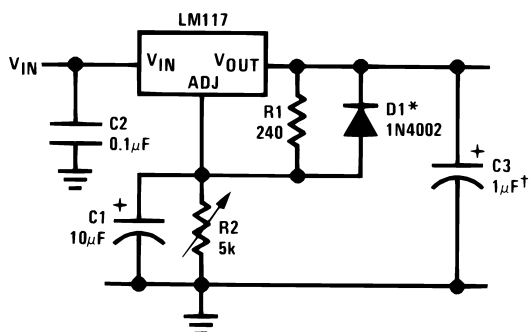


Figure 19. Slow Turn-On 15V Regulator



†Solid tantalum

*Discharges C1 if output is shorted to ground

Figure 20. Adjustable Regulator with Improved Ripple Rejection

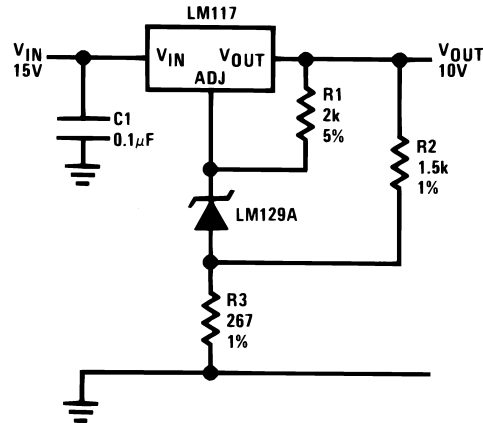
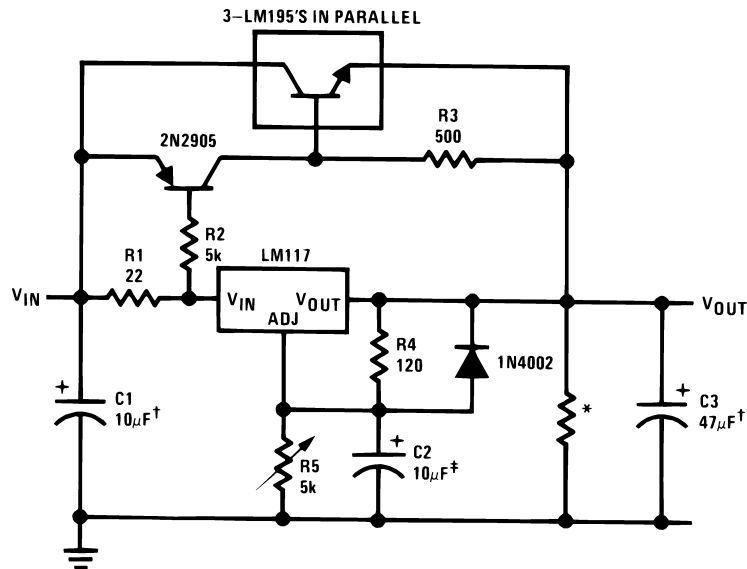
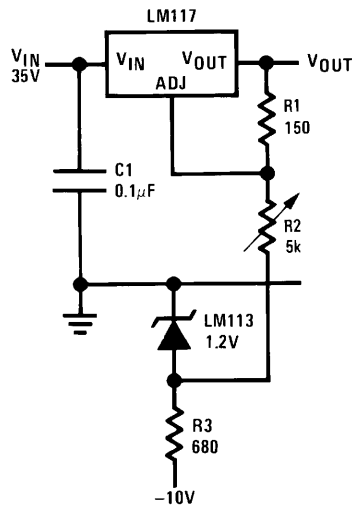


Figure 21. High Stability 10V Regulator



‡Optional—improves ripple rejection
 †Solid tantalum
 *Minimum load current = 30 mA

Figure 22. High Current Adjustable Regulator



Full output current not available at high input-output voltages

Figure 23. 0 to 30V Regulator

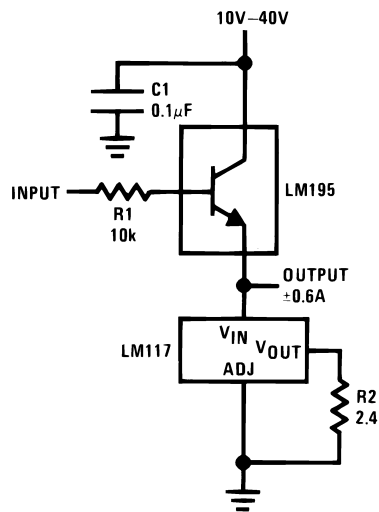
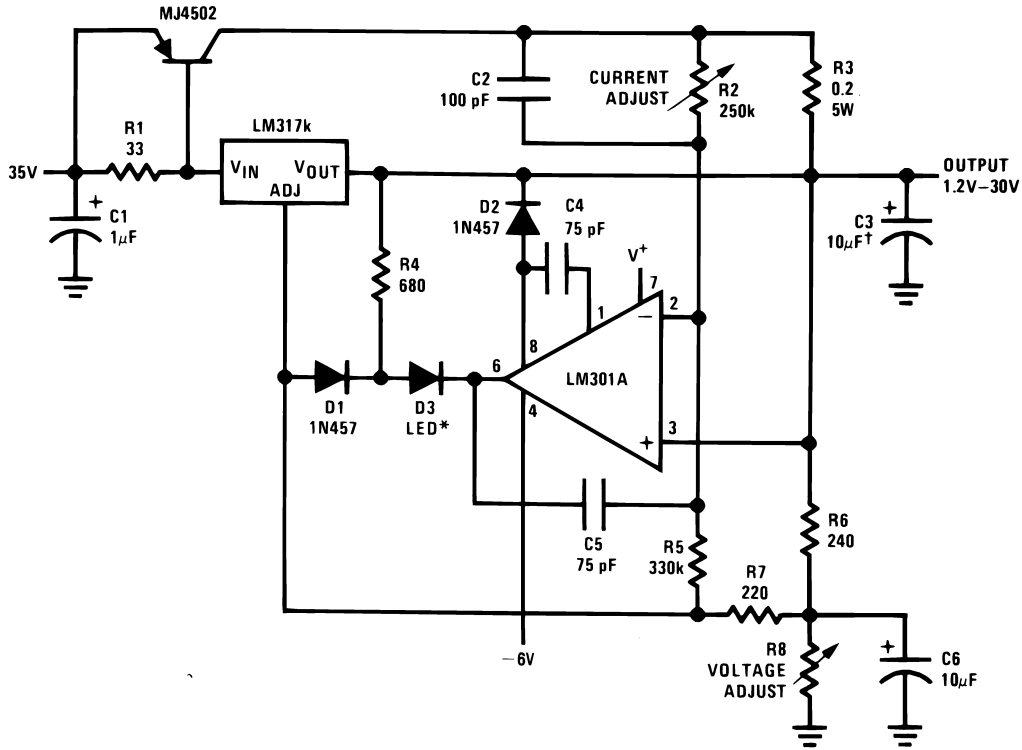


Figure 24. Power Follower



†Solid tantalum

*Lights in constant current mode

Figure 25. 5A Constant Voltage/Constant Current Regulator

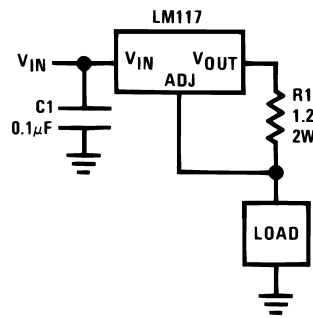
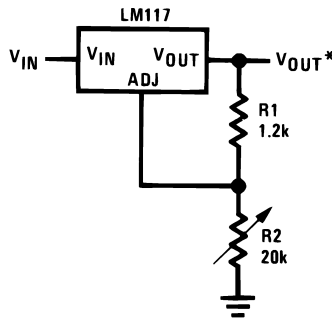


Figure 26. 1A Current Regulator



*Minimum load current \approx 4 mA

Figure 27. 1.2V–20V Regulator with Minimum Program Current

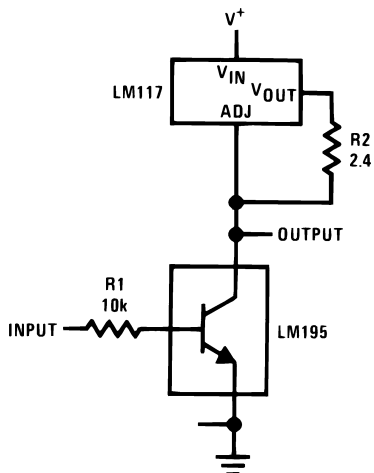
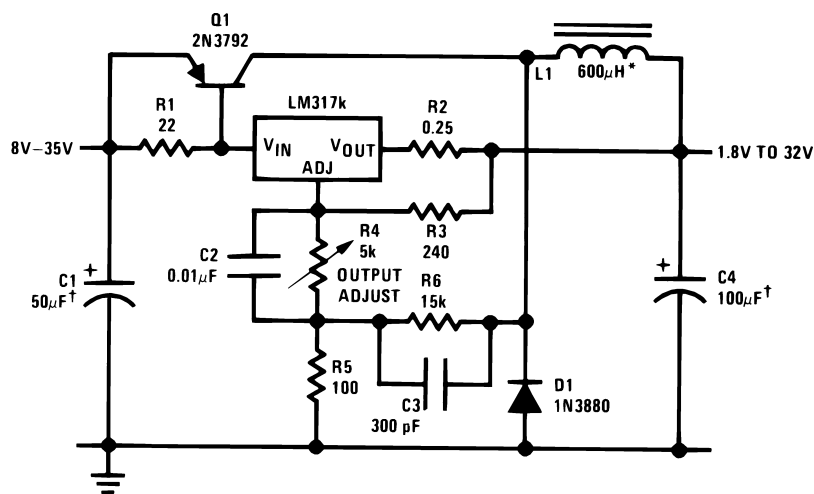


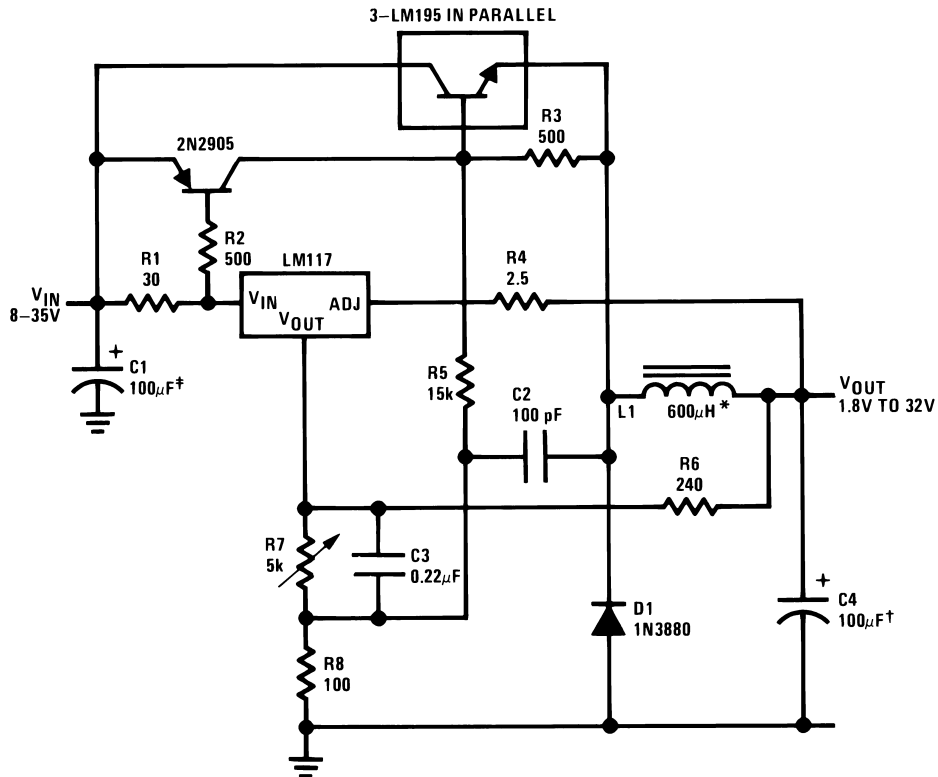
Figure 28. High Gain Amplifier



†Solid tantalum

*Core—Arnold A-254168-2 60 turns

Figure 29. Low Cost 3A Switching Regulator



†Solid tantalum

*Core—Arnold A-254168-2 60 turns

Figure 30. 4A Switching Regulator with Overload Protection

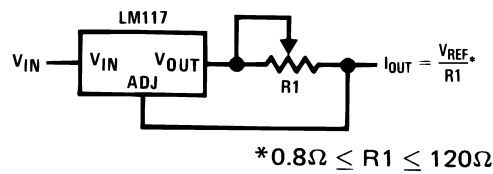


Figure 31. Precision Current Limiter

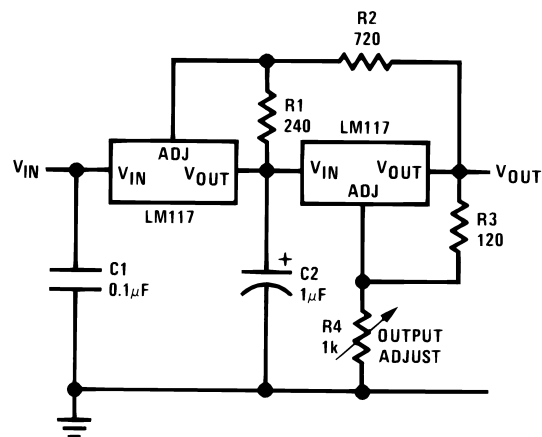
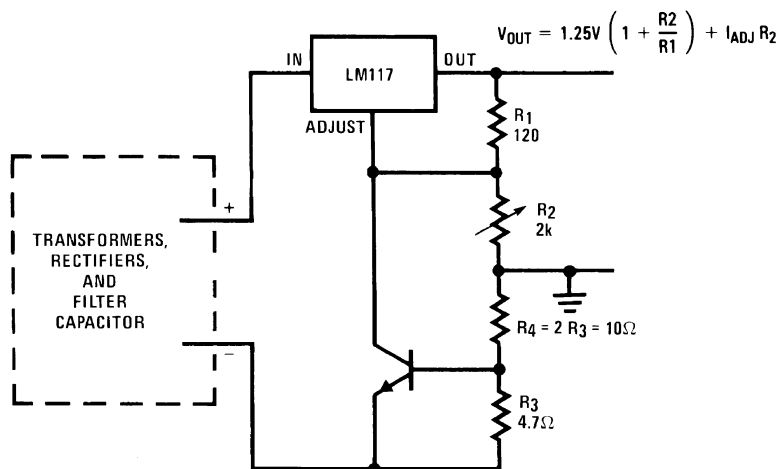


Figure 32. Tracking Preregulator

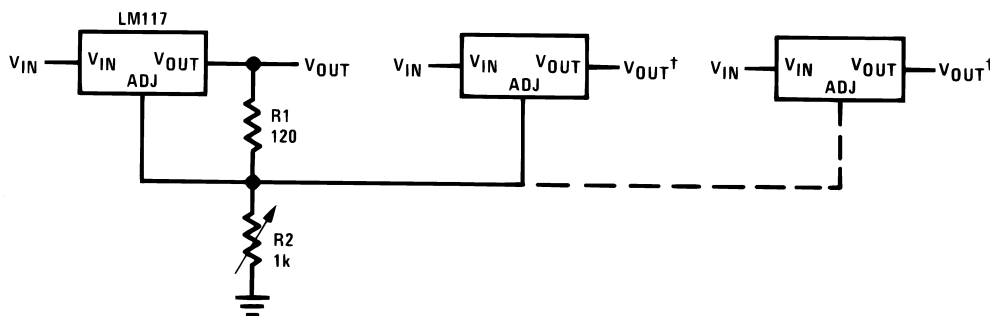


—Short circuit current is approximately $\frac{600 \text{ mV}}{R_3}$, or 120 mA

(Compared to LM117's higher current limit)

—At 50 mA output only $\frac{3}{4}$ volt of drop occurs in R_3 and R_4

Figure 33. Current Limited Voltage Regulator



*All outputs within $\pm 100 \text{ mV}$

†Minimum load—10 mA

Figure 34. Adjusting Multiple On-Card Regulators with Single Control*

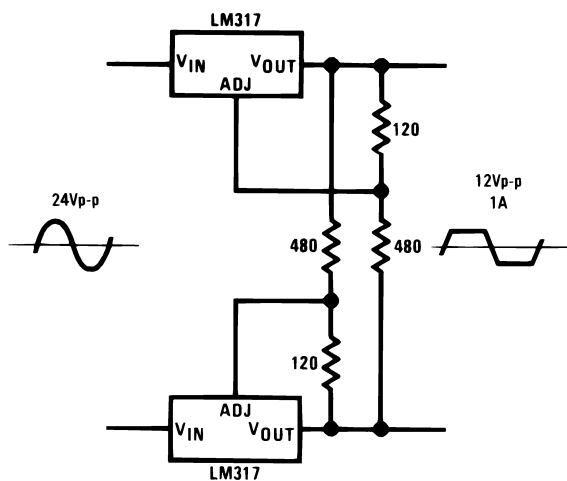
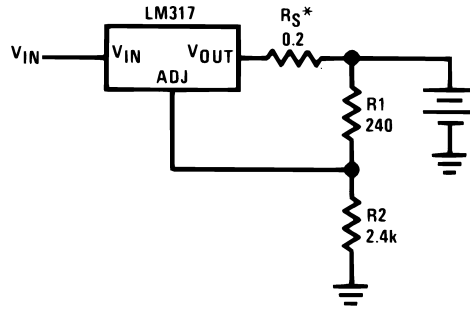


Figure 35. AC Voltage Regulator



* R_S —sets output impedance of charger: $Z_{OUT} = R_S \left(1 + \frac{R_2}{R_1} \right)$

Use of R_S allows low charging rates with fully charged battery.

Figure 36. 12V Battery Charger

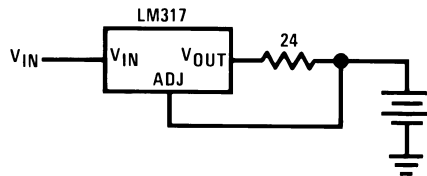


Figure 37. 50mA Constant Current Battery Charger

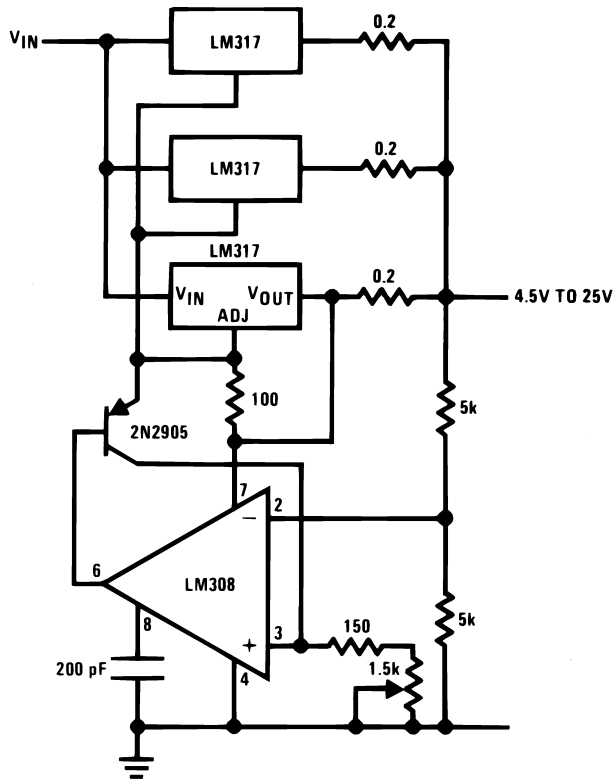
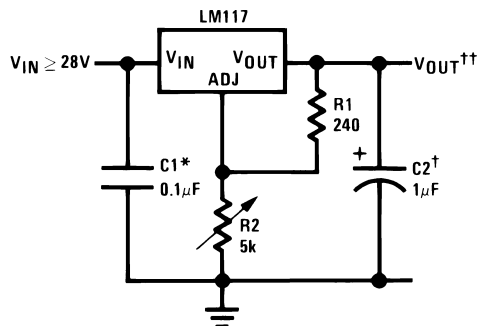


Figure 38. Adjustable 4A Regulator



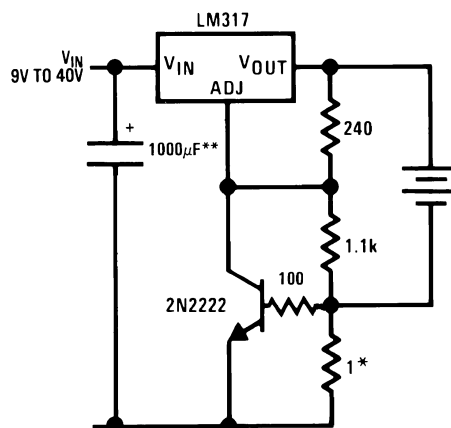
Full output current not available at high input-output voltages

*Needed if device is more than 6 inches from filter capacitors.

†Optional—improves transient response. Output capacitors in the range of 1μF to 1000μF of aluminum or tantalum electrolytic are commonly used to provide improved output impedance and rejection of transients.

$$\dagger\dagger V_{OUT} = 1.25V \left(1 + \frac{R_2}{R_1} \right) + I_{ADJ}(R_2)$$

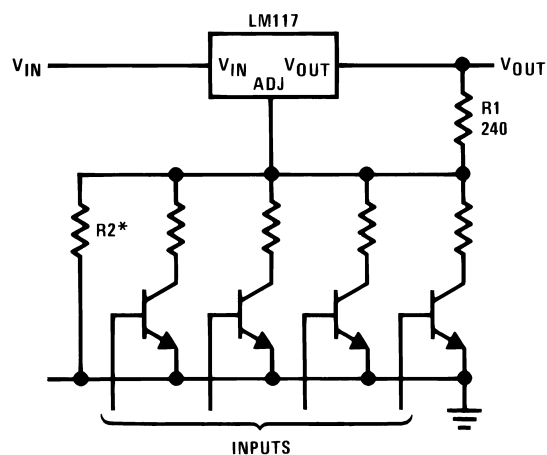
Figure 39. 1.2V–25V Adjustable Regulator



*Sets peak current (0.6A for 1Ω)

**The 1000μF is recommended to filter out input transients

Figure 40. Current Limited 6V Charger



*Sets maximum V_{OUT}

Figure 41. Digitally Selected Outputs

Revision History

Date Released	Revision	Section	Originator	Changes
03/14/06	A	New Release to corporate format	L. Lytle	2 MDS data sheets were consolidated into one corporate data sheet format. MJLM117–K Rev 0C1 and MJLM117–H Rev 1A1 will be archived.
03/20/2013	A	All Sections		Changed layout of National Data Sheet to TI format

PACKAGING INFORMATION

Orderable Device	Status (1)	Package Type	Package Drawing	Pins	Package Qty	Eco Plan (2)	Lead/Ball Finish	MSL Peak Temp (3)	Op Temp (°C)	Top-Side Markings (4)	Samples
JL117BXA	ACTIVE	TO	NDT	3	20	TBD	Call TI	Call TI	-55 to 125	JL117BXA JM38510/11703BXA Q ACO JM38510/11703BXA Q >T	Samples
JM38510/11703BXA	ACTIVE	TO	NDT	3	20	TBD	Call TI	Call TI	-55 to 125	JL117BXA JM38510/11703BXA Q ACO JM38510/11703BXA Q >T	Samples
M38510/11703BXA	ACTIVE	TO	NDT	3	20	TBD	Call TI	Call TI	-55 to 125	JL117BXA JM38510/11703BXA Q ACO JM38510/11703BXA Q >T	Samples

(1) The marketing status values are defined as follows:

ACTIVE: Product device recommended for new designs.

LIFEBUY: TI has announced that the device will be discontinued, and a lifetime-buy period is in effect.

NRND: Not recommended for new designs. Device is in production to support existing customers, but TI does not recommend using this part in a new design.

PREVIEW: Device has been announced but is not in production. Samples may or may not be available.

OBSELETE: TI has discontinued the production of the device.

(2) Eco Plan - The planned eco-friendly classification: Pb-Free (RoHS), Pb-Free (RoHS Exempt), or Green (RoHS & no Sb/Br) - please check <http://www.ti.com/productcontent> for the latest availability information and additional product content details.

TBD: The Pb-Free/Green conversion plan has not been defined.

Pb-Free (RoHS): TI's terms "Lead-Free" or "Pb-Free" mean semiconductor products that are compatible with the current RoHS requirements for all 6 substances, including the requirement that lead not exceed 0.1% by weight in homogeneous materials. Where designed to be soldered at high temperatures, TI Pb-Free products are suitable for use in specified lead-free processes.

Pb-Free (RoHS Exempt): This component has a RoHS exemption for either 1) lead-based flip-chip solder bumps used between the die and package, or 2) lead-based die adhesive used between the die and leadframe. The component is otherwise considered Pb-Free (RoHS compatible) as defined above.

Green (RoHS & no Sb/Br): TI defines "Green" to mean Pb-Free (RoHS compatible), and free of Bromine (Br) and Antimony (Sb) based flame retardants (Br or Sb do not exceed 0.1% by weight in homogeneous material)

(3) MSL, Peak Temp. -- The Moisture Sensitivity Level rating according to the JEDEC industry standard classifications, and peak solder temperature.

(4) Multiple Top-Side Markings will be inside parentheses. Only one Top-Side Marking contained in parentheses and separated by a "~" will appear on a device. If a line is indented then it is a continuation of the previous line and the two combined represent the entire Top-Side Marking for that device.

Important Information and Disclaimer: The information provided on this page represents TI's knowledge and belief as of the date that it is provided. TI bases its knowledge and belief on information provided by third parties, and makes no representation or warranty as to the accuracy of such information. Efforts are underway to better integrate information from third parties. TI has taken and continues to take reasonable steps to provide representative and accurate information but may not have conducted destructive testing or chemical analysis on incoming materials and chemicals. TI and TI suppliers consider certain information to be proprietary, and thus CAS numbers and other limited information may not be available for release.

In no event shall TI's liability arising out of such information exceed the total purchase price of the TI part(s) at issue in this document sold by TI to Customer on an annual basis.

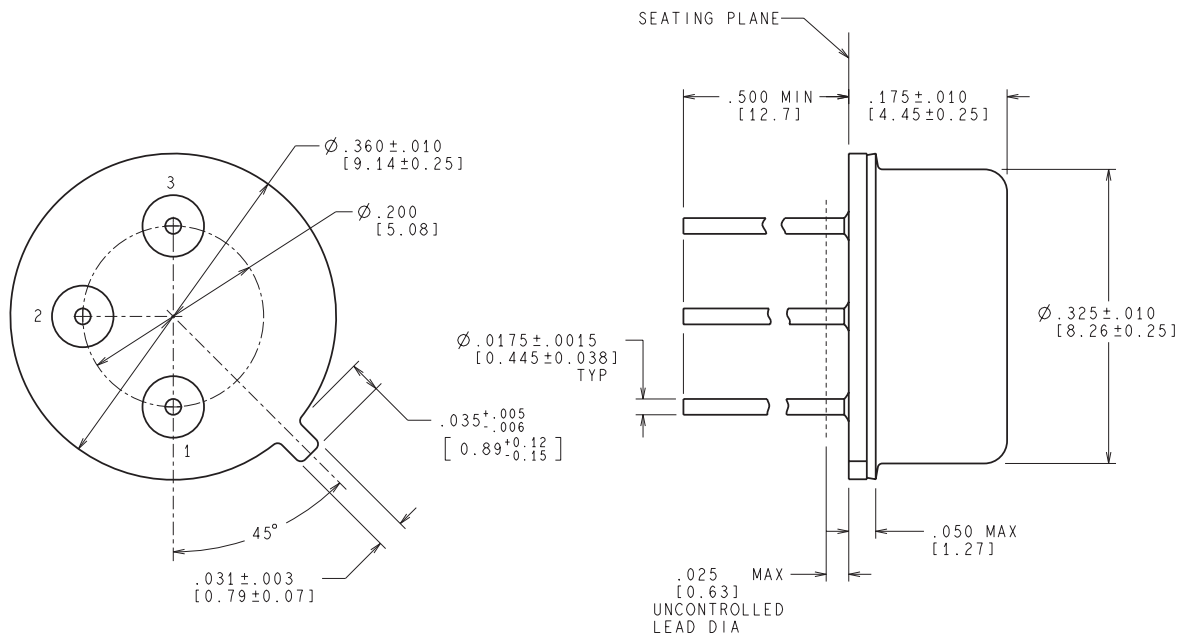
OTHER QUALIFIED VERSIONS OF LM117JAN, LM117JAN-SP :

- Military: [LM117JAN](#)
- Space: [LM117JAN-SP](#)

NOTE: Qualified Version Definitions:

- Military - QML certified for Military and Defense Applications
- Space - Radiation tolerant, ceramic packaging and qualified for use in Space-based application

NDT0003A



CONTROLLING DIMENSION IS INCH
VALUES IN [] ARE MILLIMETERS

MIL-PRF-38535
CONFIGURATION CONTROL

H03A (Rev D)

IMPORTANT NOTICE

Texas Instruments Incorporated and its subsidiaries (TI) reserve the right to make corrections, enhancements, improvements and other changes to its semiconductor products and services per JESD46, latest issue, and to discontinue any product or service per JESD48, latest issue. Buyers should obtain the latest relevant information before placing orders and should verify that such information is current and complete. All semiconductor products (also referred to herein as "components") are sold subject to TI's terms and conditions of sale supplied at the time of order acknowledgment.

TI warrants performance of its components to the specifications applicable at the time of sale, in accordance with the warranty in TI's terms and conditions of sale of semiconductor products. Testing and other quality control techniques are used to the extent TI deems necessary to support this warranty. Except where mandated by applicable law, testing of all parameters of each component is not necessarily performed.

TI assumes no liability for applications assistance or the design of Buyers' products. Buyers are responsible for their products and applications using TI components. To minimize the risks associated with Buyers' products and applications, Buyers should provide adequate design and operating safeguards.

TI does not warrant or represent that any license, either express or implied, is granted under any patent right, copyright, mask work right, or other intellectual property right relating to any combination, machine, or process in which TI components or services are used. Information published by TI regarding third-party products or services does not constitute a license to use such products or services or a warranty or endorsement thereof. Use of such information may require a license from a third party under the patents or other intellectual property of the third party, or a license from TI under the patents or other intellectual property of TI.

Reproduction of significant portions of TI information in TI data books or data sheets is permissible only if reproduction is without alteration and is accompanied by all associated warranties, conditions, limitations, and notices. TI is not responsible or liable for such altered documentation. Information of third parties may be subject to additional restrictions.

Resale of TI components or services with statements different from or beyond the parameters stated by TI for that component or service voids all express and any implied warranties for the associated TI component or service and is an unfair and deceptive business practice. TI is not responsible or liable for any such statements.

Buyer acknowledges and agrees that it is solely responsible for compliance with all legal, regulatory and safety-related requirements concerning its products, and any use of TI components in its applications, notwithstanding any applications-related information or support that may be provided by TI. Buyer represents and agrees that it has all the necessary expertise to create and implement safeguards which anticipate dangerous consequences of failures, monitor failures and their consequences, lessen the likelihood of failures that might cause harm and take appropriate remedial actions. Buyer will fully indemnify TI and its representatives against any damages arising out of the use of any TI components in safety-critical applications.

In some cases, TI components may be promoted specifically to facilitate safety-related applications. With such components, TI's goal is to help enable customers to design and create their own end-product solutions that meet applicable functional safety standards and requirements. Nonetheless, such components are subject to these terms.

No TI components are authorized for use in FDA Class III (or similar life-critical medical equipment) unless authorized officers of the parties have executed a special agreement specifically governing such use.

Only those TI components which TI has specifically designated as military grade or "enhanced plastic" are designed and intended for use in military/aerospace applications or environments. Buyer acknowledges and agrees that any military or aerospace use of TI components which have **not** been so designated is solely at the Buyer's risk, and that Buyer is solely responsible for compliance with all legal and regulatory requirements in connection with such use.

TI has specifically designated certain components as meeting ISO/TS16949 requirements, mainly for automotive use. In any case of use of non-designated products, TI will not be responsible for any failure to meet ISO/TS16949.

Products

Audio	www.ti.com/audio
Amplifiers	amplifier.ti.com
Data Converters	dataconverter.ti.com
DLP® Products	www.dlp.com
DSP	dsp.ti.com
Clocks and Timers	www.ti.com/clocks
Interface	interface.ti.com
Logic	logic.ti.com
Power Mgmt	power.ti.com
Microcontrollers	microcontroller.ti.com
RFID	www.ti-rfid.com
OMAP Applications Processors	www.ti.com/omap
Wireless Connectivity	www.ti.com/wirelessconnectivity

Applications

Automotive and Transportation	www.ti.com/automotive
Communications and Telecom	www.ti.com/communications
Computers and Peripherals	www.ti.com/computers
Consumer Electronics	www.ti.com/consumer-apps
Energy and Lighting	www.ti.com/energy
Industrial	www.ti.com/industrial
Medical	www.ti.com/medical
Security	www.ti.com/security
Space, Avionics and Defense	www.ti.com/space-avionics-defense
Video and Imaging	www.ti.com/video

TI E2E Community

e2e.ti.com