

LP5521 Programmable Three-Channel LED Driver

Check for Samples: [LP5521](#)

FEATURES

- **Adaptive Charge Pump with 1x and 1.5x Gain Provides Up to 95% LED Drive Efficiency**
- **Charge Pump with Soft Start and Overcurrent/Short Circuit Protection**
- **Low Input Ripple and EMI**
- **Very Small Solution Size, No Inductor or Resistors Required**
- **200 nA Typical Shutdown Current**
- **Automatic Power Save Mode**
- **I²C-Compatible Interface**
- **Independently Programmable Constant Current Outputs with 8-bit Current Setting and 8-bit PWM Control**
- **Typical LED Output Saturation Voltage 50 mV and Current Matching 1%**
- **Three Program Execution Engines with Flexible Instruction Set**
- **Autonomous Operation Without External Control**
- **Large SRAM Program Memory**
- **Two General Purpose Digital Outputs**
- **DSBGA-20 Package, 0.4 mm Pitch**
- **Bumped WQFN-24 Package, 0.5 mm Pitch**

APPLICATIONS

- **Fun / Indicator Lights**
- **LCD Sub-Display Backlighting**
- **Keypad RGB Backlighting and Phone Cosmetics**
- **Vibra, Speakers, Waveform Generator**

DESCRIPTION

The LP5521 is a three-channel LED driver designed to produce variety of lighting effects for mobile devices. High efficiency charge pump enables LED driving over full Li-Ion battery voltage range. The device has a program memory for creating variety of lighting sequences. When program memory has been loaded, LP5521 can operate independently without processor control.

LP5521 maintains excellent efficiency over a wide operating range by automatically selecting proper charge pump gain based on LED forward voltage requirements. LP5521 is able to automatically enter power-save mode, when LED outputs are not active and thus lowering current consumption.

Three independent LED channels have accurate programmable current sources and PWM control. Each channel has program memory for creating desired lighting sequences with PWM control.

LP5521 has a flexible digital interface. Trigger I/O and 32 kHz clock input allow synchronization between multiple devices. Interrupt output can be used to notify processor, when LED sequence has ended. LP5521 has four pin selectable I²C-compatible addresses. This allows connecting up to four parallel devices in one I²C-compatible bus. GPO and INT pins can be used as a digital control pin for other devices.

LP5521 requires only four small and low cost ceramic capacitors.

LP5521 is available in tiny 2.1x1.7x0.6 mm DSBGA-20 package and in 4.0 x 5.0 x 0.8 mm bumped WQFN-24 package.

Comprehensive application tools are available, including command compiler for easy LED sequence programming.



Please be aware that an important notice concerning availability, standard warranty, and use in critical applications of Texas Instruments semiconductor products and disclaimers thereto appears at the end of this data sheet.

All trademarks are the property of their respective owners.

TYPICAL APPLICATION

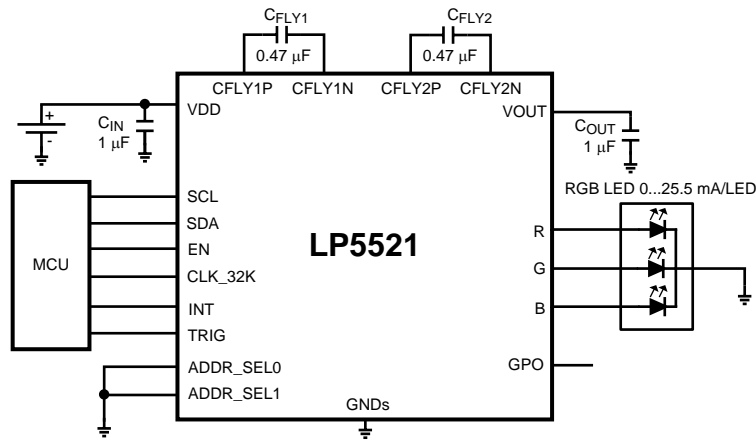


Figure 1. Typical Application Circuit

CONNECTION DIAGRAMS

Thin DSBGA-20 Package (2.1 x 1.7 x 0.6 mm, 0.4 mm pitch)

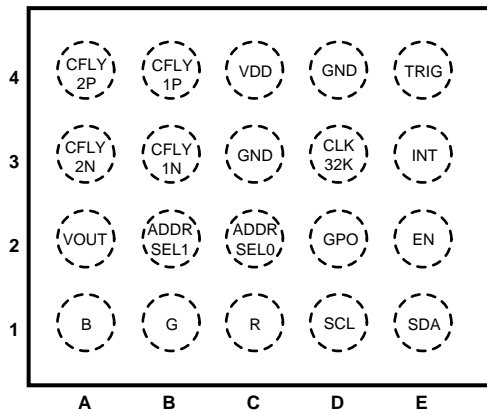


Figure 2. Top View

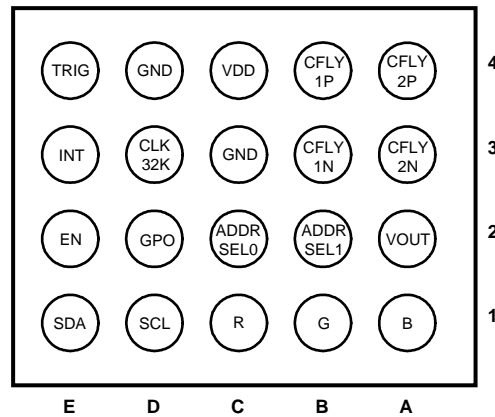


Figure 3. Bottom View

CONNECTION DIAGRAMS

Bumped WQFN-24 Package (5 x 4 x 0.8 mm, 0.5 mm pitch)

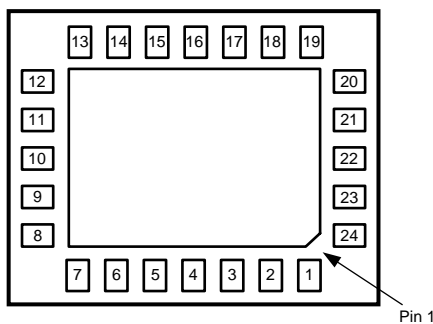


Figure 4. Bottom View

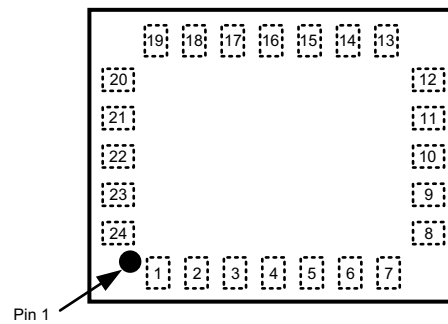


Figure 5. Top View

PIN DESCRIPTIONS LP5521TM

Pin #	Name	Type ⁽¹⁾	Description
1A	B	A	Current source output
1B	G	A	Current source output
1C	R	A	Current source output
1D	SCL	I	I ² C Serial interface clock input
1E	SDA	I/OD	I ² C Serial interface data input/output
2A	VOUT	A	Charge pump output
2B	ADDR_SEL1	I	I ² C address select input
2C	ADDR_SEL0	I	I ² C address select input
2D	GPO	O	General purpose output
2E	EN	I	Chip enable
3A	CFLY2N	A	Negative terminal of charge pump fly capacitor 2
3B	CFLY1N	A	Negative terminal of charge pump fly capacitor 1
3C	GND	G	Ground
3D	CLK_32K	I	32 kHz clock input
3E	INT	OD/O	Interrupt output / General Purpose Output
4A	CFLY2P	A	Positive terminal of charge pump fly capacitor 2
4B	CFLY1P	A	Positive terminal of charge pump fly capacitor 1
4C	VDD	P	Power supply pin
4D	GND	G	Ground
4E	TRIG	I/OD	Trigger input/output

(1) A: Analog Pin, G: Ground Pin, P: Power Pin, I: Input Pin, I/O: Input/Output Pin, O: Output Pin, OD: Open Drain Pin

PIN DESCRIPTIONS LP5521YQ

Pin #	Name	Type ⁽¹⁾	Description
1	CFLY2P	A	Positive terminal of charge pump fly capacitor 2
2	CFLY1P	A	Positive terminal of charge pump fly capacitor 1
3	VDD	P	Power supply pin
4	GND	G	Ground
5	CLK_32K	I	32 kHz clock input
6	INT	OD/O	Interrupt output / General purpose output
7	TRIG	I/OD	Trigger input/output
8		N/C	
9		N/C	
10		N/C	
11		N/C	
12		N/C	
13	SDA	I/OD	I ² C Serial interface data input/output
14	EN	I	Chip enable
15	SCL	I	I ² C Serial interface clock input
16	GPO	O	General purpose output
17	R	A	Current source output
18	G	A	Current source output
19	B	A	Current source output
20	ADDR_SEL0	I	I ² C address select input
21	ADDR_SEL1	I	I ² C address select input
22	VOUT	A	Charge pump output
23	CFLY2N	A	Negative terminal of charge pump fly capacitor 2

(1) A: Analog Pin, G: Ground Pin, P: Power Pin, I: Input Pin, I/O: Input/Output Pin, O: Output Pin, OD: Open Drain Pin

PIN DESCRIPTIONS LP5521YQ (continued)

Pin #	Name	Type ⁽¹⁾	Description
24	CFLY1N	A	Negative terminal of charge pump fly capacitor 1



These devices have limited built-in ESD protection. The leads should be shorted together or the device placed in conductive foam during storage or handling to prevent electrostatic damage to the MOS gates.

ABSOLUTE MAXIMUM RATINGS⁽¹⁾⁽²⁾⁽³⁾

$V(V_{DD}, V_{OUT}, R, G, B)$		-0.3V to +6.0V
Voltage on Logic Pins		-0.3V to $V_{DD} + 0.3V$ with 6.0V max
Continuous Power Dissipation ⁽⁴⁾		Internally Limited
Junction Temperature (T_{J-MAX})		125°C
Storage Temperature Range		-65°C to +150°C
Maximum Lead Temperature (Soldering)		⁽⁵⁾
ESD Rating ⁽⁶⁾	Human Body Model	2 kV
	Machine Model	200V

- Stresses beyond those listed under *absolute maximum ratings* may cause permanent damage to the device. These are stress ratings only, and functional operation of the device at these or any other conditions beyond those indicated under *recommended operating conditions* is not implied. Exposure to absolute-maximum-rated conditions for extended periods may affect device reliability.
- All voltages are with respect to the potential at the GND pins.
- If Military/Aerospace specified devices are required, please contact the Texas Instruments Sales Office/ Distributors for availability and specifications.
- Internal thermal shutdown circuitry protects the device from permanent damage. Thermal shutdown engages at $T_J = 150^\circ\text{C}$ (typ.) and disengages at $T_J = 130^\circ\text{C}$ (typ.).
- For detailed soldering specifications and information, please refer to Texas Instruments Application Note AN1112 : DSBGA Wafer Level Chip Scale Package or AN1187 : Leadless Leadframe Package (LLP).
- The Human body model is a 100 pF capacitor discharged through a 1.5 k Ω resistor into each pin. The machine model is a 200 pF capacitor discharged directly into each pin. MIL-STD-883 3015.7

OPERATING RATINGS⁽¹⁾⁽²⁾

V_{DD}	2.7 to 5.5V
Recommended Charge Pump Load Current I_{OUT}	0 to 100 mA
Junction Temperature (T_J) Range	-30°C to +125°C
Ambient Temperature (T_A) Range ⁽³⁾	-30°C to +85°C

- Stresses beyond those listed under *absolute maximum ratings* may cause permanent damage to the device. These are stress ratings only, and functional operation of the device at these or any other conditions beyond those indicated under *recommended operating conditions* is not implied. Exposure to absolute-maximum-rated conditions for extended periods may affect device reliability.
- All voltages are with respect to the potential at the GND pins.
- In applications where high power dissipation and/or poor package thermal resistance is present, the maximum ambient temperature may have to be derated. Maximum ambient temperature (T_{A-MAX}) is dependent on the maximum operating junction temperature ($T_{J-MAX-OP} = 125^\circ\text{C}$), the maximum power dissipation of the device in the application (P_{D-MAX}), and the junction-to ambient thermal resistance of the part/package in the application (θ_{JA}), as given by the following equation: $T_{A-MAX} = T_{J-MAX-OP} - (\theta_{JA} \times P_{D-MAX})$.

THERMAL PROPERTIES

Junction-to-Ambient Thermal Resistance (θ_{JA}), YFQ0020 Package ⁽¹⁾	50 - 90°C/W
Junction-to-Ambient Thermal Resistance (θ_{JA}), NJA0024A Package ⁽¹⁾	37 - 90°C/W

- Junction-to-ambient thermal resistance is highly application and board-layout dependent. In applications where high maximum power dissipation exists, special care must be paid to thermal dissipation issues in board design.

ELECTRICAL CHARACTERISTICS⁽¹⁾⁽²⁾

Limits in standard typeface are for $T_J = 25^\circ\text{C}$. Limits in **boldface** type apply over the operating ambient temperature range ($-30^\circ\text{C} < T_A < +85^\circ\text{C}$). Unless otherwise noted, specifications apply to the LP5521 Block Diagram with: $2.7\text{V} \leq V_{DD} \leq 5.5\text{V}$, $C_{OUT} = C_{IN} = 1 \mu\text{F}$, $C_{FLY1} = C_{FLY2} = 0.47 \mu\text{F}$.⁽³⁾

Symbol	Parameter	Condition	Min	Typ	Max	Units	
I_{VDD}	Standby supply current	EN = 0 (pin), CHIP_EN = 0 (bit), external 32 kHz clock running or not running		0.2	2	μA	
		EN = 1 (pin), CHIP_EN = 0 (bit), external 32 kHz clock not running		1.0		μA	
		EN = 1 (pin), CHIP_EN = 0 (bit), external 32 kHz clock running		1.4		μA	
	Normal mode supply current	Charge pump and LED drivers disabled			0.25		mA
		Charge pump in 1x mode, no load, LED drivers disabled			0.70		mA
		Charge pump in 1.5x mode, no load, LED drivers disabled			1.5		mA
		Charge pump in 1x mode, no load, LED drivers enabled			1.2		mA
Powersave mode supply current	External 32 kHz clock running			10		μA	
	Internal oscillator running			0.25		mA	
f_{OSC}	Internal oscillator frequency accuracy		-4 -7		4 7	%	

- (1) All voltages are with respect to the potential at the GND pins.
- (2) Min and Max limits are specified by design, test, or statistical analysis.
- (3) Low-ESR Surface-Mount Ceramic Capacitors (MLCCs) used in setting electrical characteristics.

CHARGE PUMP ELECTRICAL CHARACTERISTICS⁽¹⁾

Symbol	Parameter	Condition	Min	Typ	Max	Units
R_{OUT}	Charge pump output resistance	Gain = 1.5x		3.5		Ω
		Gain = 1x		1		Ω
f_{SW}	Switching frequency		-7	1.25	7	MHz %
I_{GND}	Ground current	Gain = 1.5x		1.2		mA
		Gain = 1x		0.5		mA
t_{ON}	V_{OUT} turn-on time from charge pump off to 1.5x mode	$V_{DD} = 3.6\text{V}$, CHIP_EN = H $I_{OUT} = 60 \text{ mA}$		100		μs
V_{OUT}	Charge pump output voltage	$V_{DD} = 3.6\text{V}$, no load, Gain = 1.5x		4.55		V

- (1) Input, output, and fly capacitors should be of the type X5R or X7R low ESR ceramic capacitor.

LED DRIVER ELECTRICAL CHARACTERISTICS (R, G, B OUTPUTS)

Symbol	Parameter	Condition	Min	Typ	Max	Units
$I_{LEAKAGE}$	R, G, B pin leakage current			0.1	1	μA
I_{MAX}	Maximum Source Current	Outputs R, G, B		25.5		mA
I_{OUT}	Accuracy of output current	Output current set to 17.5 mA, $V_{DD} = 3.6\text{V}$	-4 -5		4 5	%
I_{MATCH}	Matching ⁽¹⁾	$I_{OUT} = 17.5 \text{ mA}$, $V_{DD} = 3.6\text{V}$		1	2	%
f_{LED}	LED PWM switching frequency	PWM_HF = 1 Frequency defined by internal oscillator		558		Hz
		PWM_HF = 0 Frequency defined by 32 kHz clock (internal or external)		256		Hz
V_{SAT}	Saturation voltage ⁽²⁾	I_{OUT} set to 17.5 mA		50	100	mV

- (1) Matching is the maximum difference from the average of the three output's currents.
- (2) Saturation voltage is defined as the voltage when the LED current has dropped 10% from the value measured at $V_{OUT} - 1\text{V}$.

LOGIC INTERFACE CHARACTERISTICS

(V(EN) = 1.65V...V_{DD} unless otherwise noted)

Symbol	Parameter	Conditions	Min	Typ	Max	Units
LOGIC INPUT EN						
V _{IL}	Input Low Level				0.5	V
V _{IH}	Input High Level		1.2			V
I _I	Logic Input Current		-1.0		1.0	μA
t _{DELAY}	Input delay ⁽¹⁾			2		μs
LOGIC INPUT SCL, SDA, TRIG, CLK_32K						
V _{IL}	Input Low Level				0.2xV(EN)	V
V _{IH}	Input High Level		0.8xV(EN)			V
I _I	Input Current		-1.0		1.0	μA
f _{CLK_32K}	Clock frequency			32		kHz
f _{SCL}	Clock frequency				400	kHz
LOGIC OUTPUT SDA, TRIG, INT						
V _{OL}	Output Low Level	I _{OUT} = 3 mA (pull-up current)		0.3	0.5	V
I _L	Output Leakage Current				1.0	μA
LOGIC INPUT ADDR_SEL0, ADDR_SEL1						
V _{IL}	Input Low Level				0.2xV_{DD}	V
V _{IH}	Input High Level		0.8xV_{DD}			V
I _I	Input Current		-1.0		1.0	μA
LOGIC OUTPUT GPO, INT (in GPO state)						
V _{OL}	Output Low Level	I _{OUT} = 3 mA		0.3	0.5	V
V _{OH}	Output High Level	I _{OUT} = -2 mA	V_{DD} - 0.5	V _{DD} - 0.3		V
I _L	Output leakage current				1.0	μA

(1) The I²C-compatible host should allow at least 1 ms before sending data to the LP5521 after the rising edge of the enable line.

I²C TIMING PARAMETERS (SDA, SCL)⁽¹⁾

Symbol	Parameter	Limit		Units
		Min	Max	
f _{SCL}	Clock Frequency		400	kHz
1	Hold Time (repeated) START Condition	0.6		μs
2	Clock Low Time	1.3		μs
3	Clock High Time	600		ns
4	Setup Time for a Repeated START Condition	600		ns
5	Data Hold Time	50		ns
6	Data Setup Time	100		ns
7	Rise Time of SDA and SCL	20+0.1C _b	300	ns
8	Fall Time of SDA and SCL	15+0.1C _b	300	ns
9	Set-up Time for STOP condition	600		ns
10	Bus Free Time between a STOP and a START Condition	1.3		μs
C _b	Capacitive Load for Each Bus Line	10	200	pF

(1) Verified by design.

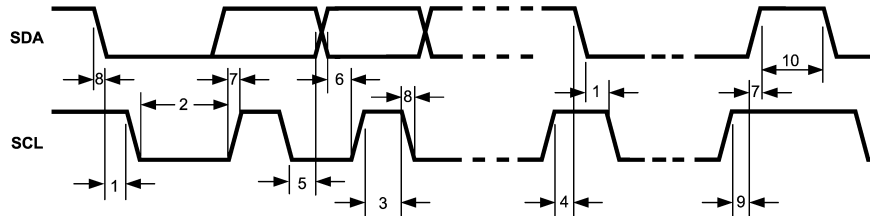


Figure 6. I2C Timing Diagram

TYPICAL PERFORMANCE CHARACTERISTICS

Unless otherwise specified: $V_{DD} = 3.6V$

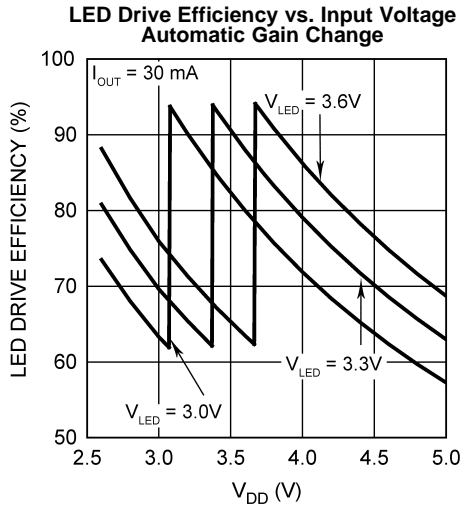


Figure 7.

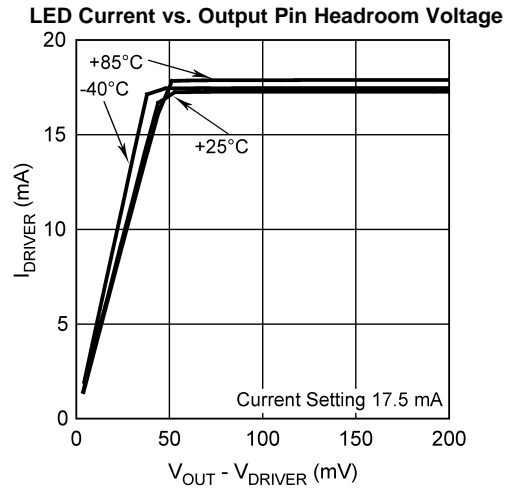


Figure 8.

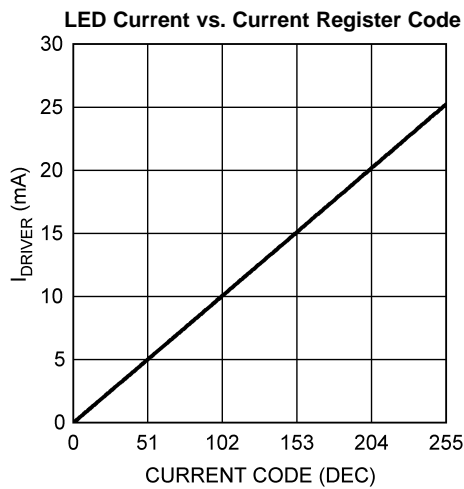


Figure 9.

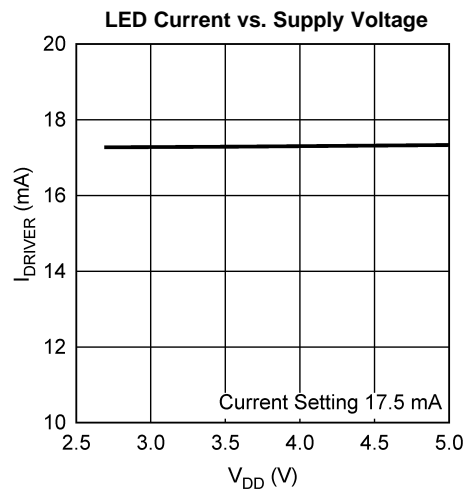


Figure 10.

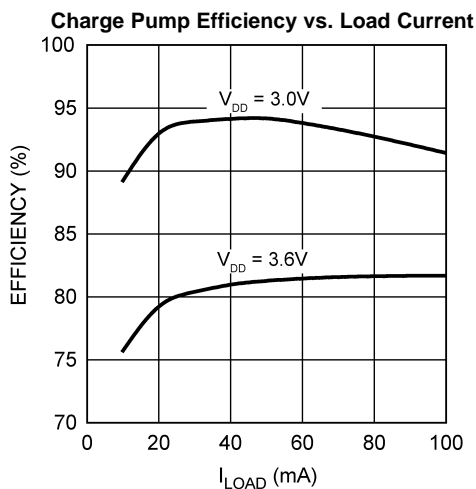


Figure 11.

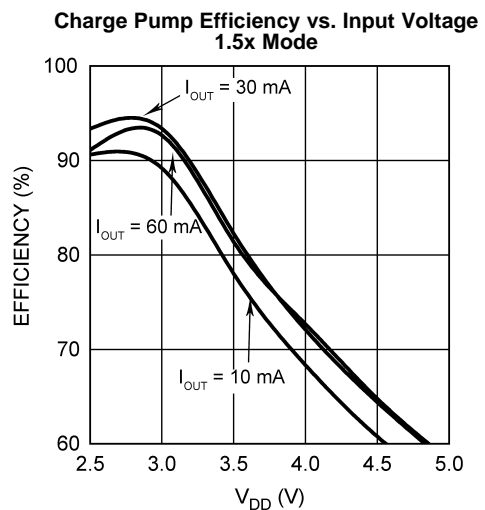


Figure 12.

TYPICAL PERFORMANCE CHARACTERISTICS (continued)

Unless otherwise specified: $V_{DD} = 3.6V$

Charge Pump Output Voltage vs. Load Current

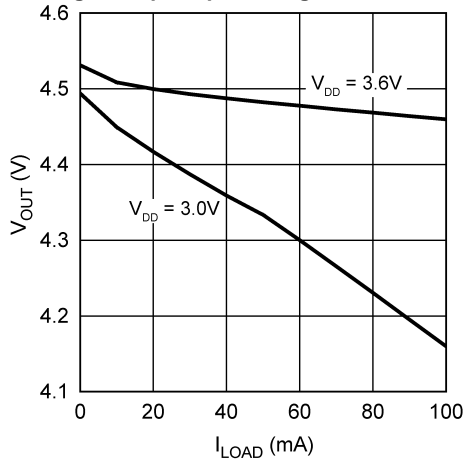


Figure 13.

Charge Pump Output Voltage vs. Input Voltage Automatic Gain Change from 1x to 1.5x

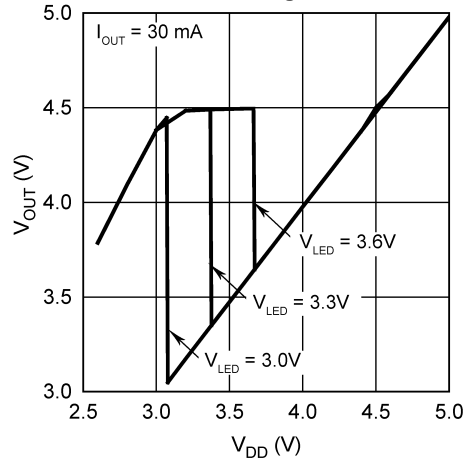


Figure 14.

Charge Pump Automatic Gain Change Hysteresis

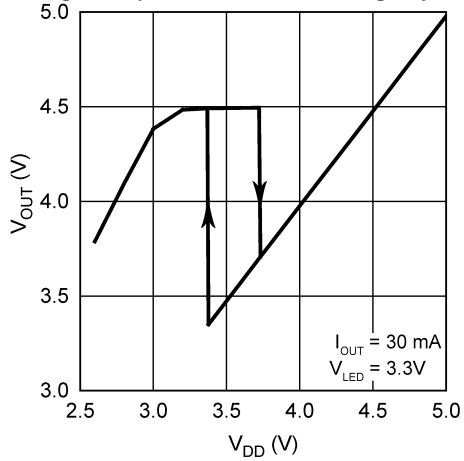


Figure 15.

Charge Pump Startup in 1.5x Mode No Load

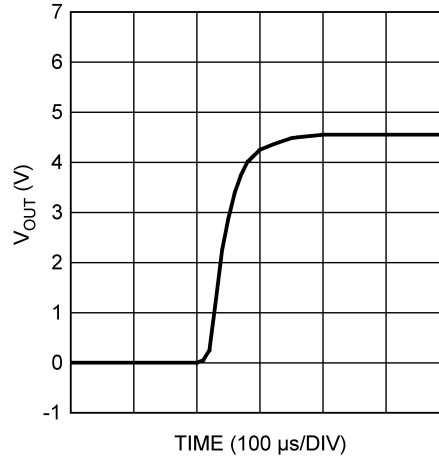


Figure 16.

Charge Pump Load Transient Response in 1.5x Mode (0 to 25.5 mA)

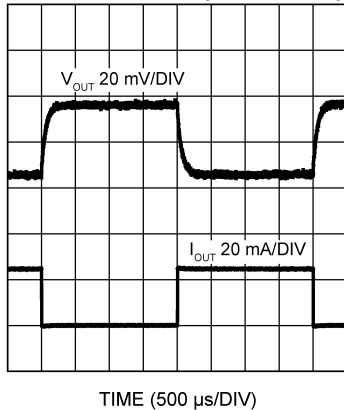


Figure 17.

Charge Pump Line Transient Response 1.5x Mode (V_IN 3.5V to 4.0V)

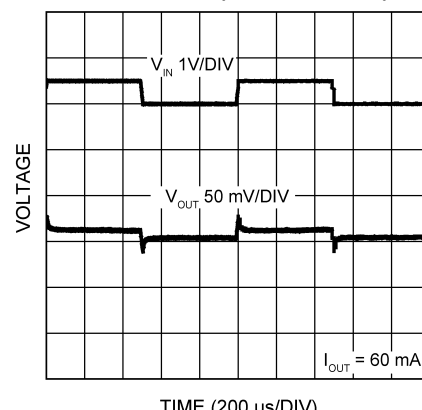


Figure 18.

TYPICAL PERFORMANCE CHARACTERISTICS (continued)

Unless otherwise specified: $V_{DD} = 3.6V$

Charge Pump Automatic Gain Change (LED $V_F = 3.6V$)

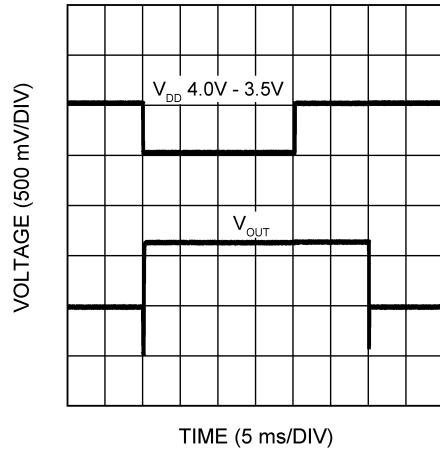


Figure 19.

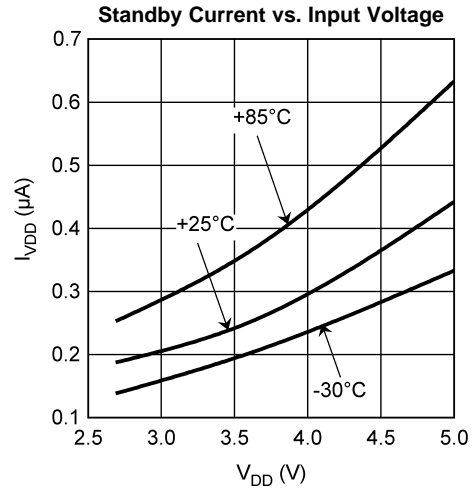


Figure 20.

BLOCK DIAGRAM

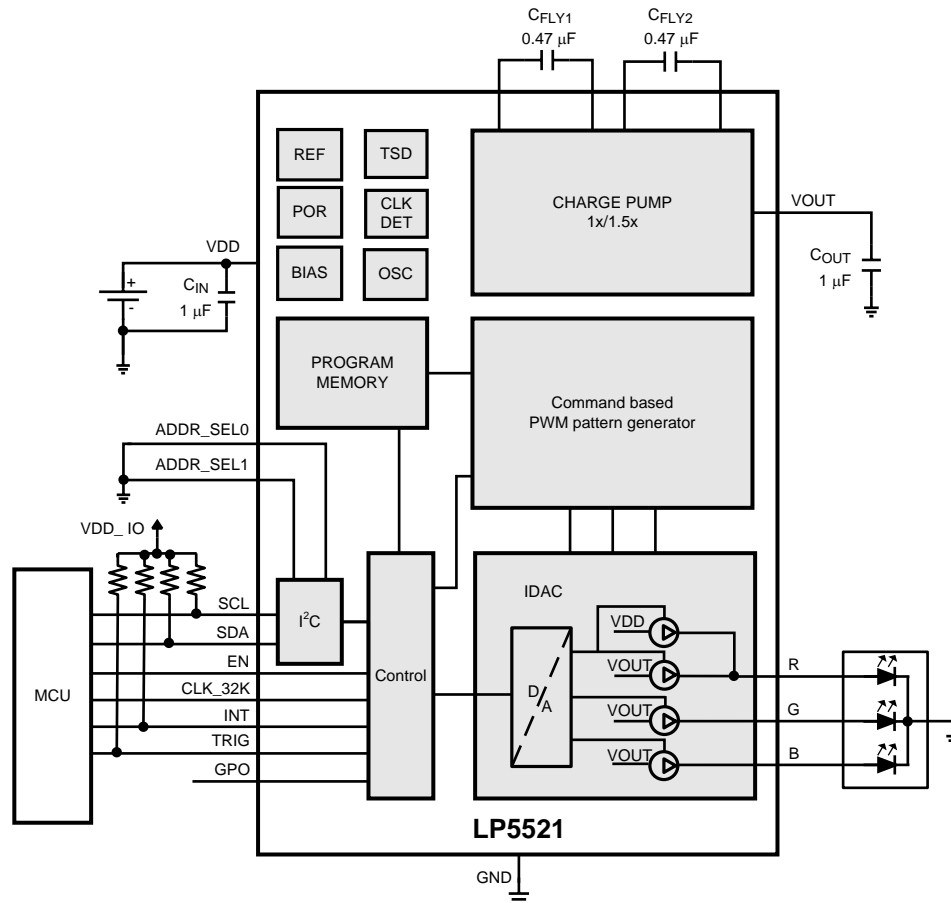


Figure 21. Block Diagram

MODES OF OPERATION

RESET: In the RESET mode all the internal registers are reset to the default values. Reset is done always if Reset Register (0DH) is written FFH or internal Power On Reset is activated. Power On Reset (POR) will activate when supply voltage is connected or when the supply voltage V_{DD} falls below 1.5V typ (0.8V min). Once V_{DD} rises above 1.5V, POR will inactivate and the chip will continue to the STANDBY mode. CHIP_EN control bit is low after POR by default.

STANDBY: The STANDBY mode is entered if the register bit CHIP_EN or EN pin is LOW and Reset is not active. This is the low power consumption mode, when all circuit functions are disabled. Registers can be written in this mode if EN pin is high. Control bits are effective after start up.

STARTUP: When CHIP_EN bit is written high and EN pin is high, the INTERNAL STARTUP SEQUENCE powers up all the needed internal blocks (V_{REF} , Bias, Oscillator etc.). Startup delay is after setting EN pin high is 1 ms (typ.). Startup delay after setting CHIP_EN to '1' is 500 μ s (typ.). If the chip temperature rises too high, the Thermal Shutdown (TSD) disables the chip operation and the chip state is in STARTUP mode, until no thermal shutdown event is present.⁽¹⁾

NORMAL: During NORMAL mode the user controls the chip using the Control Registers. If EN pin is set low, the CHIP_EN bit is reset to 0.

(1) Internal thermal shutdown circuitry protects the device from permanent damage. Thermal shutdown engages at $T_J = 150^\circ\text{C}$ (typ.) and disengages at $T_J = 130^\circ\text{C}$ (typ.).

POWER SAVE: In POWER SAVE mode analog blocks are disabled to minimize power consumption. See [POWER SAVE MODE](#) for further information.

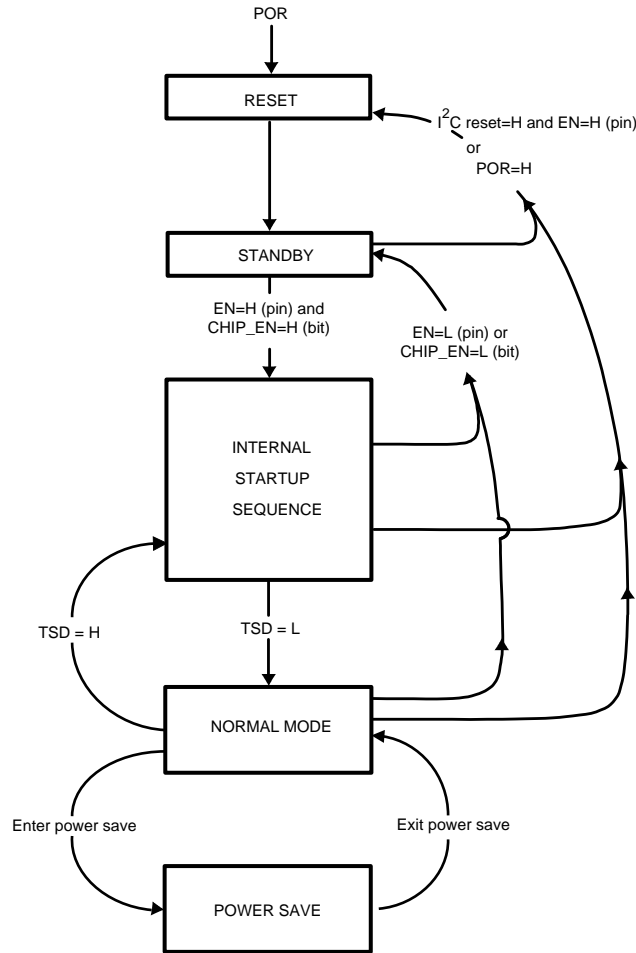


Figure 22.

FUNCTIONAL DESCRIPTION

CHARGE PUMP OPERATIONAL DESCRIPTION

OVERVIEW

The LP5521 includes a pre-regulated switched-capacitor charge pump with a programmable voltage multiplication of 1 and 1.5x.

On 1.5x mode by combining the principles of a switched-capacitor charge pump and a linear regulator, it generates a regulated 4.5V output from Li-Ion input voltage range. A two-phase non-overlapping clock generated internally controls the operation of the charge pump. During the charge phase, both flying capacitors (C_{FLY1} and C_{FLY2}) are charged from input voltage. In the pump phase that follows, the flying capacitors are discharged to output. A traditional switched capacitor charge pump operating in this manner will use switches with very low on-resistance, ideally 0Ω , to generate an output voltage that is 1.5x the input voltage. The LP5521 regulates the output voltage by controlling the resistance of the input-connected pass-transistor switches in the charge pump.

OUTPUT RESISTANCE

At lower input voltages, the charge pump output voltage may degrade due to effective output resistance (R_{OUT}) of the charge pump. The expected voltage drop can be calculated by using a simple model for the charge pump illustrated in following figure.

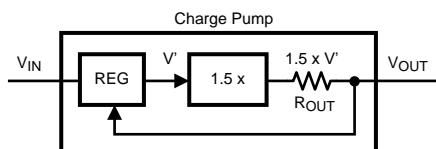


Figure 23.

The model shows a linear pre-regulation block (REG), a voltage multiplier (1.5x), and an output resistance (R_{OUT}). Output resistance models the output voltage drop that is inherent to switched capacitor converters. The output resistance is 3.5Ω (typ), and is function of switching frequency, input voltage, flying capacitors' capacitance value, internal resistances of switches and ESR of flying capacitors. When the output voltage is in regulation, the regulator in the model controls the voltage V' to keep the output voltage equal to 4.5V (typ). With increased output current, the voltage drop across R_{OUT} increases. To prevent drop in output voltage, the voltage drop across the regulator is reduced, V' increases, and V_{OUT} remains at 4.5V. When the output current increases to the point that there is zero voltage drop across the regulator, V' equals the input voltage, and the output voltage is "on the edge" of regulation. Additional output current causes the output voltage to fall out of regulation, so that the operation is similar to a basic open-loop 1.5x charge pump. In this mode, output current results in output voltage drop proportional to the output resistance of the charge pump. The out-of-regulation output voltage can be approximated by: $V_{OUT} = 1.5 \times V_{IN} - I_{OUT} \times R_{OUT}$.

CONTROLLING CHARGE PUMP

Charge pump is controlled with two CP_MODE bits in register 08H. When both bits are low, charge pump is disabled and output voltage is pulled down with 300 k Ω . Charge pump can be forced to bypass mode, so battery voltage is going directly to RGB outputs. In 1.5x mode output voltage is boosted to 4.5V. In automatic mode, charge pump operation mode is defined by LED outputs saturation like described in LED Forward Voltage Monitoring. In following table are listed operation modes and selection bits.

Table 1. CONFIG register (08H):

Name	Bit	Description
CP_MODE	4:3	Charge Pump Operation Mode 00b = OFF 01b = Forced to bypass mode (1x) 10b = Forced to 1.5x mode 11b = Automatic mode selection

LED FORWARD VOLTAGE MONITORING

When charge pump automatic mode selection is enabled, voltages over LED drivers are monitored. If drivers do not have enough headroom, charge pump gain is set to 1.5x. Driver saturation monitor does not have a fixed voltage limit, since saturation voltage is a function of temperature and current. Charge pump gain is set to 1x, when battery voltage is high enough to supply all LEDs.

In automatic gain change mode, charge pump is switched to bypass mode (1x), when LEDs are inactive for over 50 ms.

Charge pump gain control utilizes digital filtering to prevent supply voltage disturbances from triggering gain changes. If R driver current source is connected to battery (address 08H, bit R_TO_BATT = 1) voltage monitoring is disabled in R output, but still functional in B and G output.

LED forward voltage monitoring and gain control block diagram is shown below.

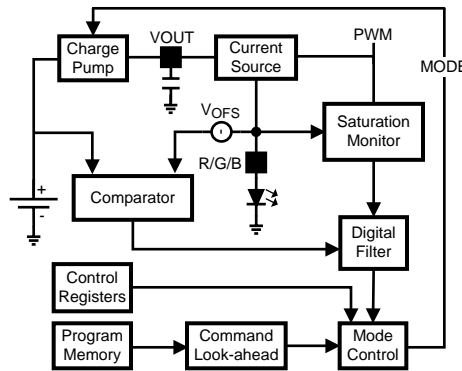


Figure 24. Voltage monitoring block diagram for one output

LED DRIVER OPERATIONAL DESCRIPTION

The LP5521 LED drivers are constant current sources with 8-bit PWM control. Output current can be programmed with I²C register up to 25.5 mA. Current setting resolution is 100 μA (8-bit control).

R driver has two modes: current source can be connected to battery (V_{DD}) or to charge pump output. If current source is connected to battery, automatic charge pump gain control is not used for this output. This approach provides better efficiency when LED with low V_F is connected to R driver, and battery voltage is high enough to drive this LED in all conditions. R driver mode can be selected with I²C register bit. When address 08H, bit R_TO_BATT = 1, R current source is connected to battery. When it is 0 (default), R current source is connected to charge pump same way as in G and B drivers. G and B drivers are always connected to charge pump output.

Some LED configuration examples are given in table below. When LEDs with low V_F are used, charge pump can be operating in bypass mode (1x). This eliminates the need of having double drivers for all outputs; one connected to battery and another connected to charge pump output. When LP5521 is driving a RGB LED, R channel can be configured to use battery power. This configuration increases power efficiency by minimizing the voltage drop across the LED driver.

Table 2. LED configuration examples

Configuration	R output to BATT	R output to CP	CP Mode
RGB LED with low V _F red	X		Auto (1x or 1.5x)
3 x low V _F LED		X	1x
3 x white LED		X	Auto (1x or 1.5x)
1 x low V _F LED (R output)	X		Disabled

PWM frequency is either 256 Hz or 558 Hz, frequency is set with PWM_HF bit in register 08H. When PWM_HF is 0, then the frequency is 256 Hz, and when bit is 1 then the PWM frequency is 558 Hz. Brightness adjustment is either linear or logarithmic. This can be set with register 00H LOG_EN bit. When LOG_EN = 0 linear adjustment scale is used, and when LOG_EN = 1 logarithmic scale is used. By using logarithmic scale the visual effect seems linear to the eye. Register control bits are presented in following tables:

Table 3. R_CURRENT register (05H), G_CURRENT register (06H), B_CURRENT register (07H):

Name	Bit	Description			
CURRENT	7:0	Current setting			
		bin	hex	dec	mA
		0000 0000	00	0	0.0
		0000 0001	01	1	0.1
		0000 0010	02	2	0.2
		0000 0011	03	3	0.3
		0000 0100	04	4	0.4
		0000 0101	05	5	0.5
		0000 0110	06	6	0.6
	
		1010 1111	AF	175	17.5 (def)
	
		1111 1011	FB	251	25.1
		1111 1100	FC	252	25.2
1111 1101	FD	253	25.3		
1111 1110	FE	254	25.4		
1111 1111	FF	255	25.5		

Table 4. ENABLE register (00H):

Name	Bit	Description
LOG_EN	7	Logarithmic PWM adjustment enable bit 0 = Linear adjustment 1 = Logarithmic adjustment

Table 5. CONFIG register (08H):

Name	Bit	Description
PWM_HF	6	PWM clock frequency 0 = 256 Hz, frequency defined by 32 kHz clock (internal or external) 1 = 558 Hz, frequency defined by internal oscillator

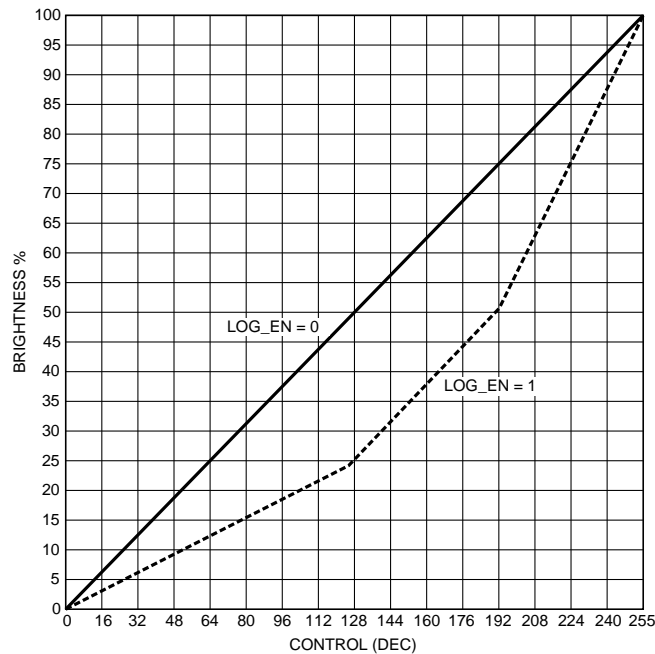


Figure 25. Logarithmic and Linear PWM Adjustment Curves

LED CONTROLLER OPERATION MODES

Operation modes are defined in register address 01H. Each output channel (R, G, B) operation mode can be configured separately. MODE registers are synchronized to 32 kHz clock. Delay between consecutive I²C writes to OP_MODE register (01H) need to be longer than 153 μ s (typ).

Table 6. OP_MODE register (01H):

Name	Bit	Description
R_MODE	5:4	R channel operation mode 00b = Disabled, reset R channel PC 01b = Load program to SRAM, reset R channel PC 10b = Run program defined by R_EXEC 11b = Direct control, reset R channel PC
G_MODE	3:2	G channel operation mode 00b = Disabled, reset G channel PC 01b = Load program to SRAM, reset G channel PC 10b = Run program defined by G_EXEC 11b = Direct control, reset G channel PC
B_MODE	1:0	B channel operation mode 00b = Disabled, reset B channel PC 01b = Load program to SRAM, reset B channel PC 10b = Run program defined by B_EXEC 11b = Direct control, reset B channel PC

DISABLED

Each channel can be configured to disabled mode. LED output current will be 0 during this mode. Disabled mode resets respective channel's PC.

LOAD Program

LP5521 can store 16 commands for each channel (R, G, B). Each command consists of 16 bits. Because one register has only 8 bits, one command requires two I²C register addresses. In order to reduce program load time LP5521 supports address auto incrementation. Register address is incremented after each 8 data bits. Whole program memory can be written in one I²C write sequence.

Program memory is defined in the LP5521 register table, 10H to 2FH for R channel, 30H to 4FH for G channel and 50H to 6FH for B channel. In order to be able to access program memory at least one channel operation mode needs to be LOAD Program.

Memory writes are allowed only to the channel in LOAD mode. All channels are in hold while one or several channels are in LOAD program mode, and PWM values are frozen for the channels which are not in LOAD mode. Program execution continues when all channels are out of LOAD program mode. LOAD Program mode resets respective channel's PC.

RUN PROGRAM

RUN Program mode executes the commands defined in program memory for respective channel (R, G, B). Execution register bits in ENABLE register define how program is executed. Program start position can be programmed to Program Counter register (see the following tables). By manually selecting the PC start value, user can write different lighting sequences to the memory, and select appropriate sequence with the PC register. If program counter runs to end (15) the next command will be executed from program location 0.

If internal clock is used in the RUN program mode, operation mode needs to be written disabled (00b) before disabling the chip (with CHIP_EN bit or EN pin) to ensure that the sequence starts from the correct program counter (PC) value when restarting the sequence.

PC registers are synchronized to 32 kHz clock. Delay between consecutive I²C writes to PC registers (09H, 0AH, 0BH) need to be longer than 153 μ s (typ.).

Note that entering LOAD program or Direct Control Mode from RUN PROGRAM mode is not allowed. Engine execution mode should be set to Hold, and Operation Mode to disabled, when changing operation mode from RUN mode.

Table 7. R Channel PC register (09H), G CHANNEL PC register (0AH), B CHANNEL PC register (0BH)

Name	Bit	Description
PC	3:0	Program counter value from 0 to 15d

Table 8. ENABLE register (00H)

Name	Bit	Description
R_EXEC	5:4	R channel program execution 00b = Hold: Wait until current command is finished then stop while EXEC mode is hold. PC can be read or written only in this mode. 01b = Step: Execute instruction defined by current R channel PC value, increment PC and change R_EXEC to 00b (Hold) 10b = Run: Start at program counter value defined by current R channel PC value 11b = Execute instruction defined by current R channel PC value and change R_EXEC to 00b (Hold)
G_EXEC	3:2	G channel program execution 00b = Hold: Wait until current command is finished then stop while EXEC mode is hold. PC can be read or written only in this mode. 01b = Step: Execute instruction defined by current G channel PC value, increment PC and change G_EXEC to 00b (Hold) 10b = Run: Start at program counter value defined by current G channel PC value 11b = Execute instruction defined by current G channel PC value and change G_EXEC to 00b (Hold)
B_EXEC	1:0	B channel program execution 00b = Hold: Wait until current command is finished then stop while EXEC mode is hold. PC can be read or written only in this mode. 01b = Step: Execute instruction defined by current B channel PC value, increment PC and change B_EXEC to 00b (Hold) 10b = Run: Start at program counter value defined by current B channel PC value 11b = Execute instruction defined by current B channel PC value and change B_EXEC to 00b (Hold)

EXEC registers are synchronized to 32 kHz clock. Delay between consecutive I²C writes to ENABLE register (00H) need to be longer than 488 μs (typ.).

DIRECT Control

When R, G or B channel mode is set to 11b, the LP5521 drivers work in direct control mode. LP5521 LED channels can be controlled independently through I²C. For each channel there is a PWM control register and an output current control register. With output current control register is set what is the maximum output current with 8-bit resolution, step size is 100 μA. Duty cycle can be set with 8-bit resolution. Direct control mode resets respective channel's PC. PWM control bits are presented in following table:

Table 9. R_PWM register (02H), G_PWM register (03H), B_PWM register (04H):

Name	Bit	Description
PWM	7:0	LED PWM value during direct control operation mode 0000 0000b = 0% 1111 1111b = 100%

If charge pump automatic gain change is used in this mode, then PWM values need to be written 0 before changing the drivers' operation mode to disabled (00b) to ensure proper automatic gain change operation.

LED CONTROLLER PROGRAMMING COMMANDS

LP5521 has three independent programmable channels (R, G, B). Trigger connections between channels are common for all channels. All channels have own program memories for storing complex patterns. Brightness control and patterns are done with 8-bit PWM control (256 steps) to get accurate and smooth color control.

Program execution is timed with 32 768 Hz clock. This clock can be generated internally or external 32 kHz clock can be connected to CLK_32K pin. Using external clock enables synchronization of LED timing to this clock rather than internal clock. Selection of the clock is made with address 08H bits INT_CLK_EN and CLK_DET_EN. See [EXTERNAL CLOCK DETECTION](#) for details.

Supported commands are listed in the table below. **Command compiler is available for easy sequence programming. With Command compiler it is possible to write sequences with simple ASCII commands, which are then converted to binary or hex format. See application note "LP5521 Programming Considerations" for examples of Command compiler usage.**

Table 10. LED Controller Programming Commands

Command	15	14	13	12	11	10	9	8	7	6	5	4	3	2	1	0	
Ramp Wait	0	Pre-scale	Step time					Sign	Increment (number of steps)								
Set PWM	0	1	0					PWM Value									
Go to Start	0	0	0					0	0	0	0	0	0	0	0	0	0
Branch	1	0	1	Loop count					x	Step / command number							
End	1	1	0	Int	Reset	X											
Trigger	1	1	1	Wait for trigger on channels 5-0					Send trigger on channels 5-0							X	

X means do not care whether 1 or 0.

RAMP/WAIT

Ramp command generates a PWM ramp starting from current value. At each ramp step the output is incremented by one. Time for one step is defined with Prescale and Step time bits. Minimum time for one step is 0.49 ms and maximum time is 63 x 15.6 ms = 1 second/step, so it is possible to program very fast and also very slow ramps. Increment value defines how many steps are taken in one command. Number of actual steps is Increment + 1. Maximum value is 127d, which corresponds to half of full scale (128 steps). If during ramp command PWM reaches minimum/maximum (0/255) ramp command will be executed to the end and PWM will stay at minimum/maximum. This enables ramp command to be used as combined ramp and wait command in a single instruction.

Ramp command can be used as wait instruction when increment is zero.

Setting register 00H bit LOG_EN sets the scale from linear to logarithmic. When LOG_EN = 0 linear scale is used, and when LOG_EN = 1 logarithmic scale is used. By using logarithmic scale the visual effect of the ramp command seems linear to the eye.

Table 11. Ramp/Wait command

15	14	13	12	11	10	9	8	7	6	5	4	3	2	1	0	
0	Pre-scale	Step time					Sign	Increment								

Name	Value(d)	Description
Prescale	0	Divides master clock (32 768Hz) by 16 = 2048 Hz, 0.49 ms cycle time
	1	Divides master clock (32 768Hz) by 512 = 64 Hz, 15.6 ms cycle time
Step time	1-63	One ramp increment done in (step time) x (clock after prescale) Note: 0 means Set PMW command.
Sign	0	Increase PWM output
	1	Decrease PWM output
Increment	0-127	The number of steps is Increment + 1. Note: 0 is a wait instruction.

Application example:

For example if following parameters are used for ramp:

- Prescale = 1 => cycle time = 15.6 ms
- Step time = 2 => time = 15.6 ms x 2 = 31.2 ms
- Sign = 0 => rising ramp
- Increment = 4 => 5 cycles

Ramp command will be: 0100 0010 0000 0100b = 4204H

If current PWM value is 3, and the first command is as described above and next command is a ramp with otherwise same parameters, but with Sign = 1 (Command = 4284H), the result will be like in the following figure:

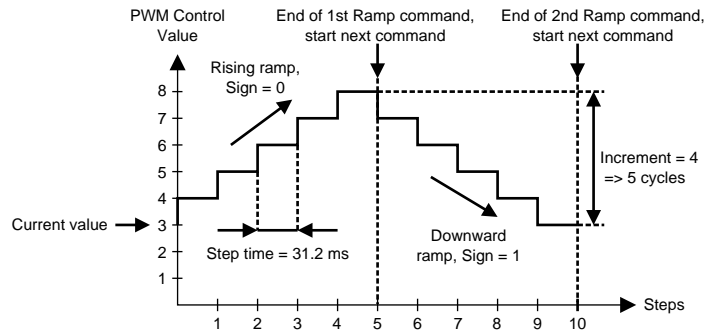


Figure 26. Example of 2 sequential ramp commands.

SET PWM

Set PWM output value from 0 to 255. Command takes sixteen 32 kHz clock cycles (= 488 μs). Setting register 00H bit LOG_EN sets the scale from linear to logarithmic.

Table 12. Set PWM command

15	14	13	12	11	10	9	8	7	6	5	4	3	2	1	0
0	1	0	0	0	0	0	0	PWM value							

GO TO START

Go to start command resets Program Counter register and continues executing program from the 00H location. Command takes sixteen 32 kHz clock cycles. Note that default value for all program memory registers is 0000H, which is Go to start command.

Go to start command															
15	14	13	12	11	10	9	8	7	6	5	4	3	2	1	0
0	0	0	0	0	0	0	0	0	0	0	0	0	0	0	0

BRANCH

When branch command is executed, the 'step number' value is loaded to PC and program execution continues from this location. Looping is done by the number defined in loop count parameter. Nested looping is supported (loop inside loop). The number of nested loops is not limited. Command takes sixteen 32kHz clock cycles.

Table 13. Branch command

15	14	13	12	11	10	9	8	7	6	5	4	3	2	1	0	
1	0	1	Loop count						X	X	X	Step number				

Name	Value(d)	Description
loop count	0-63	The number of loops to be done. 0 means infinite loop.
step number	0-15	The step number to be loaded to program counter.

END

End program execution, resets the program counter and sets the corresponding EXEC register to 00b (hold). Command takes sixteen 32 kHz clock cycles.

Table 14. End command

15	14	13	12	11	10	9	8	7	6	5	4	3	2	1	0
1	1	0	int	reset	X	X	X	X	X	X	X	X	X	X	X

Name	Value	Description
int	0	No interrupt will be sent.
	1	Send interrupt to processor by pulling the INT pin down and setting corresponding status register bit high to notify that program has ended. Interrupt can only be cleared by reading interrupt status register 0CH.
reset	0	Keep the current PWM value.
	1	Set PWM value to 0.

X means do not care whether 1 or 0.

TRIGGER

Wait or send triggers can be used to e.g. synchronize operation between different channels. Send trigger command takes sixteen 32 kHz clock cycles and wait for trigger takes at least sixteen 32 kHz clock cycles. The receiving channel stores sent triggers. Received triggers are cleared by wait for trigger command if received triggers match to channels defined in the command. Channel waits for until all defined triggers have been received.

External trigger input signal must be at least two 32 kHz clock cycles (= 61 μs typ.) long to be recognized. Trigger output signal is three 32 kHz clock cycles (92 μs typ.) long. External trigger signal is active low, i.e. when trigger is sent/received the pin is pulled to GND. Sent external trigger is masked, i.e. the device which has sent the trigger will not recognize it. If send and wait external trigger are used on the same command, the send external trigger is executed first, then the wait external trigger.

Table 15. Trigger command

15	14	13	12	11	10	9	8	7	6	5	4	3	2	1	0
1	1	1	wait trigger <5:0>						send trigger <5:0>						X
			EXT	X	B	G	R	EXT	X	B	G	R			

Name	Value(d)	Description
wait trigger<5:0>	0-31	Wait for trigger for the channel(s) defined. Several triggers can be defined in the same command. Bit 0 is R, bit 1 is G, bit 2 is B and bit 5 is external trigger I/O. Bits 3 and 4 are not in use.
send trigger<5:0>	0-31	Send trigger for the channel(s) defined. Several triggers can be defined in the same command. Bit 0 is R, bit 1 is G, bit 2 is B and bit 5 is external trigger I/O. Bits 3 and 4 are not in use.

X means do not care whether 1 or 0.

POWER SAVE MODE

Automatic power save mode is enabled when PWRSAVE_EN bit in register address 08H is 1. Almost all analog blocks are powered down in power save, if external clock is used. Only charge pump protection circuits remain active. However if internal clock has been selected only charge pump and led drivers are disabled during power save since digital part of the LED controller need to remain active. In both cases charge pump enters 'weak 1x' mode. In this mode charge pump utilizes a passive current limited keep-alive switch, which keeps the output voltage at battery level.

During program execution LP5521 can enter power save if there is no PWM activity in R, G and B outputs. To prevent short power save sequences during program execution, LP5521 has command look-ahead filter. In every instruction cycle R, G, B commands are analyzed, and if there is sufficient time left with no PWM activity, device will enter power save. In power save program execution continues uninterruptedly. When a command that requires PWM activity is executed, fast internal startup sequence will be started automatically. Following tables describe commands and conditions that can activate power save. All channels (R,G,B) need to meet power save condition in order to enable power save.

Table 16. LED controller operation

LED controller operation mode (R,G,B_MODE)	Power save condition
00b	Disabled mode enables power save
01b	Load program to SRAM mode prevents power save
10b	Run program mode enables power save if there is no PWM activity and command look-ahead filter condition is met
11b	Direct control mode enables power save if there is no PWM activity

Command	Power save condition
Wait	No PWM activity and current command wait time longer than 50 ms. If prescale = 1 then wait time needs to be longer than 80 ms.
Ramp	Ramp Command PWM value reaches minimum 0 and current command execution time left more than 50 ms. If prescale = 1 then time left needs to be more than 80 ms.
Trigger	No PWM activity during wait for trigger command execution.
End	No PWM activity or Reset bit = 1
Set PWM	Enables power save if PWM set to 0 and next command generates at least 50 ms wait
Other commands	No effect to power save

See application note "LP5521 Power Efficiency Considerations" for more information.

EXTERNAL CLOCK DETECTION

The presence of external clock can be detected by the LP5521. Program execution is clocked with internal 32 kHz clock or with external clock. Clocking is controlled with register address 08H bits, INT_CLK_EN and CLK_DET_EN as seen on the following table.

External clock can be used if clock is present at CLK_32K pin. External clock frequency must be 32 kHz for the program execution / PWM timing to be like specified. If higher or lower frequency is used, it will affect the program engine execution speed. If other than 32kHz clock frequency is used, the program execution timings must be scaled accordingly. The external clock detector block only detects too low clock frequency (<15 kHz). If external clock frequency is higher than specified, the external clock detector notifies that external clock is present. External clock status can be checked with read only bit EXT_CLK_USED in register address 0CH, when the external clock detection is enabled (CLK_DET_EN bit = high). If EXT_CLK_USED = 1, then the external clock is detected and it is used for timing, if automatic clock selection is enabled (see table below).

If external clock is stuck-at-zero or stuck-at-one, or the clock frequency is too low, the clock detector indicates that external clock is not present.

If external clock is not used on the application, CLK_32K pin should be connected to GND to prevent floating of this pin and extra current consumption.

Table 17. CONFIG register (08H):

Name	Bit	Description
CLK_DET_EN, INT_CLK_EN	1:0	LED Controller clock source 00b = External clock source (CLK_32K) 01b = Internal clock 10b = Automatic selection 11b = Internal clock

LOGIC INTERFACE OPERATIONAL DESCRIPTION

LP5521 features a flexible logic interface for connecting to processor and peripheral devices. Communication is done with I²C compatible interface and different logic input/output pins makes it possible to synchronize operation of several devices.

IO Levels

I²C interface, CLK_32K and TRIG pins input levels are defined by EN pin. Using EN pin as voltage reference for logic inputs simplifies PWB routing and eliminates the need for dedicated V_{IO} pin. In the following block diagram is described EN pin connections.

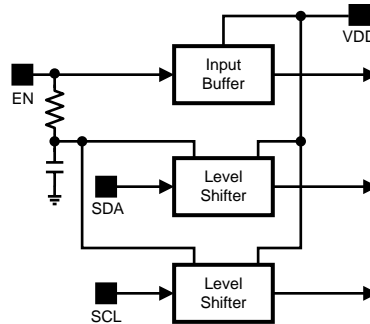


Figure 27. Using EN pin as digital IO voltage reference

ADDR_SEL0/1 are referenced to V_{DD} voltage. GPO pin level is defined by V_{DD} voltage.

GPO/INT pins

LP5521 has one General Purpose Output pin (GPO) and also INT pin can be configured as a GPO pin. When INT is configured as GPO output, its level is defined by the V_{DD} voltage. State of the pins can be controlled with GPO register (0EH). GPO pins are digital CMOS outputs and no pull-up/down resistors are needed.

When INT pin GPO function is disabled, it operates as an open drain pin. INT signal is active low, i.e. when interrupt signal is sent, the pin is pulled to GND. External pull-up resistor is needed for proper functionality.

Table 18. GPO register (0EH)

Name	Bit	Description
INT_AS_GPO	2	Enable INT pin GPO function 0 = INT pin functions as a INT pin 1 = INT pin functions as a GPO pin
GPO	1	0 = GPO pin state is low 1 = GPO pin state is high
INT	0	0 = INT pin state is low (INT_AS_GPO=1) 1 = INT pin state is high (INT_AS_GPO=1)

TRIG pin

TRIG pin can function as an external trigger input or output. External trigger signal is active low, i.e. when trigger is sent/received the pin is pulled to GND. TRIG is an open drain pin and external pull-up resistor is needed for trigger line. External trigger input signal must be at least two 32 kHz clock cycles long to be recognized. Trigger output signal is three 32 kHz clock cycles long. If TRIG pin is not used on application, it should be connected to GND to prevent floating of this pin and extra current consumption.

ADDR_SEL0,1 pins

ADDR_SEL0,1 pins define the chip I²C address. Pins are referenced to V_{DD} signal level. See I²C Compatible Serial Bus Interface chapter for I²C address definitions.

CLK_32K pin

CLK_32K pin is used for connecting external 32 kHz clock to LP5521. External clock can be used to synchronize the sequence engines of several LP5521. Using external clock can also improve automatic power save mode efficiency, because internal clock can be switched off automatically when device has entered power save mode, and external clock is present. See application note “**LP5521 Power Efficiency Considerations**” for more information.

Device can be used without the external clock. If external clock is not used on the application, CLK_32K pin should be connected to GND to prevent floating of this pin and extra current consumption.

I²C COMPATIBLE SERIAL BUS INTERFACE

INTERFACE BUS OVERVIEW

The I²C compatible synchronous serial interface provides access to the programmable functions and registers on the device. This protocol uses a two-wire interface for bidirectional communications between the IC's connected to the bus. The two interface lines are the Serial Data Line (SDA), and the Serial Clock Line (SCL). These lines should be connected to a positive supply, via a pull-up resistor and remain HIGH even when the bus is idle.

Every device on the bus is assigned a unique address and acts as either a Master or a Slave depending on whether it generates or receives the serial clock (SCL).

DATA TRANSACTIONS

One data bit is transferred during each clock pulse. Data is sampled during the high state of the serial clock (SCL). Consequently, throughout the clock's high period, the data should remain stable. Any changes on the SDA line during the high state of the SCL and in the middle of a transaction, aborts the current transaction. New data should be sent during the low SCL state. This protocol permits a single data line to transfer both command/control information and data using the synchronous serial clock.

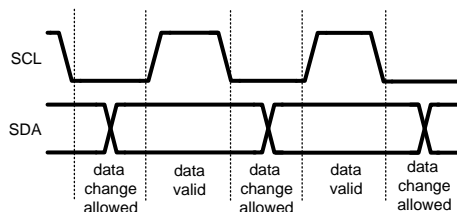


Figure 28. Data Validity

Each data transaction is composed of a Start Condition, a number of byte transfers (set by the software) and a Stop Condition to terminate the transaction. Every byte written to the SDA bus must be 8 bits long and is transferred with the most significant bit first. After each byte, an Acknowledge signal must follow. The following sections provide further details of this process.

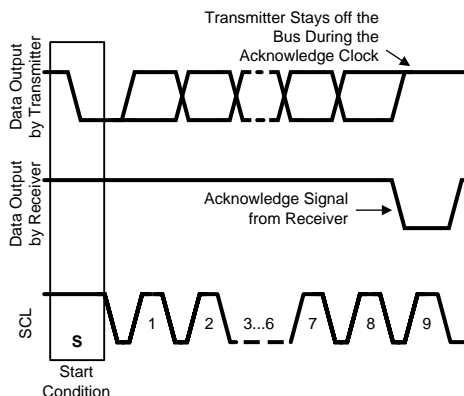


Figure 29. Acknowledge Signal

The Master device on the bus always generates the Start and Stop Conditions (control codes). After a Start Condition is generated, the bus is considered busy and it retains this status until a certain time after a Stop Condition is generated. A high-to-low transition of the data line (SDA) while the clock (SCL) is high indicates a Start Condition. A low-to-high transition of the SDA line while the SCL is high indicates a Stop Condition.

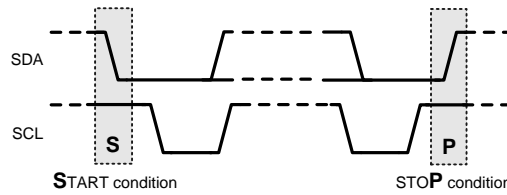


Figure 30. Start and Stop Conditions

In addition to the first Start Condition, a repeated Start Condition can be generated in the middle of a transaction. This allows another device to be accessed, or a register read cycle.

ACKNOWLEDGE CYCLE

The Acknowledge Cycle consists of two signals: the acknowledge clock pulse the master sends with each byte transferred, and the acknowledge signal sent by the receiving device.

The master generates the acknowledge clock pulse on the ninth clock pulse of the byte transfer. The transmitter releases the SDA line (permits it to go high) to allow the receiver to send the acknowledge signal. The receiver must pull down the SDA line during the acknowledge clock pulse and ensure that SDA remains low during the high period of the clock pulse, thus signaling the correct reception of the last data byte and its readiness to receive the next byte.

“ACKNOWLEDGE AFTER EVERY BYTE” RULE

The master generates an acknowledge clock pulse after each byte transfer. The receiver sends an acknowledge signal after every byte received.

There is one exception to the “acknowledge after every byte” rule. When the master is the receiver, it must indicate to the transmitter an end of data by not-acknowledging (“negative acknowledge”) the last byte clocked out of the slave. This “negative acknowledge” still includes the acknowledge clock pulse (generated by the master), but the SDA line is not pulled down.

ADDRESSING TRANSFER FORMATS

Each device on the bus has a unique slave address. The LP5521 operates as a slave device with the 7-bit address. LP5521 I²C address is pin selectable from four different choices. If 8-bit address is used for programming, the 8th bit is 1 for read and 0 for write. In the following table is represented the 8-bit I²C addresses.

ADDR_SEL [1:0]	I ² C address write (8 bits)	I ² C address read (8 bits)
00	0110 0100 = 64H	0110 0101 = 65H
01	0110 0110 = 66H	0110 0111 = 67H
10	0110 1000 = 68H	0110 1001 = 69H
11	0110 1010 = 6AH	0110 1011 = 6BH

Before any data is transmitted, the master transmits the address of the slave being addressed. The slave device should send an acknowledge signal on the SDA line, once it recognizes its address.

The slave address is the first seven bits after a Start Condition. The direction of the data transfer (R/W) depends on the bit sent after the slave address — the eighth bit.

When the slave address is sent, each device in the system compares this slave address with its own. If there is a match, the device considers itself addressed and sends an acknowledge signal. Depending upon the state of the R/W bit (1:read, 0:write), the device acts as a transmitter or a receiver.

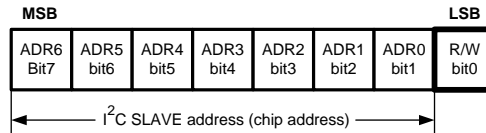


Figure 31. I²C chip address

CONTROL REGISTER WRITE CYCLE

- Master device generates start condition.
- Master device sends slave address (7 bits) and the data direction bit (r/w = 0).
- Slave device sends acknowledge signal if the slave address is correct.
- Master sends control register address (8 bits).
- Slave sends acknowledge signal.
- Master sends data byte to be written to the addressed register.
- Slave sends acknowledge signal.
- If master will send further data bytes the control register address will be incremented by one after acknowledge signal.
- Write cycle ends when the master creates stop condition.

CONTROL REGISTER READ CYCLE

- Master device generates a start condition.
- Master device sends slave address (7 bits) and the data direction bit (r/w = 0).
- Slave device sends acknowledge signal if the slave address is correct.
- Master sends control register address (8 bits).
- Slave sends acknowledge signal.
- Master device generates repeated start condition.
- Master sends the slave address (7 bits) and the data direction bit (r/w = 1).
- Slave sends acknowledge signal if the slave address is correct.
- Slave sends data byte from addressed register.
- If the master device sends acknowledge signal, the control register address will be incremented by one. Slave device sends data byte from addressed register.
- Read cycle ends when the master does not generate acknowledge signal after data byte and generates stop condition.

	Address Mode
Data Read	<Start Condition> <Slave Address><r/w = 0>[Ack] <Register Addr.>[Ack] <Repeated Start Condition> <Slave Address><r/w = 1>[Ack] [Register Data]<Ack or NAck> ... additional reads from subsequent register address possible <Stop Condition>
Data Write	<Start Condition> <Slave Address><r/w='0'>[Ack] <Register Addr.>[Ack] <Register Data>[Ack] ... additional writes to subsequent register address possible <Stop Condition>

<>Data from master [] Data from slave

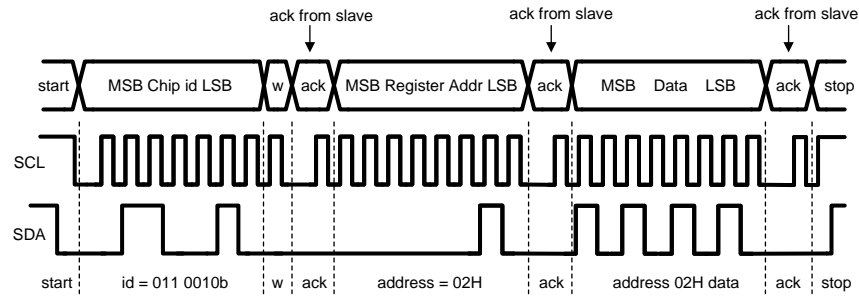
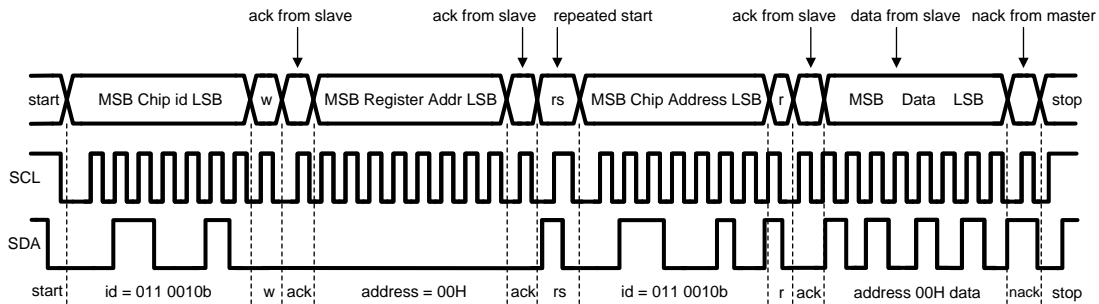


Figure 32. Register Write Format

When a READ function is to be accomplished, a WRITE function must precede the READ function, as show in the Read Cycle waveform



- w = write (SDA = 0)
- r = read (SDA = 1)
- ack = acknowledge (SDA pulled down by either master or slave)
- rs = repeated start
- id = 7-bit chip address

Figure 33. Register Read Format

APPLICATION AND REGISTER INFORMATION

RECOMMENDED EXTERNAL COMPONENTS

CAPACITOR SELECTION

The LP5521 requires 4 external capacitors for proper operation ($C_{IN} = C_{OUT} = 1 \mu\text{F}$, $C_{FLY1} = C_{FLY2} = 470 \text{ nF}$). Surface-mount multi-layer ceramic capacitors are recommended. These capacitors are small, inexpensive and have very low equivalent series resistance (ESR < 20 mΩ typ.). Tantalum capacitors, OS-CON capacitors, and aluminum electrolytic capacitors are not recommended for use with the LP5521 due to their high ESR, as compared to ceramic capacitors.

For most applications, ceramic capacitors with X7R or X5R temperature characteristic are preferred for use with the LP5521. These capacitors have tight capacitance tolerance (as good as ±10%) and hold their value over temperature (X7R: ±15% over -55°C to 125°C; X5R: ±15% over -55°C to 85°C).

Capacitors with Y5V or Z5U temperature characteristic are generally not recommended for use with the LP5521. Capacitors with these temperature characteristics typically have wide capacitance tolerance (+80%, -20%) and vary significantly over temperature (Y5V: +22%, -82% over -30°C to +85°C range; Z5U: +22%, -56% over +10°C to +85°C range). Under some conditions, a nominal 1 μF Y5V or Z5U capacitor could have a capacitance of only 0.1 μF. Such detrimental deviation is likely to cause Y5V and Z5U capacitors to fail to meet the minimum capacitance requirements of the LP5521.

The minimum voltage rating acceptable for all capacitors is 6.3V. The recommended voltage rating of the output capacitor is 10V to account for DC bias capacitance losses.

Some ceramic capacitors, especially those in small packages, exhibit a strong capacitance reduction with the increased applied voltage (DC bias effect). The capacitance value can fall below half of the nominal capacitance. Choose output and input capacitor with DC bias voltage effect better than -50% at 5V voltage (0.5 μF at 5V).

LIST OF RECOMMENDED EXTERNAL COMPONENTS

Model	Type	Vendor	Voltage Rating	Size inch (mm)
1 μF for C_{OUT} and C_{IN}				
C1005X5R1A105K	Ceramic X5R	TDK	10 V	0402 (1005)
ECJ0EB1A105M	Ceramic X5R	Panasonic	10 V	0402 (1005)
ECJUVBPA105M	Ceramic X5R, array of two	Panasonic	10 V	0504
470 nF for C_{FLY1-2}				
C1005X5R1A474K	Ceramic X5R	TDK	10 V	0402 (1005)
ECJ0EB0J474K	Ceramic X5R	Panasonic	10 V	0402 (1005)
LEDs	User Defined			

PROGRAM LOAD AND EXECUTION EXAMPLE

Startup Device and Configure Device to SRAM Write Mode:

- Supply e.g. 3.6V to VDD
- Supply e.g. 1.8V to EN
- Wait 1 ms (startup delay)
- Generate 32 kHz clock to CLK_32K pin
- Write to address 00H 0100 0000b (enable LP5521)
- Wait 500 μs (startup delay)
- Write to address 01H 0001 0000b (Configure R channel into "Load program to SRAM" mode)

Program Load to SRAM (see figure below):

- Write to address 10H 0000 0011b (1st ramp command 8 MSB)
- Write to address 11H 0111 1111b (1st ramp command 8 LSB)
- Write to address 12H 0100 1101b (1st wait command 8 MSB)

- Write to address 13H 0000 0000b (1st wait command 8 LSB)
- Write to address 14H 0000 0011b (2nd ramp command 8 MSB)
- Write to address 15H 1111 1111b (2nd ramp command 8 LSB)
- Write to address 16H 0110 0000b (2nd wait command 8 MSB)
- Write to address 17H 0000 0000b (2nd wait command 8 LSB)

Enable Powersave, charge pump automatic mode (1x / 1.5x) and use external 32 kHz clock:

- Write to address 08H 0011 1000b

Run program:

- Write to address 01H 0010 0000b (Configure LED controller operation mode to "Run program" in R channel)
- Write to address 00H 0110 0000b (Configure program execution mode from "Hold" to "Run" in R channel)

LP5521 will generate 1100 ms long LED pattern which will be repeated infinitely. LED pattern is illustrated on the figure below.

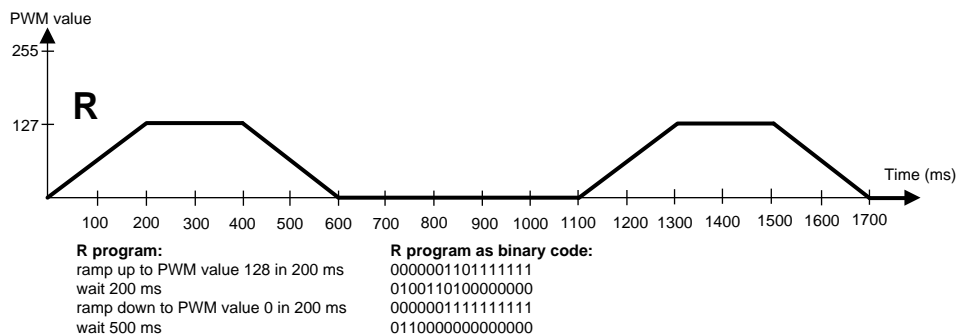


Figure 34. Sequence diagram

DIRECT PWM CONTROL EXAMPLE

Startup device:

- Supply e.g. 3.6V to VDD
- Supply e.g. 1.8V to EN
- Wait 1 ms (startup delay)
- Write to address 00H 0100 0000b (enable LP5521)
- Wait 500 μ s (startup delay)

Enable charge pump 1.5x mode and use internal clock:

- Write to address 08H 0001 0001b

Direct PWM control:

- Write to address 01H 0011 1111b (Configure R, G and B channels into "Direct PWM control mode")

Write PWM values:

- Write to address 02H 1000 0000b (R driver PWM 50% duty cycle)
- Write to address 03H 1100 0000b (G driver PWM 75% duty cycle)
- Write to address 04H 1111 1111b (B driver PWM 100% duty cycle)

LEDs are turned on after the PWM values are written. Changes to the PWM value registers are reflected immediately to the LED brightness. Default LED current (17.5 mA) is used for LED outputs, if no other values are written.

See application note "LP5521 Programming Considerations" for more information.

Table 19. LP5521 Control Register Names and Default Values

ADDR (HEX)	REGISTER	D7	D6	D5	D4	D3	D2	D1	D0	DEFAULT
00	ENABLE	LOG_EN	CHIP_EN	R_EXEC[1:0]		G_EXEC[1:0]		B_EXEC[1:0]		0000 0000
01	OP MODE			R_MODE[1:0]		G_MODE[1:0]		B_MODE[1:0]		0000 0000
02	R PWM	R_PWM[7:0]								0000 0000
03	G PWM	G_PWM[7:0]								0000 0000
04	B PWM	B_PWM[7:0]								0000 0000
05	R CURRENT	R_CURRENT[7:0]								1010 1111
06	G CURRENT	G_CURRENT[7:0]								1010 1111
07	B CURRENT	B_CURRENT[7:0]								1010 1111
08	CONFIG		PWM_HF	PWRSAVE_EN	CP_MODE[1:0]		R_TO_BATT	CLK_DET_EN	INT_CLK_EN	0000 0000
09	R PC					R_PC[3:0]				0000 0000
0A	G PC					G_PC[3:0]				0000 0000
0B	B PC					B_PC[3:0]				0000 0000
0C	STATUS					EXT_CLK_USED	R_INT	G_INT	B_INT	0000 0000
0D	RESET	RESET[7:0]								0000 0000
0E	GPO						INT_AS_GPO	GPO	INT	0000 0000
10	PROG MEM R	CMD_R1[15:8]								0000 0000
11	PROG MEM R	CMD_R1[7:0]								0000 0000
...										
2E	PROG MEM R	CMD_R16[15:8]								0000 0000
2F	PROG MEM R	CMD_R16[7:0]								0000 0000

Table 19. LP5521 Control Register Names and Default Values (continued)

ADDR (HEX)	REGISTER	D7	D6	D5	D4	D3	D2	D1	D0	DEFAULT
30	PROG MEM G	CMD_G1[15:8]								0000 0000
31	PROG MEM G	CMD_G1[7:0]								0000 0000
...										
4E	PROG MEM G	CMD_G16[15:8]								0000 0000
4F	PROG MEM G	CMD_G16[7:0]								0000 0000
50	PROG MEM B	CMD_B1[15:8]								0000 0000
51	PROG MEM B	CMD_B1[7:0]								0000 0000
...										
6E	PROG MEM B	CMD_B16[15:8]								0000 0000
6F	PROG MEM B	CMD_B16[7:0]								0000 0000

ENABLE REGISTER (ENABLE)

Address 00H

Reset value 00H

Table 20. Enable Register

7	6	5	4	3	2	1	0
LOG_EN	CHIP_EN	R_EXEC[1]	R_EXEC[0]	G_EXEC[1]	G_EXEC[0]	B_EXEC[1]	B_EXEC[0]

Name	Bit	Access	Active	Description
LOG_EN	7	R/W	High	Logarithmic PWM adjustment generation enable
CHIP_EN	6	R/W	High	Master chip enable. Enables device internal startup sequence. Startup delay after setting CHIP_EN is 500 μ s. See Operation for further information. Setting EN pin low resets the CHIP_EN state to 0.
R_EXEC	5:4	R/W		R channel program execution. 00b = Hold: Wait until current command is finished then stop while EXEC mode is hold. PC can be read or written only in this mode. 01b = Step: Execute instruction defined by current R channel PC value, increment PC and change R_EXEC to 00b (Hold) 10b = Run: Start at program counter value defined by current R Channel PC value 11b = Execute instruction defined by current R channel PC value and change R_EXEC to 00b (Hold)
G_EXEC	3:2	R/W		G channel program execution 00b = Hold: Wait until current command is finished then stop while EXEC mode is hold. PC can be read or written only in this mode. 01b = Step: Execute instruction defined by current G channel PC value, increment PC and change G_EXEC to 00b (Hold) 10b = Run: Start at program counter value defined by current G Channel PC value 11b = Execute instruction defined by current G channel PC value and change G_EXEC to 00b (Hold)
B_EXEC	1:0	R/W		B channel program execution 00b = Hold: Wait until current command is finished then stop while EXEC mode is hold. PC can be read or written only in this mode. 01b = Step: Execute instruction defined by current B channel PC value, increment PC and change B_EXEC to 00b (Hold) 10b = Run: Start at program counter value defined by current B Channel PC value 11b = Execute instruction defined by current B channel PC value and change B_EXEC to 00b (Hold)

EXEC registers are synchronized to 32 kHz clock. Delay between consecutive I²C writes to ENABLE register (00H) need to be longer than 488 μ s (typ).

OPERATION MODE REGISTER (OP MODE)

Address 01H

Reset value 00H

Table 21. OP Mode Register

7	6	5	4	3	2	1	0
		R_MODE[1]	R_MODE[0]	G_MODE[1]	G_MODE[0]	B_MODE[1]	B_MODE[0]

Name	Bit	Access	Active	Description
R_MODE	5:4	R/W		R channel operation mode 00b = Disabled 01b = Load program to SRAM, reset R channel PC 10b = Run program defined by R_EXEC 11b = Direct control
G_MODE	3:2	R/W		G channel operation mode 00b = Disabled 01b = Load program to SRAM, reset G channel PC 10b = Run program defined by G_EXEC 11b = Direct control
B_MODE	1:0	R/W		B channel operation mode 00b = Disabled 01b = Load program to SRAM, reset B channel PC 10b = Run program defined by B_EXEC 11b = Direct control

MODE registers are synchronized to 32 kHz clock. Delay between consecutive I²C writes to OP_MODE register (01H) need to be longer than 153 μ s (typ).

R CHANNEL PWM CONTROL (R_PWM)

Address 02H

Reset value 00H

Table 22. R PWM Register

7	6	5	4	3	2	1	0
R_PWM[7:0]							

Name	Bit	Access	Active	Description
R_PWM	7:0	R/W		R Channel PWM value during direct control operation mode

G CHANNEL PWM CONTROL (G_PWM)

Address 03H

Reset value 00H

Table 23. G PWM Register

7	6	5	4	3	2	1	0
G_PWM[7:0]							

Name	Bit	Access	Active	Description
G_PWM	7:0	R/W		G Channel PWM value during direct control operation mode

B CHANNEL PWM CONTROL (B_PWM)

Address 04H

Reset value 00H

Table 24. B PWM Register

7	6	5	4	3	2	1	0
B_PWM[7:0]							

Name	Bit	Access	Active	Description
B_PWM	7:0	R/W		B Channel PWM value during direct control operation mode

R CHANNEL CURRENT (R_CURRENT)

Address 05H

Reset Value AFH

Table 25. R CURRENT Register

7	6	5	4	3	2	1	0
R_CURRENT[7:0]							

Name	Bit	Access	Active	Description
R_CURRENT	7:0	R/W		Current setting 0000 0000b = 0.0 mA 0000 0001b = 0.1 mA 0000 0010b = 0.2 mA 0000 0011b = 0.3 mA 0000 0100b = 0.4 mA 0000 0101b = 0.5 mA 0000 0110b = 0.6 mA ... 1010 1111b = 17.5 mA (default) ... 1111 1011b = 25.1 mA 1111 1100b = 25.2 mA 1111 1101b = 25.3 mA 1111 1110b = 25.4 mA 1111 1111b = 25.5 mA

G CHANNEL CURRENT (G_CURRENT)

Address 06H

Reset Value AFH

Table 26. G CURRENT Register

7	6	5	4	3	2	1	0
G_CURRENT[7:0]							
Name	Bit	Access	Active	Description			
G_CURRENT	7:0	R/W		Current setting 0000 0000b = 0.0 mA 0000 0001b = 0.1 mA 0000 0010b = 0.2 mA 0000 0011b = 0.3 mA 0000 0100b = 0.4 mA 0000 0101b = 0.5 mA 0000 0110b = 0.6 mA ... 1010 1111b = 17.5 mA (default) ... 1111 1011b = 25.1 mA 1111 1100b = 25.2 mA 1111 1101b = 25.3 mA 1111 1110b = 25.4 mA 1111 1111b = 25.5 mA			

B CHANNEL CURRENT (B_CURRENT)

Address 07H

Reset value AFH

Table 27. B CURRENT Register

7	6	5	4	3	2	1	0
B_CURRENT[7:0]							
Name	Bit	Access	Active	Description			
B_CURRENT	7:0	R/W		Current setting 0000 0000b = 0.0 mA 0000 0001b = 0.1 mA 0000 0010b = 0.2 mA 0000 0011b = 0.3 mA 0000 0100b = 0.4 mA 0000 0101b = 0.5 mA 0000 0110b = 0.6 mA ... 1010 1111b = 17.5 mA (default) ... 1111 1011b = 25.1 mA 1111 1100b = 25.2 mA 1111 1101b = 25.3 mA 1111 1110b = 25.4 mA 1111 1111b = 25.5 mA			

CONFIGURATION CONTROL (CONFIG)

Address 08H

Reset value 00H

Table 28. CONFIG Register

7	6	5	4	3	2	1	0
	PWM_HF	PWRSAVE_EN	CP_MODE[1:0]		R_TO_BATT	CLK_DET_EN	INT_CLK_EN

Name	Bit	Access	Active	Description
PWM_HF	6	R/W	High	PWM clock 0 = 256 Hz PWM clock used (CLK_32K) 1 = 558 Hz PWM clock used (internal oscillator)
PWRSAVE_EN	5	R/W	High	Power save mode enable
CP_MODE	4:3	R/W		Charge pump operation mode 00b = OFF 01b = Forced to bypass mode (1x) 10b = Forced to 1.5x mode 11b = Automatic mode selection
R_TO_BATT	2	R/W	High	R channel supply connection 0 = R output connected to charge pump 1 = R output connected to battery
CLK_DET_EN, INT_CLK_EN	1:0	R/W		LED Controller clock source 00b = External clock source (CLK_32K) 01b = Internal clock 10b = Automatic selection 11b = Internal clock

R CHANNEL PROGRAM COUNTER VALUE (R CHANNEL PC)

Address 09H

Reset value 00H

Table 29. R Channel PC Register

7	6	5	4	3	2	1	0
				R_PC[3]	R_PC[2]	R_PC[1]	R_PC[0]

Name	Bit	Access	Active	Description
R_PC	3:0	R/W		R channel program counter value

PC registers are synchronized to 32 kHz clock. Delay between consecutive I²C writes to PC registers needs to be longer than 153 μ s (typ.). PC register can be read or written only when EXEC mode is 'hold'.

G CHANNEL PROGRAM COUNTER VALUE (G CHANNEL PC)

Address 0AH

Reset value 00H

Table 30. G Channel PC Register

7	6	5	4	3	2	1	0
				G_PC[3]	G_PC[2]	G_PC[1]	G_PC[0]

Name	Bit	Access	Active	Description
G_PC	3:0	R/W		G channel program counter value

PC registers are synchronized to 32 kHz clock. Delay between consecutive I²C writes to PC registers needs to be longer than 153 μ s (typ.). PC register can be read or written only when EXEC mode is 'hold'.

B CHANNEL PROGRAM COUNTER VALUE (B CHANNEL PC)

Address 0BH

Reset value 00H

Table 31. B Channel PC Register

7	6	5	4	3	2	1	0
				B_PC[3]	B_PC[2]	B_PC[1]	B_PC[0]

Name	Bit	Access	Active	Description
B_PC	3:0	R/W		B channel program counter value

PC registers are synchronized to 32 kHz clock. Delay between consecutive I²C writes to PC registers needs to be longer than 153 μ s (typ.). PC register can be read or written only when EXEC mode is 'hold'.

STATUS/INTERRUPT REGISTER

Address 0CH

Reset value 00H

Table 32. STATUS/INTERRUPT Register

7	6	5	4	3	2	1	0
				EXT_CLK USED	R_INT	G_INT	B_INT

Name	Bit	Access	Active	Description
EXT_CLK USED	3	R		External clock state 0 = Internal 32kHz clock used 1 = External 32kHz clock used
R_INT	2	R	High	Interrupt from R channel
G_INT	1	R	High	Interrupt from G channel
B_INT	0	R	High	Interrupt from B channel

Note: Register INT bits will be cleared when read operation to Status/Interrupt register occurs. INT output pin (active low) will go high after read operation.

RESET REGISTER

Address 0DH

Reset value 00H

Table 33. RESET Register

7	6	5	4	3	2	1	0
RESET	RESET	RESET	RESET	RESET	RESET	RESET	RESET

Name	Bit	Access	Active	Description
RESET	7:0	W		Reset all register values when FFH is written. No acknowledge from LP5521 after write.

GPO REGISTER

Address 0EH

Reset value 00H

Table 34. GPO Register

7	6	5	4	3	2	1	0
					INT_AS_GPO	GPO	INT

Name	Bit	Access	Active	Description
INT_AS_GPO	2	R/W	High	Enable INT pin GPO function
GPO	1	R/W	High	GPO pin state: 0 = LOW 1 = HIGH
INT	0	R/W	High	INT pin state (when INT_AS_GPO=1): 0 = LOW 1 = HIGH

PROGRAM MEMORY

Address 10H – 6FH

Reset values 00H

 Please see [LED CONTROLLER PROGRAMMING COMMANDS](#) for further information.

Command	15	14	13	12	11	10	9	8	7	6	5	4	3	2	1	0	
Ramp Wait	0	Pre-scale	Step time					Sign	Increment								
Set PWM	0	1	0					PWM Value									
Go toStart	0	0	0					0	0	0	0	0	0	0	0	0	0
Branch	1	0	1	Loop Count					X	Step number							
End	1	1	0	Int	Reset	X											
Trigger	1	1	1	Wait for trigger on channels 5-0					Send trigger on channels 5-0					X			

PACKAGING INFORMATION

Orderable Device	Status (1)	Package Type	Package Drawing	Pins	Package Qty	Eco Plan (2)	Lead/Ball Finish	MSL Peak Temp (3)	Op Temp (°C)	Top-Side Markings (4)	Samples
LP5521TM/NOPB	ACTIVE	DSBGA	YFQ	20	250	Green (RoHS & no Sb/Br)	SNAGCU	Level-1-260C-UNLIM	-30 to 85	5521	Samples
LP5521TMX/NOPB	ACTIVE	DSBGA	YFQ	20	3000	Green (RoHS & no Sb/Br)	SNAGCU	Level-1-260C-UNLIM	-30 to 85	5521	Samples
LP5521YQ/NOPB	ACTIVE	QFN	NJA	24	1000	Green (RoHS & no Sb/Br)	CU SNAGCU	Level-1-260C-UNLIM	-30 to 85	L5521YQ	Samples
LP5521YQX/NOPB	ACTIVE	QFN	NJA	24	4500	Green (RoHS & no Sb/Br)	CU SNAGCU	Level-1-260C-UNLIM	-30 to 85	L5521YQ	Samples

(1) The marketing status values are defined as follows:

ACTIVE: Product device recommended for new designs.

LIFEBUY: TI has announced that the device will be discontinued, and a lifetime-buy period is in effect.

NRND: Not recommended for new designs. Device is in production to support existing customers, but TI does not recommend using this part in a new design.

PREVIEW: Device has been announced but is not in production. Samples may or may not be available.

OBSOLETE: TI has discontinued the production of the device.

(2) Eco Plan - The planned eco-friendly classification: Pb-Free (RoHS), Pb-Free (RoHS Exempt), or Green (RoHS & no Sb/Br) - please check <http://www.ti.com/productcontent> for the latest availability information and additional product content details.

TBD: The Pb-Free/Green conversion plan has not been defined.

Pb-Free (RoHS): TI's terms "Lead-Free" or "Pb-Free" mean semiconductor products that are compatible with the current RoHS requirements for all 6 substances, including the requirement that lead not exceed 0.1% by weight in homogeneous materials. Where designed to be soldered at high temperatures, TI Pb-Free products are suitable for use in specified lead-free processes.

Pb-Free (RoHS Exempt): This component has a RoHS exemption for either 1) lead-based flip-chip solder bumps used between the die and package, or 2) lead-based die adhesive used between the die and leadframe. The component is otherwise considered Pb-Free (RoHS compatible) as defined above.

Green (RoHS & no Sb/Br): TI defines "Green" to mean Pb-Free (RoHS compatible), and free of Bromine (Br) and Antimony (Sb) based flame retardants (Br or Sb do not exceed 0.1% by weight in homogeneous material)

(3) MSL, Peak Temp. -- The Moisture Sensitivity Level rating according to the JEDEC industry standard classifications, and peak solder temperature.

(4) Multiple Top-Side Markings will be inside parentheses. Only one Top-Side Marking contained in parentheses and separated by a "~" will appear on a device. If a line is indented then it is a continuation of the previous line and the two combined represent the entire Top-Side Marking for that device.

Important Information and Disclaimer: The information provided on this page represents TI's knowledge and belief as of the date that it is provided. TI bases its knowledge and belief on information provided by third parties, and makes no representation or warranty as to the accuracy of such information. Efforts are underway to better integrate information from third parties. TI has taken and continues to take reasonable steps to provide representative and accurate information but may not have conducted destructive testing or chemical analysis on incoming materials and chemicals. TI and TI suppliers consider certain information to be proprietary, and thus CAS numbers and other limited information may not be available for release.

In no event shall TI's liability arising out of such information exceed the total purchase price of the TI part(s) at issue in this document sold by TI to Customer on an annual basis.

TAPE AND REEL INFORMATION

QUADRANT ASSIGNMENTS FOR PIN 1 ORIENTATION IN TAPE


*All dimensions are nominal

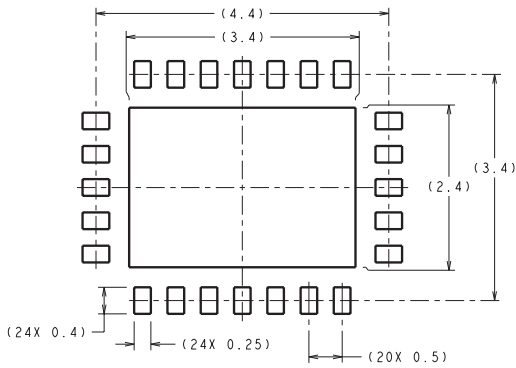
Device	Package Type	Package Drawing	Pins	SPQ	Reel Diameter (mm)	Reel Width W1 (mm)	A0 (mm)	B0 (mm)	K0 (mm)	P1 (mm)	W (mm)	Pin1 Quadrant
LP5521TM/NOPB	DSBGA	YFQ	20	250	178.0	8.4	1.96	2.31	0.76	4.0	8.0	Q1
LP5521TMX/NOPB	DSBGA	YFQ	20	3000	178.0	8.4	1.96	2.31	0.76	4.0	8.0	Q1
LP5521YQ/NOPB	QFN	NJA	24	1000	178.0	12.4	4.3	5.3	1.3	8.0	12.0	Q1
LP5521YQX/NOPB	QFN	NJA	24	4500	330.0	12.4	4.3	5.3	1.3	8.0	12.0	Q1

TAPE AND REEL BOX DIMENSIONS

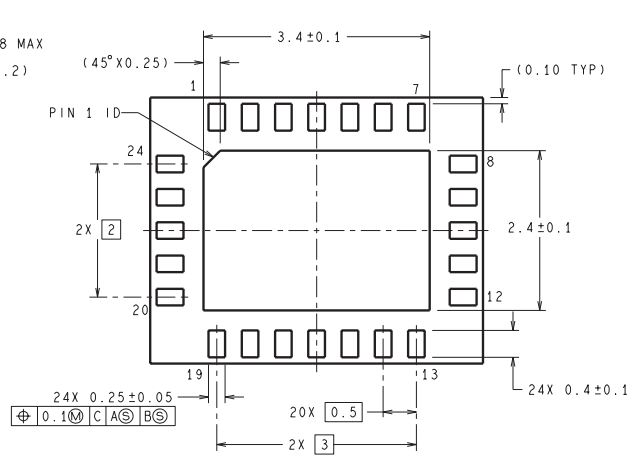
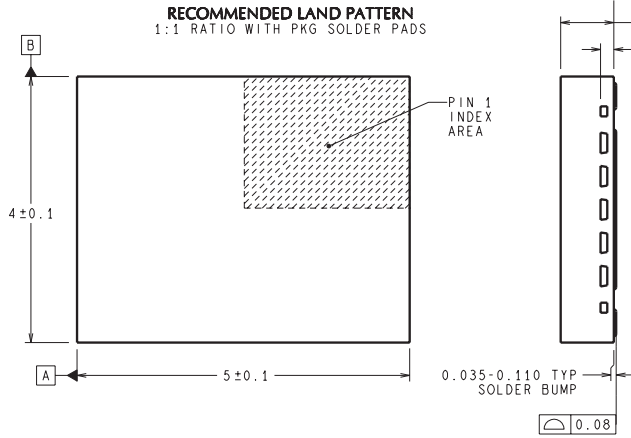

*All dimensions are nominal

Device	Package Type	Package Drawing	Pins	SPQ	Length (mm)	Width (mm)	Height (mm)
LP5521TM/NOPB	DSBGA	YFQ	20	250	210.0	185.0	35.0
LP5521TMX/NOPB	DSBGA	YFQ	20	3000	210.0	185.0	35.0
LP5521YQ/NOPB	QFN	NJA	24	1000	210.0	185.0	35.0
LP5521YQX/NOPB	QFN	NJA	24	4500	367.0	367.0	35.0

NJA0024A



DIMENSIONS ARE IN MILLIMETERS
DIMENSIONS IN () FOR REFERENCE ONLY



YQA24A (Rev B)

IMPORTANT NOTICE

Texas Instruments Incorporated and its subsidiaries (TI) reserve the right to make corrections, enhancements, improvements and other changes to its semiconductor products and services per JESD46, latest issue, and to discontinue any product or service per JESD48, latest issue. Buyers should obtain the latest relevant information before placing orders and should verify that such information is current and complete. All semiconductor products (also referred to herein as "components") are sold subject to TI's terms and conditions of sale supplied at the time of order acknowledgment.

TI warrants performance of its components to the specifications applicable at the time of sale, in accordance with the warranty in TI's terms and conditions of sale of semiconductor products. Testing and other quality control techniques are used to the extent TI deems necessary to support this warranty. Except where mandated by applicable law, testing of all parameters of each component is not necessarily performed.

TI assumes no liability for applications assistance or the design of Buyers' products. Buyers are responsible for their products and applications using TI components. To minimize the risks associated with Buyers' products and applications, Buyers should provide adequate design and operating safeguards.

TI does not warrant or represent that any license, either express or implied, is granted under any patent right, copyright, mask work right, or other intellectual property right relating to any combination, machine, or process in which TI components or services are used. Information published by TI regarding third-party products or services does not constitute a license to use such products or services or a warranty or endorsement thereof. Use of such information may require a license from a third party under the patents or other intellectual property of the third party, or a license from TI under the patents or other intellectual property of TI.

Reproduction of significant portions of TI information in TI data books or data sheets is permissible only if reproduction is without alteration and is accompanied by all associated warranties, conditions, limitations, and notices. TI is not responsible or liable for such altered documentation. Information of third parties may be subject to additional restrictions.

Resale of TI components or services with statements different from or beyond the parameters stated by TI for that component or service voids all express and any implied warranties for the associated TI component or service and is an unfair and deceptive business practice. TI is not responsible or liable for any such statements.

Buyer acknowledges and agrees that it is solely responsible for compliance with all legal, regulatory and safety-related requirements concerning its products, and any use of TI components in its applications, notwithstanding any applications-related information or support that may be provided by TI. Buyer represents and agrees that it has all the necessary expertise to create and implement safeguards which anticipate dangerous consequences of failures, monitor failures and their consequences, lessen the likelihood of failures that might cause harm and take appropriate remedial actions. Buyer will fully indemnify TI and its representatives against any damages arising out of the use of any TI components in safety-critical applications.

In some cases, TI components may be promoted specifically to facilitate safety-related applications. With such components, TI's goal is to help enable customers to design and create their own end-product solutions that meet applicable functional safety standards and requirements. Nonetheless, such components are subject to these terms.

No TI components are authorized for use in FDA Class III (or similar life-critical medical equipment) unless authorized officers of the parties have executed a special agreement specifically governing such use.

Only those TI components which TI has specifically designated as military grade or "enhanced plastic" are designed and intended for use in military/aerospace applications or environments. Buyer acknowledges and agrees that any military or aerospace use of TI components which have **not** been so designated is solely at the Buyer's risk, and that Buyer is solely responsible for compliance with all legal and regulatory requirements in connection with such use.

TI has specifically designated certain components as meeting ISO/TS16949 requirements, mainly for automotive use. In any case of use of non-designated products, TI will not be responsible for any failure to meet ISO/TS16949.

Products

Audio	www.ti.com/audio
Amplifiers	amplifier.ti.com
Data Converters	dataconverter.ti.com
DLP® Products	www.dlp.com
DSP	dsp.ti.com
Clocks and Timers	www.ti.com/clocks
Interface	interface.ti.com
Logic	logic.ti.com
Power Mgmt	power.ti.com
Microcontrollers	microcontroller.ti.com
RFID	www.ti-rfid.com
OMAP Applications Processors	www.ti.com/omap
Wireless Connectivity	www.ti.com/wirelessconnectivity

Applications

Automotive and Transportation	www.ti.com/automotive
Communications and Telecom	www.ti.com/communications
Computers and Peripherals	www.ti.com/computers
Consumer Electronics	www.ti.com/consumer-apps
Energy and Lighting	www.ti.com/energy
Industrial	www.ti.com/industrial
Medical	www.ti.com/medical
Security	www.ti.com/security
Space, Avionics and Defense	www.ti.com/space-avionics-defense
Video and Imaging	www.ti.com/video

TI E2E Community

e2e.ti.com