

## RM46Lx30 16/32-Bit RISC Flash Microcontroller

### 1 RM46Lx30 16/32-Bit RISC Flash Microcontroller

#### 1.1 Features

- **High-Performance Microcontroller for Safety Critical Applications**
  - Dual CPUs running in lockstep
  - ECC on flash and RAM interfaces
  - Built-In Self Test for CPU and on-chip RAMs
  - Error Signaling Module with Error Pin
  - Voltage and Clock Monitoring
- **ARM® Cortex™ – R4F 32-bit RISC CPU**
  - 1.66DMIPS/MHz with 8-stage pipeline
  - FPU with Single/Double Precision
  - 12-Region Memory Protection Unit
  - Open Architecture with 3rd Party Support
- **Operating Conditions**
  - 200MHz System Clock
  - Core Supply Voltage (VCC): 1.14V - 1.32V
  - I/O Supply Voltage (VCCIO): 3.0V - 3.6V
- **Integrated Memory**
  - Up to 1.25MB Program Flash with ECC
  - Up to 192KB RAM with ECC
  - 64KB Flash for emulated EEPROM with ECC
- **16-bit External Memory Interface (EMIF)**
- **Common Platform Architecture**
  - Consistent memory map across family
  - Real-Time Interrupt Timer (RTI) OS Timer
  - 128-channel Vectored Interrupt Module (VIM)
  - 2-channel Cyclic Redundancy Checker (CRC)
- **Direct Memory Access (DMA) Controller**
  - 16 Channels and 32 Control Packets
  - Parity protection for control packet RAM
  - DMA Accesses Protected by Dedicated MPU
- **Frequency-Modulated Phase-Locked-Loop (FMPLL) with Built-In Slip Detector**
- **Separate Non-Modulating PLL**
- **IEEE 1149.1 JTAG, Boundary Scan and ARM CoreSight Components**
- **Advanced JTAG Security Module (AJSM)**
- **Trace and Calibration Capabilities**
  - Parameter Overlay Module (POM)
- **Enhanced Timing Peripherals for Motor Control**
  - 7 Enhanced Pulse Width Modulators (ePWM)
  - 6 Enhanced Capture (eCAP)
  - 2 Enhanced Quadrature Encoder Pulse (eQEP)
- **Two High-End Timer Modules (N2HET)**
  - N2HET1: 32 programmable channels
  - N2HET2: 18 programmable channels
  - 160 Word Instruction RAM with parity protection each
  - Each includes Hardware Angle Generator
  - Dedicated Transfer Units (HTU) on N2HETs
- **Two 10/12-bit Multi-Buffered ADC Modules**
  - ADC1: 24 channels
  - ADC2: 16 channels
  - 16 shared channels
  - 64 result buffers with parity protection each
- **Multiple Communication Interfaces**
  - **USB (revision 2.0 full-speed)**
    - 2-port USB Specification, revision 2.0-compatible host controller, based on the OHCI Specification for USB, release 1.0
    - USB device compatible with the USB Specification, revision 2.0 and USB Specification, revision 1.1
  - **Three CAN Controllers (DCAN)**
    - 64 mailboxes with parity protection each
    - Compliant to CAN protocol version 2.0A/B
  - **Inter-Integrated Circuit (I<sup>2</sup>C)**
  - **Three Multi-buffered Serial Peripheral Interfaces (MibSPI)**
    - 128 Words with Parity Protection each
    - 8 Transfer groups
  - **Up to two Standard Serial Peripheral Interfaces (SPI)**
  - **Two UART (SCI) interfaces, one with Local Interconnect Network Interface (LIN 2.1) Support**
- **Up to 101 general purpose I/O (GIO) capable pins**
  - 16 dedicated GIO pins with interrupt generation capability
- **Packages**
  - 144-pin Quad Flatpack (PGE) [Green]
  - 337-Ball Grid Array (ZWT) [Green]



Please be aware that an important notice concerning availability, standard warranty, and use in critical applications of Texas Instruments semiconductor products and disclaimers thereto appears at the end of this data sheet.

## 1.2 Applications

- **Industrial Safety Applications**
  - Industrial Automation
  - Safe PLC's (Programmable Logic Controllers)
  - Power Generation and Distribution
  - Turbines and Windmills
  - Elevators and Escalators
- **Medical Applications**
  - Ventilators
  - Defibrillators
  - Infusion and Insulin pumps
  - Radiation therapy
  - Robotic surgery

### 1.3 Description

The RM46Lx30 is a high performance microcontroller family for safety systems. The safety architecture includes Dual CPUs in lockstep, CPU and Memory Built-In Self Test (BIST) logic, ECC on both the Flash and the data SRAM, parity on peripheral memories, and loop back capability on peripheral IOs.

The RM46Lx30 integrates the ARM® Cortex™-R4F Floating Point CPU which offers an efficient 1.66DMIPS/MHz, and has configurations which can run up to 200MHz providing up to 332 DMIPS. The device supports the big-endian [BE32] format.

The RM46Lx30 has up to 1.25MB integrated Flash and up to 192KB data RAM configurations with single bit error correction and double bit error detection. The flash memory on this device is a nonvolatile, electrically erasable and programmable, implemented with a 64-bit-wide data bus interface. The flash operates on a 3.3V supply input (same level as I/O supply) for all read, program and erase operations. When in pipeline mode, the flash operates with a system clock frequency of up to 200MHz. The SRAM supports single-cycle read/write accesses in byte, halfword, and word modes throughout the supported frequency range..

The RM46Lx30 device features peripherals for real-time control-based applications, including two Next Generation High End Timer (N2HET) timing coprocessors with up to 44 total IO terminals, seven Enhanced PWM (ePWM) modules with up to 14 outputs, six Enhanced Capture Modules (eCAP), two Enhanced Quadrature Encoders (eQEP) and two 12-bit Analog-to-Digital converters supporting up to 24 inputs.

The N2HET is an advanced intelligent timer that provides sophisticated timing functions for real-time applications. The timer is software-controlled, using a reduced instruction set, with a specialized timer micromachine and an attached I/O port. The N2HET can be used for pulse width modulated outputs, capture or compare inputs, or general-purpose I/O. It is especially well suited for applications requiring multiple sensor information and drive actuators with complex and accurate time pulses. A High End Timer Transfer Unit (HET-TU) can perform DMA type transactions to transfer N2HET data to or from main memory. A Memory Protection Unit (MPU) is built into the HET-TU.

The enhanced pulse width modulator (ePWM) module is able to generate complex pulse width waveforms with minimal CPU overhead or intervention. It is easy to use and supports both high side and low side PWM and deadband generation. With integrated trip zone protection and synchronization with the on chip MibADC, the ePWM module is ideal for digital motor control applications.

The enhanced Capture (eCAP) module is essential in systems where the accurately timed capture of external events is important. The eCAP can also be used to monitor the ePWM outputs or for simple PWM generation when not needed for capture applications.

The enhanced quadrature encoder pulse (eQEP) module is used for direct interface with a linear or rotary incremental encoder to get position, direction, and speed information from a rotating machine as used in high-performance motion and position-control systems.

The device has two 12-bit-resolution MibADCs with 24 total channels and 64 words of parity protected buffer RAM each. The MibADC channels can be converted individually or can be grouped by software for sequential conversion sequences. Sixteen channels are shared between the two MibADCs. There are three separate groups. Each group can be converted once when triggered or configured for continuous conversion mode.

The device has multiple communication interfaces: three MibSPIs, two SPIs, one LIN, one SCI, three DCANs, one I<sup>2</sup>C, and one USB module.. The SPI provides a convenient method of serial interaction for high-speed communications between similar shift-register type devices. The LIN supports the Local Interconnect standard 2.0 and can be used as a UART in full-duplex mode using the standard Non-Return-to-Zero (NRZ) format. The DCAN supports the CAN 2.0B protocol standard and uses a serial,

multimaster communication protocol that efficiently supports distributed real-time control with robust communication rates of up to 1 megabit per second (Mbps). The DCAN is ideal for applications operating in noisy and harsh environments (e.g., automotive and industrial fields) that require reliable serial communication or multiplexed wiring. The USB module includes a 2-port USB host controller and a USB device controller

The I2C module is a multi-master communication module providing an interface between the microcontroller and an I2C compatible device via the I2C serial bus. The I2C supports both 100 Kbps and 400 Kbps speeds.

A frequency-modulated phase-locked loop (FMPLL) clock module is used to multiply the external frequency reference to a higher frequency for internal use. The FMPLL provides one of the seven possible clock source inputs to the global clock module (GCM). The GCM module manages the mapping between the available clock sources and the device clock domains.

The device also has an external clock prescaler (ECP) module that when enabled, outputs a continuous external clock on the ECLK terminal. The ECLK frequency is a user-programmable ratio of the peripheral interface clock (VCLK) frequency. This low frequency output can be monitored externally as an indicator of the device operating frequency.

The Direct Memory Access Controller (DMA) has 16 channels, 32 control packets and parity protection on its memory. A Memory Protection Unit (MPU) is built into the DMA to protect memory against erroneous transfers.

The Error Signaling Module (ESM) monitors all device errors and determines whether an interrupt or external Error pin/ball is triggered when a fault is detected. The nERROR terminal can be monitored externally as an indicator of a fault condition in the microcontroller.

The External Memory Interface (EMIF) provides a memory extension to asynchronous and synchronous memories or other slave devices.

A Parameter Overlay Module (POM) is included to enhance the calibration capabilities of application code. The POM can re-route Flash accesses to internal memory or to the EMIF, thus avoiding the re-programming steps necessary for parameter updates in Flash.

With integrated safety features and a wide choice of communication and control peripherals, the RM46Lx30 is an ideal solution for high performance real time control applications with safety critical requirements.

### 1.4 Functional Block Diagram

**NOTE**

The block diagram reflects the 337BGA package. Some pins are multiplexed or not available in the 144QFP. Please see the Terminal functions table for details.

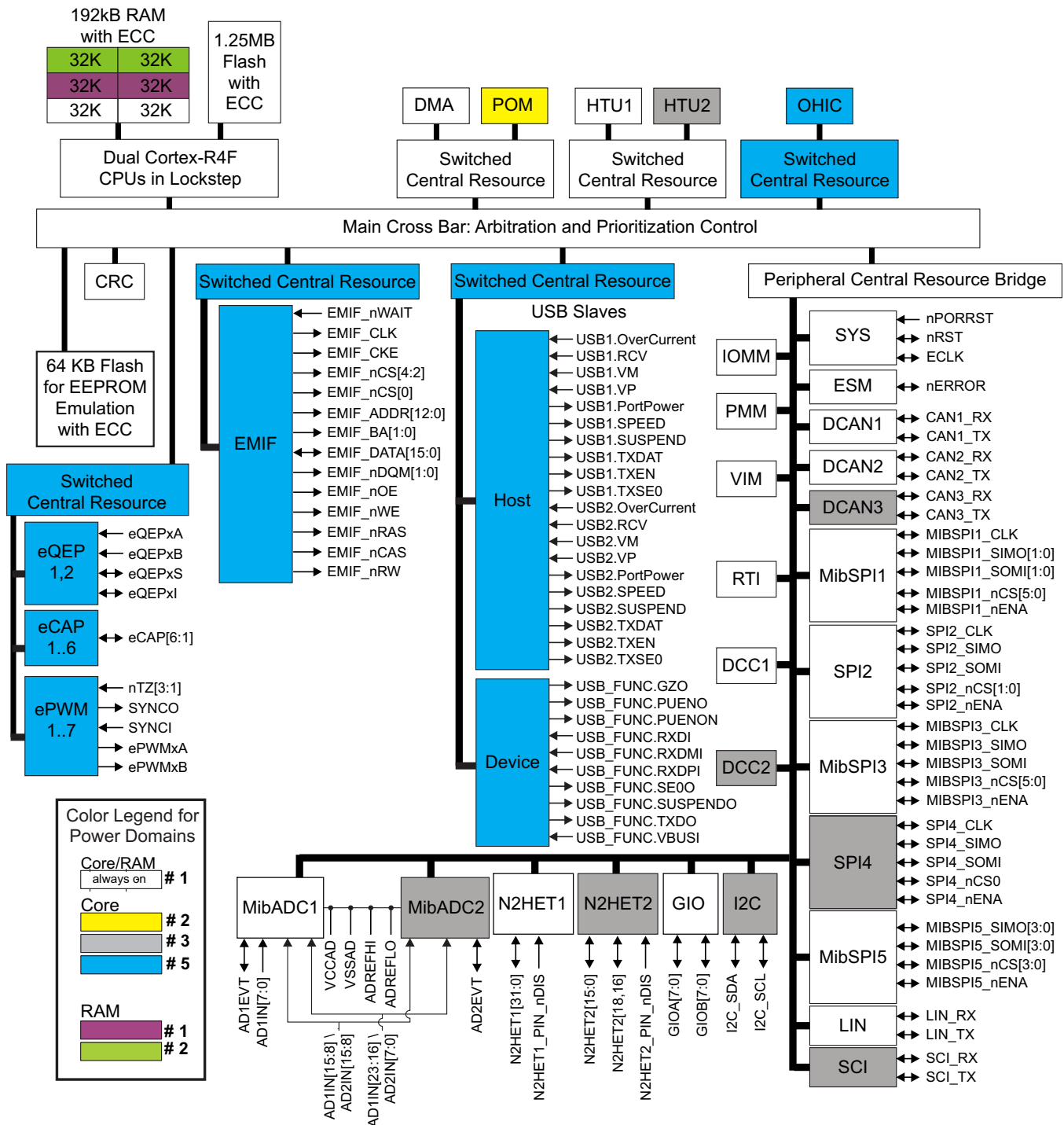


Figure 1-1. Functional Block Diagram

PRODUCT PREVIEW

**Table 1-1. Device Comparison Table**

Orderable Part #	Part #	Flash	RAM	EMAC	USB	Package
RM46L430PGET	RM46L430	1MB	128kB	-	Host + Device	144-Pin QFP
RM46L430ZWTT	RM46L430	1MB	128kB	-	Host + Device	337-Ball Grid Array
RM46L830PGET	RM46L830	1.25MB	192kB	-	Host + Device	144-Pin QFP
RM46L830ZWTT	RM46L830	1.25MB	192kB	-	Host + Device	337-Ball Grid Array

PRODUCT PREVIEW

<b>1</b>	<b>RM46Lx30 16/32-Bit RISC Flash Microcontroller</b>	<b><a href="#">1</a></b>	4.10	Flash Memory	<a href="#">77</a>
1.1	Features	<a href="#">1</a>	4.11	Tightly-Coupled RAM Interface Module	<a href="#">80</a>
1.2	Applications	<a href="#">2</a>	4.12	Parity Protection for Accesses to peripheral RAMs	<a href="#">80</a>
1.3	Description	<a href="#">3</a>	4.13	On-Chip SRAM Initialization and Testing	<a href="#">82</a>
1.4	Functional Block Diagram	<a href="#">5</a>	4.14	External Memory Interface (EMIF)	<a href="#">84</a>
<b>2</b>	<b>Device Package and Terminal Functions</b>	<b><a href="#">8</a></b>	4.15	Vectored Interrupt Manager	<a href="#">91</a>
2.1	PGE QFP Package Pinout (144-Pin)	<a href="#">8</a>	4.16	DMA Controller	<a href="#">95</a>
2.2	ZWT BGA Package Ball-Map (337 Ball Grid Array)	<a href="#">9</a>	4.17	Real Time Interrupt Module	<a href="#">98</a>
2.3	Terminal Functions	<a href="#">10</a>	4.18	Error Signaling Module	<a href="#">100</a>
<b>3</b>	<b>Device Operating Conditions</b>	<b><a href="#">43</a></b>	4.19	Reset / Abort / Error Sources	<a href="#">104</a>
3.1	Absolute Maximum Ratings Over Operating Free-Air Temperature Range,	<a href="#">43</a>	4.20	Digital Windowed Watchdog	<a href="#">107</a>
3.2	Device Recommended Operating Conditions	<a href="#">43</a>	4.21	Debug Subsystem	<a href="#">108</a>
3.3	Switching Characteristics over Recommended Operating Conditions for Clock Domains	<a href="#">44</a>	<b>5</b>	<b>Peripheral Information and Electrical Specifications</b>	<b><a href="#">113</a></b>
3.4	Wait States Required	<a href="#">44</a>	5.1	Enhanced Translator PWM Modules (ePWM)	<a href="#">113</a>
3.5	Power Consumption Over Recommended Operating Conditions	<a href="#">45</a>	5.2	Enhanced Capture Modules (eCAP)	<a href="#">118</a>
3.6	Input/Output Electrical Characteristics Over Recommended Operating Conditions	<a href="#">46</a>	5.3	Enhanced Quadrature Encoder (eQEP)	<a href="#">120</a>
3.7	Output Buffer Drive Strengths	<a href="#">46</a>	5.4	Multi-Buffered 12bit Analog-to-Digital Converter	<a href="#">122</a>
3.8	Input Timings	<a href="#">47</a>	5.5	General-Purpose Input/Output	<a href="#">133</a>
3.9	Output Timings	<a href="#">48</a>	5.6	Enhanced High-End Timer (N2HET)	<a href="#">134</a>
3.10	Low-EMI Output Buffers	<a href="#">50</a>	5.7	Controller Area Network (DCAN)	<a href="#">138</a>
<b>4</b>	<b>System Information and Electrical Specifications</b>	<b><a href="#">51</a></b>	5.8	Local Interconnect Network Interface (LIN)	<a href="#">139</a>
4.1	Device Power Domains	<a href="#">51</a>	5.9	Serial Communication Interface (SCI)	<a href="#">140</a>
4.2	Voltage Monitor Characteristics	<a href="#">51</a>	5.10	Inter-Integrated Circuit (I2C)	<a href="#">141</a>
4.3	Power Sequencing and Power On Reset	<a href="#">53</a>	5.11	Multi-Buffered / Standard Serial Peripheral Interface	<a href="#">144</a>
4.4	Warm Reset (nRST)	<a href="#">55</a>	5.12	Universal Serial Bus Controller	<a href="#">156</a>
4.5	ARM® Cortex-R4F™ CPU Information	<a href="#">56</a>	<b>6</b>	<b>Device and Documentation Support</b>	<b><a href="#">157</a></b>
4.6	Clocks	<a href="#">59</a>	6.1	Device and Development-Support Tool Nomenclature	<a href="#">157</a>
4.7	Clock Monitoring	<a href="#">67</a>	6.2	Community Resources	<a href="#">157</a>
4.8	Glitch Filters	<a href="#">69</a>	6.3	Device Identification	<a href="#">158</a>
4.9	Device Memory Map	<a href="#">70</a>	<b>7</b>	<b>Mechanical Data</b>	<b><a href="#">159</a></b>
			7.1	Thermal Data	<a href="#">159</a>
			7.2	Packaging Information	<a href="#">159</a>

## 2 Device Package and Terminal Functions

### 2.1 PGE QFP Package Pinout (144-Pin)

PRODUCT PREVIEW

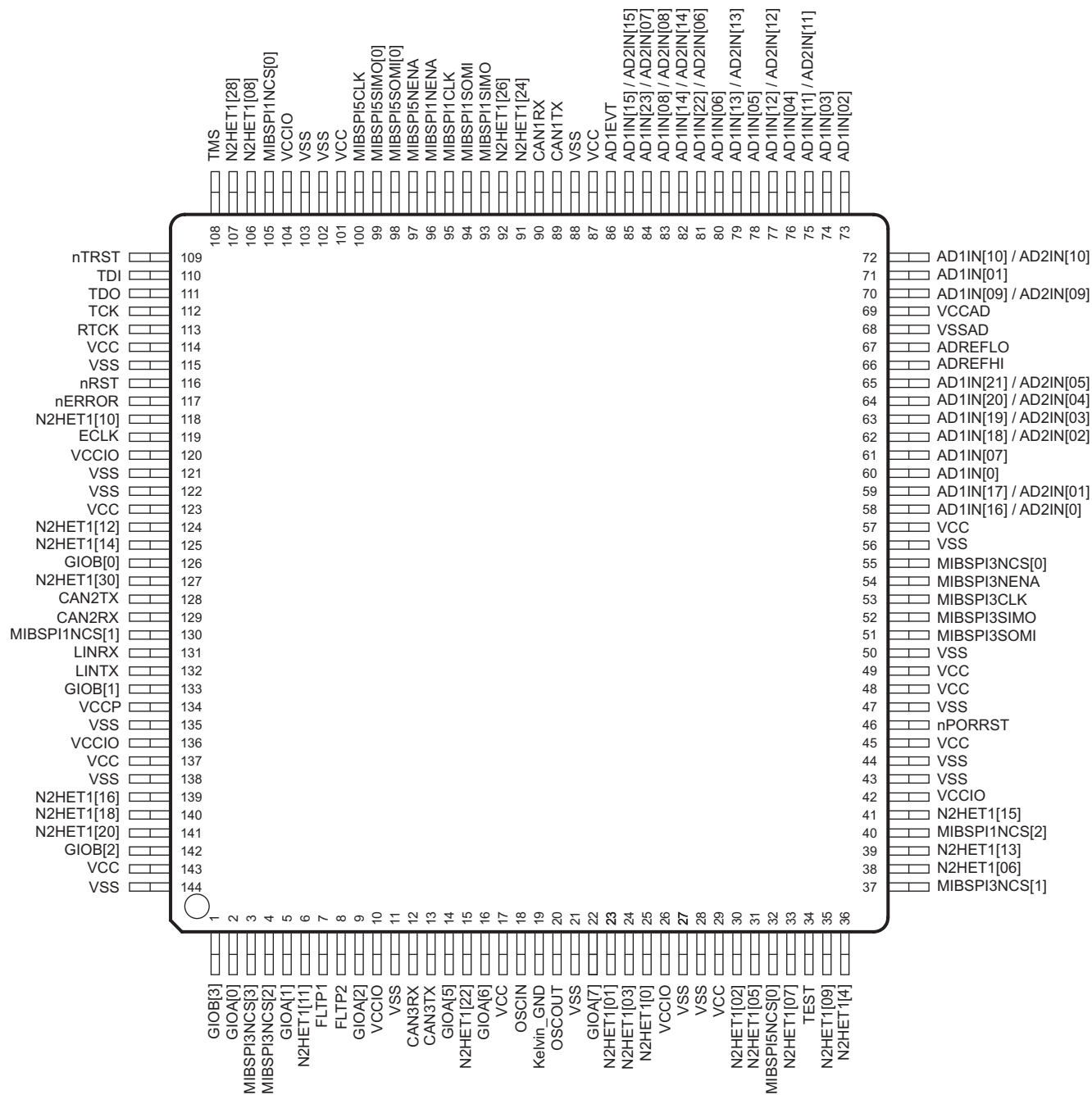


Figure 2-1. PGE QFP Package Pinout (144-Pin)

Note: Pins can have multiplexed functions. Only the default function is depicted in above diagram.



## 2.2 ZWT BGA Package Ball-Map (337 Ball Grid Array)

	A	B	C	D	E	F	G	H	J	K	L	M	N	P	R	T	U	V	W	
19	VSS	VSS	TMS	N2HET1 [10]	MIBSPI5 NCS[0]	MIBSPI1 SIMO	MIBSPI1 NENA	MIBSPI5 CLK	MIBSPI5 SIMO[0]	N2HET1 [28]	NC	CAN3RX	AD1EVT	AD1IN[15] / AD2IN[15]	AD1IN[22] / AD2IN[06]	AD1IN [06]	AD1IN[11] / AD2IN[11]	VSSAD	VSSAD	19
18	VSS	TCK	TDO	nTRST	N2HET1 [08]	MIBSPI1 CLK	MIBSPI1 SOMI	MIBSPI5 NENA	MIBSPI5 SOMI[0]	N2HET1 [0]	NC	CAN3TX	NC	AD1IN[08] / AD2IN[08]	AD1IN[14] / AD2IN[14]	AD1IN[13] / AD2IN[13]	AD1IN [04]	AD1IN [02]	VSSAD	18
17	TDI	nRST	NC	EMIF_nWE	MIBSPI5 SOMI[1]	NC	MIBSPI5 SIMO[3]	MIBSPI5 SIMO[2]	N2HET1 [31]	EMIF_nCS[3]	EMIF_nCS[2]	EMIF_nCS[4]	EMIF_nCS[0]	NC	AD1IN [05]	AD1IN [03]	AD1IN[10] / AD2IN[10]	AD1IN [01]	AD1IN[09] / AD2IN[09]	17
16	RTCK	NC	NC	EMIF_BA[1]	MIBSPI5 SIMO[1]	NC	MIBSPI5 SOMI[3]	MIBSPI5 SOMI[2]	NC	NC	NC	NC	NC	NC	AD1IN[23] / AD2IN[07]	AD1IN[12] / AD2IN[12]	AD1IN[19] / AD2IN[03]	ADREFLO	VSSAD	16
15	NC	NC	NC	NC	NC	NC	NC	NC	NC	EMIF_DATA[0]	EMIF_DATA[1]	EMIF_DATA[2]	EMIF_DATA[3]	NC	NC	AD1IN[21] / AD2IN[05]	AD1IN[20] / AD2IN[04]	ADREFHI	VCCAD	15
14	N2HET1 [26]	nERROR	NC	NC	NC	VCCIO	VCCIO	VCCIO	VCC	VCC	VCCIO	VCCIO	VCCIO	VCCIO	NC	NC	AD1IN[18] / AD2IN[02]	AD1IN [07]	AD1IN [0]	14
13	N2HET1 [17]	N2HET1 [19]	NC	NC	EMIF_BA[0]	VCCIO								VCCIO	NC	NC	AD1IN[17] / AD2IN[01]	AD1IN[16] / AD2IN[0]	NC	13
12	ECLK	N2HET1 [04]	NC	NC	EMIF_nOE	VCCIO		VSS	VSS	VCC	VSS	VSS		VCCIO	NC	MIBSPI5 NCS[3]	NC	NC	NC	12
11	N2HET1 [14]	N2HET1 [30]	NC	NC	EMIF_nDQM[1]	VCCIO		VSS	VSS	VSS	VSS	VSS		VCCPLL	NC	NC	NC	NC	NC	11
10	CAN1TX	CAN1RX	EMIF_ADDR[12]	NC	EMIF_nDQM[0]	VCC		VCC	VSS	VSS	VSS	VCC		VCC	NC	NC	NC	MIBSPI3 NCS[0]	GIOB[3]	10
9	N2HET1 [27]	NC	EMIF_ADDR[11]	NC	EMIF_ADDR[5]	VCC		VSS	VSS	VSS	VSS	VSS		VCCIO	EXTCLKI N2	NC	NC	MIBSPI3 CLK	MIBSPI3 NENA	9
8	NC	NC	EMIF_ADDR[10]	NC	EMIF_ADDR[4]	VCCP		VSS	VSS	VCC	VSS	VSS		VCCIO	EMIF_DATA[15]	NC	NC	MIBSPI3 SOMI	MIBSPI3 SIMO	8
7	LINRX	LINTX	EMIF_ADDR[9]	NC	EMIF_ADDR[3]	VCCIO								VCCIO	EMIF_DATA[14]	NC	NC	N2HET1 [09]	nPORRST	7
6	GIOA[4]	MIBSPI5 NCS[1]	EMIF_ADDR[8]	NC	EMIF_ADDR[2]	VCCIO	VCCIO	VCCIO	VCCIO	VCC	VCC	VCCIO	VCCIO	VCCIO	EMIF_DATA[13]	NC	NC	N2HET1 [05]	MIBSPI5 NCS[2]	6
5	GIOA[0]	GIOA[5]	EMIF_ADDR[7]	EMIF_ADDR[1]	EMIF_DATA[4]	EMIF_DATA[5]	EMIF_DATA[6]	FLTP2	FLTP1	EMIF_DATA[7]	EMIF_DATA[8]	EMIF_DATA[9]	EMIF_DATA[10]	EMIF_DATA[11]	EMIF_DATA[12]	NC	NC	MIBSPI3 NCS[1]	N2HET1 [02]	5
4	N2HET1 [16]	N2HET1 [12]	EMIF_ADDR[6]	EMIF_ADDR[0]	NC	NC	NC	N2HET1 [21]	N2HET1 [23]	NC	NC	NC	NC	NC	EMIF_nCAS	NC	NC	NC	NC	4
3	N2HET1 [29]	N2HET1 [22]	MIBSPI3 NCS[3]	SPI2 NENA	N2HET1 [11]	MIBSPI1 NCS[1]	MIBSPI1 NCS[2]	GIOA[6]	MIBSPI1 NCS[3]	EMIF_CLK	EMIF_CKE	N2HET1 [25]	SPI2 NCS[0]	EMIF_nWAIT	EMIF_nRAS	NC	NC	NC	N2HET1 [06]	3
2	VSS	MIBSPI3 NCS[2]	GIOA[1]	SPI2 SOMI	SPI2 CLK	GIOB[2]	GIOB[5]	CAN2TX	GIOB[6]	GIOB[1]	KELVIN_GND	GIOB[0]	N2HET1 [13]	N2HET1 [20]	MIBSPI1 NCS[0]	NC	TEST	N2HET1 [01]	VSS	2
1	VSS	VSS	GIOA[2]	SPI2 SIMO	GIOA[3]	GIOB[7]	GIOB[4]	CAN2RX	N2HET1 [18]	OSCIN	OSCOU	GIOA[7]	N2HET1 [15]	N2HET1 [24]	NC	N2HET1 [07]	N2HET1 [03]	VSS	VSS	1

PRODUCT PREVIEW

Figure 2-2. ZWT Package Pinout. Top View

Note: Balls can have multiplexed functions. Only the default function is depicted in above diagram.

## 2.3 Terminal Functions

Section 2.3.1 and Section 2.3.2 identify the external signal names, the associated pin/ball numbers along with the mechanical package designator, the pin/ball type (Input, Output, IO, Power or Ground), whether the pin/ball has any internal pullup/pulldown, whether the pin/ball can be configured as a GIO, and a functional pin/ball description. The first signal name listed is the primary function for that terminal. The signal name in Bold is the function being described. Refer to the I/O Multiplexing Module (IOMM) User Guide for information on how to select between different multiplexed functions.

### NOTE

All I/O signals except nRST are configured as inputs while nPORRST is low and immediately after nPORRST goes High.

All output-only signals are configured as inputs while nPORRST is low, and are configured as outputs immediately after nPORRST goes High.

While nPORRST is low, the input buffers are disabled, and the output buffers are tri-stated.

### 2.3.1 PGE Package

#### 2.3.1.1 Multi-Buffered Analog-to-Digital Converters (MibADC)

Table 2-1. PGE Multi-Buffered Analog-to-Digital Converters (MibADC1, MibADC2)

Terminal		Signal Type	Default Pull State	Pull Type	Description
Signal Name	144 PGE				
ADREFHI <sup>(1)</sup>	66	Power	-	-	ADC high reference supply
ADREFLO <sup>(1)</sup>	67	Power	-	-	ADC low reference supply
VCCAD <sup>(1)</sup>	69	Power	-	-	Operating supply for ADC
VSSAD <sup>(1)</sup>	68	Ground	-	-	
AD1EVT	86	Input	Pull Down	Programmable, 20uA	ADC1 event trigger input, or GIO
MIBSPI3NCS[0]/AD2EVT/GIOB[2]/EQEP1I/N2HET2_PIN_nDIS	55	I/O	Pull Up	Programmable, 20uA	ADC2 event trigger input, or GIO
AD1IN[0]	60	Input	-	-	ADC1 analog input
AD1IN[01]	71				
AD1IN[02]	73				
AD1IN[03]	74				
AD1IN[04]	76				
AD1IN[05]	78				
AD1IN[06]	80				
AD1IN[07]	61				

(1) The ADREFHI, ADREFLO, VCCAD and VSSAD connections are common for both ADC cores.

**Table 2-1. PGE Multi-Buffered Analog-to-Digital Converters (MibADC1, MibADC2) (continued)**

Terminal		Signal Type	Default Pull State	Pull Type	Description
Signal Name	144 PGE				
AD1IN[08] / AD2IN[08]	83	Input	-	-	ADC1/ADC2 shared analog inputs
AD1IN[09] / AD2IN[09]	70				
AD1IN[10] / AD2IN[10]	72				
AD1IN[11] / AD2IN[11]	75				
AD1IN[12] / AD2IN[12]	77				
AD1IN[13] / AD2IN[13]	79				
AD1IN[14] / AD2IN[14]	82				
AD1IN[15] / AD2IN[15]	85				
AD1IN[16] / AD2IN[0]	58				
AD1IN[17] / AD2IN[01]	59				
AD1IN[18] / AD2IN[02]	62				
AD1IN[19] / AD2IN[03]	63				
AD1IN[20] / AD2IN[04]	64				
AD1IN[21] / AD2IN[05]	65				
AD1IN[22] / AD2IN[06]	81				
AD1IN[23] / AD2IN[07]	84				
MIBSPI3SOMI/AWM1_EXT_ENA/ECAP2	51	Output	Pull Up	-	AWM1 external analog mux enable
MIBSPI3SIMO/AWM1_EXT_SEL[0]/ECAP3	52	Output	Pull Up	-	AWM1 external analog mux select line0
MIBSPI3CLK/AWM1_EXT_SEL[1]/EQEP1A	53	Output	Pull Up	-	AWM1 external analog mux select line0

### 2.3.1.2 Enhanced High-End Timer Modules (N2HET)

**Table 2-2. PGE Enhanced High-End Timer Modules (N2HET)**

Terminal		Signal Type	Default Pull State	Pull Type	Description	
Signal Name	144 PGE					
N2HET1[0]/SPI4CLK/EPWM2B	25	I/O	Pull Down	Programmable, 20uA	N2HET1 time input capture or output compare, or GIO.  Each terminal has a suppression filter that ignores input pulses smaller than a programmable duration.	
N2HET1[01]/SPI4NENA/USB2.TXEN/ USB_FUNC.PUENO/N2HET2[8]/EQEP2A	23					
N2HET1[02]/SPI4SIMO/EPWM3A	30					
N2HET1[03]/SPI4NCS[0]/USB2.SPEED/ USB_FUNC.PUENON/N2HET2[10]/EQEP2B	24					
N2HET1[04]/EPWM4B	36					
N2HET1[05]/SPI4SOMI/N2HET2[12]/EPWM3B	31					
N2HET1[06]/SCIRX/EPWM5A	38					
N2HET1[07]/USB2.PortPower/USB_FUNC.GZO/ N2HET2[14]/EPWM7B	33					
N2HET1[08]/MIBSPI1SIMO[1]/ USB1.OverCurrent	106					
N2HET1[09]/N2HET2[16]/USB2.SUSPEND/ USB_FUNC.SUSPENDO/EPWM7A	35					
N2HET1[10]/USB1.TXEN /nTZ3	118					
N2HET1[11]/MIBSPI3NCS[4]/N2HET2[18]/ USB2.OverCurrent/USB_FUNC.VBUSI/EPWM1SYNCO	6					
N2HET1[12]	124					
N2HET1[13]/SCITX/EPWM5B	39					
N2HET1[14]/USB1.TXSE0	125					
N2HET1[15]/MIBSPI1NCS[4]/ECAP1	41					
N2HET1[16]/EPWM1SYNCO/EPWM1SYNCO	139					
MIBSPI1NCS[1]/N2HET1[17]/ USB1.SUSPEND/EQEP1S	130					Pull Up
N2HET1[18]/EPWM6A	140					Pull Down
MIBSPI1NCS[2]/N2HET1[19]	40					Pull Up
N2HET1[20]/EPWM6B	141	Pull Down				
N2HET1[22]/USB2.TXSE0/USB_FUNC.SE0O	15	Pull Up				
MIBSPI1NENA/N2HET1[23]/ USB1.VP/ECAP4	96					
N2HET1[24]/MIBSPI1NCS[5]	91	Pull Down				
MIBSPI3NCS[1]/N2HET1[25]/MDCLK	37	Pull Up				
N2HET1[26]	92	Pull Down				
MIBSPI3NCS[2]/I2C_SDA/N2HET1[27]	4	Pull Up				
N2HET1[28]	107	Pull Down				
MIBSPI3NCS[3]/I2C_SCL/N2HET1[29]/nTZ1	3	Pull Up				
N2HET1[30]/USB1.SPEED/EQEP2S	127	Pull Down				
MIBSPI3NENA/MIBSPI3NCS[5]/N2HET1[31]	54	Pull Up				
GIOA[5]/EXTCLKIN/EPWM1A/N2HET1_PIN_nDIS	14	Pull Down				

PRODUCT PREVIEW

**Table 2-2. PGE Enhanced High-End Timer Modules (N2HET) (continued)**

Terminal		Signal Type	Default Pull State	Pull Type	Description
Signal Name	144 PGE				
GIOA[2]/USB2.TXDAT/USB_FUNC.TXDO/ <b>N2HET2[0]</b> /EQEP2I	9	I/O	Pull Down	Programmable, 20uA	N2HET2 time input capture or output compare, or GIO  Each terminal has a suppression filter that ignores input pulses smaller than a programmable duration.
GIOA[6]/ <b>N2HET2[4]</b> /EPWM1B	16				
GIOA[7]/ <b>N2HET2[6]</b> /EPWM2A	22				
N2HET1[01]/SPI4NENA/USB2.TXEN/ USB_FUNC.PUENO/ <b>N2HET2[8]</b>	23				
N2HET1[03]/SPI4NCS[0]/USB2.SPEED/ USB_FUNC.PUENON/ <b>N2HET2[10]</b> /EQEP2B	24				
N2HET1[05]/SPI4SOMI/ <b>N2HET2[12]</b>	31				
N2HET1[07]/USB2.PortPower/USB_FUNC.GZO/ <b>N2HET2[14]</b> /EPWM7B	33				
N2HET1[09]/ <b>N2HET2[16]</b> /USB2.SUSPEND/ USB_FUNC.SUSPENDO	35				
N2HET1[11]/MIBSPI3NCS[4]/ <b>N2HET2[18]</b> / USB2.OverCurrent/USB_FUNC.VBUSI/EPWM1SYNCO	6				
MIBSPI3NCS[0]/AD2EVT/GIOB[2]/EQEP1I/ <b>N2HET2_PIN_n DIS</b>	55	Pull Up			

### 2.3.1.3 Enhanced Capture Modules (eCAP)

**Table 2-3. PGE Enhanced Capture Modules (eCAP)<sup>(1)</sup>**

Terminal		Signal Type	Default Pull State	Pull Type	Description
Signal Name	144 PGE				
NHET1[15]/MIBSPI1NCS[4]/ <b>ECAP1</b>	41	I/O	Pull Down	Fixed, 20uA	Enhanced Capture Module 1 I/O
MIBSPI3SOMI/AWM1_EXT_ENA/ <b>ECAP2</b>	51		Pull Up		Enhanced Capture Module 2 I/O
MIBSPI3SIMO/AWM1_EXT_SEL[0]/ <b>ECAP3</b>	52		Enhanced Capture Module 3 I/O		
MIBSPI1NENA/N2HET1[23]/ USB1.VP/ <b>ECAP4</b>	96		Enhanced Capture Module 4 I/O		
MIBSPI5NENA/USB1.VM/MIBSPI5SOMI[1]/ <b>ECAP5</b>	97		Enhanced Capture Module 5 I/O		
MIBSPI1NCS[0]/MIBSPI1SOMI[1]/ USB1.RCV/ <b>ECAP6</b>	105		Enhanced Capture Module 6 I/O		

(1) These signals, when used as inputs, are double-synchronized and then optionally filtered with a 6-cycle VCLK4-based counter.

### 2.3.1.4 Enhanced Quadrature Encoder Pulse Modules (eQEP)

**Table 2-4. PGE Enhanced Quadrature Encoder Pulse Modules (eQEP)<sup>(1)</sup>**

Terminal		Signal Type	Default Pull State	Pull Type	Description
Signal Name	144 PGE				
MIBSPI3CLK/AWM1_EXT_SEL[1]/ <b>EQEP1A</b>	53	Input	Pull Up	Fixed, 20uA	Enhanced QEP1 Input A
MIBSPI3NENA/MIBSPI3NCS[5]/N2HET1[31]/ <b>EQEP1B</b>	54	Input			Enhanced QEP1 Input B
MIBSPI3NCS[0]/AD2EVT/GIOB[2]/ <b>EQEP1I</b> /N2HET2_PIN_nDIS	55	I/O			Enhanced QEP1 Index
MIBSPI1NCS[1]/N2HET1[17]/ /USB1.SUSPEND / <b>EQEP1S</b>	130	I/O			Enhanced QEP1 Strobe
N2HET1[01]/SPI4NENA/USB2.TXEN/ USB_FUNC.PUENO/N2HET2[8]/ <b>EQEP2A</b>	23	Input	Pull Down		Enhanced QEP2 Input A
N2HET1[03]/SPI4NCS[0]/USB2.SPEED/ USB_FUNC.PUENON/N2HET2[10]/ <b>EQEP2B</b>	24	Input			Enhanced QEP2 Input B
GIOA[2]/USB2.TXDAT/USB_FUNC.TXDO/N2HET2[0]/ <b>EQEP2I</b>	9	I/O			Enhanced QEP2 Index
N2HET1[30]/USB1.SPEED/ <b>EQEP2S</b>	127	I/O			Enhanced QEP2 Strobe

(1) These signals are double-synchronized and then optionally filtered with a 6-cycle VCLK4-based counter.

### 2.3.1.5 Enhanced Pulse-Width Modulator Modules (ePWM)

**Table 2-5. PGE Enhanced Pulse-Width Modulator Modules (ePWM)**

Terminal		Signal Type	Default Pull State	Pull Type	Description	
Signal Name	144 PGE					
GIOA[5]/EXTCLKIN/EPWM1A/N2HET1_PIN_nDIS	14	Output	Pull Down	-	Enhanced PWM1 Output A	
GIOA[6]/N2HET2[4]/EPWM1B	16				Enhanced PWM1 Output B	
N2HET1[11]/MIBSPI3NCS[4]/N2HET2[18]/USB2.OverCurrent/USB_FUNC.VBUSI/EPWM1SYNCO	6				External ePWM Sync Pulse Output	
N2HET1[16]/EPWM1SYNCI/EPWM1SYNCO	139				External ePWM Sync Pulse Output	
GIOA[7]/N2HET2[6]/EPWM2A	22				Enhanced PWM2 Output A	
N2HET1[0]/SPI4CLK/EPWM2B	25				Enhanced PWM2 Output B	
N2HET1[02]/SPI4SIMO/EPWM3A	30				Enhanced PWM3 Output A	
N2HET1[05]/SPI4SOMI/N2HET2[12]/EPWM3B	31				Enhanced PWM3 Output B	
MIBSPI5NCS[0]/EPWM4A	32				Pull Up	Enhanced PWM4 Output A
N2HET1[04]/EPWM4B	36				Pull Down	Enhanced PWM4 Output B
N2HET1[06]/SCIRX/EPWM5A	38				Enhanced PWM5 Output A	
N2HET1[13]/SCITX/EPWM5B	39				Enhanced PWM5 Output B	
N2HET1[18]/EPWM6A	140				Enhanced PWM6 Output A	
N2HET1[20]/EPWM6B	141				Enhanced PWM6 Output B	
N2HET1[09]/N2HET2[16]/USB2.SUSPEND/USB_FUNC.SUSPENDO/EPWM7A	35				Enhanced PWM7 Output A	
N2HET1[07]/USB2.PortPower/USB_FUNC.GZO/N2HET2[14]/EPWM7B	33	Enhanced PWM7 Output B				
MIBSPI3NCS[3]/I2C_SCL/N2HET1[29]/nTZ1	3	Input	Pull Up	Fixed, 20uA	Trip Zone Inputs 1, 2 and 3. These signals are either connected asynchronously to the ePWMx trip zone inputs, or double-synchronized with VCLK4, or double-synchronized and then filtered with a 6-cycle VCLK4-based counter before connecting to the ePWMx trip zone inputs.	
MIBSPI3NCS[2]/I2C_SDA/N2HET1[27]/nTZ2	4					
N2HET1[10]/USB1.TXEN/nTZ3	118		Pull Down			

**PRODUCT PREVIEW**

### 2.3.1.6 General-Purpose Input / Output (GIO)

**Table 2-6. PGE General-Purpose Input / Output (GIO)**

Terminal		Signal Type	Default Pull State	Pull Type	Description
Signal Name	144 PGE				
GIOA[0]/USB2.VP/USB_FUNC.RXDPI	2	I/O	Pull Down	Programmable, 20uA	General-purpose I/O. All GIO terminals are capable of generating interrupts to the CPU on rising / falling / both edges.
GIOA[1]/USB2.VM/USB_FUNC.RXDMI	5				
GIOA[2]/USB2.TXDAT/USB_FUNC.TXDO/N2HET2[0]/EQEP2II	9				
GIOA[5]/EXTCLKIN/EPWM1A/N2HET1_PIN_nDIS	14				
GIOA[6]/N2HET2[4]/EPWM1B	16				
GIOA[7]/N2HET2[6]/EPWM2A	22				
GIOB[0]/USB1.TXDAT	126				
GIOB[1]/USB1.PortPower	133				
GIOB[2]	142				
MIBSPI3NCS[0]/AD2EVT/GIOB[2]/EQEP11/N2HET2_PIN_nDIS	55 <sup>(1)</sup>				
GIOB[3]/USB2.RCV/USB_FUNC.RXDI	1	Pull Down			

(1) GIOB[2] cannot output a level on to pin 55. Only the input functionality is supported so that the application can generate an interrupt whenever the N2HET2\_PIN\_nDIS is asserted (driven low). Also, a pull up is enabled on the input. This is not programmable using the GIO module control registers.

### 2.3.1.7 Controller Area Network Controllers (DCAN)

**Table 2-7. PGE Controller Area Network Controllers (DCAN)**

Terminal		Signal Type	Default Pull State	Pull Type	Description
Signal Name	144 PGE				
CAN1RX	90	I/O	Pull Up	Programmable, 20uA	CAN1 receive, or GIO
CAN1TX	89				CAN1 transmit, or GIO
CAN2RX	129				CAN2 receive, or GIO
CAN2TX	128				CAN2 transmit, or GIO
CAN3RX	12				CAN3 receive, or GIO
CAN3TX	13				CAN3 transmit, or GIO

### 2.3.1.8 Local Interconnect Network Interface Module (LIN)

**Table 2-8. PGE Local Interconnect Network Interface Module (LIN)**

Terminal		Signal Type	Default Pull State	Pull Type	Description
Signal Name	144 PGE				
LINRX	131	I/O	Pull Up	Programmable, 20uA	LIN receive, or GIO
LINTX	132				LIN transmit, or GIO



### 2.3.1.9 Standard Serial Communication Interface (SCI)

**Table 2-9. PGE Standard Serial Communication Interface (SCI)**

Terminal		Signal Type	Default Pull State	Pull Type	Description
Signal Name	144 PGE				
N2HET1[06]/ <b>SCIRX</b> /EPWM5A	38	I/O	Pull Down	Programmable, 20uA	SCI receive, or GIO
N2HET1[13]/ <b>SCITX</b> /EPWM5B	39				SCI transmit, or GIO

### 2.3.1.10 Inter-Integrated Circuit Interface Module (I2C)

**Table 2-10. PGE Inter-Integrated Circuit Interface Module (I2C)**

Terminal		Signal Type	Default Pull State	Pull Type	Description
Signal Name	144 PGE				
MIBSPI3NCS[2]/ <b>I2C_SDA</b> /N2HET1[27]/nTZ2	4	I/O	Pull Up	Programmable, 20uA	I2C serial data, or GIO
MIBSPI3NCS[3]/ <b>I2C_SCL</b> /N2HET1[29]/nTZ1	3				I2C serial clock, or GIO

### 2.3.1.11 Standard Serial Peripheral Interface (SPI)

**Table 2-11. PGE Standard Serial Peripheral Interface (SPI)**

Terminal		Signal Type	Default Pull State	Pull Type	Description
Signal Name	144 PGE				
N2HET1[0]/ <b>SPI4CLK</b> /EPWM2B	25	I/O	Pull Down	Programmable, 20uA	SPI4 clock, or GIO
N2HET1[03]/ <b>SPI4NCS[0]</b> /N2HET2[10]/EQEP2B	24				SPI4 chip select, or GIO
N2HET1[01]/ <b>SPI4NENA</b> /N2HET2[8]/EQEP2A	23				SPI4 enable, or GIO
N2HET1[02]/ <b>SPI4SIMO</b> /EPWM3A	30				SPI4 slave-input master-output, or GIO
N2HET1[05]/ <b>SPI4SOMI</b> /N2HET2[12]/EPWM3B	31				SPI4 slave-output master-input, or GIO

2.3.1.12 Multi-Buffered Serial Peripheral Interface Modules (MibSPI)

Table 2-12. PGE Multi-Buffered Serial Peripheral Interface Modules (MibSPI)

Terminal		Signal Type	Default Pull State	Pull Type	Description
Signal Name	144 PGE				
MIBSPI1CLK	95	I/O	Pull Up	Programmable, 20uA	MibSPI1 clock, or GIO
MIBSPI1NCS[0]/MIBSPI1SOMI[1]/USB1.RCV/ECAP6	105				MibSPI1 chip select, or GIO
MIBSPI1NCS[1]/N2HET1[17]/USB1.SUSPEND /EQEP1S	130				
MIBSPI1NCS[2]/N2HET1[19]/N2HET1[15]/MIBSPI1NCS[4]/ECAP1	41				
N2HET1[24]/MIBSPI1NCS[5]	91				
MIBSPI1NENA/N2HET1[23]/USB1.VP/ECAP4	96		Pull Down	Programmable, 20uA	MibSPI1 chip select, or GIO
MIBSPI1SIMO	93		Pull Up	Programmable, 20uA	MibSPI1 enable, or GIO
N2HET1[08]/MIBSPI1SIMO[1]/USB1.OverCurrent	106				MibSPI1 slave-in master-out, or GIO
MIBSPI1SOMI	94		Pull Down	Programmable, 20uA	MibSPI1 slave-in master-out, or GIO
MIBSPI1NCS[0]/MIBSPI1SOMI[1]/USB1.RCV/ECAP6	105		Pull Up	Programmable, 20uA	MibSPI1 slave-out master-in, or GIO
MIBSPI3CLK/AWM1_EXT_SEL[1]/EQEP1A	53	I/O	Pull Up	Programmable, 20uA	MibSPI3 clock, or GIO
MIBSPI3NCS[0]/AD2EVT/GIOB[2]/EQEP11/N2HET2_PIN_nDIS	55				MibSPI3 chip select, or GIO
MIBSPI3NCS[1]/N2HET1[25]/MDCLK	37				
MIBSPI3NCS[2]/I2C_SDA/N2HET1[27]/nTZ2	4				
MIBSPI3NCS[3]/I2C_SCL/N2HET1[29]/nTZ1	3				
N2HET1[11]/MIBSPI3NCS[4]/N2HET2[18]/USB2.OverCurrent/USB_FUNC.VBUSI/EPWM1SYNCO	6		Pull Down	Programmable, 20uA	MibSPI3 chip select, or GIO
MIBSPI3NENA /MIBSPI3NCS[5]/N2HET1[31]/EQEP1B	54		Pull Up	Programmable, 20uA	MibSPI3 chip select, or GIO
MIBSPI3NENA/MIBSPI3NCS[5]/N2HET1[31]/EQEP1B	54				MibSPI3 enable, or GIO
MIBSPI3SIMO/AWM1_EXT_SEL[0]/ECAP3	52				MibSPI3 slave-in master-out, or GIO
MIBSPI3SOMI/AWM1_EXT_ENA/ECAP2	51				MibSPI3 slave-out master-in, or GIO
MIBSPI5CLK	100	I/O	Pull Up	Programmable, 20uA	MibSPI5 clock, or GIO
MIBSPI5NCS[0]/EPWM4A	32				MibSPI5 chip select, or GIO
MIBSPI5NENA/USB1.VM/MIBSPI5SOMI[1]/ECAP5	97				MibSPI5 enable, or GIO
MIBSPI5SIMO[0]/MIBSPI5SOMI[2]	99				MibSPI5 slave-in master-out, or GIO
MIBSPI5SOMI[0]	98				MibSPI5 slave-out master-in, or GIO
MIBSPI5NENA/USB1.VM/MIBSPI5SOMI[1]/ECAP5	97				MibSPI5 SOMI, or GIO
MIBSPI5SIMO[0]/MIBSPI5SOMI[2]	99				MibSPI5 SOMI, or GIO

PRODUCT PREVIEW

### 2.3.1.13 USB Host Port Controller Interface

**Table 2-13. PGE USB Host Port Controller Interface (USB1, USB2)**

Terminal		Signal Type	Default Pull State	Pull Type	Description
Signal Name	144 PGE				
N2HET1[08]/MIBSPI1SIMO[1] /USB1.OverCurrent	106	Input	Pull Down	Fixed, 20uA	Overcurrent indication from USB power switch
MIBSPI1NCS[0]/MIBSPI1SOMI[1]/ USB1.RCV/ECAP6	105		Pull Up	Fixed, 20uA	Receive data from USB port transceiver
MIBSPI5NENA/USB1.VM	97				NRZI encoded D-minus from USB port transceiver
MIBSPI1NENA/N2HET1[23]/ USB1.VP/ECAP4	96				NRZI encoded D-plus from USB port transceiver
GIOB[1]/USB1.PortPower	133	Output	Pull Down	-	
N2HET1[30]/USB1.SPEED	127				Transmit speed indication
MIBSPI1NCS[1]/N2HET1[17]/ USB1.SUSPEND/EQEP1S	130		Pull Up	-	
GIOB[0]/USB1.TXDAT	126		Pull Down	-	
N2HET1[10]/USB1.TXEN	118				Transmit enable to port transceiver
N2HET1[14]/USB1.TXSE0	125				Single-ended zero to port transceiver
N2HET1[11]/MIBSPI3NCS[4]/N2HET2[18]/ USB2.OverCurrent/USB_FUNC.VBUSI/EPWM1SYNCO	6		Input	Pull Down	Fixed, 20uA
GIOB[3]/USB2.RCV/USB_FUNC.RXDI	1	Pull Down		Fixed, 20uA	
GIOA[1]/USB2.VM/USB_FUNC.RXDMI	5				NRZI encoded D-minus from USB port transceiver
GIOA[0]/USB2.VP/USB_FUNC.RXDPI	2				NRZI encoded D-plus from USB port transceiver
N2HET1[07]/USB2.PortPower/ USB_FUNC.GZO/N2HET2[14]/EPWM7B	33	Output	Pull Down	-	
N2HET1[03]/SPI4NCS[0]/USB2.SPEED/ USB_FUNC.PUENON/N2HET2[10]	24				Transmit speed indication
N2HET1[09]/N2HET2[16]/USB2.SUSPEND/ USB_FUNC.SUSPENDO	35				Port suspend indication
GIOA[2]/USB2.TXDAT/USB_FUNC.TXDO/N2HET2[0]/EQEP2I	9				NRZI encoded D-plus to port transceiver
N2HET1[01]/SPI4NENA/USB2.TXEN/ USB_FUNC.PUENO/N2HET2[8]	23				Transmit enable to port transceiver
N2HET1[22]/USB2.TXSE0/USB_FUNC.SE0O	15				Single-ended zero to port transceiver

**Table 2-14. PGE USB Device Port Controller Interface (USB\_FUNC)**

Terminal		Signal Type	Default Pull State	Pull Type	Description
Signal Name	144 PGE				
N2HET1[07]/USB2.PortPower/USB_FUNC.GZO/N2HET2[14]	33	Output	Pull Down	-	Pull Up enable, allows for software-programmable USB device connect/disconnect
N2HET1[01]/SPI4NENA/USB2.TXEN/USB_FUNC.PUENO/ N2HET2[8]	23				PUENO inverted
N2HET1[03]/SPI4NCS[0]/USB2.SPEED/USB_FUNC.PUENON/ N2HET2[10]/EQEP2B	24				

**Table 2-14. PGE USB Device Port Controller Interface (USB\_FUNC) (continued)**

Terminal		Signal Type	Default Pull State	Pull Type	Description
Signal Name	144 PGE				
GIOB[3]/USB2.RCV/ <b>USB_FUNC.RXDI</b>	1	Input	Pull Down	Fixed, 20uA	USB device single-ended data input
GIOA[1]/USB2.VM/ <b>USB_FUNC.RXDMI</b>	5				USB device logic value of D-minus
GIOA[0]/USB2.VP/ <b>USB_FUNC.RXDPI</b>	2				USB device logic value of D-plus
N2HET1[22]/USB2.TXSE0/ <b>USB_FUNC.SE00</b>	15	Output	Pull Down	-	USB device single-ended zero
N2HET1[09]/N2HET2[16]/USB2.SUSPEND/ <b>USB_FUNC.SUSPENDO</b>	35				USB device suspend output
GIOA[2]/USB2.TXDAT/ <b>USB_FUNC.TXDO</b> /N2HET2[0]	9				USB device transmit data
N2HET1[11]/MIBSPI3NCS[4]/N2HET2[18]/USB2.OverCurrent/ <b>USB_FUNC.VBUSI</b> /EPWM1SYNCO	6	Input	Pull Down	Fixed, 20uA	USB device power connected

**2.3.1.14 System Module Interface**

**Table 2-15. PGE System Module Interface**

Terminal		Signal Type	Default Pull State	Pull Type	Description
Signal Name	144 PGE				
nPORRST	46	Input	Pull Down	100uA	Power-on reset, cold reset External power supply monitor circuitry must drive nPORRST low when any of the supplies to the microcontroller fall out of the specified range. This terminal has a glitch filter. See <a href="#">Section 4.8</a> .
nRST	116	I/O	Pull Up	100uA	System reset, warm reset, bidirectional. The internal circuitry indicates any reset condition by driving nRST low. The external circuitry can assert a system reset by driving nRST low. To ensure that an external reset is not arbitrarily generated, TI recommends that an external pull-up resistor is connected to this terminal. This terminal has a glitch filter. See <a href="#">Section 4.8</a> .
nERROR	117	I/O	Pull Down	20uA	ESM Error Signal Indicates error of high severity. See <a href="#">Section 4.18</a> .

PRODUCT PREVIEW

### 2.3.1.15 Clock Inputs and Outputs

**Table 2-16. PGE Clock Inputs and Outputs**

Terminal		Signal Type	Default Pull State	Pull Type	Description	
Signal Name	144 PGE					
OSCIN	18	Input	-	-	From external crystal/resonator, or external clock input	
KELVIN_GND	19	Input			Kelvin ground for oscillator	
OSCOU	20	Output			To external crystal/resonator	
ECLK	119	I/O	Pull Down	Programmable, 20uA	External prescaled clock output, or GIO.	
GIOA[5]/EXTCLKIN/EPWM1A /N2HET1_PIN_nDIS		14	Input	Pull Down	20uA	External clock input #1

### 2.3.1.16 Test and Debug Modules Interface

**Table 2-17. PGE Test and Debug Modules Interface**

Terminal		Signal Type	Default Pull State	Pull Type	Description
Signal Name	144 PGE				
TEST	34	Input	Pull Down	Fixed, 100uA	Test enable
nTRST	109	Input			JTAG test hardware reset
RTCK	113	Output	-	-	JTAG return test clock
TCK	112	Input	Pull Down	Fixed, 100uA	JTAG test clock
TDI	110	Input	Pull Up		JTAG test data in
TDO	111	Output	Pull Down		JTAG test data out
TMS	108	Input	Pull Up		JTAG test select

### 2.3.1.17 Flash Supply and Test Pads

**Table 2-18. PGE Flash Supply and Test Pads**

Terminal		Signal Type	Default Pull State	Pull Type	Description
Signal Name	144 PGE				
VCCP	134	3.3V Power	-	-	Flash pump supply
FLTP1	7	-	-	-	Flash test pads. These terminals are reserved for TI use only. For proper operation these terminals must connect only to a test pad or not be connected at all [no connect (NC)].
FLTP2	8				

2.3.1.18 Supply for Core Logic: 1.2V nominal

Table 2-19. PGE Supply for Core Logic: 1.2V nominal

Terminal		Signal Type	Default Pull State	Pull Type	Description
Signal Name	144 PGE				
VCC	17	1.2V Power	-	-	Core supply
VCC	29				
VCC	45				
VCC	48				
VCC	49				
VCC	57				
VCC	87				
VCC	101				
VCC	114				
VCC	123				
VCC	137				
VCC	143				

2.3.1.19 Supply for I/O Cells: 3.3V nominal

Table 2-20. PGE Supply for I/O Cells: 3.3V nominal

Terminal		Signal Type	Default Pull State	Pull Type	Description
Signal Name	144 PGE				
VCCIO	10	3.3V Power	-	-	Operating supply for I/Os
VCCIO	26				
VCCIO	42				
VCCIO	104				
VCCIO	120				
VCCIO	136				

PRODUCT PREVIEW

**2.3.1.20 Ground Reference for All Supplies Except VCCAD**
**Table 2-21. PGE Ground Reference for All Supplies Except VCCAD**

Terminal		Signal Type	Default Pull State	Pull Type	Description
Signal Name	144 PGE				
VSS	11	Ground	-	-	Ground reference
VSS	21				
VSS	27				
VSS	28				
VSS	43				
VSS	44				
VSS	47				
VSS	50				
VSS	56				
VSS	88				
VSS	102				
VSS	103				
VSS	115				
VSS	121				
VSS	122				
VSS	135				
VSS	138				
VSS	144				

**PRODUCT PREVIEW**

## 2.3.2 ZWT Package

### 2.3.2.1 Multi-Buffered Analog-to-Digital Converters (MibADC)

Table 2-22. ZWT Multi-Buffered Analog-to-Digital Converters (MibADC1, MibADC2)

Terminal		Signal Type	Default Pull State	Pull Type	Description
Signal Name	337 ZWT				
ADREFHI <sup>(1)</sup>	V15	Power	-	-	ADC high reference supply
ADREFLO <sup>(1)</sup>	V16	Power	-	-	ADC low reference supply
VCCAD <sup>(1)</sup>	W15	Power	-	-	Operating supply for ADC
VSSAD	V19	Ground	-	-	ADC supply power
	W16				
	W18				
	W19				
AD1EVT	N19	Input	Pull Down	Programmable, 20uA	ADC1 event trigger input, or GIO
MIBSPI3NCS[0]/AD2EVT/GIOB[2]/EQEP11/N2HET2_PIN_nD IS	V10	I/O	Pull Up	Programmable, 20uA	ADC2 event trigger input, or GIO
AD1IN[0]	W14	Input	-	-	ADC1 analog input
AD1IN[01]	V17				
AD1IN[02]	V18				
AD1IN[03]	T17				
AD1IN[04]	U18				
AD1IN[05]	R17				
AD1IN[06]	T19				
AD1IN[07]	V14				
AD1IN[08] / AD2IN[08]	P18				
AD1IN[09] / AD2IN[09]	W17				
AD1IN[10] / AD2IN[10]	U17				
AD1IN[11] / AD2IN[11]	U19				
AD1IN[12] / AD2IN[12]	T16				
AD1IN[13] / AD2IN[13]	T18				
AD1IN[14] / AD2IN[14]	R18				
AD1IN[15] / AD2IN[15]	P19				
AD1IN[16] / AD2IN[0]	V13				
AD1IN[17] / AD2IN[01]	U13				
AD1IN[18] / AD2IN[02]	U14				
AD1IN[19] / AD2IN[03]	U16				
AD1IN[20] / AD2IN[04]	U15				
AD1IN[21] / AD2IN[05]	T15				
AD1IN[22] / AD2IN[06]	R19				
AD1IN[23] / AD2IN[07]	R16				
MIBSPI3SOMI/AWM1_EXT_ENA/ECAP2	V8	Output	Pull Up	-	AWM1 external analog mux enable
MIBSPI3SIMO/AWM1_EXT_SEL[0]/ECAP3	W8				AWM1 external analog mux select line0
MIBSPI3CLK/AWM1_EXT_SEL[1]/EQEP1A	V9				AWM1 external analog mux select line0

(1) The ADREFHI, ADREFLO, VCCAD and VSSAD connections are common for both ADC cores.



### 2.3.2.2 Enhanced High-End Timer Modules (N2HET)

**Table 2-23. ZWT Enhanced High-End Timer Modules (N2HET)**

Terminal		Signal Type	Default Pull State	Pull Type	Description
Signal Name	337 ZWT				
N2HET1[0]/SPI4CLK/EPWM2B	K18	I/O	Pull Down	Programmable, 20uA	N2HET1 time input capture or output compare, or GIO. Each terminal has a suppression filter that ignores input pulses smaller than a programmable duration.
N2HET1[01]/SPI4NENA/N2HET2[8]	V2				
N2HET1[02]/SPI4SIMO/EPWM3A	W5				
N2HET1[03]/SPI4NCS[0]/USB2.SPEED/ USB_FUNC.PUENON/N2HET2[10]/EQEP2B	U1				
N2HET1[04]/EPWM4B	B12				
N2HET1[05]/SPI4SOMI/N2HET2[12]/EPWM3B	V6				
N2HET1[06]/SCIRX/EPWM5A	W3				
N2HET1[07]/EPWM7B/USB2.PortPower/ USB_FUNC.GZO/N2HET2[14]/EPWM7B	T1				
N2HET1[08]/MIBSPI1SIMO[1]/ USB1.OverCurrent	E18				
N2HET1[09]/N2HET2[16]/ USB2.SUSPEND/USB_FUNC.SUSPENDO/EPWM7A	V7				
N2HET1[10]/ USB1.TXEN/nTZ3	D19				
N2HET1[11]/MIBSPI3NCS[4]/N2HET2[18]/ USB2.OverCurrent/USB_FUNC.VBUSI/EPWM1SYNCO	E3				
N2HET1[12]	B4				
N2HET1[13]/SCITX/EPWM5B	N2				
N2HET1[14]/USB1.TXSE0	A11				
N2HET1[15]/MIBSPI1NCS[4]/ECAP1	N1				
N2HET1[16]/EPWM1SYNCI/EPWM1SYNCO	A4				
N2HET1[17]	A13				
N2HET1[18]/EPWM6A	J1				
N2HET1[19]	B13				
N2HET1[20]/EPWM6B	P2				
N2HET1[21]	H4				
N2HET1[22]/USB2.TXSE0/USB_FUNC.SE00	B3				
N2HET1[23]	J4				
N2HET1[24]/MIBSPI1NCS[5]	P1				
N2HET1[25]	M3				
N2HET1[26]/	A14				
N2HET1[27]	A9				
N2HET1[28]/	K19				
N2HET1[29]	A3				
N2HET1[30]/USB1.SPEED/EQEP2S	B11				
N2HET1[31]	J17				
GIOA[5]/EXTCLKIN/EPWM1A/N2HET1_PIN_nDIS	B5	input	Pull Down	Fixed, 20uA	

**Table 2-23. ZWT Enhanced High-End Timer Modules (N2HET) (continued)**

Terminal		Signal Type	Default Pull State	Pull Type	Description
Signal Name	337 ZWT				
GIOA[2]/USB2.TXDAT/USB_FUNC.TXDO/N2HET2[0]/EQEP2I	C1	I/O	Pull Down	Programmable, 20uA	N2HET2 time input capture or output compare, or GIO. Each terminal has a suppression filter that ignores input pulses smaller than a programmable duration.
EMIF_ADDR[0]/N2HET2[1]	D4				
GIOA[3]/N2HET2[2]	E1				
EMIF_ADDR[1]/N2HET2[3]	D5				
GIOA[6]/N2HET2[4]/EPWM1B	H3				
EMIF_BA[1]/N2HET2[5]	D16				
GIOA[7]/N2HET2[6]/EPWM2A	M1				
EMIF_nCS[0]/N2HET2[7]	N17				
N2HET1[01]/SPI4NENA/USB2.TXEN/USB_FUNC.PUENO/N2HET2[8]	V2				
EMIF_nCS[3]/N2HET2[9]	K17				
N2HET1[03]/SPI4NCS[0]/USB2.SPEED/USB_FUNC.PUENON/N2HET2[10]/EQEP2B	U1				
EMIF_ADDR[6]/N2HET2[11]	C4				
N2HET1[05]/SPI4SOMI/N2HET2[12]/EPWM3B	V6				
EMIF_ADDR[7]/N2HET2[13]	C5				
N2HET1[07]/USB2.PortPower/USB_FUNC.GZO/N2HET2[14]/EPWM7B	T1				
EMIF_ADDR[8]/N2HET2[15]	C6				
N2HET1[09]/N2HET2[16]/USB2.SUSPEND/USB_FUNC.SUSPENDO/EPWM7A	V7				
N2HET1[11]/MIBSPI3NCS[4]/N2HET2[18]/USB2.OverCurrent/USB_FUNC.VBUSI/EPWM1SYNCO	E3				
MIBSPI3NCS[0]/AD2EVT/GIOB[2]/EQEP11/N2HET2_PIN_nDIS	V10	Pull Up			

**2.3.2.3 Enhanced Capture Modules (eCAP)**

**Table 2-24. ZWT Enhanced Capture Modules (eCAP)<sup>(1)</sup>**

Terminal		Signal Type	Default Pull State	Pull Type	Description
Signal Name	337 ZWT				
N2HET1[15]/MIBSPI1NCS[4]/ECAP1	N1	I/O	Pull Down	Fixed, 20uA	Enhanced Capture Module 1 I/O
MIBSPI3SOMI/AWM1_EXT_ENA/ECAP2	V8	std buffer	Pull Up		Enhanced Capture Module 2 I/O
MIBSPI3SIMO/AWM1_EXT_SEL[0]/ECAP3	W8	std buffer			Enhanced Capture Module 3 I/O
MIBSPI1NENA/N2HET1[23]/USB1.VP/ECAP4	G19	std buffer			Enhanced Capture Module 4 I/O
MIBSPI5NENA/USB1.VM/MIBSPI5SOMI[1]/ECAP5	H18	std buffer			Enhanced Capture Module 5 I/O
MIBSPI1NCS[0]/MIBSPI1SOMI[1]/USB1.RCV/ECAP6	R2	std buffer			Enhanced Capture Module 6 I/O

(1) These signals, when used as inputs, are double-synchronized and then optionally filtered with a 6-cycle VCLK4-based counter.

PRODUCT PREVIEW

### 2.3.2.4 Enhanced Quadrature Encoder Pulse Modules (eQEP)

**Table 2-25. ZWT Enhanced Quadrature Encoder Pulse Modules (eQEP)<sup>(1)</sup>**

Terminal		Signal Type	Default Pull State	Pull Type	Description
Signal Name	337 ZWT				
MIBSPI3CLK/AWM1_EXT_SEL[1]/ <b>EQEP1A</b>	V9	Input	Pull Up	Fixed, 20uA	Enhanced QEP1 Input A
MIBSPI3NENA/MIBSPI3NCS[5]/N2HET1[31]/ <b>EQEP1B</b>	W9	Input			Enhanced QEP1 Input B
MIBSPI3NCS[0]/AD2EVT/GIOB[2]/ <b>EQEP1I</b> /N2HET2_PIN_nDIS	V10	I/O			Enhanced QEP1 Index
MIBSPI1NCS[1]/N2HET1[17]/USB1.SUSPEND/ <b>EQEP1S</b>	F3	I/O			Enhanced QEP1 Strobe
N2HET1[01]/SPI4NENA/USB2.TXEN/USB_FUNC.PUENO/N2HET2[8]/ <b>EQEP2A</b>	V2	Input	Pull Down		Enhanced QEP2 Input A
N2HET1[03]/SPI4NCS[0]/USB2.SPEED/USB_FUNC.PUENO/N2HET2[10]/ <b>EQEP2B</b>	U1	Input	Pull Down		Enhanced QEP2 Input B
GIOA[2]/USB2.TXDAT/USB_FUNC.TXDO/N2HET2[0]/ <b>EQEP2I</b>	C1	I/O	Pull Down		Enhanced QEP2 Index
N2HET1[30]/USB1.SPEED/ <b>EQEP2S</b>	B11	I/O	Pull Down		Enhanced QEP2 Strobe

(1) These signals are double-synchronized and then optionally filtered with a 6-cycle VCLK4-based counter.

### 2.3.2.5 Enhanced Pulse-Width Modulator Modules (ePWM)

**Table 2-26. ZWT Enhanced Pulse-Width Modulator Modules (ePWM)**

Terminal		Signal Type	Default Pull State	Pull Type	Description	
Signal Name	337 ZWT					
GIOA[5]/EXTCLKIN/EPWM1A/N2HET1_PIN_nDIS	B5	Output	Pull Down	-	Enhanced PWM1 Output A	
GIOA[6]/N2HET2[4]/EPWM1B	H3				Enhanced PWM1 Output B	
N2HET1[11]/MIBSPI3NCS[4]/N2HET2[18]/USB2.OverCurrent/USB_FUNC.VBUS/EPWM1SYNCO	E3				External ePWM Sync Pulse Output	
N2HET1[16]/EPWM1SYNCI/EPWM1SYNCO	A4				External ePWM Sync Pulse Output	
GIOA[7]/N2HET2[6]/EPWM2A	M1				Enhanced PWM2 Output A	
N2HET1[0]/SPI4CLK/EPWM2B	K18				Enhanced PWM2 Output B	
N2HET1[02]/SPI4SIMO/EPWM3A	W5				Enhanced PWM3 Output A	
N2HET1[05]/SPI4SOMI/N2HET2[12]/EPWM3B	V6				Enhanced PWM3 Output B	
MIBSPI5NCS[0]/EPWM4A	E19				Pull Up	Enhanced PWM4 Output A
N2HET1[04]/EPWM4B	B12				Pull Down	Enhanced PWM4 Output B
N2HET1[06]/SCIRX/EPWM5A	W3				Enhanced PWM5 Output A	
N2HET1[13]/SCITX/EPWM5B	N2				Enhanced PWM5 Output B	
N2HET1[18]/EPWM6A	J1				Enhanced PWM6 Output A	
N2HET1[20]/EPWM6B	P2				Enhanced PWM6 Output B	
N2HET1[09]/N2HET2[16]/USB2.SUSPEND/USB_FUNC.SUSPENDO/EPWM7A	V7				Input	Pull Up
N2HET1[07]/USB2.PortPower/USB_FUNC.GZO/N2HET2[14]/EPWM7B	T1	Enhanced PWM7 Output B				
MIBSPI3NCS[3]/I2C_SCL/N2HET1[29]/nTZ1	C3	Pull Down	-	-		
MIBSPI3NCS[2]/I2C_SDA/N2HET1[27]/nTZ2	B2					
N2HET1[10]/USB1.TXEN//nTZ3	D19					

PRODUCT PREVIEW

### 2.3.2.6 General-Purpose Input / Output (GIO)

**Table 2-27. ZWT General-Purpose Input / Output (GIO)**

Terminal		Signal Type	Default Pull State	Pull Type	Description
Signal Name	337 ZWT				
GIOA[0]/USB2.VP/USB_FUNC.RXDPI	A5	I/O	Pull Down	Programmable, 20uA	General-purpose I/O. All GIO terminals are capable of generating interrupts to the CPU on rising / falling / both edges.
GIOA[1]/USB2.VM/USB_FUNC.RXDMI	C2				
GIOA[2]/USB2.TXDAT/USB_FUNC.TXDO/N2HET2[0]/EQEP2I	C1				
GIOA[3]/N2HET2[2]	E1				
GIOA[4]	A6				
GIOA[5]/EXTCLKIN/EPWM1A/N2HET1_PIN_nDIS	B5				
GIOA[6]/N2HET2[4]/EPWM1B	H3				
GIOA[7]/N2HET2[6]/EPWM2A	M1				
GIOB[0]/USB1.TXDAT	M2				
GIOB[1]/USB1.PortPower	K2				
GIOB[2]	F2 / V10 <sup>(1)</sup>				
GIOB[3]/USB2.RCV	W10				
GIOB[4]	G1				
GIOB[5]	G2				
GIOB[6]	J2				
GIOB[7]	F1				

- (1) GIOB[2] cannot output a level on to terminal V10. Only the input functionality is supported so that the application can generate an interrupt whenever the N2HET2\_PIN\_nDIS is asserted (driven low). Also, a pull up is enabled on the input. This is not programmable using the GIO module control registers.

### 2.3.2.7 Controller Area Network Controllers (DCAN)

**Table 2-28. ZWT Controller Area Network Controllers (DCAN)**

Terminal		Signal Type	Default Pull State	Pull Type	Description
Signal Name	337 ZWT				
CAN1RX	B10	I/O	Pull Up	Programmable, 20uA	CAN1 receive, or GIO
CAN1TX	A10				CAN1 transmit, or GIO
CAN2RX	H1				CAN2 receive, or GIO
CAN2TX	H2				CAN2 transmit, or GIO
CAN3RX	M19				CAN3 receive, or GIO
CAN3TX	M18				CAN3 transmit, or GIO

### 2.3.2.8 Local Interconnect Network Interface Module (LIN)

**Table 2-29. ZWT Local Interconnect Network Interface Module (LIN)**

Terminal		Signal Type	Default Pull State	Pull Type	Description
Signal Name	337 ZWT				
LINRX	A7	I/O	Pull Up	Programmable, 20uA	LIN receive, or GIO
LINTX	B7				LIN transmit, or GIO

### 2.3.2.9 Standard Serial Communication Interface (SCI)

**Table 2-30. ZWT Standard Serial Communication Interface (SCI)**

Terminal		Signal Type	Default Pull State	Pull Type	Description
Signal Name	337 ZWT				
N2HET1[06]/SCIRX/EPWM5A	W3	I/O	Pull Down	Programmable, 20uA	SCI receive, or GIO
N2HET1[13]/SCITX/EPWM5B	N2				SCI transmit, or GIO

### 2.3.2.10 Inter-Integrated Circuit Interface Module (I2C)

**Table 2-31. ZWT Inter-Integrated Circuit Interface Module (I2C)**

Terminal		Signal Type	Default Pull State	Pull Type	Description
Signal Name	337 ZWT				
MIBSPI3NCS[2]/I2C_SDA/N2HET1[27]/nTZ2	B2	I/O	Pull Up	Programmable, 20uA	I2C serial data, or GIO
MIBSPI3NCS[3]/I2C_SCL/N2HET1[29]/nTZ1	C3				I2C serial clock, or GIO

### 2.3.2.11 Standard Serial Peripheral Interface (SPI)

**Table 2-32. ZWT Standard Serial Peripheral Interface (SPI)**

Terminal		Signal Type	Default Pull State	Pull Type	Description
Signal Name	337 ZWT				
<b>SPI2CLK</b>	E2	I/O	Pull Up	Programmable, 20uA	SPI2 clock, or GIO
<b>SPI2NCS[0]</b>	N3				SPI2 chip select, or GIO
SPI2NENA/SPI2NCS[1]	D3				SPI2 chip select, or GIO
<b>SPI2NENA/SPI2NCS[1]</b>	D3				SPI2 enable, or GIO
<b>SPI2SIMO</b>	D1				SPI2 slave-input master-output, or GIO
<b>SPI2SOMI</b>	D2				SPI2 slave-output master-input, or GIO
N2HET1[0]/ <b>SPI4CLK</b> /EPWM2B	K18	I/O	Pull Down	Programmable, 20uA	SPI4 clock, or GIO
N2HET1[03]/ <b>SPI4NCS[0]</b> /USB2.SPEED/ USB_FUNC.PUENON/N2HET2[10]/EQEP2B	U1				SPI4 chip select, or GIO
N2HET1[01]/ <b>SPI4NENA</b> /USB2.TXEN/ USB_FUNC.PUENO/N2HET2[8]	V2				SPI4 enable, or GIO
N2HET1[02]/ <b>SPI4SIMO</b> /EPWM3A	W5				SPI4 slave-input master-output, or GIO
N2HET1[05]/ <b>SPI4SOMI</b> /N2HET2[12]/EPWM3B	V6				SPI4 slave-output master-input, or GIO

### 2.3.2.12 Multi-Buffered Serial Peripheral Interface Modules (MibSPI)

**Table 2-33. ZWT Multi-Buffered Serial Peripheral Interface Modules (MibSPI)**

Terminal		Signal Type	Default Pull State	Pull Type	Description		
Signal Name	337 ZWT						
MIBSPI1CLK	F18	I/O	Pull Up	Programmable, 20uA	MibSPI1 clock, or GIO		
MIBSPI1NCS[0]/MIBSPI1SOMI[1]/USB1.RCV	R2				MibSPI1 chip select, or GIO		
MIBSPI1NCS[1]/N2HET1[17]/USB1.SUSPEND /EQEP1S	F3						
MIBSPI1NCS[2]/N2HET1[19]	G3						
MIBSPI1NCS[3]/N2HET1[21]	J3						
N2HET1[15]/MIBSPI1NCS[4]	N1				Pull Down	Programmable, 20uA	MibSPI1 chip select, or GIO
N2HET1[24]/MIBSPI1NCS[5]	P1						
MIBSPI1NENA/N2HET1[23]/USB1.VP/ECAP4	G19				Pull Up	Programmable, 20uA	MibSPI1 enable, or GIO
MIBSPI1SIMO	F19						MibSPI1 slave-in master-out, or GIO
N2HET1[08]/MIBSPI1SIMO[1]/USB1.OverCurrent	E18				Pull Down	Programmable, 20uA	MibSPI1 slave-in master-out, or GIO
MIBSPI1SOMI	G18						
MIBSPI1NCS[0]/MIBSPI1SOMI[1]/ECAP6/USB1.RCV	R2	Pull Up	Programmable, 20uA	MibSPI1 slave-out master-in, or GIO			
MIBSPI3CLK/AWM1_EXT_SEL[1]/EQEP1A	V9	I/O	Pull Up	Programmable, 20uA	MibSPI3 clock, or GIO		
MIBSPI3NCS[0]/AD2EVT/GIOB[2]/EQEP11/N2HET2_PIN_nDIS	V10				MibSPI3 chip select, or GIO		
MIBSPI3NCS[1]/N2HET1[25]/MDCLK	V5						
MIBSPI3NCS[2]/I2C_SDA/N2HET1[27]/nTZ2	B2						
MIBSPI3NCS[3]/I2C_SCL/N2HET1[29]/nTZ1	C3						
N2HET1[11]/MIBSPI3NCS[4]/N2HET2[18]/USB2.OverCurrent/USB_FUNC.VBUSI/EPWM1SYNCO	E3				Pull Down	Programmable, 20uA	MibSPI3 chip select, or GIO
MIBSPI3NENA/MIBSPI3NCS[5]/N2HET1[31]/EQEP1B	W9				Pull Up	Programmable, 20uA	MibSPI3 chip select, or GIO
MIBSPI3NENA/MIBSPI3NCS[5]/N2HET1[31]/EQEP1B	W9						MibSPI3 enable, or GIO
MIBSPI3SIMO/AWM1_EXT_SEL[0]/ECAP3	W8						MibSPI3 slave-in master-out, or GIO
MIBSPI3SOMI/AWM1_EXT_ENA/ECAP2	V8						MibSPI3 slave-out master-in, or GIO
MIBSPI5CLK	H19	I/O	Pull Up	Programmable, 20uA	MibSPI5 clock, or GIO		
MIBSPI5NCS[0]/EPWM4A	E19				MibSPI5 chip select, or GIO		
MIBSPI5NCS[1]	B6						
MIBSPI5NCS[2]	W6						
MIBSPI5NCS[3]	T12						
MIBSPI5NENA/USB1.VM/MIBSPI5SOMI[1]/ECAP5	H18						MibSPI5 enable, or GIO
MIBSPI5SIMO[0]	J19						
MIBSPI5SIMO[1]	E16						MibSPI5 slave-in master-out, or GIO
MIBSPI5SIMO[2]	H17						
MIBSPI5SIMO[3]	G17						
MIBSPI5SOMI[0]	J18						
MIBSPI5SOMI[1]	E17						
MIBSPI5SOMI[2]	H16						
MIBSPI5SOMI[3]	G16						

PRODUCT PREVIEW



### 2.3.2.13 USB Host Port Controller Interface

**Table 2-34. ZWT USB Host Port Controller Interface (USB1, USB2)**

Terminal		Signal Type	Default Pull State	Pull Type	Description
Signal Name	337 ZWT				
N2HET1[08]/MIBSPI1SIMO[1]/ <b>USB1.OverCurrent</b>	E18	Input	Pull Down	Fixed, 20uA	Overcurrent indication from USB power switch
MIBSPI1NCS[0]/MIBSPI1SOMI[1]/ <b>USB1.RCV</b>	R2		Pull Up	Fixed, 20uA	Receive data from USB port transceiver
MIBSPI5NENA/ <b>USB1.VM</b> /MIBSPI5SOMI[1]/ECAP5	H18				NRZI encoded D-minus from USB port transceiver
MIBSPI1NENA/N2HET1[23]/ <b>USB1.VP</b> /ECAP4	G19				NRZI encoded D-plus from USB port transceiver
GIOB[1]/ <b>USB1.PortPower</b>	K2	Output	Pull Down	-	
N2HET1[30]/ <b>USB1.SPEED</b> /EQEP2S	B11				Transmit speed indication
MIBSPI1NCS[1]/N2HET1[17]/ <b>USB1.SUSPEND</b> /EQEP1S	F3		Pull Up	-	
GIOB[0]/ <b>USB1.TXDAT</b>	M2		Pull Down	-	
N2HET1[10]/ <b>USB1.TXEN</b> /nTZ3	D19				Transmit enable to port transceiver
N2HET1[14]/ <b>USB1.TXSE0</b>	A11				Single-ended zero to port transceiver
N2HET1[11]/MIBSPI3NCS[4]/N2HET2[18]/ <b>USB2.OverCurrent</b> /USB_FUNC.VBUSI/EPWM1SYNCO	E3		Input	Pull Down	Fixed, 20uA
GIOB[3]/ <b>USB2.RCV</b> /USB_FUNC.RXDI	W10	Pull Down		Fixed, 20uA	
GIOA[1]/ <b>USB2.VM</b> /USB_FUNC.RXDMI	C2				NRZI encoded D-minus from USB port transceiver
GIOA[0]/ <b>USB2.VP</b> /USB_FUNC.RXDPI	A5				NRZI encoded D-plus from USB port transceiver
N2HET1[07]/ <b>USB2.PortPower</b> / USB_FUNC.GZO/N2HET2[14]/EPWM7B	T1	Output	Pull Down	-	
N2HET1[03]/SPI4NCS[0]/ <b>USB2.SPEED</b> / USB_FUNC.PUENON/N2HET2[10]/EQEP2B	U1				Transmit speed indication
N2HET1[09]/N2HET2[16]/ <b>USB2.SUSPEND</b> / USB_FUNC.SUSPENDO/EPWM7A	V7				Port suspend indication
GIOA[2]/ <b>USB2.TXDAT</b> /USB_FUNC.TXDO/N2HET2[0]/EQEP2I	C1				NRZI encoded D-plus to port transceiver
N2HET1[01]/SPI4NENA/ <b>USB2.TXEN</b> / USB_FUNC.PUENO/N2HET2[8]	V2				Transmit enable to port transceiver
N2HET1[22]/ <b>USB2.TXSE0</b> /USB_FUNC.SE0O	B3				Single-ended zero to port transceiver

**Table 2-35. ZWT USB Device Port Controller Interface (USB\_FUNC)**

Terminal		Signal Type	Default Pull State	Pull Type	Description
Signal Name	337 ZWT				
N2HET1[07]/USB2.PortPower/ <b>USB_FUNC.GZO</b> /N2HET2[14]/ EPWM7B	T1	Output	Pull Down	-	Pull Up enable, allows for software-programmable USB device connect/disconnect
N2HET1[01]/SPI4NENA/ <b>USB2.TXEN</b> / <b>USB_FUNC.PUENO</b> / N2HET2[8]	V2				PUENO inverted
N2HET1[03]/SPI4NCS[0]/ <b>USB2.SPEED</b> / <b>USB_FUNC.PUENON</b> / N2HET2[10]/EQEP2B	U1				

**Table 2-35. ZWT USB Device Port Controller Interface (USB\_FUNC) (continued)**

Terminal		Signal Type	Default Pull State	Pull Type	Description
Signal Name	337 ZWT				
GIOB[3]/USB2.RCV/ <b>USB_FUNC.RXDI</b>	W10	Input	Pull Down	Fixed, 20uA	USB device single-ended data input
GIOA[1]/USB2.VM/ <b>USB_FUNC.RXDMI</b>	C2				USB device logic value of D-minus
GIOA[0]/USB2.VP/ <b>USB_FUNC.RXDPI</b>	A5				USB device logic value of D-plus
N2HET1[22]/USB2.TXSE0/ <b>USB_FUNC.SE00</b>	B3	Output	Pull Down	-	USB device single-ended zero
N2HET1[09]/N2HET2[16]/USB2.SUSPEND/ <b>USB_FUNC.SUSPEND0</b> /EPWM7A	V7				USB device suspend output
GIOA[2]/USB2.TXDAT/ <b>USB_FUNC.TXDO</b> /N2HET2[0]/EQEP2I	C1				USB device transmit data
N2HET1[11]/MIBSPI3NCS[4]/N2HET2[18]/USB2.OverCurrent/ <b>USB_FUNC.VBUSI</b> /EPWM1SYNCO	E3	Input	Pull Down	Fixed, 20uA	USB device power connected

PRODUCT PREVIEW

### 2.3.2.14 External Memory Interface (EMIF)

**Table 2-36. External Memory Interface (EMIF)**

Terminal		Signal Type	Default Pull State	Pull Type	Description
Signal Name	337 ZWT				
EMIF_CKE	L3	Output	Pull Down	-	EMIF Clock Enable
EMIF_CLK	K3	I/O			EMIF clock. This is an output signal in functional mode. It is gated off by default, so that the signal is tri-stated. PINMUX29[8] must be cleared to enable this output.
EMIF_nWE/EMIF_RNW	D17	Output	Pull Up	-	EMIF Read-Not-Write
EMIF_nOE	E12		Pull Down	-	EMIF Read Enable
EMIF_nWAIT	P3	I/O	Pull Up	Fixed, 20uA	EMIF Extended Wait Signal
EMIF_nWE/EMIF_RNW	D17	Output	Pull Up	Programmable, 20uA	EMIF Write Enable.
EMIF_nCAS	R4	Output			EMIF column address strobe
EMIF_nRAS	R3	Output			EMIF row address strobe
EMIF_nCS[0]/N2HET2[7] <sup>(1)</sup>	N17	Output	Pull Down		EMIF chip select, synchronous
EMIF_nCS[2]	L17	Output	Pull Up		EMIF chip selects, asynchronous This applies to chip selects 2, 3 and 4
EMIF_nCS[3]/N2HET2[9] <sup>(1)</sup>	K17	Output	Pull Down		
EMIF_nCS[4]	M17	Output	Pull Up		
EMIF_nDQM[0]	E10	Output	Pull Down	Programmable, 20uA	EMIF Data Mask or Write Strobe. Data mask for SDRAM devices, write strobe for connected asynchronous devices.
EMIF_nDQM[1]	E11	Output			
EMIF_BA[0]	E13	Output			EMIF bank address or address line
EMIF_BA[1]/N2HET2[5] <sup>(1)</sup>	D16	Output			EMIF bank address or address line
EMIF_ADDR[0]/N2HET2[1] <sup>(1)</sup>	D4	Output			EMIF address
EMIF_ADDR[1]/N2HET2[3] <sup>(1)</sup>	D5	Output			
EMIF_ADDR[2]	E6	Output			
EMIF_ADDR[3]	E7	Output			
EMIF_ADDR[4]	E8	Output			
EMIF_ADDR[5]	E9	Output			
EMIF_ADDR[6]/NHET2[11] <sup>(1)</sup>	C4	Output			
EMIF_ADDR[7]/NHET2[13] <sup>(1)</sup>	C5	Output			
EMIF_ADDR[8]/NHET2[15] <sup>(1)</sup>	C6	Output			
EMIF_ADDR[9]	C7	Output			
EMIF_ADDR[10]	C8	Output			
EMIF_ADDR[11]	C9	Output			
EMIF_ADDR[12]	C10	Output			

(1) These signals are tri-stated and pulled down by default after power-up. Any application that requires the EMIF must set the bit 31 of the system module general-purpose register GPREG1.

**Table 2-36. External Memory Interface (EMIF) (continued)**

Terminal		Signal Type	Default Pull State	Pull Type	Description
Signal Name	337 ZWT				
EMIF_DATA[0]	K15	I/O	Pull Up	Fixed, 20uA	EMIF Data
EMIF_DATA[1]	L15	I/O			
EMIF_DATA[2]	M15	I/O			
EMIF_DATA[3]	N15	I/O			
EMIF_DATA[4]	E5	I/O			
EMIF_DATA[5]	F5	I/O			
EMIF_DATA[6]	G5	I/O			
EMIF_DATA[7]	K5	I/O			
EMIF_DATA[8]	L5	I/O			
EMIF_DATA[9]	M5	I/O			
EMIF_DATA[10]	N5	I/O			
EMIF_DATA[11]	P5	I/O			
EMIF_DATA[12]	R5	I/O			
EMIF_DATA[13]	R6	I/O			
EMIF_DATA[14]	R7	I/O			
EMIF_DATA[15]	R8	I/O			

PRODUCT PREVIEW

### 2.3.2.15 System Module Interface

**Table 2-37. ZWT System Module Interface**

Terminal		Signal Type	Default Pull State	Pull Type	Description
Signal Name	337 ZWT				
nPORRST	W7	Input	Pull Down	100uA	Power-on reset, cold reset External power supply monitor circuitry must drive nPORRST low when any of the supplies to the microcontroller fall out of the specified range. This terminal has a glitch filter. See <a href="#">Section 4.8</a> .
nRST	B17	I/O	Pull Up	100uA	System reset, warm reset, bidirectional. The internal circuitry indicates any reset condition by driving nRST low. The external circuitry can assert a system reset by driving nRST low. To ensure that an external reset is not arbitrarily generated, TI recommends that an external pull-up resistor is connected to this terminal. This terminal has a glitch filter. See <a href="#">Section 4.8</a> .
nERROR	B14	I/O	Pull Down	20uA	ESM Error Signal Indicates error of high severity. See <a href="#">Section 4.18</a> .

### 2.3.2.16 Clock Inputs and Outputs

**Table 2-38. ZWT Clock Inputs and Outputs**

Terminal		Signal Type	Default Pull State	Pull Type	Description
Signal Name	337 ZWT				
OSCIN	K1	Input	-	-	From external crystal/resonator, or external clock input
KELVIN_GND	L2	Input			Kelvin ground for oscillator
OSCOU	L1	Output			To external crystal/resonator
ECLK	A12	I/O	Pull Down	Programmable, 20uA	External prescaled clock output, or GIO.
GIOA[5]/EXTCLKIN/EPWM1A/N2HET1_PIN_nDIS	B5	Input	Pull Down	20uA	External clock input #1
EXTCLKIN2	R9	Input			External clock input #2
VCCPLL	P11	1.2V Power		-	Dedicated core supply for PLL's

### 2.3.2.17 Test and Debug Modules Interface

**Table 2-39. ZWT Test and Debug Modules Interface**

Terminal		Signal Type	Default Pull State	Pull Type	Description
Signal Name	337 ZWT				
TEST	U2	Input	Pull Down	Fixed, 100uA	Test enable
nTRST	D18	Input			JTAG test hardware reset
RTCK	A16	Output	-	-	JTAG return test clock
TCK	B18	Input	Pull Down	Fixed, 100uA	JTAG test clock
TDI	A17	Input	Pull Up		JTAG test data in
TDO	C18	Output	Pull Down		JTAG test data out
TMS	C19	Input	Pull Up		JTAG test select

### 2.3.2.18 Flash Supply and Test Pads

**Table 2-40. ZWT Flash Supply and Test Pads**

Terminal		Signal Type	Default Pull State	Pull Type	Description
Signal Name	337 ZWT				
VCCP	F8	3.3V Power	-	-	Flash pump supply
FLTP1	J5	-	-	-	Flash test pads. These terminals are reserved for TI use only. For proper operation these terminals must connect only to a test pad or not be connected at all [no connect (NC)].
FLTP2	H5				

### 2.3.2.19 No Connects

**Table 2-41. No Connects**

Terminal		Signal Type	Default Pull State	Pull Type	Description
Signal Name	337 ZWT				
NC	A8	-	-	-	
NC	A15	-	-	-	
NC	B8	-	-	-	
NC	B9	-	-	-	
NC	B15	-	-	-	
NC	B16	-	-	-	

**Table 2-41. No Connects (continued)**

Terminal		Signal Type	Default Pull State	Pull Type	Description
Signal Name	337 ZWT				
NC	C11	-	-	-	No Connects. These balls are not connected to any internal logic and can be connected to the PCB ground without affecting the functionality of the device.
NC	C12	-	-	-	
NC	C13	-	-	-	
NC	C14	-	-	-	
NC	C15	-	-	-	
NC	C16	-	-	-	
NC	C17	-	-	-	
NC	D6	-	-	-	
NC	D7	-	-	-	
NC	D8	-	-	-	
NC	D9	-	-	-	
NC	D10	-	-	-	
NC	D11	-	-	-	
NC	D12	-	-	-	
NC	D13	-	-	-	
NC	D14	-	-	-	
NC	D15	-	-	-	
NC	E4	-	-	-	
NC	F4	-	-	-	
NC	F16	-	-	-	
NC	F17	-	-	-	
NC	G4	-	-	-	
NC	K4	-	-	-	
NC	K16	-	-	-	
NC	L4	-	-	-	
NC	L16	-	-	-	
NC	M4	-	-	-	
NC	M16	-	-	-	
NC	N4	-	-	-	
NC	N16	-	-	-	
NC	N18	-	-	-	
NC	P4	-	-	-	
NC	P15	-	-	-	
NC	P16	-	-	-	
NC	P17	-	-	-	
NC	R1	-	-	-	
NC	R10	-	-	-	
NC	R11	-	-	-	
NC	R12	-	-	-	
NC	R13	-	-	-	
NC	R14	-	-	-	
NC	R15	-	-	-	

**PRODUCT PREVIEW**

**Table 2-41. No Connects (continued)**

Terminal		Signal Type	Default Pull State	Pull Type	Description
Signal Name	337 ZWT				
NC	T2	-	-	-	No Connects. These balls are not connected to any internal logic and can be connected to the PCB ground without affecting the functionality of the device.
NC	T3	-	-	-	
NC	T4	-	-	-	
NC	T5	-	-	-	
NC	T6	-	-	-	
NC	T7	-	-	-	
NC	T8	-	-	-	
NC	T9	-	-	-	
NC	T10	-	-	-	
NC	T11	-	-	-	
NC	T13	-	-	-	
NC	T14	-	-	-	
NC	U3	-	-	-	
NC	U4	-	-	-	
NC	U5	-	-	-	
NC	U6	-	-	-	
NC	U7	-	-	-	
NC	U8	-	-	-	
NC	U9	-	-	-	
NC	U10	-	-	-	
NC	U11	-	-	-	
NC	U12	-	-	-	
NC	V3	-	-	-	
NC	V4	-	-	-	
NC	V11	-	-	-	
NC	V12	-	-	-	
NC	W4	-	-	-	
NC	W13	-	-	-	

PRODUCT PREVIEW

**2.3.2.20 Supply for Core Logic: 1.2V nominal**

**Table 2-42. ZWT Supply for Core Logic: 1.2V nominal**

Terminal		Signal Type	Default Pull State	Pull Type	Description
Signal Name	337 ZWT				
VCC	F9	1.2V Power	-	-	Core supply
VCC	F10				
VCC	H10				
VCC	J14				
VCC	K6				
VCC	K8				
VCC	K12				
VCC	K14				
VCC	L6				
VCC	M10				
VCC	P10				



**2.3.2.21 Supply for I/O Cells: 3.3V nominal**
**Table 2-43. ZWT Supply for I/O Cells: 3.3V nominal**

Terminal		Signal Type	Default Pull State	Pull Type	Description
Signal Name	337 ZWT				
VCCIO	F6	3.3V Power	-	-	Operating supply for I/Os
VCCIO	F7				
VCCIO	F11				
VCCIO	F12				
VCCIO	F13				
VCCIO	F14				
VCCIO	G6				
VCCIO	G14				
VCCIO	H6				
VCCIO	H14				
VCCIO	J6				
VCCIO	L14				
VCCIO	M6				
VCCIO	M14				
VCCIO	N6				
VCCIO	N14				
VCCIO	P6				
VCCIO	P7				
VCCIO	P8				
VCCIO	P9				
VCCIO	P12				
VCCIO	P13				
VCCIO	P14				

**PRODUCT PREVIEW**

2.3.2.22 Ground Reference for All Supplies Except VCCAD

Table 2-44. ZWT Ground Reference for All Supplies Except VCCAD

Terminal		Signal Type	Default Pull State	Pull Type	Description
Signal Name	337 ZWT				
VSS	A1	Ground	-	-	Ground reference
VSS	A2				
VSS	A18				
VSS	A19				
VSS	B1				
VSS	B19				
VSS	H8				
VSS	H9				
VSS	H11				
VSS	H12				
VSS	J8				
VSS	J9				
VSS	J10				
VSS	J11				
VSS	J12				
VSS	K9				
VSS	K10				
VSS	K11				
VSS	L8				
VSS	L9				
VSS	L10				
VSS	L11				
VSS	L12				
VSS	M8				
VSS	M9				
VSS	M11				
VSS	M12				
VSS	V1				
VSS	W1				
VSS	W2				

PRODUCT PREVIEW

### 3 Device Operating Conditions

#### 3.1 Absolute Maximum Ratings Over Operating Free-Air Temperature Range, <sup>(1)</sup>

Supply voltage range:	$V_{CC}^{(2)}$	-0.3 V to 1.43 V
	$V_{CCIO}, V_{CCP}^{(2)}$	-0.3 V to 4.1 V
	$V_{CCAD}$	-0.3 V to 5.5 V
Input voltage range:	All input pins, with exception of ADC pins	-0.3 V to 4.1 V
	ADC input pins	-0.3 V to 5.25 V
Input clamp current:	$I_{IK} (V_I < 0 \text{ or } V_I > V_{CCIO})$ All pins, except AD1IN[23:0]	$\pm 20 \text{ mA}$
	$I_{IK} (V_I < 0 \text{ or } V_I > V_{CCAD})$ AD1IN[23:0]	$\pm 10 \text{ mA}$
	Total	$\pm 40 \text{ mA}$
Operating free-air temperature range, $T_A$ :		-40°C to 105°C
Operating junction temperature range, $T_J$ :		-40°C to 150°C
Storage temperature range, $T_{stg}$		-65°C to 150°C

- (1) Stresses beyond those listed under “absolute maximum ratings” may cause permanent damage to the device. These are stress ratings only, and functional operation of the device at these or any other conditions beyond those indicated under “recommended operating conditions” is not implied. Exposure to absolute-maximum-rated conditions for extended periods may affect device reliability.
- (2) maximum-rated conditions for extended periods may affect device reliability. All voltage values are with respect to their associated grounds.

#### 3.2 Device Recommended Operating Conditions <sup>(1)</sup>

		MIN	NOM	MAX	UNIT
$V_{CC}$	Digital logic supply voltage (Core)	1.14	1.2	1.32	V
$V_{CCPLL}$	PLL Supply Voltage	1.14	1.2	1.32	V
$V_{CCIO}$	Digital logic supply voltage (I/O)	3	3.3	3.6	V
$V_{CCAD}$	MibADC supply voltage	3		5.25	V
$V_{CCP}$	Flash pump supply voltage	3	3.3	3.6	V
$V_{SS}$	Digital logic supply ground		0		V
$V_{SSAD}$	MibADC supply ground	-0.1		0.1	V
$V_{ADREFHI}$	A-to-D high-voltage reference source	$V_{SSAD}$		$V_{CCAD}$	V
$V_{ADREFLO}$	A-to-D low-voltage reference source	$V_{SSAD}$		$V_{CCAD}$	V
$T_A$	Operating free-air temperature	-40		105	°C
$T_J$	Operating junction temperature	-40		150	°C

- (1) All voltages are with respect to  $V_{SS}$ , except  $V_{CCAD}$ , which is with respect to  $V_{SSAD}$

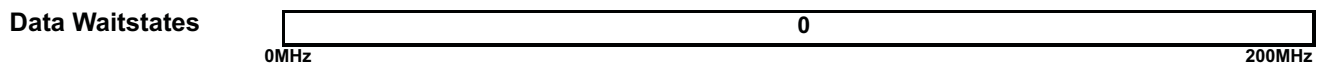
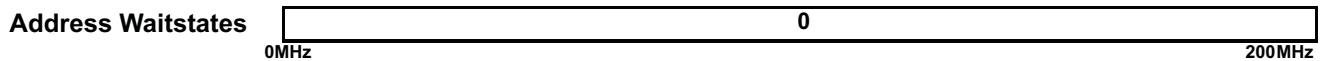
### 3.3 Switching Characteristics over Recommended Operating Conditions for Clock Domains

**Table 3-1. Clock Domain Timing Specifications**

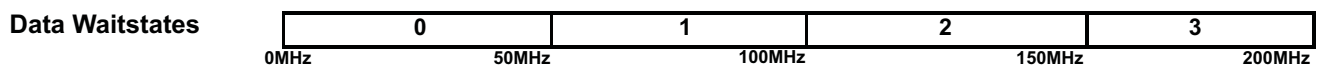
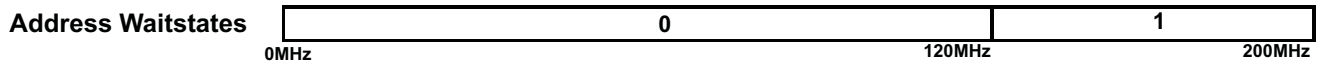
Parameter	Description	Conditions	Max	Unit
f <sub>HCLK</sub>	HCLK - System clock frequency	Pipeline mode enabled	200	MHz
		Pipeline mode disabled	50	MHz
f <sub>GCLK</sub>	GCLK - CPU clock frequency		f <sub>HCLK</sub>	MHz
f <sub>VCLK</sub>	VCLK - Primary peripheral clock frequency		100	MHz
f <sub>VCLK2</sub>	VCLK2 - Secondary peripheral clock frequency		100	MHz
f <sub>VCLK3</sub>	VCLK3 - Secondary peripheral clock frequency		100	MHz
f <sub>VCLKA1</sub>	VCLKA1 - Primary asynchronous peripheral clock frequency		100	MHz
f <sub>VCLKA2</sub>	VCLKA2 - Secondary asynchronous peripheral clock frequency		100	MHz
f <sub>VCLKA3</sub>	VCLKA3 - Primary asynchronous peripheral clock frequency		100	MHz
f <sub>VCLKA4</sub>	VCLKA4 - Secondary asynchronous peripheral clock frequency		100	MHz
f <sub>RTICK</sub>	RTICK - clock frequency		f <sub>VCLK</sub>	MHz

### 3.4 Wait States Required

#### RAM



#### Flash



**Figure 3-1. Wait States Scheme**

As shown in the figure above, the TCM RAM can support program and data fetches at full CPU speed without any address or data wait states required.

The TCM flash can support zero address and data wait states up to a CPU speed of 50MHz in non-pipelined mode.

The flash wrapper defaults to non-pipelined mode with zero address wait state and one random-read data wait state.

### 3.5 Power Consumption Over Recommended Operating Conditions

PARAMETER		TEST CONDITIONS	MIN	TYP	MAX	UNIT
I <sub>CC</sub>	V <sub>CC</sub> digital supply current (operating mode)	f <sub>HCLK</sub> = 200MHz  f <sub>VCLK</sub> = 100MHz, Flash in pipelined mode, V <sub>CCmax</sub>			350 for PGE Package 375 for ZWT Package400	mA
	V <sub>CC</sub> Digital supply current (LBIST mode)	LBIST clock rate = 100MHz			400	mA
	V <sub>CC</sub> Digital supply current (PBIST mode)	Peak PBIST ROM clock frequency = 100MHz  RMS			TBD 240	mA
I <sub>CCPLL</sub>	V <sub>CCPLL</sub> digital supply current (operating mode)	V <sub>CCPLL</sub> = V <sub>CCPLLmax</sub>			10	mA
I <sub>CCIO</sub>	V <sub>CCIO</sub> Digital supply current (operating mode).	No DC load, V <sub>CCmax</sub>			15	mA
I <sub>CCAD</sub>	V <sub>CCAD</sub> supply current (operating mode)	Single ADC operational, V <sub>CCADmax</sub>			15	mA
		Both ADCs operational, V <sub>CCADmax</sub>			30	
I <sub>CCREFHI</sub>	AD <sub>REFHI</sub> supply current (operating mode)	Single ADC operational, AD <sub>REFHI</sub> max			3	mA
		Both ADCs operational, AD <sub>REFHI</sub> max			6	
I <sub>CCP</sub>	V <sub>CCP</sub> supply current	read operation V <sub>CCPmax</sub>			34	mA
		program, V <sub>CCPmax</sub>			37	
		read from 1 bank and program another bank, V <sub>CCPmax</sub>			55	
		erase, V <sub>CCPmax</sub>			27	

### 3.6 Input/Output Electrical Characteristics Over Recommended Operating Conditions<sup>(1)</sup>

PARAMETER			TEST CONDITIONS	MIN	TYP	MAX	UNIT
V <sub>hys</sub>	Input hysteresis	All inputs		180			mV
V <sub>IL</sub>	Low-level input voltage	All inputs		-0.3		0.8	V
V <sub>IH</sub>	High-level input voltage	All inputs		2		V <sub>CCIO</sub> + 0.3	V
V <sub>OL</sub>	Low-level output voltage		I <sub>OL</sub> = I <sub>OLmax</sub>			0.2 V <sub>CCIO</sub>	V
			I <sub>OL</sub> = 50 μA, standard output mode			0.2	
			I <sub>OL</sub> = 50 μA, low-EMI output mode (see Section 3.10)			0.2 V <sub>CCIO</sub>	
V <sub>OH</sub>	High-level output voltage		I <sub>OH</sub> = I <sub>OHmax</sub>	0.8 V <sub>CCIO</sub>			V
			I <sub>OH</sub> = 50 μA, standard output mode	V <sub>CCIO</sub> - 0.2			
			I <sub>OH</sub> = 50 μA, low-EMI output mode (see Section 3.10)	0.8 V <sub>CCIO</sub>			
I <sub>IC</sub>	Input clamp current (I/O pins)		V <sub>I</sub> < V <sub>SSIO</sub> - 0.3 or V <sub>I</sub> > V <sub>CCIO</sub> + 0.3	-2		2	mA
I <sub>I</sub>	Input current (I/O pins)	I <sub>IH</sub> Pulldown 20μA	V <sub>I</sub> = V <sub>CCIO</sub>	5		40	μA
		I <sub>IH</sub> Pulldown 100μA	V <sub>I</sub> = V <sub>CCIO</sub>	40		195	
		I <sub>IL</sub> Pullup 20μA	V <sub>I</sub> = V <sub>SS</sub>	-40		-5	
		I <sub>IL</sub> Pullup 100μA	V <sub>I</sub> = V <sub>SS</sub>	-195		-40	
		All other pins	No pullup or pulldown	-1		1	
C <sub>I</sub>	Input capacitance				2		pF
C <sub>O</sub>	Output capacitance				3		pF

(1) Source currents (out of the device) are negative while sink currents (into the device) are positive.

### 3.7 Output Buffer Drive Strengths

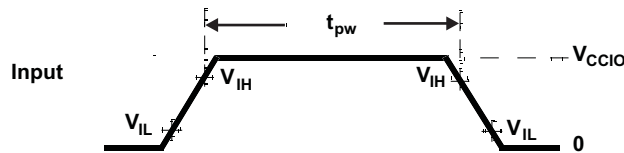
Table 3-2. Output Buffer Drive Strengths

Low-level Output Current, I <sub>OL</sub> for V <sub>I</sub> =V <sub>OLmax</sub> or High-level Output Current, I <sub>OH</sub> for V <sub>I</sub> =V <sub>OHmin</sub>	Signals
8mA	MIBSPI5CLK, MIBSPI5SOMI[0], MIBSPI5SOMI[1], MIBSPI5SOMI[2], MIBSPI5SOMI[3], MIBSPI5SIMO[0], MIBSPI5SIMO[1], MIBSPI5SIMO[2], MIBSPI5SIMO[3], TMS, TDI, TDO, RTCK, SPI4CLK, SPI4SIMO, SPI4SOMI, nERROR, N2HET2[1], N2HET2[3], N2HET2[5], N2HET2[7], N2HET2[9], N2HET2[11], N2HET2[13], N2HET2[15] ECAP1, ECAP4, ECAP5, ECAP6 EQEP1, EQEP1S, EQEP2, EQEP2S EPWM1A, EPWM1B, EPWM1SYNCO, ETPW2A, EPWM2B, EPWM3A, EPWM3B, EPWM4A, EPWM4B, EPWM5A, EPWM5B, EPWM6A, EPWM6B, EPWM7A, EPWM7B EMIF_ADDR[0:12], EMIF_BA[0:1], EMIF_CKE, EMIF_CLK, EMIF_DATA[0:15], EMIF_nCAS, EMIF_nCS[0:4], EMIF_nDQM[0:1], EMIF_nOE, EMIF_nRAS, EMIF_nWAIT, EMIF_nWE, EMIF_RNW USB1.PortPower, USB1.SPEED, USB1.SUSPEND, USB1.TXDAT, USB1.TXEN, USB1.TXSE0, USB2.PortPower, USB2.SPEED, USB2.SUSPEND, USB2.TXDAT, USB2.TXEN, USB2.TXSE0, USB_FUNC.GZO, USB_FUNC.PUENO, USB_FUNC.PUENON, USB_FUNC.SE00, USB_FUNC.SUSPENDO, USB_FUNC.TXDO

**Table 3-2. Output Buffer Drive Strengths (continued)**

Low-level Output Current, $I_{OL}$ for $V_I=V_{OLmax}$ or High-level Output Current, $I_{OH}$ for $V_I=V_{OHmin}$	Signals
4mA	TEST, MIBSPI3SOMI, MIBSPI3SIMO, MIBSPI3CLK, MIBSPI1SIMO, MIBSPI1SOMI, MIBSPI1CLK, ECAP2, ECAP3 nRST
2mA zero-dominant	AD1EVT, CAN1RX, CAN1TX, CAN2RX, CAN2TX, CAN3RX, CAN3TX, GIOA[0-7], GIOB[0-7], LINRX, LINTX, MIBSPI1NCS[0], MIBSPI1NCS[1-3], MIBSPI1NENA, MIBSPI3NCS[0-3], MIBSPI3NENA, MIBSPI5NCS[0-3], MIBSPI5NENA, N2HET1[0-31], N2HET2[0], N2HET2[2], N2HET2[4], N2HET2[5], N2HET2[6], N2HET2[7], N2HET2[8], N2HET2[9], N2HET2[10], N2HET2[11], N2HET2[12], N2HET2[13], N2HET2[14], N2HET2[15], N2HET2[16], N2HET2[18], SPI2NCS[0], SPI2NENA, SPI4NCS[0], SPI4NENA
selectable 8mA / 2mA	ECLK, SPI2CLK, SPI2SIMO, SPI2SOMI The default output buffer drive strength is 8mA for these signals.

### 3.8 Input Timings



**Figure 3-2. TTL-Level Inputs**

**Table 3-3. Timing Requirements for Inputs<sup>(1)</sup>**

Parameter	MIN	MAX	Unit
$t_{pw}$	Input minimum pulse width	$t_{c(VCLK)} + 10^{(2)}$	ns
$t_{in\_slew}$	Time for input signal to go from $V_{IL}$ to $V_{IH}$ or from $V_{IH}$ to $V_{IL}$	1	ns

(1)  $t_{c(VCLK)}$  = peripheral VBUS clock cycle time =  $1 / f_{(VCLK)}$   
 (2) The timing shown above is only valid for pin used in general-purpose input mode.

### 3.9 Output Timings

**Table 3-4. Switching Characteristics for Output Timings versus Load Capacitance (C<sub>L</sub>)**

Parameter		MIN	MAX	Unit		
Rise time, t <sub>r</sub>	8mA low EMI pins (see Table 3-2)	CL = 15 pF		2.5	ns	
		CL = 50 pF		4		
		CL = 100 pF		7.2		
		CL = 150 pF		12.5		
Fall time, t <sub>f</sub>		CL = 15 pF		2.5	ns	
		CL = 50 pF		4		
		CL = 100 pF		7.2		
		CL = 150 pF		12.5		
Rise time, t <sub>r</sub>	4mA low EMI pins (see Table 3-2)	CL = 15 pF		5.6	ns	
		CL = 50 pF		10.4		
		CL = 100 pF		16.8		
		CL = 150 pF		23.2		
Fall time, t <sub>f</sub>		CL = 15 pF		5.6	ns	
		CL = 50 pF		10.4		
		CL = 100 pF		16.8		
		CL = 150 pF		23.2		
Rise time, t <sub>r</sub>	2mA-z low EMI pins (see Table 3-2)	CL = 15 pF		8	ns	
		CL = 50 pF		15		
		CL = 100 pF		23		
		CL = 150 pF		33		
Fall time, t <sub>f</sub>		CL = 15 pF		8	ns	
		CL = 50 pF		15		
		CL = 100 pF		23		
		CL = 150 pF		33		
Rise time, t <sub>r</sub>	Selectable 8mA / 2mA-z pins (see Table 3-2)	8mA mode	CL = 15 pF		2	ns
			CL = 50 pF		4	
			CL = 100 pF		8	
			CL = 150 pF		11	
Fall time, t <sub>f</sub>		2mA-z mode	CL = 15 pF		2	ns
			CL = 50 pF		4	
			CL = 100 pF		8	
			CL = 150 pF		11	
Rise time, t <sub>r</sub>	Selectable 8mA / 2mA-z pins (see Table 3-2)	2mA-z mode	CL = 15 pF		8	ns
			CL = 50 pF		15	
			CL = 100 pF		23	
			CL = 150 pF		33	
Fall time, t <sub>f</sub>		2mA-z mode	CL = 15 pF		8	ns
			CL = 50 pF		15	
			CL = 100 pF		23	
			CL = 150 pF		33	

PRODUCT PREVIEW



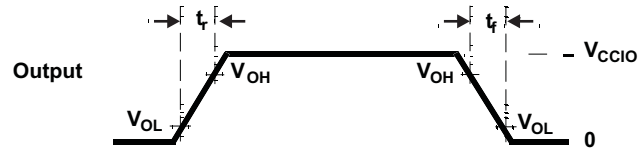


Figure 3-3. CMOS-Level Outputs

Table 3-5. Timing Requirements for Outputs<sup>(1)</sup>

Parameter		MIN	MAX	UNIT
$t_{d(\text{parallel\_out})}$	Delay between low to high, or high to low transition of general-purpose output signals that can be configured by an application in parallel, e.g. all signals in a GIOA port, or all N2HET1 signals, etc.		6	ns

(1) This specification does not account for any output buffer drive strength differences or any external capacitive loading differences. Check [Table 3-2](#) for output buffer drive strength information on each signal.

### 3.10 Low-EMI Output Buffers

The low-EMI output buffer has been designed explicitly to address the issue of decoupling sources of emissions from the pins which they drive. This is accomplished by adaptively controlling the impedance of the output buffer, and is particularly effective with capacitive loads.

This is not the default mode of operation of the low-EMI output buffers and must be enabled by setting the system module GPCR1 register for the desired module or signal, as shown in [Table 3-6](#). The adaptive impedance control circuit monitors the DC bias point of the output signal. The buffer internally generates two reference levels, VREFLOW and VREFHIGH, which are set to approximately 10% and 90% of VCCIO, respectively.

Once the output buffer has driven the output to a low level, if the output voltage is below VREFLOW, then the output buffer's impedance will increase to hi-Z. A high degree of decoupling between the internal ground bus and the output pin will occur with capacitive loads, or any load in which no current is flowing, e.g. the buffer is driving low on a resistive path to ground. Current loads on the buffer which attempt to pull the output voltage above VREFLOW will be opposed by the buffer's output impedance so as to maintain the output voltage at or below VREFLOW.

Conversely, once the output buffer has driven the output to a high level, if the output voltage is above VREFHIGH then the output buffer's impedance will again increase to hi-Z. A high degree of decoupling between internal power bus and output pin will occur with capacitive loads or any loads in which no current is flowing, e.g. buffer is driving high on a resistive path to VCCIO. Current loads on the buffer which attempt to pull the output voltage below VREFHIGH will be opposed by the buffer's output impedance so as to maintain the output voltage at or above VREFHIGH.

The bandwidth of the control circuitry is relatively low, so that the output buffer in adaptive impedance control mode cannot respond to high-frequency noise coupling into the buffer's power buses. In this manner, internal bus noise approaching 20% peak-to-peak of VCCIO can be rejected.

Unlike standard output buffers which clamp to the rails, an output buffer in impedance control mode will allow a positive current load to pull the output voltage up to VCCIO + 0.6V without opposition. Also, a negative current load will pull the output voltage down to VSSIO – 0.6V without opposition. This is not an issue since the actual clamp current capability is always greater than the IOH / IOL specifications.

The low-EMI output buffers are automatically configured to be in the standard buffer mode when the device enters a low-power mode.

**Table 3-6. Low-EMI Output Buffer Hookup**

Module or Signal Name	Control Register to Enable Low-EMI Mode
Module: MibSPI1	GPREG1.0
Module: SPI2	GPREG1.1
Module: MibSPI3	GPREG1.2
Reserved	GPREG1.3
Module: MibSPI5	GPREG1.4
Reserved	GPREG1.5
Module: EMIF	GPREG1.6
Reserved	GPREG1.7
Signal: TMS	GPREG1.8
Signal: TDI	GPREG1.9
Signal: TDO	GPREG1.10
Signal: RTCK	GPREG1.11
Signal: TEST	GPREG1.12
Signal: nERROR	GPREG1.13
Signal: AD1EVT	GPREG1.14

## 4 System Information and Electrical Specifications

### 4.1 Device Power Domains

The device core logic is split up into multiple power domains in order to optimize the power for a given application use case. There are 6 core power domains in total: PD1, PD2, PD3, PD5, RAM\_PD1, and RAM\_PD2. Refer to [Section 1.4](#) for more information.

PD1 is an "always-ON" power domain, which cannot be turned off. Each of the other core power domains can be turned ON/OFF one time during device initialization as per the application requirement. Refer to the Power Management Module (PMM) chapter of the device technical reference manual for more details.

---

#### NOTE

The clocks to a module must be turned off before powering down the core domain that contains the module.

---



---

#### NOTE

The logic in the modules that are powered down loses its power completely. Any access to modules that are powered down results in an abort being generated. When power is restored, the modules power-up to their default states (after normal power-up). No register or memory contents are preserved in the core domains that are turned off.

---

### 4.2 Voltage Monitor Characteristics

A voltage monitor is implemented on this device. The purpose of this voltage monitor is to eliminate the requirement for a specific sequence when powering up the core and I/O voltage supplies.

#### 4.2.1 Important Considerations

- The voltage monitor does not eliminate the need of a voltage supervisor circuit to guarantee that the device is held in reset when the voltage supplies are out of range.
- The voltage monitor only monitors the core supply (VCC) and the I/O supply (VCCIO). The other supplies are not monitored by the VMON. For example, if the VCCAD or VCCP are supplied from a source different from that for VCCIO, then there is no internal voltage monitor for the VCCAD and VCCP supplies.

#### 4.2.2 Voltage Monitor Operation

The voltage monitor generates the Power Good MCU signal (PGMCU) as well as the I/Os Power Good IO signal (PGIO) on the device. During power-up or power-down, the PGMCU and PGIO are driven low when the core or I/O supplies are lower than the specified minimum monitoring thresholds. The PGIO and PGMCU being low isolates the core logic as well as the I/O controls during the power-up or power-down of the supplies. This allows the core and I/O supplies to be powered up or down in any order.

When the voltage monitor detects a low voltage on the I/O supply, it will assert a power-on reset. When the voltage monitor detects an out-of-range voltage on the core supply, it asynchronously makes all output pins high impedance, and asserts a power-on reset. The voltage monitor is disabled when the device enters a low power mode.

The VMON also incorporates a glitch filter for the nPORRST input. Refer to [Section 4.3.3.1](#) for the timing information on this glitch filter.

**Table 4-1. Voltage Monitoring Specifications**

PARAMETER			MIN	TYP	MAX	UNIT
V <sub>MON</sub>	Voltage monitoring thresholds	VCC low - VCC level below this threshold is detected as too low.	0.8	0.9	1.0	V
		VCC high - VCC level above this threshold is detected as too high.	1.40	1.7	2.1	
		VCCIO low - VCCIO level below this threshold is detected as too low.	1.9	2.4	2.9	

**4.2.3 Supply Filtering**

The V<sub>MON</sub> has the capability to filter glitches on the VCC and VCCIO supplies.

The following table shows the characteristics of the supply filtering. Glitches in the supply larger than the maximum specification cannot be filtered.

**Table 4-2. V<sub>MON</sub> Supply Glitch Filtering Capability**

Parameter	MIN	MAX
Width of glitch on VCC that can be filtered	250ns	1us
Width of glitch on VCCIO that can be filtered	250ns	1us

## 4.3 Power Sequencing and Power On Reset

### 4.3.1 Power-Up Sequence

There is no timing dependency between the ramp of the VCCIO and the VCC supply voltage. The power-up sequence starts with the I/O voltage rising above the minimum I/O supply threshold, (see Table 4-4 for more details), core voltage rising above the minimum core supply threshold and the release of power-on reset. The high frequency oscillator will start up first and its amplitude will grow to an acceptable level. The oscillator start up time is dependent on the type of oscillator and is provided by the oscillator vendor. The different supplies to the device can be powered up in any order.

The device goes through the following sequential phases during power up.

**Table 4-3. Power-Up Phases**

Oscillator start-up and validity check	1032 oscillator cycles
eFuse autoload	1160 oscillator cycles
Flash pump power-up	688 oscillator cycles
Flash bank power-up	617 oscillator cycles
<b>Total</b>	<b>3497 oscillator cycles</b>

The CPU reset is released at the end of the above sequence and fetches the first instruction from address 0x00000000.

### 4.3.2 Power-Down Sequence

The different supplies to the device can be powered down in any order.

### 4.3.3 Power-On Reset: nPORRST

This is the power-on reset. This reset must be asserted by an external circuitry whenever the I/O or core supplies are outside the specified recommended range. This signal has a glitch filter on it. It also has an internal pulldown.

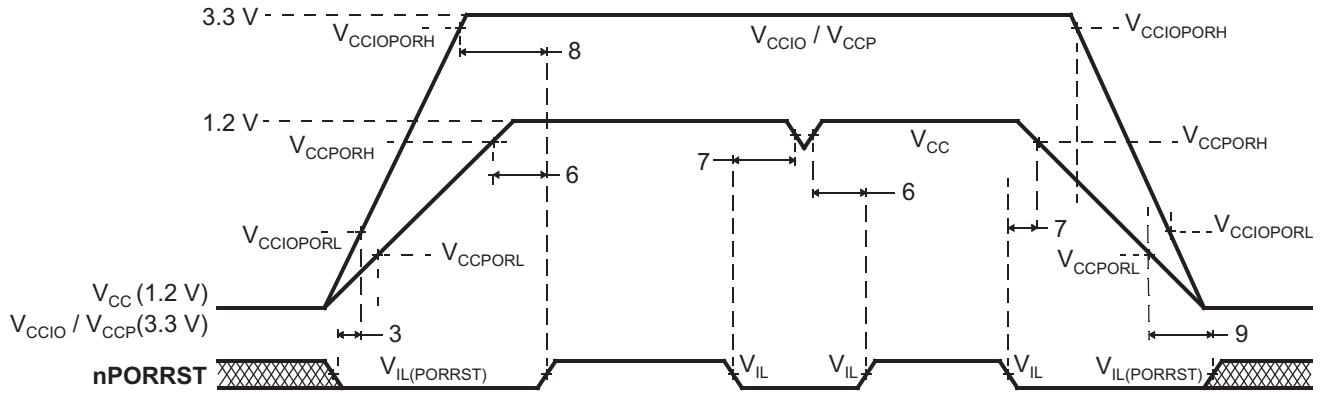
#### 4.3.3.1 nPORRST Electrical and Timing Requirements

**Table 4-4. Electrical Requirements for nPORRST**

NO	Parameter	MIN	MAX	Unit
	V <sub>CCPORL</sub>	V <sub>CC</sub> low supply level when nPORRST must be active during power-up	0.5	V
	V <sub>CCPORH</sub>	V <sub>CC</sub> high supply level when nPORRST must remain active during power-up and become active during power down	1.14	V
	V <sub>CCIOPORL</sub>	V <sub>CCIO</sub> / V <sub>CCP</sub> low supply level when nPORRST must be active during power-up	1.1	V
	V <sub>CCIOPORH</sub>	V <sub>CCIO</sub> / V <sub>CCP</sub> high supply level when nPORRST must remain active during power-up and become active during power down	3.0	V
	V <sub>IL(PORRST)</sub>	Low-level input voltage of nPORRST V <sub>CCIO</sub> > 2.5V	0.2 * V <sub>CCIO</sub>	V
		Low-level input voltage of nPORRST V <sub>CCIO</sub> < 2.5V	0.5	V
3	t <sub>su(PORRST)</sub>	Setup time, nPORRST active before V <sub>CCIO</sub> and V <sub>CCP</sub> > V <sub>CCIOPORL</sub> during power-up	0	ms
6	t <sub>h(PORRST)</sub>	Hold time, nPORRST active after V <sub>CC</sub> > V <sub>CCPORH</sub>	1	ms
7	t <sub>su(PORRST)</sub>	Setup time, nPORRST active before V <sub>CC</sub> < V <sub>CCPORH</sub> during power down	2	µs
8	t <sub>h(PORRST)</sub>	Hold time, nPORRST active after V <sub>CCIO</sub> and V <sub>CCP</sub> > V <sub>CCIOPORH</sub>	1	ms
9	t <sub>h(PORRST)</sub>	Hold time, nPORRST active after V <sub>CC</sub> < V <sub>CCPORL</sub>	0	ms

**Table 4-4. Electrical Requirements for nPORRST (continued)**

NO	Parameter	MIN	MAX	Unit
	$t_{f(nPORRST)}$	500	2000	ns
	Filter time nPORRST pin; pulses less than MIN will be filtered out, pulses greater than MAX will generate a reset.			



NOTE: There is no timing dependency between the ramp of the VCCIO and the VCC supply voltage; this is just an exemplary drawing.

**Figure 4-1. nPORRST Timing Diagram**

PRODUCT PREVIEW

#### 4.4 Warm Reset (nRST)

This is a bidirectional reset signal. The internal circuitry drives the signal low on detecting any device reset condition. An external circuit can assert a device reset by forcing the signal low. On this terminal, the output buffer is implemented as an open drain (drives low only). To ensure an external reset is not arbitrarily generated, TI recommends that an external pullup resistor is connected to this terminal.

This terminal has a glitch filter. It also has an internal pullup

##### 4.4.1 Causes of Warm Reset

**Table 4-5. Causes of Warm Reset**

DEVICE EVENT	SYSTEM STATUS FLAG
Power-Up Reset	Exception Status Register, bit 15
Oscillator fail	Global Status Register, bit 0
PLL slip	Global Status Register, bits 8 and 9
Watchdog exception / Debugger reset	Exception Status Register, bit 13
CPU Reset (driven by the CPU STC)	Exception Status Register, bit 5
Software Reset	Exception Status Register, bit 4
External Reset	Exception Status Register, bit 3

##### 4.4.2 nRST Timing Requirements

**Table 4-6. nRST Timing Requirements<sup>(1)</sup>**

	PARAMETER	MIN	MAX	UNIT
$t_{V(RST)}$	Valid time, nRST active after nPORRST inactive	$1160 t_{c(OSC)} + 1048 t_{c(OSC)}$		ns
	Valid time, nRST active (all other System reset conditions)	$8 t_{c(VCLK)}$		
$t_{f(nRST)}$	Filter time nRST pin; pulses less than MIN will be filtered out, pulses greater than MAX will generate a reset	500	2000	ns

(1) Specified values do NOT include rise/fall times. For rise and fall timings, see [Table 3-4](#).

## 4.5 ARM® Cortex-R4F™ CPU Information

### 4.5.1 Summary of ARM Cortex-R4F™ CPU Features

The features of the ARM Cortex-R4F™ CPU include:

- An integer unit with integral EmbeddedICE-RT logic.
- High-speed Advanced Microprocessor Bus Architecture (AMBA) Advanced eXtensible Interfaces (AXI) for Level two (L2) master and slave interfaces.
- Floating Point Coprocessor
- Dynamic branch prediction with a global history buffer, and a 4-entry return stack
- Low interrupt latency.
- Non-maskable interrupt.
- A Harvard Level one (L1) memory system with:
  - Tightly-Coupled Memory (TCM) interfaces with support for error correction or parity checking memories
  - ARMv7-R architecture Memory Protection Unit (MPU) with 12 regions
- Dual core logic for fault detection in safety-critical applications.
- An L2 memory interface:
  - Single 64-bit master AXI interface
  - 64-bit slave AXI interface to TCM RAM blocks
- A debug interface to a CoreSight Debug Access Port (DAP).
- A Performance Monitoring Unit (PMU).
- A Vectored Interrupt Controller (VIC) port.

For more information on the ARM Cortex-R4F™ CPU please see [www.arm.com](http://www.arm.com).

### 4.5.2 ARM Cortex-R4F™ CPU Features Enabled by Software

The following CPU features are disabled on reset and must be enabled by the application if required.

- ECC On Tightly-Coupled Memory (TCM) Accesses
- Hardware Vectored Interrupt (VIC) Port
- Floating Point Coprocessor
- Memory Protection Unit (MPU)

### 4.5.3 Dual Core Implementation

The device has two Cortex-R4F cores, where the output signals of both CPUs are compared in the CCM-R4 unit. To avoid common mode impacts the signals of the CPUs to be compared are delayed by 2 clock cycles as shown in [Figure 4-3](#).

The CPUs have a diverse CPU placement given by following requirements:

- different orientation; e.g. CPU1 = "north" orientation, CPU2 = "flip west" orientation
- dedicated guard ring for each CPU



**Figure 4-2. Dual - CPU Orientation**



#### 4.5.4 Duplicate clock tree after GCLK

The CPU clock domain is split into two clock trees, one for each CPU, with the clock of the 2nd CPU running at the same frequency and in phase to the clock of CPU1. See [Figure 4-3](#).

#### 4.5.5 ARM Cortex-R4F™ CPU Compare Module (CCM) for Safety

This device has two ARM Cortex-R4F™ CPU cores, where the output signals of both CPUs are compared in the CCM-R4 unit. To avoid common mode impacts the signals of the CPUs to be compared are delayed in a different way as shown in the figure below.

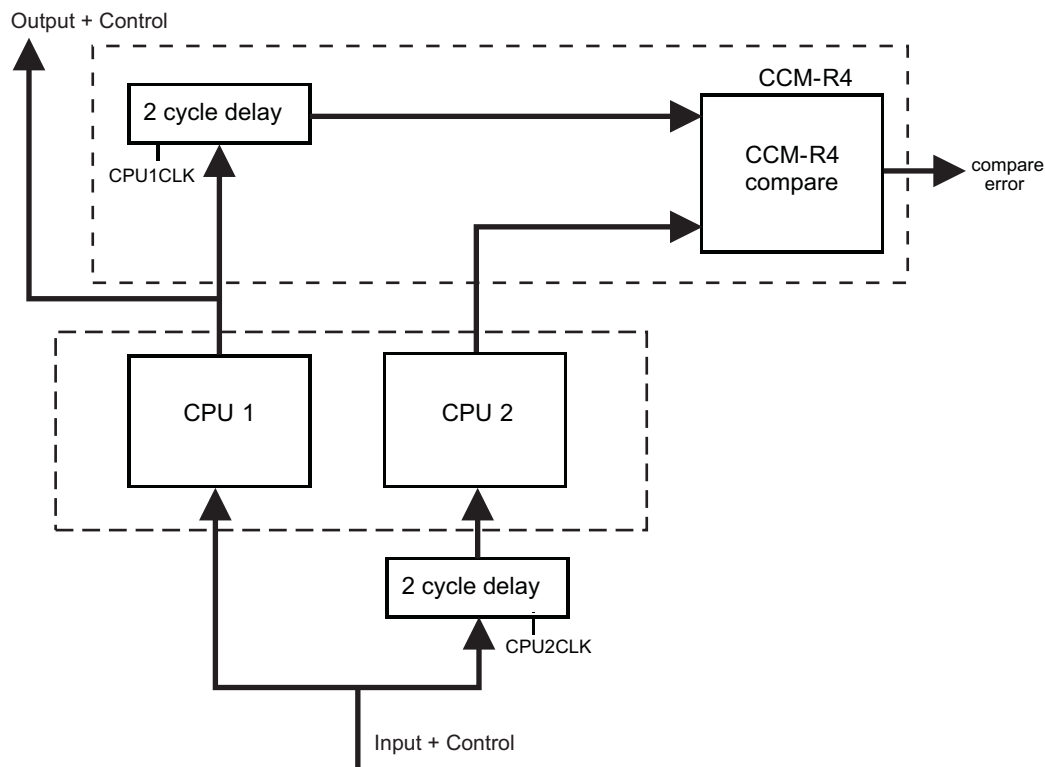


Figure 4-3. Dual Core Implementation

To avoid an erroneous CCM-R4 compare error, the application software must initialize the registers of both CPUs before the registers are used, including function calls where the register values are pushed onto the stack.

#### 4.5.6 CPU Self-Test

The CPU STC (Self-Test Controller) is used to test the two Cortex-R4F CPU Cores using the Deterministic Logic BIST Controller as the test engine.

The main features of the self-test controller are:

- Ability to divide the complete test run into independent test intervals
- Capable of running the complete test as well as running few intervals at a time
- Ability to continue from the last executed interval (test set) as well as ability to restart from the beginning (First test set)
- Complete isolation of the self-tested CPU core from rest of the system during the self-test run
- Ability to capture the Failure interval number
- Timeout counter for the CPU self-test run as a fail-safe feature

#### 4.5.6.1 Application Sequence for CPU Self-Test

1. Configure clock domain frequencies.
2. Select number of test intervals to be run.
3. Configure the timeout period for the self-test run.
4. Enable self-test.
5. Wait for CPU reset.
6. In the reset handler, read CPU self-test status to identify any failures.
7. Retrieve CPU state if required.

For more information see the device Technical Reference Manual.

#### 4.5.6.2 CPU Self-Test Clock Configuration

The maximum clock rate for the self-test is 100MHz. The STCCLK is divided down from the CPU clock. This divider is configured by the STCCLKDIV register at address 0xFFFFE108.

For more information see the device Technical Reference Manual.

#### 4.5.6.3 CPU Self-Test Coverage

Table 4-7 shows CPU test coverage achieved for each self-test interval. It also lists the cumulative test cycles. The test time can be calculated by multiplying the number of test cycles with the STC clock period.

**Table 4-7. CPU Self-Test Coverage**

INTERVALS	TEST COVERAGE, %	TEST CYCLES
0	0	0
1	62.13	1365
2	70.09	2730
3	74.49	4095
4	77.28	5460
5	79.28	6825
6	80.90	8190
7	82.02	9555
8	83.10	10920
9	84.08	12285
10	84.87	13650
11	85.59	15015
12	86.11	16380
13	86.67	17745
14	87.16	19110
15	87.61	20475
16	87.98	21840
17	88.38	23205
18	88.69	24570
19	88.98	25935
20	89.28	27300
21	89.50	28665
22	89.76	30030
23	90.01	31395
24	90.21	32760

PRODUCT PREVIEW

## 4.6 Clocks

### 4.6.1 Clock Sources

The table below lists the available clock sources on the device. Each of the clock sources can be enabled or disabled using the CSDISx registers in the system module. The clock source number in the table corresponds to the control bit in the CSDISx register for that clock source.

The table also shows the default state of each clock source.

**Table 4-8. Available Clock Sources**

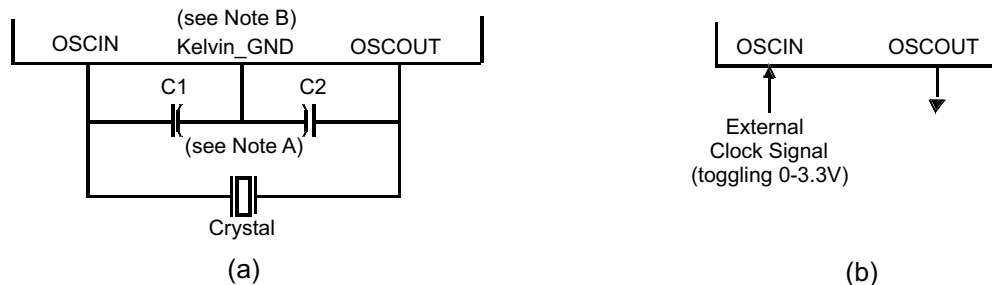
Clock Source #	Name	Description	Default State
0	OSCIN	Main Oscillator	Enabled
1	PLL1	Output From PLL1	Disabled
2	Reserved	Reserved	Disabled
3	EXTCLKIN1	External Clock Input #1	Disabled
4	LFLPO	Low Frequency Output of Internal Reference Oscillator	Enabled
5	HFLPO	High Frequency Output of Internal Reference Oscillator	Enabled
6	PLL2	Output From PLL2	Disabled
7	EXTCLKIN2	External Clock Input #2	Disabled

#### 4.6.1.1 Main Oscillator

The oscillator is enabled by connecting the appropriate fundamental resonator/crystal and load capacitors across the external OSCIN and OSCOUT pins as shown in Figure 4-4. The oscillator is a single stage inverter held in bias by an integrated bias resistor. This resistor is disabled during leakage test measurement and low power modes.

**TI strongly encourages each customer to submit samples of the device to the resonator/crystal vendors for validation. The vendors are equipped to determine what load capacitors will best tune their resonator/crystal to the microcontroller device for optimum start-up and operation over temperature/voltage extremes.**

An external oscillator source can be used by connecting a 3.3V clock signal to the OSCIN pin and leaving the OSCOUT pin unconnected (open) as shown in the figure below.



Note A: The values of C1 and C2 should be provided by the resonator/crystal vendor.

Note B: Kelvin\_GND should not be connected to any other GND.

**Figure 4-4. Recommended Crystal/Clock Connection**

**4.6.1.1.1 Timing Requirements for Main Oscillator**

**Table 4-9. Timing Requirements for Main Oscillator**

Parameter		MIN	Type	MAX	Unit
tc(OSC)	Cycle time, OSCIN (when using a sine-wave input)	50		200	ns
tc(OSC_SQR)	Cycle time, OSCIN, (when input to the OSCIN is a square wave )	12.5		200	ns
tw(OSCIL)	Pulse duration, OSCIN low (when input to the OSCIN is a square wave)	15			ns
tw(OSCIH)	Pulse duration, OSCIN high (when input to the OSCIN is a square wave)	15			ns

### 4.6.1.2 Low Power Oscillator

The Low Power Oscillator (LPO) is comprised of two oscillators — HF LPO and LF LPO, in a single macro.

#### 4.6.1.2.1 Features

The main features of the LPO are:

- Supplies a clock at extremely low power for power-saving modes. This is connected as clock source # 4 of the Global Clock Module.
- Supplies a high-frequency clock for non-timing-critical systems. This is connected as clock source # 5 of the Global Clock Module.
- Provides a comparison clock for the crystal oscillator failure detection circuit.

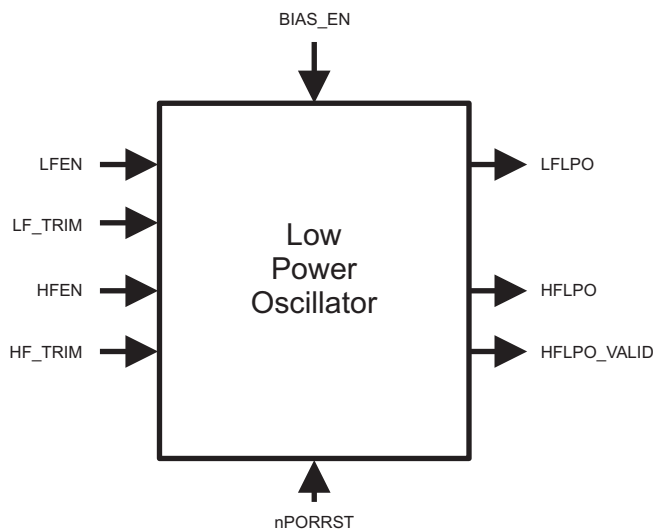


Figure 4-5. LPO Block Diagram

Figure 4-5 shows a block diagram of the internal reference oscillator. This is a low power oscillator (LPO) and provides two clock sources: one nominally 80KHz and one nominally 10MHz.

Table 4-10. LPO Specifications

Parameter		MIN	Typical	MAX	Unit
Clock Detection	oscillator fail frequency - lower threshold, using untrimmed LPO output	1.375	2.4	4.875	MHz
	oscillator fail frequency - higher threshold, using untrimmed LPO output	22	38.4	78	MHz
LPO - HF oscillator	untrimmed frequency	5.5	9.6	19.5	MHz
	startup time from STANDBY (LPO BIAS_EN High for at least 900µs)			10	µs
	cold startup time			900	µs
LPO - LF oscillator	untrimmed frequency	36	85	180	kHz
	startup time from STANDBY (LPO BIAS_EN High for at least 900µs)			100	µs
	cold startup time			2000	µs

### 4.6.1.3 Phase Locked Loop (PLL) Clock Modules

The PLL is used to multiply the input frequency to some higher frequency.

The main features of the PLL are:

- Frequency modulation can be optionally superimposed on the synthesized frequency of PLL1. The frequency modulation capability of PLL2 is permanently disabled.
- Configurable frequency multipliers and dividers.
- Built-in PLL Slip monitoring circuit.
- Option to reset the device on a PLL slip detection.

#### 4.6.1.3.1 Block Diagram

Figure 4-6 shows a high-level block diagram of the two PLL macros on this microcontroller. PLLCTL1 and PLLCTL2 are used to configure the multiplier and dividers for the PLL1. PLLCTL3 is used to configure the multiplier and dividers for PLL2.

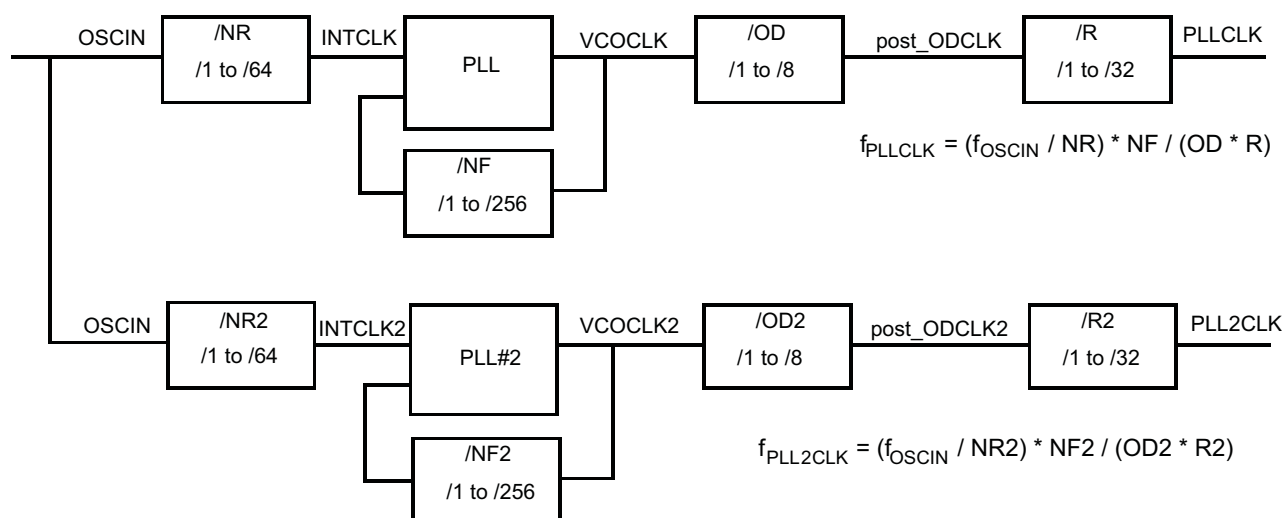


Figure 4-6. PLLx Block Diagram

#### 4.6.1.3.2 PLL Timing Specifications

Table 4-11. PLL Timing Specifications

PARAMETER		MIN	MAX	UNIT
f <sub>INTCLK</sub>	PLL1 Reference Clock frequency	1	f <sub>(OSC_SQR)</sub>	MHz
f <sub>post_ODCLK</sub>	Post-ODCLK – PLL1 Post-divider input clock frequency		400	MHz
f <sub>VCOCLK</sub>	VCOCLK – PLL1 Output Divider (OD) input clock frequency	150	550	MHz
f <sub>INTCLK2</sub>	PLL2 Reference Clock frequency	1	f <sub>(OSC_SQR)</sub>	MHz
f <sub>post_ODCLK2</sub>	Post-ODCLK – PLL2 Post-divider input clock frequency		400	MHz
f <sub>VCOCLK2</sub>	VCOCLK – PLL2 Output Divider (OD) input clock frequency	150	550	MHz

#### 4.6.1.4 External Clock Inputs

The device supports up to two external clock inputs. This clock input must be a square wave input. The electrical and timing requirements for these clock inputs are specified below.

**Table 4-12. External Clock Timing and Electrical Specifications**

Parameter	Description	Min	Max	Unit
$f_{EXTCLKx}$	External clock input frequency		80	MHz
$t_{w(EXTCLKIN)H}$	EXTCLK high-pulse duration	6		ns
$t_{w(EXTCLKIN)L}$	EXTCLK low-pulse duration	6		ns
$V_{IL(EXTCLKIN)}$	Low-level input voltage	-0.3	0.8	V
$V_{IH(EXTCLKIN)}$	High-level input voltage	2	VCCIO + 0.3	V

### 4.6.2 Clock Domains

#### 4.6.2.1 Clock Domain Descriptions

The table below lists the device clock domains and their default clock sources. The table also shows the system module control register that is used to select an available clock source for each clock domain.

**Table 4-13. Clock Domain Descriptions**

Clock Domain Name	Default Clock Source	Clock Source Selection Register	Description
HCLK	OSCIN	GHVSR	<ul style="list-style-type: none"> <li>Is disabled via the CDDISx registers bit 1</li> <li>Used for all system modules including DMA, ESM</li> </ul>
GCLK	OSCIN	GHVSR	<ul style="list-style-type: none"> <li>Always the same frequency as HCLK</li> <li>In phase with HCLK</li> <li>Is disabled separately from HCLK via the CDDISx registers bit 0</li> <li>Can be divided by 1 up to 8 when running CPU self-test (LBIST) using the CLKDIV field of the STCCLKDIV register at address 0xFFFFE108</li> </ul>
GCLK2	OSCIN	GHVSR	<ul style="list-style-type: none"> <li>Always the same frequency as GCLK</li> <li>2 cycles delayed from GCLK</li> <li>Is disabled along with GCLK</li> <li>Gets divided by the same divider setting as that for GCLK when running CPU self-test (LBIST)</li> </ul>
VCLK	OSCIN	GHVSR	<ul style="list-style-type: none"> <li>Divided down from HCLK</li> <li>Can be HCLK/1, HCLK/2, ... or HCLK/16</li> <li>Is disabled separately from HCLK via the CDDISx registers bit 2</li> </ul>
VCLK2	OSCIN	GHVSR	<ul style="list-style-type: none"> <li>Divided down from HCLK</li> <li>Can be HCLK/1, HCLK/2, ... or HCLK/16</li> <li>Frequency must be an integer multiple of VCLK frequency</li> <li>Is disabled separately from HCLK via the CDDISx registers bit 3</li> </ul>
VCLK3	OSCIN	GHVSR	<ul style="list-style-type: none"> <li>Divided down from HCLK</li> <li>Can be HCLK/1, HCLK/2, ... or HCLK/16</li> <li>Is disabled separately from HCLK via the CDDISx registers bit 8</li> </ul>
VCLK4	OSCIN	GHVSR	<ul style="list-style-type: none"> <li>Divided down from HCLK</li> <li>Can be HCLK/1, HCLK/2, ... or HCLK/16</li> <li>Is disabled separately from HCLK via the CDDISx registers bit 9</li> </ul>
VCLKA1	VCLK	VCLKASRC	<ul style="list-style-type: none"> <li>Defaults to VCLK as the source</li> <li>Is disabled via the CDDISx registers bit 4</li> </ul>
VCLKA2	VCLK	VCLKASRC	<ul style="list-style-type: none"> <li>Defaults to VCLK as the source</li> <li>Is disabled via the CDDISx registers bit 5</li> </ul>

**Table 4-13. Clock Domain Descriptions (continued)**

Clock Domain Name	Default Clock Source	Clock Source Selection Register	Description
VCLKA3_S	VCLK	VCLKACON	<ul style="list-style-type: none"> <li>• Defaults to VCLK as the source</li> <li>• Frequency can be as fast as HCLK frequency.</li> <li>• Is disabled via the CDDISx registers bit 10</li> </ul>
VCLKA3_DIVR	VCLK	VCLKACON1	<ul style="list-style-type: none"> <li>• Divided down from the AVCLK3_S using the VCLKA3R field of the VCLKACON1 register at address 0xFFFFE140</li> <li>• Frequency can be VCLKA3_S/1, VCLKA3_S/2, ..., or VCLKA3_S/8</li> <li>• Default frequency is VCLKA3_S/2</li> <li>• Is disabled separately via the VCLKACON1 register VCLKA3_DIV_CDDIS bit only if the VCLKA3_S clock is not disabled</li> </ul>
VCLKA4_S	VCLK	VCLKACON1	<ul style="list-style-type: none"> <li>• Defaults to VCLK as the source</li> <li>• Frequency can be as fast as HCLK frequency</li> <li>• Is disabled via the CDDISx registers bit 11</li> </ul>
VCLKA4_DIVR	VCLK	VCLKACON1	<ul style="list-style-type: none"> <li>• Divided down from the VCLKA4_S using the VCLKA4R field of the VCLKACON1 register at address 0xFFFFE140</li> <li>• Frequency can be VCLKA4_S/1, VCLKA4_S/2, ..., or VCLKA4_S/8</li> <li>• Default frequency is VCLKA4_S/2</li> <li>• Is disabled separately via the VCLKACON1 register VCLKA4_DIV_CDDIS bit only if the VCLKA4_S clock is not disabled</li> </ul>
RTICK	VCLK	RCLKSRC	<ul style="list-style-type: none"> <li>• Defaults to VCLK as the source</li> <li>• If a clock source other than VCLK is selected for RTICK, then the RTICK frequency must be less than or equal to VCLK/3                             <ul style="list-style-type: none"> <li>– Application can ensure this by programming the RT1DIV field of the RCLKSRC register, if necessary</li> </ul> </li> <li>• Is disabled via the CDDISx registers bit 6</li> </ul>

PRODUCT PREVIEW



### 4.6.2.2 Mapping of Clock Domains to Device Modules

Each clock domain has a dedicated functionality as shown in the figures below.

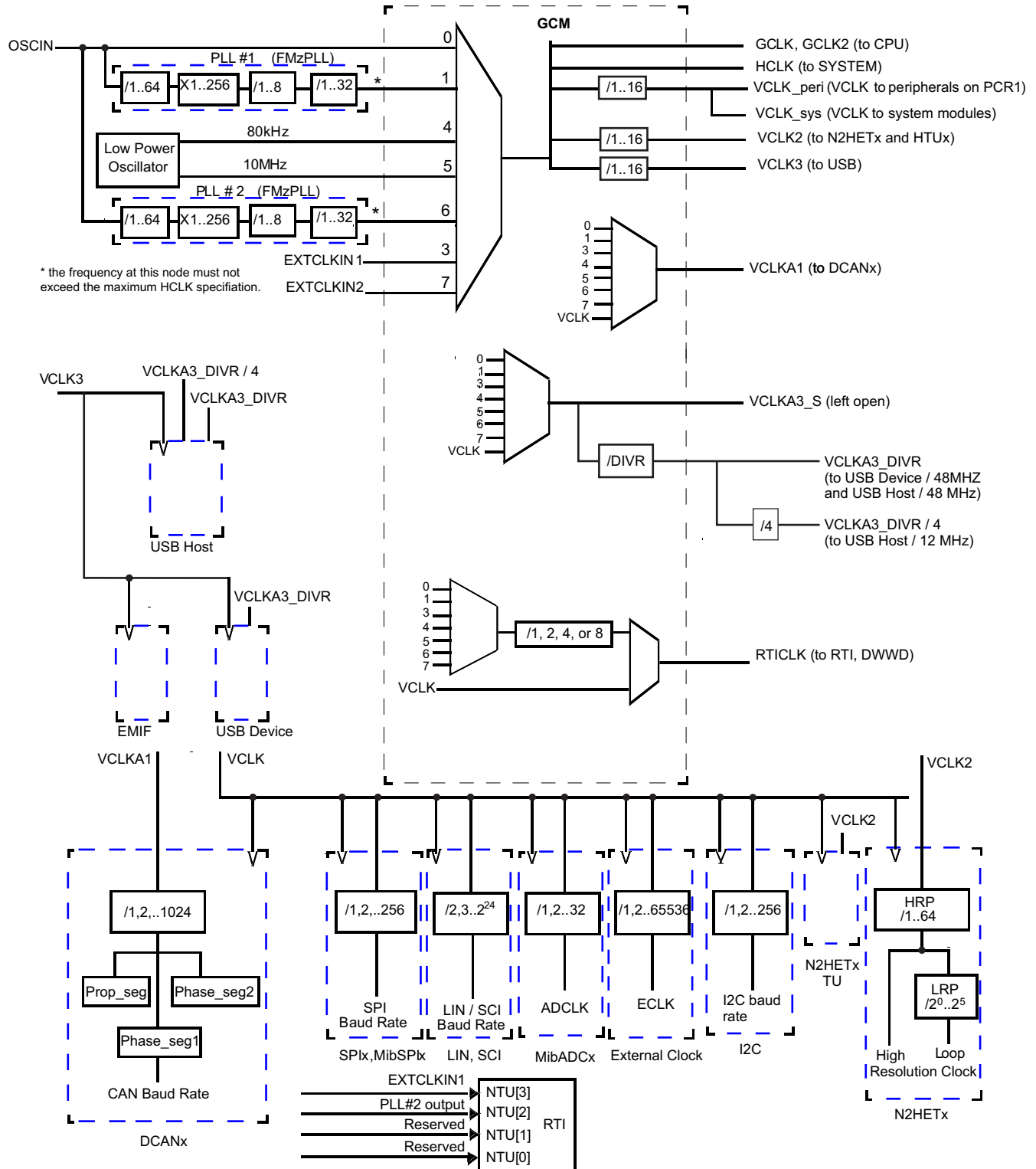


Figure 4-7. Device Clock Domains

PRODUCT PREVIEW

### 4.6.3 Clock Test Mode

The TMS570 platform architecture defines a special mode that allows various clock signals to be brought out on to the ECLK pin and N2HET1[12] device outputs. This mode is called the Clock Test mode. It is very useful for debugging purposes and can be configured via the CLKTEST register in the system module.

**Table 4-14. Clock Test Mode Options**

SEL_ECP_PIN = CLKTEST[3-0]	SIGNAL ON ECLK	SEL_GIO_PIN = CLKTEST[11-8]	SIGNAL ON N2HET1[12]
0000	Oscillator	0000	Oscillator Valid Status
0001	Main PLL free-running clock output	0001	Main PLL Valid status
0010	Reserved	0010	Reserved
0011	EXTCLKIN1	0011	Reserved
0100	LFLPO	0100	Reserved
0101	HFLPO	0101	HFLPO Valid status
0110	Secondary PLL free-running clock output	0110	Secondary PLL Valid Status
0111	EXTCLKIN2	0111	Reserved
1000	GCLK	1000	LFLPO
1001	RTI Base	1001	Oscillator Valid status
1010	Reserved	1010	Oscillator Valid status
1011	VCLKA1	1011	Oscillator Valid status
1100	Reserved	1100	Oscillator Valid status
1101	VCLKA3_DIVR	1101	VCLKA3_S
1110	VCLKA4_DIVR	1110	VCLKA4_S
1111	Reserved	1111	Oscillator Valid status

## 4.7 Clock Monitoring

The LPO Clock Detect (LPOCLKDET) module consists of a clock monitor (CLKDET) and an internal low power oscillator (LPO).

The LPO provides two different clock sources – a low frequency (LFLPO) and a high frequency (HFLPO).

The CLKDET is a supervisor circuit for an externally supplied clock signal (OSCIN). In case the OSCIN frequency falls out of a frequency window, the CLKDET flags this condition in the global status register (GLBSTAT bit 0: OSC FAIL) and switches all clock domains sourced by OSCIN to the HFLPO clock (limp mode clock).

The valid OSCIN frequency range is defined as:  $f_{\text{HFLPO}} / 4 < f_{\text{OSCIN}} < f_{\text{HFLPO}} * 4$ .

### 4.7.1 Clock Monitor Timings

For more information on LPO and Clock detection, refer to [Table 4-10](#).

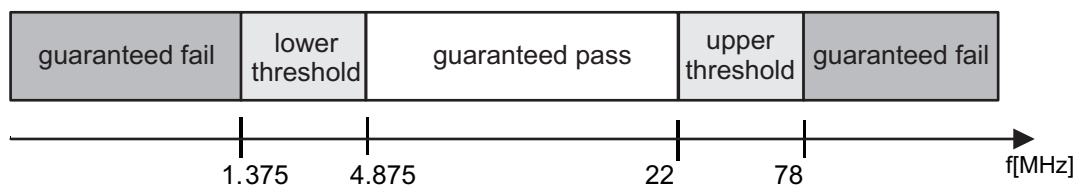


Figure 4-8. LPO and Clock Detection, Untrimmed HFLPO

### 4.7.2 External Clock (ECLK) Output Functionality

The ECLK pin can be configured to output a pre-scaled clock signal indicative of an internal device clock. This output can be externally monitored as a safety diagnostic.

### 4.7.3 Dual Clock Comparators

The Dual Clock Comparator (DCC) module determines the accuracy of selectable clock sources by counting the pulses of two independent clock sources (counter 0 and counter 1). If one clock is out of spec, an error signal is generated. For example, the DCC1 can be configured to use HFLPO as the reference clock (for counter 0) and VCLK as the "clock under test" (for counter 1). This configuration allows the DCC1 to monitor the PLL output clock when VCLK is using the PLL output as its source.

An additional use of this module is to measure the frequency of a selectable clock source, using the input clock as a reference, by counting the pulses of two independent clock sources. Counter 0 generates a fixed-width counting window after a preprogrammed number of pulses. Counter 1 generates a fixed-width pulse (1 cycle) after a pre-programmed number of pulses. This pulse sets as an error signal if counter 1 does not reach 0 within the counting window generated by counter 0.

#### 4.7.3.1 Features

- Takes two different clock sources as input to two independent counter blocks.
- One of the clock sources is the known-good, or reference clock; the second clock source is the "clock under test."
- Each counter block is programmable with initial, or seed values.
- The counter blocks start counting down from their seed values at the same time; a mismatch from the expected frequency for the clock under test generates an error signal which is used to interrupt the CPU.

### 4.7.3.2 Mapping of DCC Clock Source Inputs

**Table 4-15. DCC1 Counter 0 Clock Sources**

CLOCK SOURCE [3:0]	CLOCK NAME
others	oscillator (OSCIN)
0x5	high frequency LPO
0xA	test clock (TCK)

**Table 4-16. DCC1 Counter 1 Clock Sources**

KEY [3:0]	CLOCK SOURCE [3:0]	CLOCK NAME
others	-	N2HET1[31]
0xA	0x0	Main PLL free-running clock output
	0x1	PLL #2 free-running clock output
	0x2	low frequency LPO
	0x3	high frequency LPO
	0x4	reserved
	0x5	EXTCLKIN1
	0x6	EXTCLKIN2
	0x7	reserved
	0x8 - 0xF	VCLK

**Table 4-17. DCC2 Counter 0 Clock Sources**

CLOCK SOURCE [3:0]	CLOCK NAME
others	oscillator (OSCIN)
0xA	test clock (TCK)

**Table 4-18. DCC2 Counter 1 Clock Sources**

KEY [3:0]	CLOCK SOURCE [3:0]	CLOCK NAME
others	-	N2HET2[0]
0xA	00x0 - 0x7	Reserved
	0x8 - 0xF	VCLK

PRODUCT PREVIEW

## 4.8 Glitch Filters

A glitch filter is present on the following signals.

**Table 4-19. Glitch Filter Timing Specifications**

Pin	Parameter		MIN	MAX	Unit
nPORRST	$t_{f(nPORRST)}$	Filter time nPORRST pin; pulses less than MIN will be filtered out, pulses greater than MAX will generate a reset <sup>(1)</sup>	500	2000	ns
nRST	$t_{f(nRST)}$	Filter time nRST pin; pulses less than MIN will be filtered out, pulses greater than MAX will generate a reset	500	2000	ns
TEST	$t_{f(TEST)}$	Filter time TEST pin; pulses less than MIN will be filtered out, pulses greater than MAX will pass through	500	2000	ns

- (1) The glitch filter design on the nPORRST signal is designed such that no size pulse will reset any part of the microcontroller (flash pump, I/O pins, etc.) without also generating a valid reset signal to the CPU.

## 4.9 Device Memory Map

### 4.9.1 Memory Map Diagram

The figure below shows the device memory map.

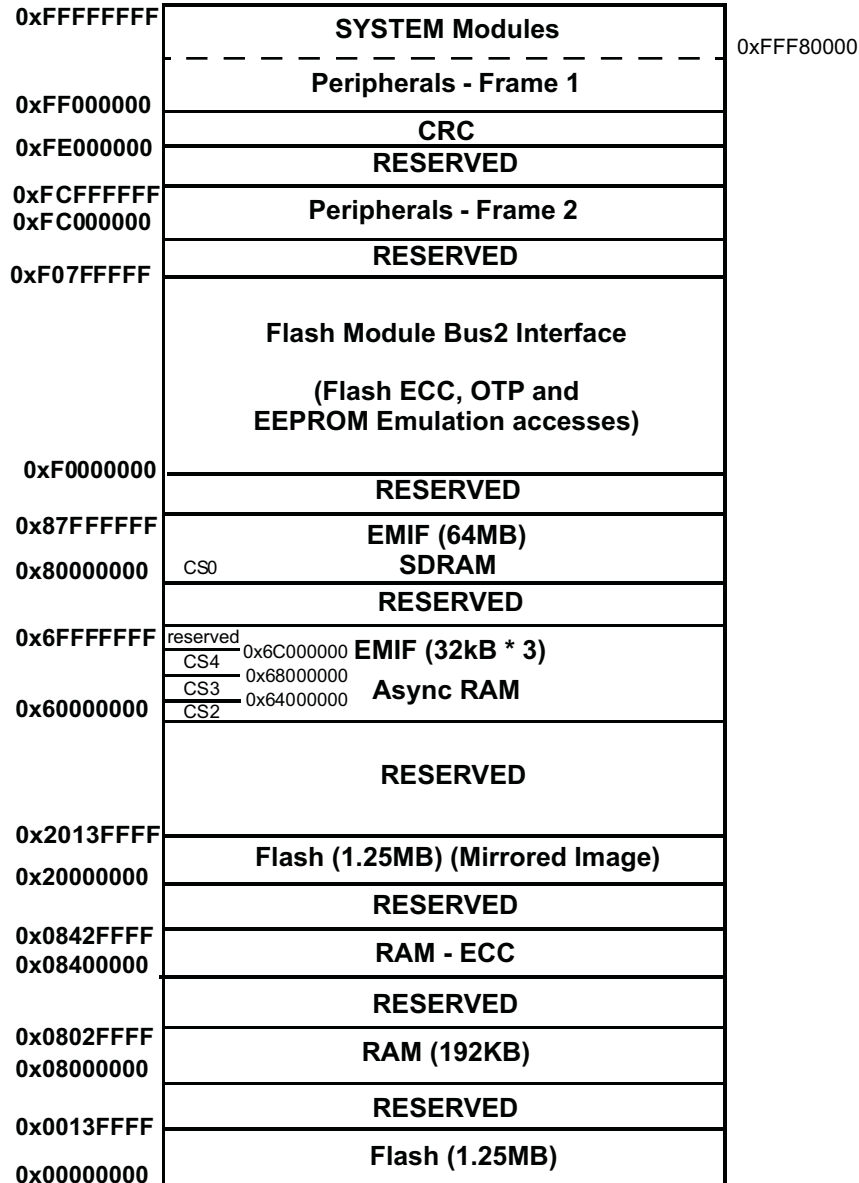


Figure 4-9. Memory Map

The Flash memory is mirrored to support ECC logic testing. The base address of the mirrored Flash image is 0x2000 0000.

## 4.9.2 Memory Map Table

Please refer to and for a block diagrams showing the devices interconnect.

**Table 4-20. Device Memory Map**

MODULE NAME	FRAME CHIP SELECT	FRAME ADDRESS RANGE		FRAME SIZE	ACTUAL SIZE	RESPNSE FOR ACCESS TO UNIMPLEMENTED LOCATIONS IN FRAME	
		START	END				
<b>Memories tightly coupled to the ARM Cortex-R4F CPU</b>							
TCM Flash	CS0	0x0000_0000	0x00FF_FFFF	16MB	1.25MB	Abort	
TCM RAM + RAM ECC	CSRAM0	0x0800_0000	0x0BFF_FFFF	64MB	192kB		
Mirrored Flash	Flash mirror frame	0x2000_0000	0x20FF_FFFF	16MB	1.25MB		
<b>External Memory Accesses</b>							
EMIF Chip Select 2 (asynchronous)	EMIF select 2	0x6000_0000	0x63FF_FFFF	64MB	32kB	Access to "Reserved" space will generate Abort	
EMIF Chip Select 3 (asynchronous)	EMIF select 3	0x6400_0000	0x67FF_FFFF	64MB	32kB		
EMIF Chip Select 4 (asynchronous)	EMIF select 4	0x6800_0000	0x6BFF_FFFF	64MB	32kB		
EMIF Chip Select 0 (synchronous)	EMIF select 0	0x8000_0000	0x87FF_FFFF	128MB	64MB		
<b>Flash Module Bus2 Interface</b>							
Customer OTP, TCM Flash Banks		0xF000_0000	0xF000_1FFF	8kB	4kB	Abort	
Customer OTP, Bank 7		0xF000_E000	0xF000_FFFF	8kB	4kB		
Customer OTP–ECC, TCM Flash Banks		0xF004_0000	0xF004_03FF	1kB	512B		
Customer OTP–ECC, Bank 7		0xF004_1C00	0xF004_1FFF	1kB	512B		
TI OTP, TCM Flash Banks		0xF008_0000	0xF008_1FFF	8kB	4kB		
TI OTP, Bank 7		0xF008_E000	0xF008_FFFF	8kB	4kB		
TI OTP–ECC, TCM Flash Banks		0xF00C_0000	0xF00C_03FF	1kB	512B		
TI OTP–ECC, Bank 7		0xF00C_1C00	0xF00C_1FFF	1kB	512B		
Bank 7 – ECC		0xF010_0000	0xF013_FFFF	256kB	8kB		
Bank 7		0xF020_0000	0xF03F_FFFF	2MB	64kB		
Flash Data Space ECC		0xF040_0000	0xF04F_FFFF	1MB	160kB		
<b>EMIF slave interfaces</b>							
W2FC (USB device controller registers)		0xFCF7_8A00	0xFCF7_8A7F	128B	128B		Abort
OHCI (USB Host controller registers)		0xFCF7_8B00	0xFCF7_8BFF	256B	256B	Abort	
EMIF Registers		0xFCFF_E800	0xFCFF_E8FF	256B	256B	Abort	
<b>SCR5: Enhanced Timer Peripherals</b>							
ePWM1		0xFCF7_8C00	0xFCF7_8CFF	256B	256B	Abort	
ePWM2		0xFCF7_8D00	0xFCF7_8DFF	256B	256B	Abort	

**Table 4-20. Device Memory Map (continued)**

MODULE NAME	FRAME CHIP SELECT	FRAME ADDRESS RANGE		FRAME SIZE	ACTUAL SIZE	RESPNSE FOR ACCESS TO UNIMPLEMENTED LOCATIONS IN FRAME
		START	END			
ePWM3		0xFCF7_8E00	0xFCF7_8EFF	256B	256B	Abort
ePWM4		0xFCF7_8F00	0xFCF7_8FFF	256B	256B	Abort
ePWM5		0xFCF7_9000	0xFCF7_90FF	256B	256B	Abort
ePWM6		0xFCF7_9100	0xFCF7_91FF	256B	256B	Abort
ePWM7		0xFCF7_9200	0xFCF7_92FF	256B	256B	Abort
eCAP1		0xFCF7_9300	0xFCF7_94FF	256B	256B	Abort
eCAP2		0xFCF7_9400	0xFCF7_95FF	256B	256B	Abort
eCAP3		0xFCF7_9500	0xFCF7_96FF	256B	256B	Abort
eCAP4		0xFCF7_9600	0xFCF7_97FF	256B	256B	Abort
eCAP5		0xFCF7_9700	0xFCF7_98FF	256B	256B	Abort
eCAP6		0xFCF7_9800	0xFCF7_99FF	256B	256B	Abort
eQEP1		0xFCF7_9900	0xFCF7_9AFF	256B	256B	Abort
eQEP2		0xFCF7_9A00	0xFCF7_9BFF	256B	256B	Abort
<b>Cyclic Redundancy Checker (CRC) Module Registers</b>						
CRC	CRC frame	0xFE00_0000	0xFEFF_FFFF	16MB	512B	Accesses above 0x200 generate abort.
<b>Peripheral Memories</b>						
MIBSPI5 RAM	PCS[5]	0xFF0A_0000	0xFF0B_FFFF	128kB	2kB	Abort for accesses above 2kB
MIBSPI3 RAM	PCS[6]	0xFF0C_0000	0xFF0D_FFFF	128kB	2kB	Abort for accesses above 2kB
MIBSPI1 RAM	PCS[7]	0xFF0E_0000	0xFF0F_FFFF	128kB	2kB	Abort for accesses above 2kB
DCAN3 RAM	PCS[13]	0xFF1A_0000	0xFF1B_FFFF	128kB	2kB	Wrap around for accesses to unimplemented address offsets lower than 0x7FF. Abort generated for accesses beyond offset 0x800.
DCAN2 RAM	PCS[14]	0xFF1C_0000	0xFF1D_FFFF	128kB	2kB	Wrap around for accesses to unimplemented address offsets lower than 0x7FF. Abort generated for accesses beyond offset 0x800.
DCAN1 RAM	PCS[15]	0xFF1E_0000	0xFF1F_FFFF	128kB	2kB	Wrap around for accesses to unimplemented address offsets lower than 0x7FF. Abort generated for accesses beyond offset 0x800.
MIBADC2 RAM	PCS[29]	0xFF3A_0000	0xFF3B_FFFF	128kB	8kB	Wrap around for accesses to unimplemented address offsets lower than 0x1FFF. Abort generated for accesses beyond 0x1FFF.
MIBADC2 Look-Up Table					384B	Look-Up Table for ADC2 wrapper. Starts at address offset 0x2000 and ends at address offset 0x217F. Wrap around for accesses between offsets 0x0180 and 0x3FFF. Abort generated for accesses beyond offset 0x4000.
MIBADC1 RAM	PCS[31]	0xFF3E_0000	0xFF3F_FFFF	128kB	8kB	Wrap around for accesses to unimplemented address offsets lower than 0x1FFF. Abort generated for accesses beyond 0x1FFF.
MibADC1 Look-Up Table					384B	Look-Up Table for ADC1 wrapper. Starts at address offset 0x2000 and ends at address offset 0x217F. Wrap around for accesses between offsets 0x0180 and 0x3FFF. Abort generated for accesses beyond offset 0x4000.
N2HET2 RAM	PCS[34]	0xFF44_0000	0xFF45_FFFF	128kB	16kB	Wrap around for accesses to unimplemented address offsets lower than 0x3FFF. Abort generated for accesses beyond 0x3FFF.

PRODUCT PREVIEW



**Table 4-20. Device Memory Map (continued)**

MODULE NAME	FRAME CHIP SELECT	FRAME ADDRESS RANGE		FRAME SIZE	ACTUAL SIZE	RESPONSE FOR ACCESS TO UNIMPLEMENTED LOCATIONS IN FRAME
		START	END			
N2HET1 RAM	PCS[35]	0xFF46_0000	0xFF47_FFFF	128kB	16kB	Wrap around for accesses to unimplemented address offsets lower than 0x3FFF. Abort generated for accesses beyond 0x3FFF.
N2HET2 TU2 RAM	PCS[38]	0xFF4C_0000	0xFF4D_FFFF	128kB	1kB	Abort
N2HET1 TU1 RAM	PCS[39]	0xFF4E_0000	0xFF4F_FFFF	128kB	1kB	Abort
<b>Debug Components</b>						
CoreSight Debug ROM	CSCS0	0xFFA0_0000	0xFFA0_0FFF	4kB	4kB	Reads return zeros, writes have no effect
Cortex-R4F Debug	CSCS1	0xFFA0_1000	0xFFA0_1FFF	4kB	4kB	Reads return zeros, writes have no effect
POM	CSCS4	0xFFA0_4000	0xFFA0_4FFF	4kB	4kB	Abort
<b>Peripheral Control Registers</b>						
HTU1	PS[22]	0xFFF7_A400	0xFFF7_A4FF	256B	256B	Reads return zeros, writes have no effect
HTU2	PS[22]	0xFFF7_A500	0xFFF7_A5FF	256B	256B	Reads return zeros, writes have no effect
N2HET1	PS[17]	0xFFF7_B800	0xFFF7_B8FF	256B	256B	Reads return zeros, writes have no effect
N2HET2	PS[17]	0xFFF7_B900	0xFFF7_B9FF	256B	256B	Reads return zeros, writes have no effect
GIO	PS[16]	0xFFF7_BC00	0xFFF7_BDFF	512B	256B	Reads return zeros, writes have no effect
MIBADC1	PS[15]	0xFFF7_C000	0xFFF7_C1FF	512B	512B	Reads return zeros, writes have no effect
MIBADC2	PS[15]	0xFFF7_C200	0xFFF7_C3FF	512B	512B	Reads return zeros, writes have no effect
I2C	PS[10]	0xFFF7_D400	0xFFF7_D4FF	256B	256B	Reads return zeros, writes have no effect
DCAN1	PS[8]	0xFFF7_DC00	0xFFF7_DDFD	512B	512B	Reads return zeros, writes have no effect
DCAN2	PS[8]	0xFFF7_DE00	0xFFF7_DFFF	512B	512B	Reads return zeros, writes have no effect
DCAN3	PS[7]	0xFFF7_E000	0xFFF7_E1FF	512B	512B	Reads return zeros, writes have no effect
LIN	PS[6]	0xFFF7_E400	0xFFF7_E4FF	256B	256B	Reads return zeros, writes have no effect
SCI	PS[6]	0xFFF7_E500	0xFFF7_E5FF	256B	256B	Reads return zeros, writes have no effect
MibSPI1	PS[2]	0xFFF7_F400	0xFFF7_F5FF	512B	512B	Reads return zeros, writes have no effect
SPI2	PS[2]	0xFFF7_F600	0xFFF7_F7FF	512B	512B	Reads return zeros, writes have no effect
MibSPI3	PS[1]	0xFFF7_F800	0xFFF7_F9FF	512B	512B	Reads return zeros, writes have no effect
SPI4	PS[1]	0xFFF7_FA00	0xFFF7_FBFF	512B	512B	Reads return zeros, writes have no effect
MibSPI5	PS[0]	0xFFF7_FC00	0xFFF7_FDFF	512B	512B	Reads return zeros, writes have no effect
<b>System Modules Control Registers and Memories</b>						
DMA RAM	PPCS0	0xFFF8_0000	0xFFF8_0FFF	4kB	4kB	Abort

**Table 4-20. Device Memory Map (continued)**

MODULE NAME	FRAME CHIP SELECT	FRAME ADDRESS RANGE		FRAME SIZE	ACTUAL SIZE	RESPNSE FOR ACCESS TO UNIMPLEMENTED LOCATIONS IN FRAME
		START	END			
VIM RAM	PPCS2	0xFFFF8_2000	0xFFFF8_2FFF	4kB	1kB	Wrap around for accesses to unimplemented address offsets between 1kB and 4kB.
Flash Module	PPCS7	0xFFFF8_7000	0xFFFF8_7FFF	4kB	4kB	Abort
eFuse Controller	PPCS12	0xFFFF8_C000	0xFFFF8_CFFF	4kB	4kB	Abort
Power Management Module (PMM)	PPSE0	0xFFFF_0000	0xFFFF_01FF	512B	512B	Abort
PCR registers	PPS0	0xFFFF_E000	0xFFFF_E0FF	256B	256B	Reads return zeros, writes have no effect
System Module - Frame 2 (see device TRM)	PPS0	0xFFFF_E100	0xFFFF_E1FF	256B	256B	Reads return zeros, writes have no effect
PBIST	PPS1	0xFFFF_E400	0xFFFF_E5FF	512B	512B	Reads return zeros, writes have no effect
STC	PPS1	0xFFFF_E600	0xFFFF_E6FF	256B	256B	Generates address error interrupt, if enabled
IOMM Multiplexing Control Module	PPS2	0xFFFF_EA00	0xFFFF_EBFF	512B	512B	Reads return zeros, writes have no effect
DCC1	PPS3	0xFFFF_EC00	0xFFFF_ECFF	256B	256B	Reads return zeros, writes have no effect
DMA	PPS4	0xFFFF_F000	0xFFFF_F3FF	1kB	1kB	Reads return zeros, writes have no effect
DCC2	PPS5	0xFFFF_F400	0xFFFF_F4FF	256B	256B	Reads return zeros, writes have no effect
ESM	PPS5	0xFFFF_F500	0xFFFF_F5FF	256B	256B	Reads return zeros, writes have no effect
CCMR4	PPS5	0xFFFF_F600	0xFFFF_F6FF	256B	256B	Reads return zeros, writes have no effect
RAM ECC even	PPS6	0xFFFF_F800	0xFFFF_F8FF	256B	256B	Reads return zeros, writes have no effect
RAM ECC odd	PPS6	0xFFFF_F900	0xFFFF_F9FF	256B	256B	Reads return zeros, writes have no effect
RTI + DWWD	PPS7	0xFFFF_FC00	0xFFFF_FCFF	256B	256B	Reads return zeros, writes have no effect
VIM Parity	PPS7	0xFFFF_FD00	0xFFFF_FDFF	256B	256B	Reads return zeros, writes have no effect
VIM	PPS7	0xFFFF_FE00	0xFFFF_FEFF	256B	256B	Reads return zeros, writes have no effect
System Module - Frame 1 (see device TRM)	PPS7	0xFFFF_FF00	0xFFFF_FFFF	256B	256B	Reads return zeros, writes have no effect

**4.9.3 Special Consideration for CPU Access Errors Resulting in Imprecise Aborts**

Any CPU write access to a Normal or Device type memory, which generates a fault, will generate an imprecise abort. The imprecise abort exception is disabled by default and must be enabled for the CPU to handle this exception. The imprecise abort handling is enabled by clearing the "A" bit in the CPU's program status register (CPSR).

**4.9.4 Master/Slave Access Privileges**

The table below lists the access permissions for each bus master on the device. A bus master is a module that can initiate a read or a write transaction on the device.

Each slave module on the main interconnect is listed in the table. A "Yes" indicates that the module listed in the "MASTERS" column can access that slave module.

**Table 4-21. Master / Slave Access Matrix**

MASTERS	ACCESS MODE	SLAVES ON MAIN SCR				
		Flash Module Bus2 Interface: OTP, ECC, Bank 7	Non-CPU Accesses to Program Flash and CPU Data RAM	CRC	EMIF, Slave Interfaces	Peripheral Control Registers, All Peripheral Memories, And All System Module Control Registers And Memories
CPU READ	User/Privilege	Yes	Yes	Yes	Yes	Yes
CPU WRITE	User/Privilege	No	Yes	Yes	Yes	Yes
DMA	User	Yes	Yes	Yes	Yes	Yes
POM	User	Yes	Yes	Yes	Yes	Yes
DAP	Privilege	Yes	Yes	Yes	Yes	Yes
HTU1	Privilege	No	Yes	Yes	Yes	Yes
HTU2	Privilege	No	Yes	Yes	Yes	Yes
OHCI	User	No	Yes	No	Yes	No

#### 4.9.5 Special Notes on Accesses to Certain Slaves

Write accesses to the Power Domain Management Module (PMM) control registers are limited to the CPU (master id = 1). The other masters can only read from these registers.

A debugger can also write to the PMM registers. The master-id check is disabled in debug mode.

The device contains dedicated logic to generate a bus error response on any access to a module that is in a power domain that has been turned OFF.

#### 4.9.6 Parameter Overlay Module (POM) Considerations

- The POM can map onto up to 8MB of the internal or external memory space. The starting address and the size of the memory overlay are configurable via the POM control registers. Care must be taken to ensure that the overlay is mapped on to available memory.
- ECC must be disabled by software via CP15 in case POM overlay is enabled; otherwise ECC errors will be generated.
- POM overlay must not be enabled when the flash and internal RAM memories are swapped via the MEM SWAP field of the Bus Matrix Module Control Register 1 (BMMCR1).

- When POM is used to overlay the flash on to internal or external RAM, there is a bus contention possibility when another master accesses the TCM flash. This results in a system hang.
  - The POM implements a timeout feature to detect this exact scenario. The timeout needs to be enabled whenever POM overlay is enabled.
  - The timeout can be enabled by writing 1010 to the Enable TimeOut (ETO) field of the POM Global Control register (POMGLBCTRL, address = 0xFFA04000).
  - In case a read request by the POM cannot be completed within 32 HCLK cycles, the timeout (TO) flag is set in the POM Flag register (POMFLG, address = 0xFFA0400C). Also, an abort is generated to the CPU. This can be a prefetch abort for an instruction fetch or a data abort for a data fetch.
  - The prefetch- and data-abort handlers must be modified to check if the TO flag in the POM is set. If so, then the application can assume that the timeout is caused by a bus contention between the POM transaction and another master accessing the same memory region. The abort handlers need to clear the TO flag, so that any further aborts are not misinterpreted as having been caused due to a timeout from the POM.

## 4.10 Flash Memory

### 4.10.1 Flash Memory Configuration

**Flash Bank:** A separate block of logic consisting of 1 to 16 sectors. Each flash bank normally has a customer-OTP and a TI-OTP area. These flash sectors share input/output buffers, data paths, sense amplifiers, and control logic.

**Flash Sector:** A contiguous region of flash memory which must be erased simultaneously due to physical construction constraints.

**Flash Pump:** A charge pump which generates all the voltages required for reading, programming, or erasing the flash banks.

**Flash Module:** Interface circuitry required between the host CPU and the flash banks and pump module.

**Table 4-22. Flash Memory Banks and Sectors**

Memory Arrays (or Banks)	Sector No.	Segment	Low Address	High Address
BANK0 (1.25MBytes)	0	16K Bytes	0x0000_0000	0x0000_3FFF
	1	16K Bytes	0x0000_4000	0x0000_7FFF
	2	16K Bytes	0x0000_8000	0x0000_BFFF
	3	16K Bytes	0x0000_C000	0x0000_FFFF
	4	16K Bytes	0x0001_0000	0x0001_3FFF
	5	16K Bytes	0x0001_4000	0x0001_7FFF
	6	32K Bytes	0x0001_8000	0x0001_FFFF
	7	128K Bytes	0x0002_0000	0x0003_FFFF
	8	128K Bytes	0x0004_0000	0x0005_FFFF
	9	128K Bytes	0x0006_0000	0x0007_FFFF
	10	128K Bytes	0x0008_0000	0x0009_FFFF
	11	128K Bytes	0x000A_0000	0x000B_FFFF
	12	128K Bytes	0x000C_0000	0x000D_FFFF
	13	128K Bytes	0x000E_0000	0x000F_FFFF
	14	128K Bytes	0x0010_0000	0x0011_FFFF
15	128K Bytes	0x0012_0000	0x0013_FFFF	
BANK7 (64kBytes) for EEPROM emulation	0	16K Bytes	0xF020_0000	0xF020_3FFF
	1	16K Bytes	0xF020_4000	0xF020_7FFF
	2	16K Bytes	0xF020_8000	0xF020_BFFF
	3	16K Bytes	0xF020_C000	0xF020_FFFF

### 4.10.2 Main Features of Flash Module

- Support for multiple flash banks for program and/or data storage
- Simultaneous read access on a bank while performing program or erase operation on any other bank
- Integrated state machines to automate flash erase and program operations
- Pipelined mode operation to improve instruction access interface bandwidth
- Support for Single Error Correction Double Error Detection (SECDED) block inside Cortex-R4F CPU
  - Error address is captured for host system debugging
- Support for a rich set of diagnostic features

### 4.10.3 ECC Protection for Flash Accesses

All accesses to the program flash memory are protected by Single Error Correction Double Error Detection (SECCDED) logic embedded inside the CPU. The flash module provides 8 bits of ECC code for 64 bits of instructions or data fetched from the flash memory. The CPU calculates the expected ECC code based on the 64 bits received and compares it with the ECC code returned by the flash module. A single-bit error is corrected and flagged by the CPU, while a multi-bit error is only flagged. The CPU signals an ECC error via its Event bus. This signaling mechanism is not enabled by default and must be enabled by setting the "X" bit of the Performance Monitor Control Register, c9.

```
MRC p15,#0,r1,c9,c12,#0 ;Enabling Event monitor states
ORR r1, r1, #0x00000010
MCR p15,#0,r1,c9,c12,#0 ;Set 4th bit ('X') of PMNC register
MRC p15,#0,r1,c9,c12,#0
```

The application must also explicitly enable the CPU's ECC checking for accesses on the CPU's ATCM and BTCM interfaces. These are connected to the program flash and data RAM respectively. ECC checking for these interfaces can be done by setting the B1TCMPCEN, B0TCMPCEN and ATCMPCEN bits of the System Control coprocessor's Auxiliary Control Register, c1.

```
MRC p15, #0, r1, c1, c0, #1
ORR r1, r1, #0x0e000000 ;Enable ECC checking for ATCM and BTCMs
DMB
MCR p15, #0, r1, c1, c0, #1
```

### 4.10.4 Flash Access Speeds

For information on flash memory access speeds and the relevant wait states required, refer to [Section 3.4](#).

### 4.10.5 Program Flash

**Table 4-23. Timing Requirements for Program Flash**

Parameter		MIN	NOM	MAX	Unit	
$t_{\text{prog}(144\text{bit})}$	Wide Word (144bit) programming time		40	300	$\mu\text{s}$	
$t_{\text{prog}(\text{Total})}$	1.25MByte programming time <sup>(1)</sup>	-40°C to 105°C		13	s	
		0°C to 60°C, for first 25 cycles		3.3	6.6	s
$t_{\text{erase}(\text{bank}0)}$	Sector/Bank erase time	-40°C to 105°C		0.3	4	s
		0°C to 60°C, for first 25 cycles		30	500	ms
$t_{\text{wec}}$	Write/erase cycles with 15 year Data Retention requirement	-40°C to 105°C		1000	cycles	

(1) This programming time includes overhead of state machine, but does not include data transfer time. The programming time assumes programming 144 bits at a time at the maximum specified operating frequency.

### 4.10.6 Data Flash

**Table 4-24. Timing Requirements for Data Flash**

Parameter		MIN	NOM	MAX	Unit	
$t_{\text{prog}(144\text{bit})}$	Wide Word (144bit) programming time		40	300	$\mu\text{s}$	
$t_{\text{prog}(\text{Total})}$	EEPROM Emulation (bank 7) 64kByte programming time <sup>(1)</sup>	-40°C to 105°C		660	ms	
		0°C to 60°C, for first 25 cycles		165	330	ms
EEPROM Emulation (bank 7) Sector/Bank erase time $t_{\text{erase}(\text{bank}7)}$		-40°C to 105°C		0.08	8	s
		0°C to 60°C, for first 25 cycles		30	500	ms
$t_{\text{wec}}$	Write/erase cycles with 15 year Data Retention requirement	-40°C to 105°C		100000	cycles	

(1) This programming time includes overhead of state machine, but does not include data transfer time. The programming time assumes programming 144 bits at a time at the maximum specified operating frequency.

## 4.11 Tightly-Coupled RAM Interface Module

Figure 4-10 illustrates the connection of the Tightly Coupled RAM (TCRAM) to the Cortex-R4F™ CPU.

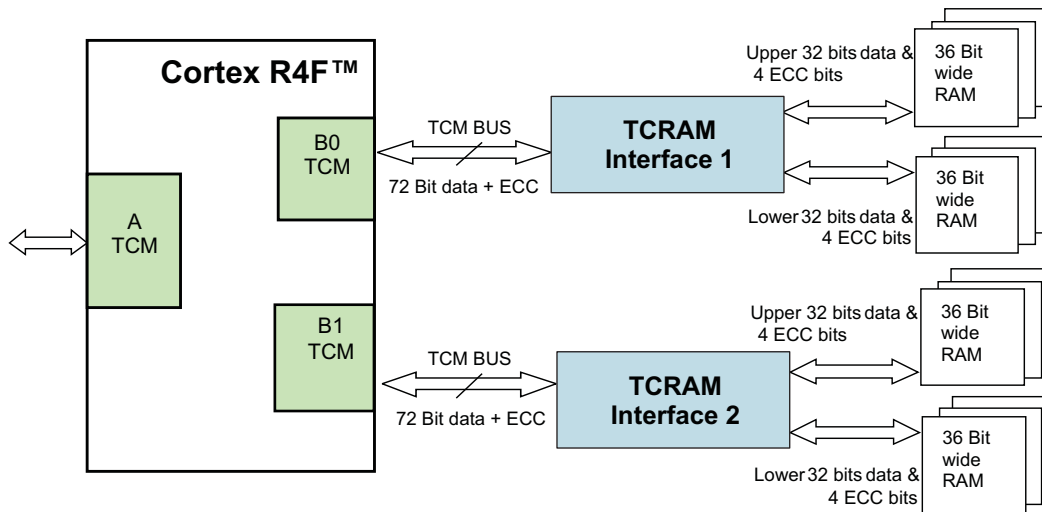


Figure 4-10. TCRAM Block Diagram

### 4.11.1 Features

The features of the Tightly Coupled RAM (TCRAM) Module are:

- Acts as slave to the Cortex-R4F CPU's BTCM interface
- Supports CPU's internal ECC scheme by providing 64-bit data and 8-bit ECC code
- Monitors CPU Event Bus and generates single or multi-bit error interrupts
- Stores addresses for single and multi-bit errors
- Supports RAM trace module
- Provides CPU address bus integrity checking by supporting parity checking on the address bus
- Performs redundant address decoding for the RAM bank chip select and ECC select generation logic
- Provides enhanced safety for the RAM addressing by implementing two 36-bit wide byte-interleaved RAM banks and generating independent RAM access control signals to the two banks
- Supports auto-initialization of the RAM banks along with the ECC bits
- No support for bit-wise RAM accesses

### 4.11.2 TCRAMW ECC Support

The TCRAMW passes on the ECC code for each data read by the Cortex-R4F CPU from the RAM. It also stores the CPU's ECC port contents in the ECC RAM when the CPU does a write to the RAM. The TCRAMW monitors the CPU's event bus and provides registers for indicating single/multi-bit errors and also for identifying the address that caused the single or multi-bit error. The event signaling and the ECC checking for the RAM accesses must be enabled inside the CPU.

For more information see the device Technical Reference Manual.

## 4.12 Parity Protection for Accesses to peripheral RAMs

Accesses to some peripheral RAMs are protected by odd/even parity checking. During a read access the parity is calculated based on the data read from the peripheral RAM and compared with the good parity value stored in the parity RAM for that peripheral. If any word fails the parity check, the module generates a parity error signal that is mapped to the Error Signaling Module. The module also captures the peripheral RAM address that caused the parity error.



The parity protection for peripheral RAMs is not enabled by default and must be enabled by the application. Each individual peripheral contains control registers to enable the parity protection for accesses to its RAM.

---

**NOTE**

The CPU read access gets the actual data from the peripheral. The application can choose to generate an interrupt whenever a peripheral RAM parity error is detected.

---

## 4.13 On-Chip SRAM Initialization and Testing

### 4.13.1 On-Chip SRAM Self-Test Using PBIST

#### 4.13.1.1 Features

- Extensive instruction set to support various memory test algorithms
- ROM-based algorithms allow application to run TI production-level memory tests
- Independent testing of all on-chip SRAM

#### 4.13.1.2 PBIST RAM Groups

Table 4-25. PBIST RAM Grouping

Memory	RAM Group	Test Clock	MEM Type	Test Pattern (Algorithm)			
				triple read slow read	triple read fast read	March 13N <sup>(1)</sup> two port (cycles)	March 13N <sup>(1)</sup> single port (cycles)
				ALGO MASK 0x1	ALGO MASK 0x2	ALGO MASK 0x4	ALGO MASK 0x8
PBIST_ROM	1	ROM CLK	ROM	X	X		
STC_ROM	2	ROM CLK	ROM	X	X		
DCAN1	3	VCLK	Dual Port			25200	
DCAN2	4	VCLK	Dual Port			25200	
DCAN3	5	VCLK	Dual Port			25200	
ESRAM1	6	HCLK	Single Port				266280
MIBSPI1	7	VCLK	Dual Port			33440	
MIBSPI3	8	VCLK	Dual Port			33440	
MIBSPI5	9	VCLK	Dual Port			33440	
VIM	10	VCLK	Dual Port			12560	
MIBADC1	11	VCLK	Dual Port			4200	
DMA	12	HCLK	Dual Port			18960	
N2HET1	13	VCLK	Dual Port			31680	
HET TU1	14	VCLK	Dual Port			6480	
MIBADC2	18	VCLK	Dual Port			4200	
N2HET2	19	VCLK	Dual Port			31680	
HET TU2	20	VCLK	Dual Port			6480	
ESRAM5	21	HCLK	Single Port				266280
ESRAM6	22	HCLK	Single Port				266280
USB	26	VCLK3	Dual Port			4240	
	27		Single Port				66600

(1) There are several memory testing algorithms stored in the PBIST ROM. However, TI recommends the March13N algorithm for application testing.

The PBIST ROM clock frequency is limited to 100MHz, if  $100\text{MHz} < \text{HCLK} \leq \text{HCLKmax}$ , or  $\text{HCLK}$ , if  $\text{HCLK} \leq 100\text{MHz}$ .

The PBIST ROM clock is divided down from HCLK. The divider is selected by programming the ROM\_DIV field of the Memory Self-Test Global Control Register (MSTGCR) at address 0xFFFFF58.

### 4.13.2 On-Chip SRAM Auto Initialization

This microcontroller allows some of the on-chip memories to be initialized via the Memory Hardware Initialization mechanism in the System module. This hardware mechanism allows an application to program the memory arrays with error detection capability to a known state based on their error detection scheme (odd/even parity or ECC).

The MINITGCR register enables the memory initialization sequence, and the MSINENA register selects the memories that are to be initialized.

For more information on these registers see the device Technical Reference Manual.

The mapping of the different on-chip memories to the specific bits of the MSINENA registers is shown in [Table 4-26](#).

**Table 4-26. Memory Initialization**

CONNECTING MODULE	ADDRESS RANGE		MSINENA REGISTER BIT #
	BASE ADDRESS	ENDING ADDRESS	
RAM (PD#1)	0x08000000	0x0800FFFF	0 <sup>(1)</sup>
RAM (RAM_PD#1)	0x08010000	0x0801FFFF	0 <sup>(1)</sup>
RAM (RAM_PD#2)	0x08020000	0x0802FFFF	0 <sup>(1)</sup>
MIBSPI5 RAM	0xFF0A0000	0xFF0BFFFF	12 <sup>(2)</sup>
MIBSPI3 RAM	0xFF0C0000	0xFF0DFFFF	11 <sup>(2)</sup>
MIBSPI1 RAM	0xFF0E0000	0xFF0FFFFF	7 <sup>(2)</sup>
DCAN3 RAM	0xFF1A0000	0xFF1BFFFF	10
DCAN2 RAM	0xFF1C0000	0xFF1DFFFF	6
DCAN1 RAM	0xFF1E0000	0xFF1FFFFF	5
MIBADC2 RAM	0xFF3A0000	0xFF3BFFFF	14
MIBADC1 RAM	0xFF3E0000	0xFF3FFFFF	8
N2HET2 RAM	0xFF440000	0xFF47FFFF	15
N2HET1 RAM	0xFF460000	0xFF47FFFF	3
HET TU2 RAM	0xFF4C0000	0xFF4DFFFF	16
HET TU1 RAM	0xFF4E0000	0xFF4FFFFF	4
DMA RAM	0xFFF80000	0xFFF80FFF	1
VIM RAM	0xFFF82000	0xFFF82FFF	2
USB Device RAM	RAM is not CPU-Addressable		n/a

(1) The TCM RAM wrapper has separate control bits to select the RAM power domain that is to be auto-initialized.

(2) The MibSPIx modules perform an initialization of the transmit and receive RAMs as soon as the module is released from its local reset.. This is independent of whether the application chooses to initialize the MibSPIx RAMs using the system module auto-initialization method. The MibSPIx module must be first brought out of its local reset in order to use the system module auto-initialization method.

## 4.14 External Memory Interface (EMIF)

### 4.14.1 Features

The EMIF includes many features to enhance the ease and flexibility of connecting to external asynchronous memories or SDRAM devices. The EMIF features includes support for:

- 3 addressable chip select for asynchronous memories of up to 32kB each
- 1 addressable chip select space for SDRAMs up to 128MB
- 8 or 16-bit data bus width
- Programmable cycle timings such as setup, strobe, and hold times as well as turnaround time
- Select strobe mode
- Extended Wait mode
- Data bus parking

### 4.14.2 Electrical and Timing Specifications

#### 4.14.2.1 Read Timing (Asynchronous RAM)

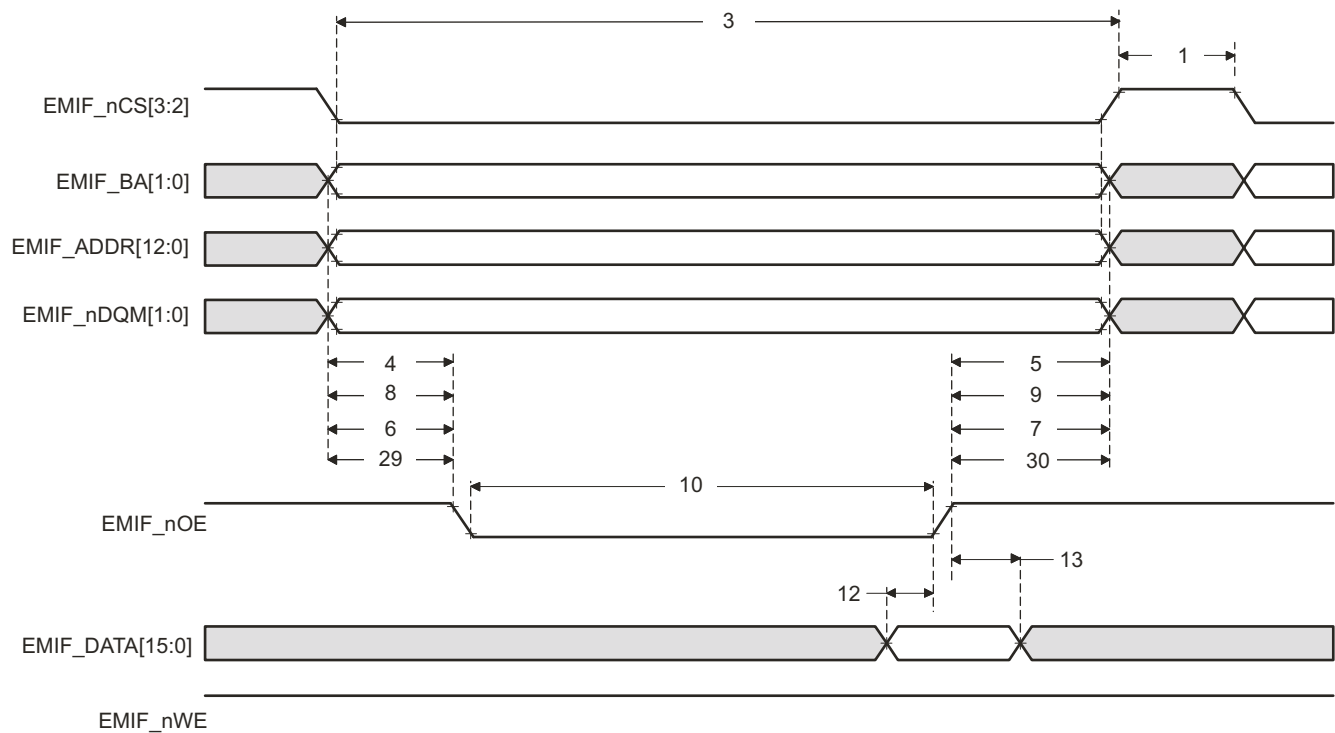


Figure 4-11. Asynchronous Memory Read Timing

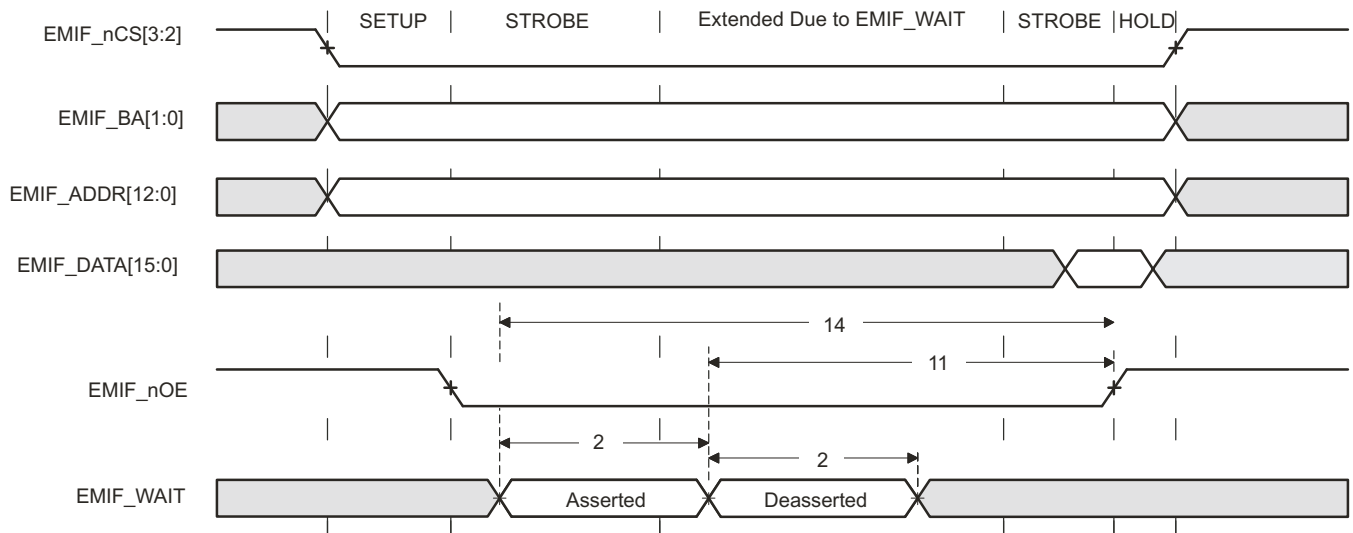


Figure 4-12. EMIFnWAIT Read Timing Requirements

4.14.2.2 Write Timing (Asynchronous RAM)

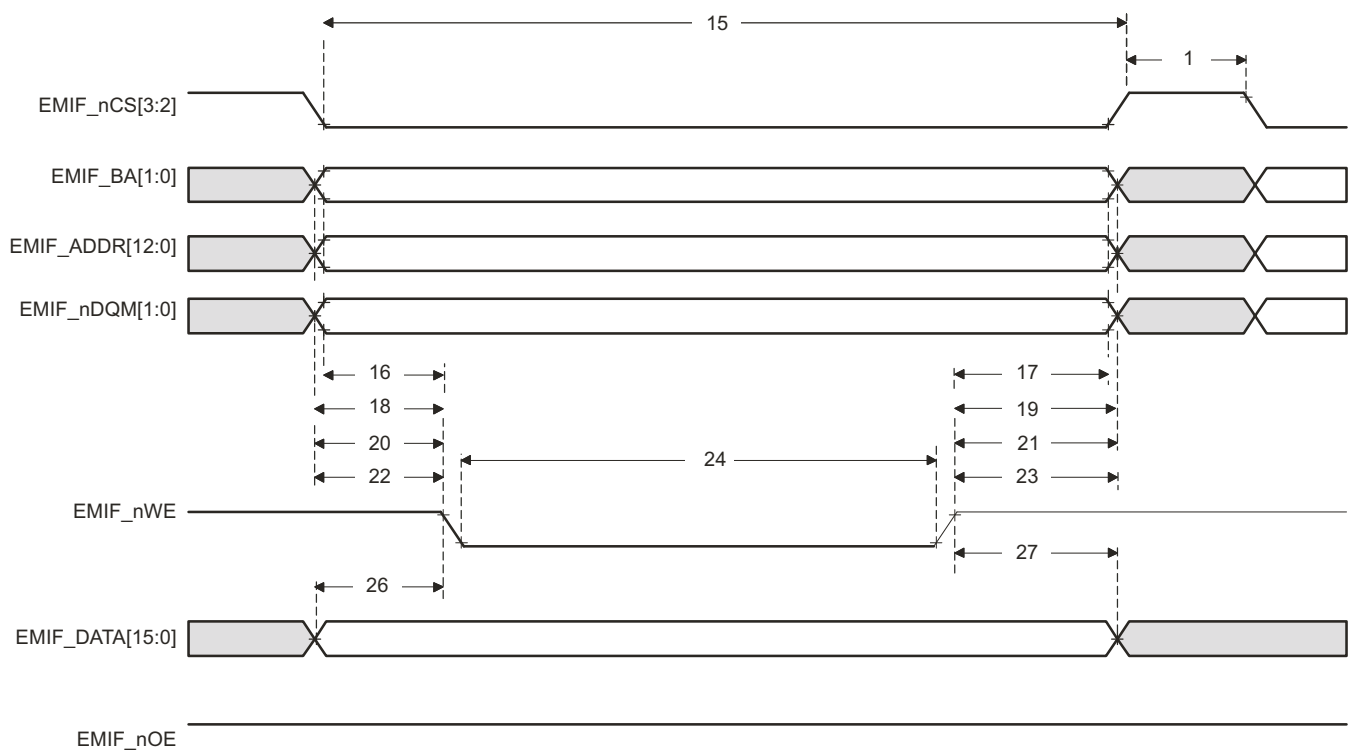


Figure 4-13. Asynchronous Memory Write Timing

PRODUCT PREVIEW

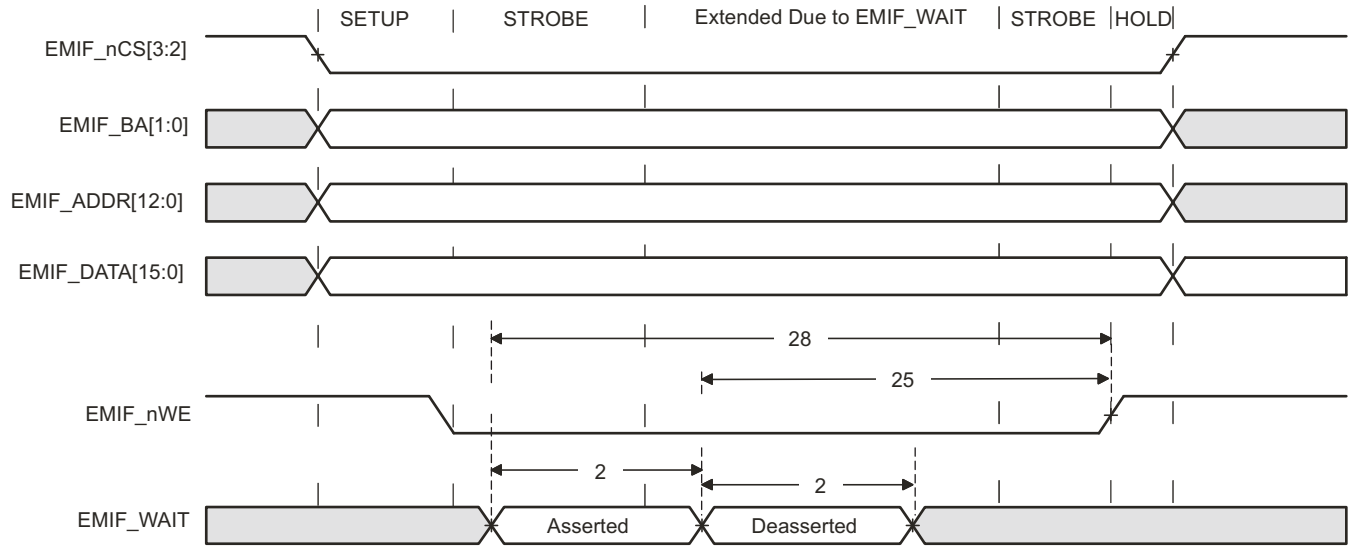


Figure 4-14. EMIFnWAIT Write Timing Requirements

#### 4.14.2.3 Read Timing (Synchronous RAM)

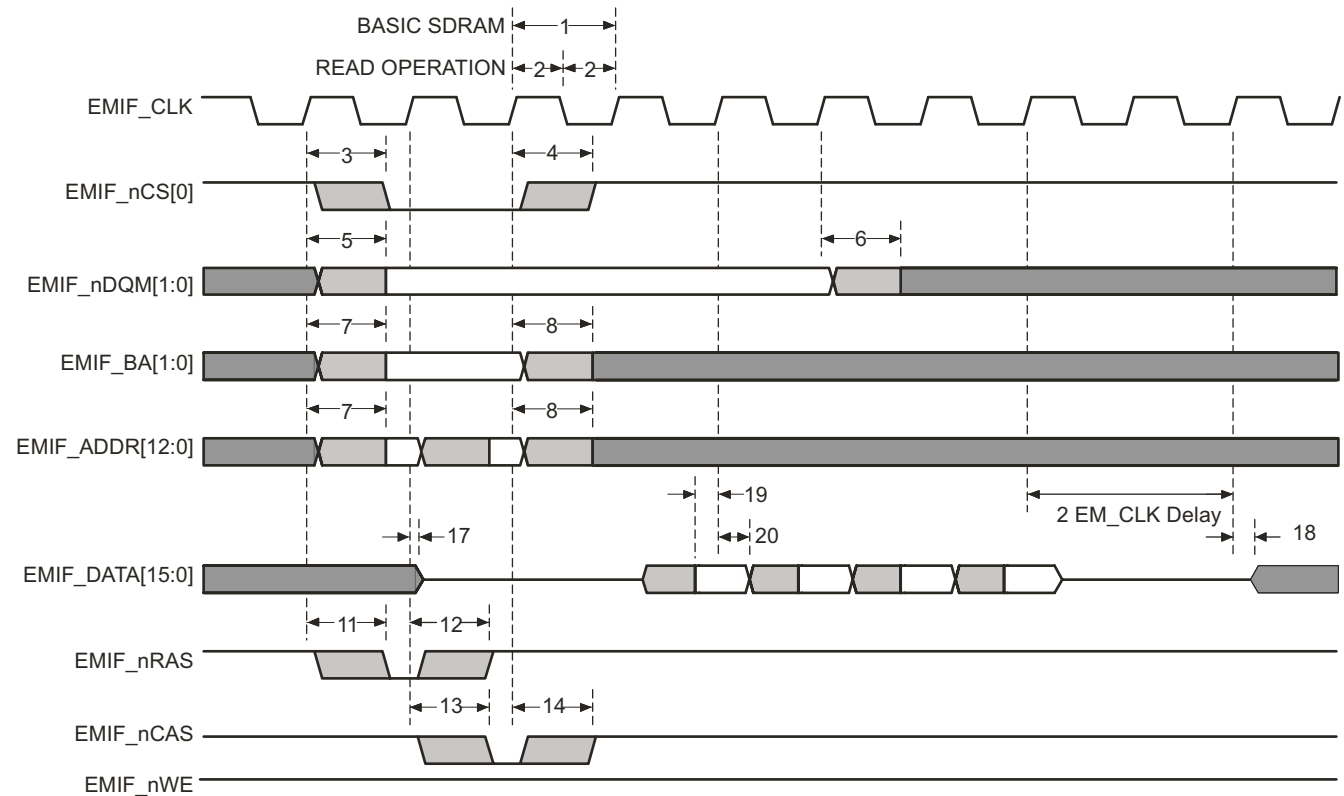


Figure 4-15. Basic SDRAM Read Operation

#### 4.14.2.4 Write Timing (Synchronous RAM)

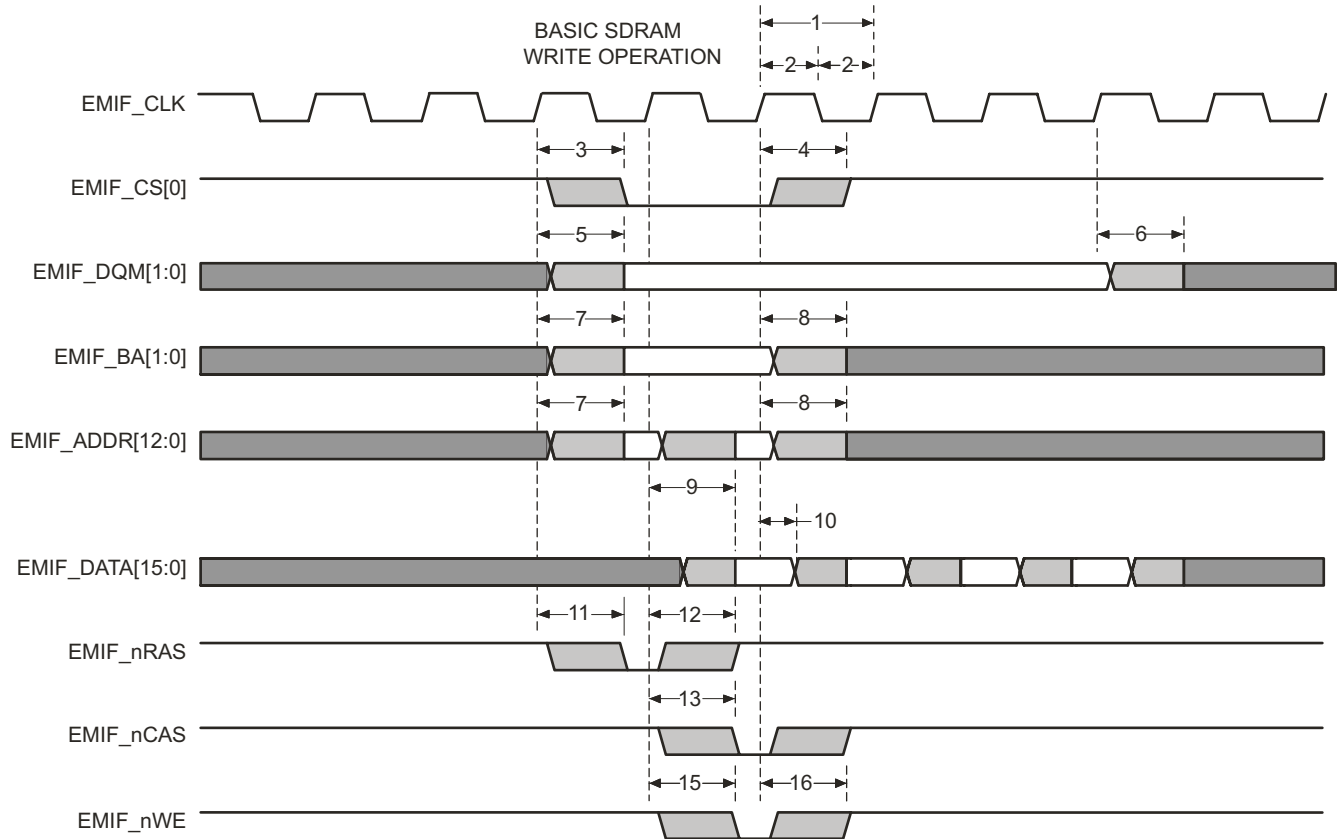


Figure 4-16. Basic SDRAM Write Operation

#### 4.14.2.5 EMIF Asynchronous Memory Timing

Table 4-27. EMIF Asynchronous Memory Timing Requirements

NO.		Value	Unit		
			MIN	NOM	MAX
<b>Reads and Writes</b>					
2	$t_{w(EM\_WAIT)}$	Pulse duration, EMIFnWAIT assertion and deassertion	2E		ns
<b>Reads</b>					
12	$t_{su(EMDV-EMOE H)}$	Setup time, EMIFDATA[15:0] valid before EMIFnOE high	11		ns
13	$t_{h(EMOE H-EMDIV)}$	Hold time, EMIFDATA[15:0] valid after EMIFnOE high	0.5		ns
14	$t_{su(EMOEL-EMWAIT)}$	Setup Time, EMIFnWAIT asserted before end of Strobe Phase <sup>(1)</sup>	4E+3		ns
<b>Writes</b>					
28	$t_{su(EMWEL-EMWAIT)}$	Setup Time, EMIFnWAIT asserted before end of Strobe Phase <sup>(1)</sup>	4E+3		ns

(1) Setup before end of STROBE phase (if no extended wait states are inserted) by which EMIFnWAIT must be asserted to add extended wait states. Figure 4-12 and Figure 4-14 describe EMIF transactions that include extended wait states inserted during the STROBE phase. However, cycles inserted as part of this extended wait period should not be counted; the 4E requirement is to the start of where the HOLD phase would begin if there were no extended wait cycles.

**Table 4-28. EMIF Asynchronous Memory Switching Characteristics<sup>(1)(2)(3)</sup>**

NO	Parameter	Value			Unit	
		MIN	NOM	MAX		
<b>Reads and Writes</b>						
1	$t_{d(TURNAROUND)}$	Turn around time	$(TA)*E - 3$	$(TA)*E$	$(TA)*E + 3$	ns
<b>Reads</b>						
3	$t_{c(EMRCYCLE)}$	EMIF read cycle time (EW = 0)	$(RS+RST+RH)*E - 3$	$(RS+RST+RH)*E$	$(RS+RST+RH)*E + 3$	ns
		EMIF read cycle time (EW = 1)	$(RS+RST+RH+(EWC*16))*E - 3$	$(RS+RST+RH+(EWC*16))*E$	$(RS+RST+RH+(EWC*16))*E + 3$	ns
4	$t_{su(EMCEL-EMOEL)}$	Output setup time, EMIFnCS[4:2] low to EMIFnOE low (SS = 0)	$(RS)*E - 3$	$(RS)*E$	$(RS)*E + 3$	ns
		Output setup time, EMIFnCS[4:2] low to EMIFnOE low (SS = 1)	-3	0	+3	ns
5	$t_{h(EMOEH-EMCEH)}$	Output hold time, EMIFnOE high to EMIFnCS[4:2] high (SS = 0)	$(RH)*E - 3$	$(RH)*E$	$(RH)*E + 3$	ns
		Output hold time, EMIFnOE high to EMIFnCS[4:2] high (SS = 1)	-3	0	+3	ns
6	$t_{su(EMBAV-EMOEL)}$	Output setup time, EMIFBA[1:0] valid to EMIFnOE low	$(RS)*E - 3$	$(RS)*E$	$(RS)*E + 3$	ns
7	$t_{h(EMOEH-EMBAIV)}$	Output hold time, EMIFnOE high to EMIFBA[1:0] invalid	$(RH)*E - 3$	$(RH)*E$	$(RH)*E + 3$	ns
8	$t_{su(EMBAV-EMOEL)}$	Output setup time, EMIFADDR[12:0] valid to EMIFnOE low	$(RS)*E - 3$	$(RS)*E$	$(RS)*E + 3$	ns
9	$t_{h(EMOEH-EMAIV)}$	Output hold time, EMIFnOE high to EMIFADDR[12:0] invalid	$(RH)*E - 3$	$(RH)*E$	$(RH)*E + 3$	ns
10	$t_{w(EMOEL)}$	EMIFnOE active low width (EW = 0)	$(RST)*E - 3$	$(RST)*E$	$(RST)*E + 3$	ns
		EMIFnOE active low width (EW = 1)	$(RST+(EWC*16))*E - 3$	$(RST+(EWC*16))*E$	$(RST+(EWC*16))*E + 3$	ns
11	$t_{d(EMWAITH-EMOEH)}$	Delay time from EMIFnWAIT deasserted to EMIFnOE high	3E-3	4E	4E+3	ns
<b>Writes</b>						
15	$t_{c(EMWCYCLE)}$	EMIF write cycle time (EW = 0)	$(WS+WST+WH)*E - 3$	$(WS+WST+WH)*E$	$(WS+WST+WH)*E + 3$	ns
		EMIF write cycle time (EW = 1)	$(WS+WST+WH+(EWC*16))*E - 3$	$(WS+WST+WH+(EWC*16))*E$	$(WS+WST+WH+(EWC*16))*E + 3$	ns
16	$t_{su(EMCEL-EMWEL)}$	Output setup time, EMIFnCS[4:2] low to EMIFnWE low (SS = 0)	$(WS)*E - 3$	$(WS)*E$	$(WS)*E + 3$	ns
		Output setup time, EMIFnCS[4:2] low to EMIFnWE low (SS = 1)	-3	0	+3	ns
17	$t_{h(EMWEH-EMCEH)}$	Output hold time, EMIFnWE high to EMIFnCS[4:2] high (SS = 0)	$(WH)*E - 3$	$(WH)*E$	$(WH)*E + 3$	ns

- (1) TA = Turn around, RS = Read setup, RST = Read strobe, RH = Read hold, WS = Write setup, WST = Write strobe, WH = Write hold, MEWC = Maximum external wait cycles. These parameters are programmed via the Asynchronous Bank and Asynchronous Wait Cycle Configuration Registers. These support the following ranges of values: TA[4–1], RS[16–1], RST[64–1], RH[8–1], WS[16–1], WST[64–1], WH[8–1], and MEWC[1–256]. See the EMIF User's guide for more information.
- (2) E = EMIF\_CLK period in ns.
- (3) EWC = external wait cycles determined by EMIFnWAIT input signal. EWC supports the following range of values. EWC[256–1]. Note that the maximum wait time before timeout is specified by bit field MEWC in the Asynchronous Wait Cycle Configuration Register. See the EMIF User's Guide for more information.

PRODUCT PREVIEW



**Table 4-28. EMIF Asynchronous Memory Switching Characteristics<sup>(1)(2)(3)</sup> (continued)**

NO	Parameter		Value			Unit
			MIN	NOM	MAX	
		Output hold time, EMIFnWE high to EMIFCS[4:2] high (SS = 1)	-3	0	+3	ns
18	$t_{su}(EMDQMV-EMWEL)$	Output setup time, EMIFBA[1:0] valid to EMIFnWE low	(WS)*E-3	(WS)*E	(WS)*E+3	ns
19	$t_h(EMWEH-EMDQMIV)$	Output hold time, EMIFnWE high to EMIFBA[1:0] invalid	(WH)*E-3	(WH)*E	(WH)*E+3	ns
20	$t_{su}(EMBAV-EMWEL)$	Output setup time, EMIFBA[1:0] valid to EMIFnWE low	(WS)*E-3	(WS)*E	(WS)*E+3	ns
21	$t_h(EMWEH-EMBAIV)$	Output hold time, EMIFnWE high to EMIFBA[1:0] invalid	(WH)*E-3	(WH)*E	(WH)*E+3	ns
22	$t_{su}(EMAV-EMWEL)$	Output setup time, EMIFADDR[12:0] valid to EMIFnWE low	(WS)*E-3	(WS)*E	(WS)*E+3	ns
23	$t_h(EMWEH-EMAIV)$	Output hold time, EMIFnWE high to EMIFADDR[12:0] invalid	(WH)*E-3	(WH)*E	(WH)*E+3	ns
24	$t_w(EMWEL)$	EMIFnWE active low width (EW = 0)	(WST)*E-3	(WST)*E	(WST)*E+3	ns
		EMIFnWE active low width (EW = 1)	(WST+(EWC*16))*E-3	(WST+(EWC*16))*E	(WST+(EWC*16))*E+3	ns
25	$t_d(EMWAITH-EMWEH)$	Delay time from EMIFnWAIT deasserted to EMIFnWE high	3E-3	4E	4E+3	ns
26	$t_{su}(EMDV-EMWEL)$	Output setup time, EMIFDATA[15:0] valid to EMIFnWE low	(WS)*E-3	(WS)*E	(WS)*E+3	ns
27	$t_h(EMWEH-EMDIV)$	Output hold time, EMIFnWE high to EMIFDATA[15:0] invalid	(WH)*E-3	(WH)*E	(WH)*E+3	ns

**Table 4-29. EMIF Synchronous Memory Timing Requirements**

NO.	Parameter		MIN	MAX	Unit
19	$t_{su}(EMIFDV-EM\_CLKH)$	Input setup time, read data valid on EMIFDATA[15:0] before EMIF_CLK rising	1		ns
20	$t_h(CLKH-DIV)$	Input hold time, read data valid on EMIFDATA[15:0] after EMIF_CLK rising	1.5		ns

**Table 4-30. EMIF Synchronous Memory Switching Characteristics**

NO.	Parameter		MIN	MAX	Unit
1	$t_c(CLK)$	Cycle time, EMIF clock EMIF_CLK	10		ns
2	$t_w(CLK)$	Pulse width, EMIF clock EMIF_CLK high or low	3		ns
3	$t_d(CLKH-CSV)$	Delay time, EMIF_CLK rising to EMIFnCS[0] valid		7	ns
4	$t_{oh}(CLKH-CSIV)$	Output hold time, EMIF_CLK rising to EMIFnCS[0] invalid	1		ns
5	$t_d(CLKH-DQMV)$	Delay time, EMIF_CLK rising to EMIFnDQM[1:0] valid		7	ns
6	$t_{oh}(CLKH-DQMIV)$	Output hold time, EMIF_CLK rising to EMIFnDQM[1:0] invalid	1		ns
7	$t_d(CLKH-AV)$	Delay time, EMIF_CLK rising to EMIFADDR[12:0] and EMIFBA[1:0] valid		7	ns

**Table 4-30. EMIF Synchronous Memory Switching Characteristics (continued)**

NO.	Parameter		MIN	MAX	Unit
8	$t_{oh}(CLKH-AIV)$	Output hold time, EMIF_CLK rising to EMIFADDR[12:0] and EMIFBA[1:0] invalid	1		ns
9	$t_d(CLKH-DV)$	Delay time, EMIF_CLK rising to EMIFDATA[15:0] valid		7	ns
10	$t_{oh}(CLKH-DIV)$	Output hold time, EMIF_CLK rising to EMIFDATA[15:0] invalid	1		ns
11	$t_d(CLKH-RASV)$	Delay time, EMIF_CLK rising to EMIFnRAS valid		7	ns
12	$t_{oh}(CLKH-RASIV)$	Output hold time, EMIF_CLK rising to EMIFnRAS invalid	1		ns
13	$t_d(CLKH-CASV)$	Delay time, EMIF_CLK rising to EMIFnCAS valid		7	ns
14	$t_{oh}(CLKH-CASIV)$	Output hold time, EMIF_CLK rising to EMIFnCAS invalid	1		ns
15	$t_d(CLKH-WEV)$	Delay time, EMIF_CLK rising to EMIFnWE valid		7	ns
16	$t_{oh}(CLKH-WEIV)$	Output hold time, EMIF_CLK rising to EMIFnWE invalid	1		ns
17	$t_{dis}(CLKH-DHZ)$	Delay time, EMIF_CLK rising to EMIFDATA[15:0] tri-stated		7	ns
18	$t_{ena}(CLKH-DLZ)$	Output hold time, EMIF_CLK rising to EMIFDATA[15:0] driving	1		ns

PRODUCT PREVIEW

## 4.15 Vectored Interrupt Manager

The vectored interrupt manager (VIM) provides hardware assistance for prioritizing and controlling the many interrupt sources present on this device. Interrupts are caused by events outside of the normal flow of program execution. Normally, these events require a timely response from the central processing unit (CPU); therefore, when an interrupt occurs, the CPU switches execution from the normal program flow to an interrupt service routine (ISR).

### 4.15.1 VIM Features

The VIM module has the following features:

- Supports 128 interrupt channels.
  - Provides programmable priority and enable for interrupt request lines.
- Provides a direct hardware dispatch mechanism for fastest IRQ dispatch.
- Provides two software dispatch mechanisms when the CPU VIC port is not used.
  - Index interrupt
  - Register vectored interrupt
- Parity protected vector interrupt table against soft errors.

### 4.15.2 Interrupt Request Assignments

**Table 4-31. Interrupt Request Assignments**

Modules	Interrupt Sources	Default VIM Interrupt Channel
ESM	ESM High level interrupt (NMI)	0
Reserved	Reserved	1
RTI	RTI compare interrupt 0	2
RTI	RTI compare interrupt 1	3
RTI	RTI compare interrupt 2	4
RTI	RTI compare interrupt 3	5
RTI	RTI overflow interrupt 0	6
RTI	RTI overflow interrupt 1	7
RTI	RTI timebase interrupt	8
GIO	GIO interrupt A	9
N2HET1	N2HET1 level 0 interrupt	10
HET TU1	HET TU1 level 0 interrupt	11
MIBSPI1	MIBSPI1 level 0 interrupt	12
LIN	LIN level 0 interrupt	13
MIBADC1	MIBADC1 event group interrupt	14
MIBADC1	MIBADC1 sw group 1 interrupt	15
DCAN1	DCAN1 level 0 interrupt	16
SPI2	SPI2 level 0 interrupt	17
Reserved	Reserved	18
CRC	CRC Interrupt	19
ESM	ESM Low level interrupt	20
SYSTEM	Software interrupt (SSI)	21
CPU	PMU Interrupt	22
GIO	GIO interrupt B	23
N2HET1	N2HET1 level 1 interrupt	24
HET TU1	HET TU1 level 1 interrupt	25
MIBSPI1	MIBSPI1 level 1 interrupt	26

**Table 4-31. Interrupt Request Assignments (continued)**

Modules	Interrupt Sources	Default VIM Interrupt Channel
LIN	LIN level 1 interrupt	27
MIBADC1	MIBADC1 sw group 2 interrupt	28
DCAN1	DCAN1 level 1 interrupt	29
SPI2	SPI2 level 1 interrupt	30
MIBADC1	MIBADC1 magnitude compare interrupt	31
Reserved	Reserved	32
DMA	FTCA interrupt	33
DMA	LFSA interrupt	34
DCAN2	DCAN2 level 0 interrupt	35
MIBSPI3	MIBSPI3 level 0 interrupt	37
MIBSPI3	MIBSPI3 level 1 interrupt	38
DMA	HBCA interrupt	39
DMA	BTCA interrupt	40
EMIF	AEMIFINT3	41
DCAN2	DCAN2 level 1 interrupt	42
DCAN1	DCAN1 IF3 interrupt	44
DCAN3	DCAN3 level 0 interrupt	45
DCAN2	DCAN2 IF3 interrupt	46
Reserved	Reserved	47
Reserved	Reserved	48
SPI4	SPI4 level 0 interrupt	49
MIBADC2	MibADC2 event group interrupt	50
MIBADC2	MibADC2 sw group1 interrupt	51
Reserved	Reserved	52
MIBSPI5	MIBSPI5 level 0 interrupt	53
SPI4	SPI4 level 1 interrupt	54
DCAN3	DCAN3 level 1 interrupt	55
MIBSPI5	MIBSPI5 level 1 interrupt	56
MIBADC2	MibADC2 sw group2 interrupt	57
Reserved	Reserved	58
MIBADC2	MibADC2 magnitude compare interrupt	59
DCAN3	DCAN3 IF3 interrupt	60
FMC	FSM_DONE interrupt	61
Reserved	Reserved	62
N2HET2	N2HET2 level 0 interrupt	63
SCI	SCI level 0 interrupt	64
HET TU2	HET TU2 level 0 interrupt	65
I2C	I2C level 0 interrupt	66
USB Host	OHCI_INT	67
USB Device	USB_FUNC.IRQISOON	68
USB Device	USB_FUNC.IRQGENION	69
USB Device	USB_FUNC.IRQNONISOON	70
USB Device	not (USB_FUNC.DSWAKEREQON)	71
USB Device	USB_FUNC.USBRESETO	72
N2HET2	N2HET2 level 1 interrupt	73
SCI	SCI level 1 interrupt	74
HET TU2	HET TU2 level 1 interrupt	75

PRODUCT PREVIEW

**Table 4-31. Interrupt Request Assignments (continued)**

Modules	Interrupt Sources	Default VIM Interrupt Channel
Reserved	Reserved	76-79
HWAG1	HWA_INT_REQ_H	80
HWAG2	HWA_INT_REQ_H	81
DCC1	DCC done interrupt	82
DCC2	DCC2 done interrupt	83
Reserved	Reserved	84
PBIST Controller	PBIST Done Interrupt	85
Reserved	Reserved	86-87
HWAG1	HWA_INT_REQ_L	88
HWAG2	HWA_INT_REQ_L	89
ePWM1INTn	ePWM1 Interrupt	90
ePWM1TZINTn	ePWM1 Trip Zone Interrupt	91
ePWM2INTn	ePWM2 Interrupt	92
ePWM2TZINTn	ePWM2 Trip Zone Interrupt	93
ePWM3INTn	ePWM3 Interrupt	94
ePWM3TZINTn	ePWM3 Trip Zone Interrupt	95
ePWM4INTn	ePWM4 Interrupt	96
ePWM4TZINTn	ePWM4 Trip Zone Interrupt	97
ePWM5INTn	ePWM5 Interrupt	98
ePWM5TZINTn	ePWM5 Trip Zone Interrupt	99
ePWM6INTn	ePWM6 Interrupt	100
ePWM6TZINTn	ePWM6 Trip Zone Interrupt	101
ePWM7INTn	ePWM7 Interrupt	102
ePWM7TZINTn	ePWM7 Trip Zone Interrupt	103
eCAP1INTn	eCAP1 Interrupt	104
eCAP2INTn	eCAP2 Interrupt	105
eCAP3INTn	eCAP3 Interrupt	106
eCAP4INTn	eCAP4 Interrupt	107
eCAP5INTn	eCAP5 Interrupt	108
eCAP6INTn	eCAP6 Interrupt	109
eQEP1INTn	eQEP1 Interrupt	110
eQEP2INTn	eQEP2 Interrupt	111
Reserved	Reserved	112-127

**NOTE**

Address location 0x00000000 in the VIM RAM is reserved for the phantom interrupt ISR entry; therefore only request channels 0..126 can be used and are offset by 1 address in the VIM RAM.

**NOTE**

The EMIF\_nWAIT signal has a pull-up on it. The EMIF module generates a "Wait Rise" interrupt whenever it detects a rising edge on the EMIF\_nWAIT signal. This interrupt condition is indicated as soon as the device is powered up. This can be ignored if the EMIF\_nWAIT signal is not used in the application. If the EMIF\_nWAIT signal is actually used in the application, then the external slave memory must always drive the EMIF\_nWAIT signal such that an interrupt is not caused due to the default pull-up on this signal.

---

**NOTE**

The lower-order interrupt channels are higher priority channels than the higher-order interrupt channels.

---

**NOTE**

The application can change the mapping of interrupt sources to the interrupt channels via the interrupt channel control registers (CHANCTRLx) inside the VIM module.

---

## 4.16 DMA Controller

The DMA controller is used to transfer data between two locations in the memory map in the background of CPU operations. Typically, the DMA is used to:

- Transfer blocks of data between external and internal data memories
- Restructure portions of internal data memory
- Continually service a peripheral

### 4.16.1 DMA Features

- CPU independent data transfer
- One 64-bit master port that interfaces to the TMS570 Memory System.
- FIFO buffer(4 entries deep and each 64bit wide)
- Channel control information is stored in RAM protected by parity
- 16 channels with individual enable
- Channel chaining capability
- 32 peripheral DMA requests
- Hardware and Software DMA requests
- 8, 16, 32 or 64-bit transactions supported
- Multiple addressing modes for source/destination (fixed, increment, offset)
- Auto-initiation
- Power-management mode
- Memory Protection with four configurable memory regions

#### 4.16.2 Default DMA Request Map

The DMA module on this microcontroller has 16 channels and up to 32 hardware DMA requests. The module contains DREQASx registers which are used to map the DMA requests to the DMA channels. By default, channel 0 is mapped to request 0, channel 1 to request 1, and so on.

Some DMA requests have multiple sources, as shown in [Table 4-32](#). The application must ensure that only one of these DMA request sources is enabled at any time.

**Table 4-32. DMA Request Line Connection**

Modules	DMA Request Sources	DMA Request
MIBSPI1	MIBSPI1[1] <sup>(1)</sup>	DMAREQ[0]
MIBSPI1	MIBSPI1[0] <sup>(2)</sup>	DMAREQ[1]
SPI2	SPI2 receive	DMAREQ[2]
SPI2	SPI2 transmit	DMAREQ[3]
MIBSPI1 / MIBSPI3 / DCAN2	MIBSPI1[2] / MIBSPI3[2] / DCAN2 IF3	DMAREQ[4]
MIBSPI1 / MIBSPI3 / DCAN2	MIBSPI1[3] / MIBSPI3[3] / DCAN2 IF2	DMAREQ[5]
DCAN1 / MIBSPI5	DCAN1 IF2 / MIBSPI5[2]	DMAREQ[6]
MIBADC1 / MIBSPI5	MIBADC1 event / MIBSPI5[3]	DMAREQ[7]
MIBSPI1 / MIBSPI3 / DCAN1	MIBSPI1[4] / MIBSPI3[4] / DCAN1 IF1	DMAREQ[8]
MIBSPI1 / MIBSPI3 / DCAN2	MIBSPI1[5] / MIBSPI3[5] / DCAN2 IF1	DMAREQ[9]
MIBADC1 / I2C / MIBSPI5	MIBADC1 G1 / I2C receive / MIBSPI5[4]	DMAREQ[10]
MIBADC1 / I2C / MIBSPI5	MIBADC1 G2 / I2C transmit / MIBSPI5[5]	DMAREQ[11]
RTI / MIBSPI1 / MIBSPI3	RTI DMAREQ0 / MIBSPI1[6] / MIBSPI3[6]	DMAREQ[12]
RTI / MIBSPI1 / MIBSPI3	RTI DMAREQ1 / MIBSPI1[7] / MIBSPI3[7]	DMAREQ[13]
MIBSPI3 / USB Device / MibADC2 / MIBSPI5	MIBSPI3[1] <sup>(1)</sup> / USB_FUNC.DMATXREQ_ON[0] / MibADC2 event / MIBSPI5[6]	DMAREQ[14]
MIBSPI3 / USB Device / MIBSPI5	MIBSPI3[0] <sup>(2)</sup> / USB_FUNC.DMARXREQ_ON[0] / MIBSPI5[7]	DMAREQ[15]
MIBSPI1 / MIBSPI3 / DCAN1 / MibADC2	MIBSPI1[8] / MIBSPI3[8] / DCAN1 IF3 / MibADC2 G1	DMAREQ[16]
MIBSPI1 / MIBSPI3 / DCAN3 / MibADC2	MIBSPI1[9] / MIBSPI3[9] / DCAN3 IF1 / MibADC2 G2	DMAREQ[17]
RTI / USB Device / MIBSPI5	RTI DMAREQ2 / USB_FUNC.DMATXREQ_ON[1] / MIBSPI5[8]	DMAREQ[18]
RTI / USB Device / MIBSPI5	RTI DMAREQ3 / USB_FUNC.DMARXREQ_ON[1] / MIBSPI5[9]	DMAREQ[19]
N2HET1 / N2HET2 / DCAN3	N2HET1 DMAREQ[4] / N2HET2 DMAREQ[4] / DCAN3 IF2	DMAREQ[20]
N2HET1 / N2HET2 / DCAN3	N2HET1 DMAREQ[5] / N2HET2 DMAREQ[5] / DCAN3 IF3	DMAREQ[21]
MIBSPI1 / MIBSPI3 / MIBSPI5	MIBSPI1[10] / MIBSPI3[10] / MIBSPI5[10]	DMAREQ[22]
MIBSPI1 / MIBSPI3 / MIBSPI5	MIBSPI1[11] / MIBSPI3[11] / MIBSPI5[11]	DMAREQ[23]
N2HET1 / N2HET2 / SPI4 / MIBSPI5	N2HET1 DMAREQ[6] / N2HET2 DMAREQ[6] / SPI4 receive / MIBSPI5[12]	DMAREQ[24]
N2HET1 / N2HET2 / SPI4 / MIBSPI5	N2HET1 DMAREQ[7] / N2HET2 DMAREQ[7] / SPI4 transmit / MIBSPI5[13]	DMAREQ[25]
CRC / MIBSPI1 / MIBSPI3	CRC DMAREQ[0] / MIBSPI1[12] / MIBSPI3[12]	DMAREQ[26]
CRC / MIBSPI1 / MIBSPI3	CRC DMAREQ[1] / MIBSPI1[13] / MIBSPI3[13]	DMAREQ[27]
LIN / USB Device / MIBSPI5	LIN receive / USB_FUNC.DMATXREQ_ON[2] / MIBSPI5[14]	DMAREQ[28]
LIN / USB Device / MIBSPI5	LIN transmit / USB_FUNC.DMARXREQ_ON[2] / MIBSPI5[15]	DMAREQ[29]
MIBSPI1 / MIBSPI3 / SCI / MIBSPI5	MIBSPI1[14] / MIBSPI3[14] / SCI receive / MIBSPI5[1] <sup>(1)</sup>	DMAREQ[30]

(1) SPI1, SPI3, SPI5 receive when configured in standard SPI mode

(2) SPI1, SPI3, SPI5 transmit when configured in standard SPI mode



**Table 4-32. DMA Request Line Connection (continued)**

Modules	DMA Request Sources	DMA Request
MIBSPI1 / MIBSPI3 / SCI / MIBSPI5	MIBSPI1[15] / MIBSPI3[15] / SCI transmit / MIBSPI5[0] <sup>(2)</sup>	DMAREQ[31]

## 4.17 Real Time Interrupt Module

The real-time interrupt (RTI) module provides timer functionality for operating systems and for benchmarking code. The RTI module can incorporate several counters that define the timebases needed for scheduling an operating system.

The timers also allow you to benchmark certain areas of code by reading the values of the counters at the beginning and the end of the desired code range and calculating the difference between the values.

### 4.17.1 Features

The RTI module has the following features:

- Two independent 64 bit counter blocks
- Four configurable compares for generating operating system ticks or DMA requests. Each event can be driven by either counter block 0 or counter block 1.
- Fast enabling/disabling of events
- Two time-stamp (capture) functions for system or peripheral interrupts, one for each counter block

### 4.17.2 Block Diagrams

Figure 4-17 shows a high-level block diagram for one of the two 64-bit counter blocks inside the RTI module. Both the counter blocks are identical except the Network Time Unit (NTUx) inputs are only available as time base inputs for the counter block 0.

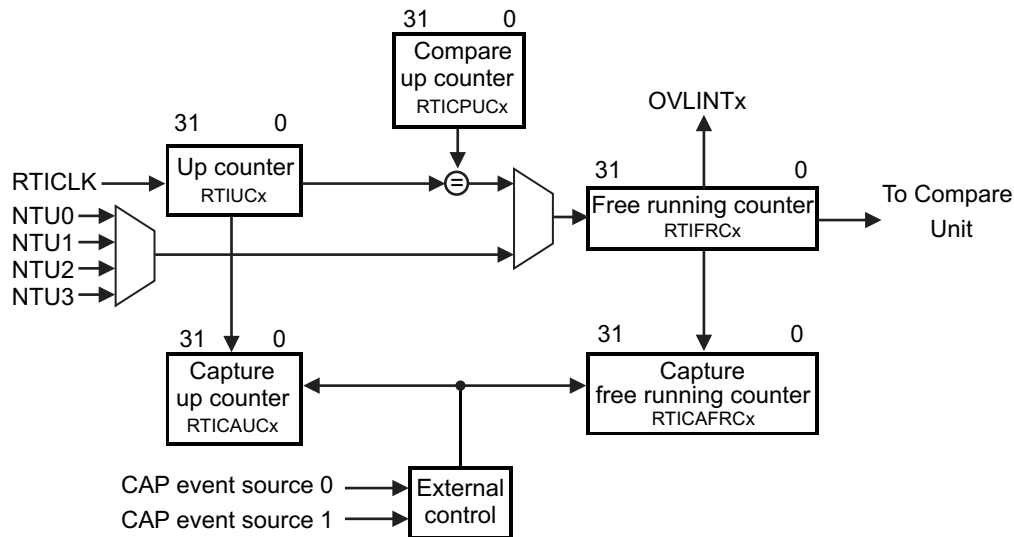


Figure 4-17. Counter Block Diagram

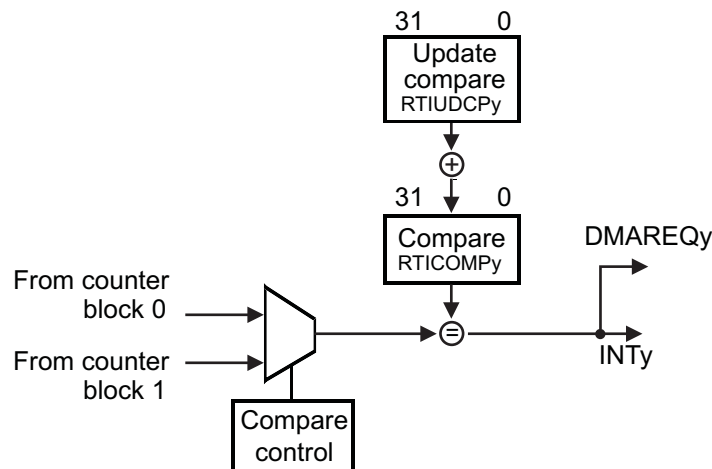


Figure 4-18. Compare Block Diagram

### 4.17.3 Clock Source Options

The RTI module uses the RTI1CLK clock domain for generating the RTI time bases.

The application can select the clock source for the RTI1CLK by configuring the RCLKSRC register in the System module at address 0xFFFFF50. The default source for RTI1CLK is VCLK.

For more information on clock sources refer to [Table 4-8](#) and [Table 4-13](#).

### 4.17.4 Network Time Synchronization Inputs

The RTI module supports 4 Network Time Unit (NTU) inputs that signal internal system events, and which can be used to synchronize the time base used by the RTI module. On this device, these NTU inputs are connected as shown below.

Table 4-33. Network Time Synchronization Inputs

NTU Input	Source
0	Reserved
1	Reserved
2	PLL2 Clock output
3	EXTCLKIN1 clock input

## 4.18 Error Signaling Module

The Error Signaling Module (ESM) manages the various error conditions on the TMS570 microcontroller. The error condition is handled based on a fixed severity level assigned to it. Any severe error condition can be configured to drive a low level on a dedicated device terminal called nERROR. This can be used as an indicator to an external monitor circuit to put the system into a safe state.

### 4.18.1 Features

The features of the Error Signaling Module are:

- 128 interrupt/error channels are supported, divided into 3 different groups
  - 64 channels with maskable interrupt and configurable error pin behavior
  - 32 error channels with non-maskable interrupt and predefined error pin behavior
  - 32 channels with predefined error pin behavior only
- Error pin to signal severe device failure
- Configurable timebase for error signal
- Error forcing capability

### 4.18.2 ESM Channel Assignments

The Error Signaling Module (ESM) integrates all the device error conditions and groups them in the order of severity. Group1 is used for errors of the lowest severity while Group3 is used for errors of the highest severity. The device response to each error is determined by the severity group it is connected to. [Table 4-35](#) shows the channel assignment for each group.

**Table 4-34. ESM Groups**

ERROR GROUP	INTERRUPT CHARACTERISTICS	INFLUENCE ON ERROR PIN
Group1	maskable, low or high priority	configurable
Group2	non-maskable, high priority	fixed
Group3	no interrupt generated	fixed

**Table 4-35. ESM Channel Assignments**

ERROR Condition	Group	Channels
Reserved	Group1	0
MibADC2 - RAM parity error	Group1	1
DMA - MPU configuration violation	Group1	2
DMA - control packet RAM parity error	Group1	3
Reserved	Group1	4
DMA - error on DMA read access, imprecise error	Group1	5
FMC - correctable ECC error: bus1 and bus2 interfaces (does not include accesses to Bank 7)	Group1	6
N2HET1 - RAM parity error	Group1	7
HET TU1/HET TU2 - dual-control packet RAM parity error	Group1	8
HET TU1/HET TU2 - MPU configuration violation	Group1	9
PLL1 - Slip	Group1	10
Clock Monitor - oscillator fail	Group1	11
Reserved	Group1	12
DMA - error on DMA write access, imprecise error	Group1	13
Reserved	Group1	14
VIM RAM - parity error	Group1	15
Reserved	Group1	16
MibSPI1 - RAM parity error	Group1	17

**Table 4-35. ESM Channel Assignments (continued)**

<b>ERROR Condition</b>	<b>Group</b>	<b>Channels</b>
MibSPI3 - RAM parity error	Group1	18
MibADC1 - RAM parity error	Group1	19
Reserved	Group1	20
DCAN1 - RAM parity error	Group1	21
DCAN3 - RAM parity error	Group1	22
DCAN2 - RAM parity error	Group1	23
MibSPI5 - RAM parity error	Group1	24
Reserved	Group1	25
RAM even bank (B0TCM) - correctable ECC error	Group1	26
CPU - self-test failed	Group1	27
RAM odd bank (B1TCM) - correctable ECC error	Group1	28
Reserved	Group1	29
DCC1 - error	Group1	30
CCM-R4 - self-test failed	Group1	31
Reserved	Group1	32
Reserved	Group1	33
N2HET2 - RAM parity error	Group1	34
FMC - correctable ECC error (Bank 7 access)	Group1	35
FMC - uncorrectable ECC error (Bank 7 access)	Group1	36
IOMM - Access to unimplemented location in IOMM frame, or write access detected in unprivileged mode	Group1	37
Power domain controller compare error	Group1	38
Power domain controller self-test error	Group1	39
eFuse farm error – this error signal is generated when any bit in the eFuse farm error status register is set. The application can choose to generate an interrupt whenever this bit is set to service any eFuse farm error conditions.	Group1	40
eFuse farm - self test error. This error signal is generated only when a self test on the eFuse controller generates an error condition. When this error signal is set, group 1 channel 40 error signal will also be set.	Group1	41
PLL#2 - Slip	Group1	42
Reserved	Group1	43
USB Host Controller master interface	Group1	44
Reserved	Group1	45
Reserved	Group1	46
Reserved	Group1	47
Reserved	Group1	48
Reserved	Group1	49
Reserved	Group1	50
Reserved	Group1	51
Reserved	Group1	52
Reserved	Group1	53
Reserved	Group1	54
Reserved	Group1	55
Reserved	Group1	56
Reserved	Group1	57
Reserved	Group1	58
Reserved	Group1	59
Reserved	Group1	60
Reserved	Group1	61

**Table 4-35. ESM Channel Assignments (continued)**

ERROR Condition	Group	Channels
DCC2 - error	Group1	62
Reserved	Group1	63
Reserved	Group2	0
Reserved	Group2	1
CCMR4 - dual-CPU lock-step error	Group2	2
Reserved	Group2	3
FMC - uncorrectable address parity error on accesses to main flash	Group2	4
Reserved	Group2	5
RAM even bank (B0TCM) - uncorrectable redundant address decode error	Group2	6
Reserved	Group2	7
RAM odd bank (B1TCM) - uncorrectable redundant address decode error	Group2	8
Reserved	Group2	9
RAM even bank (B0TCM) - address bus parity error	Group2	10
Reserved	Group2	11
RAM odd bank (B1TCM) - address bus parity error	Group2	12
Reserved	Group2	13
Reserved	Group2	14
Reserved	Group2	15
Flash (ATCM) - ECC live lock detect	Group2	16
Reserved	Group2	17
Reserved	Group2	18
Reserved	Group2	19
Reserved	Group2	20
Reserved	Group2	21
Reserved	Group2	22
Reserved	Group2	23
Windowed Watchdog (WWD) violation	Group2	24
Reserved	Group2	25
Reserved	Group2	26
Reserved	Group2	27
Reserved	Group2	28
Reserved	Group2	29
Reserved	Group2	30
Reserved	Group2	31
Reserved	Group3	0
eFuse Farm - autoloader error	Group3	1
Reserved	Group3	2
RAM even bank (B0TCM) - ECC uncorrectable error	Group3	3
Reserved	Group3	4
RAM odd bank (B1TCM) - ECC uncorrectable error	Group3	5
Reserved	Group3	6
FMC - uncorrectable ECC error: bus1 and bus2 interfaces (does not include address parity error and errors on accesses to Bank 7)	Group3	7
Reserved	Group3	8
Reserved	Group3	9
Reserved	Group3	10
Reserved	Group3	11
Reserved	Group3	12

PRODUCT PREVIEW

**Table 4-35. ESM Channel Assignments (continued)**

<b>ERROR Condition</b>	<b>Group</b>	<b>Channels</b>
Reserved	Group3	13
Reserved	Group3	14
Reserved	Group3	15
Reserved	Group3	16
Reserved	Group3	17
Reserved	Group3	18
Reserved	Group3	19
Reserved	Group3	20
Reserved	Group3	21
Reserved	Group3	22
Reserved	Group3	23
Reserved	Group3	24
Reserved	Group3	25
Reserved	Group3	26
Reserved	Group3	27
Reserved	Group3	28
Reserved	Group3	29
Reserved	Group3	30
Reserved	Group3	31

**PRODUCT PREVIEW**

## 4.19 Reset / Abort / Error Sources

**Table 4-36. Reset/Abort/Error Sources**

ERROR SOURCE	SYSTEM MODE	ERROR RESPONSE	ESM HOOKUP group.channel
<b>CPU TRANSACTIONS</b>			
Precise write error (NCNB/Strongly Ordered)	User/Privilege	Precise Abort (CPU)	n/a
Precise read error (NCB/Device or Normal)	User/Privilege	Precise Abort (CPU)	n/a
Imprecise write error (NCB/Device or Normal)	User/Privilege	Imprecise Abort (CPU)	n/a
Illegal instruction	User/Privilege	Undefined Instruction Trap (CPU) <sup>(1)</sup>	n/a
MPU access violation	User/Privilege	Abort (CPU)	n/a
<b>SRAM</b>			
B0 TCM (even) ECC single error (correctable)	User/Privilege	ESM	1.26
B0 TCM (even) ECC double error (non-correctable)	User/Privilege	Abort (CPU), ESM => nERROR	3.3
B0 TCM (even) uncorrectable error (i.e. redundant address decode)	User/Privilege	ESM => NMI => nERROR	2.6
B0 TCM (even) address bus parity error	User/Privilege	ESM => NMI => nERROR	2.10
B1 TCM (odd) ECC single error (correctable)	User/Privilege	ESM	1.28
B1 TCM (odd) ECC double error (non-correctable)	User/Privilege	Abort (CPU), ESM => nERROR	3.5
B1 TCM (odd) uncorrectable error (i.e. redundant address decode)	User/Privilege	ESM => NMI => nERROR	2.8
B1 TCM (odd) address bus parity error	User/Privilege	ESM => NMI => nERROR	2.12
<b>FLASH WITH CPU BASED ECC</b>			
FMC correctable error - Bus1 and Bus2 interfaces (does not include accesses to Bank 7)	User/Privilege	ESM	1.6
FMC uncorrectable error - Bus1 and Bus2 accesses (does not include address parity error)	User/Privilege	Abort (CPU), ESM => nERROR	3.7
FMC uncorrectable error - address parity error on Bus1 accesses	User/Privilege	ESM => NMI => nERROR	2.4
FMC correctable error - Accesses to Bank 7	User/Privilege	ESM	1.35
FMC uncorrectable error - Accesses to Bank 7	User/Privilege	ESM	1.36
<b>DMA TRANSACTIONS</b>			
External imprecise error on read (Illegal transaction with ok response)	User/Privilege	ESM	1.5
External imprecise error on write (Illegal transaction with ok response)	User/Privilege	ESM	1.13
Memory access permission violation	User/Privilege	ESM	1.2
Memory parity error	User/Privilege	ESM	1.3
<b>HET TU1 (HTU1)</b>			
NCNB (Strongly Ordered) transaction with slave error response	User/Privilege	Interrupt => VIM	n/a
External imprecise error (Illegal transaction with ok response)	User/Privilege	Interrupt => VIM	n/a
Memory access permission violation	User/Privilege	ESM	1.9
Memory parity error	User/Privilege	ESM	1.8
<b>HET TU2 (HTU2)</b>			
NCNB (Strongly Ordered) transaction with slave error response	User/Privilege	Interrupt => VIM	n/a
External imprecise error (Illegal transaction with ok response)	User/Privilege	Interrupt => VIM	n/a
Memory access permission violation	User/Privilege	ESM	1.9
Memory parity error	User/Privilege	ESM	1.8

(1) The Undefined Instruction TRAP is NOT detectable outside the CPU. The trap is taken only if the instruction reaches the execute stage of the CPU.

PRODUCT PREVIEW



**Table 4-36. Reset/Abort/Error Sources (continued)**

ERROR SOURCE	SYSTEM MODE	ERROR RESPONSE	ESM HOOKUP group.channel
<b>N2HET1</b>			
Memory parity error	User/Privilege	ESM	1.7
<b>N2HET2</b>			
Memory parity error	User/Privilege	ESM	1.34
<b>USB HOST CONTROLLER (OHCI) MASTER INTERFACE</b>			
Any error reported by slave being accessed	User/Privilege	ESM	1.44
<b>MIBSPI</b>			
MibSPI1 memory parity error	User/Privilege	ESM	1.17
MibSPI3 memory parity error	User/Privilege	ESM	1.18
MibSPI5 memory parity error	User/Privilege	ESM	1.24
<b>MIBADC</b>			
MibADC1 Memory parity error	User/Privilege	ESM	1.19
MibADC2 Memory parity error	User/Privilege	ESM	1.1
<b>DCAN</b>			
DCAN1 memory parity error	User/Privilege	ESM	1.21
DCAN2 memory parity error	User/Privilege	ESM	1.23
DCAN3 memory parity error	User/Privilege	ESM	1.22
<b>PLL</b>			
PLL slip error	User/Privilege	ESM	1.10
PLL #2 slip error	User/Privilege	ESM	1.42
<b>CLOCK MONITOR</b>			
Clock monitor interrupt	User/Privilege	ESM	1.11
<b>DCC</b>			
DCC1 error	User/Privilege	ESM	1.30
DCC2 error	User/Privilege	ESM	1.62
<b>CCM-R4</b>			
Self test failure	User/Privilege	ESM	1.31
Compare failure	User/Privilege	ESM => NMI => nERROR	2.2
<b>VIM</b>			
Memory parity error	User/Privilege	ESM	1.15
<b>VOLTAGE MONITOR</b>			
VMON out of voltage range	n/a	Reset	n/a
<b>CPU SELFTEST (LBIST)</b>			
CPU Selftest (LBIST) error	User/Privilege	ESM	1.27
<b>PIN MULTIPLEXING CONTROL</b>			
Mux configuration error	User/Privilege	ESM	1.37
<b>POWER DOMAIN CONTROL</b>			
PSCON compare error	User/Privilege	ESM	1.38
PSCON self-test error	User/Privilege	ESM	1.39
<b>eFuse CONTROLLER</b>			
eFuse Controller Autoload error	User/Privilege	ESM => nERROR	3.1
eFuse Controller - Any bit set in the error status register	User/Privilege	ESM	1.40
eFuse Controller self-test error	User/Privilege	ESM	1.41
<b>WINDOWED WATCHDOG</b>			
WWD Non-Maskable Interrupt exception	n/a	ESM => NMI => nERROR	2.24
<b>ERRORS REFLECTED IN THE SYSESR REGISTER</b>			
Power-Up Reset	n/a	Reset	n/a

**Table 4-36. Reset/Abort/Error Sources (continued)**

ERROR SOURCE	SYSTEM MODE	ERROR RESPONSE	ESM HOOKUP group.channel
Oscillator fail / PLL slip <sup>(2)</sup>	n/a	Reset	n/a
Watchdog exception	n/a	Reset	n/a
CPU Reset (driven by the CPU STC)	n/a	Reset	n/a
Software Reset	n/a	Reset	n/a
External Reset	n/a	Reset	n/a

(2) Oscillator fail/PLL slip can be configured in the system register (SYS.PLLCTL1) to generate a reset.

## 4.20 Digital Windowed Watchdog

This device includes a digital windowed watchdog (DWWD) module that protects against runaway code execution.

The DWWD module allows the application to configure the time window within which the DWWD module expects the application to service the watchdog. A watchdog violation occurs if the application services the watchdog outside of this window, or fails to service the watchdog at all. The application can choose to generate a system reset or an ESM group2 error signal in case of a watchdog violation.

The watchdog is disabled by default and must be enabled by the application. Once enabled, the watchdog can only be disabled upon a system reset.

## 4.21 Debug Subsystem

### 4.21.1 Block Diagram

The device contains an ICEPICK module to allow JTAG access to the scan chains.

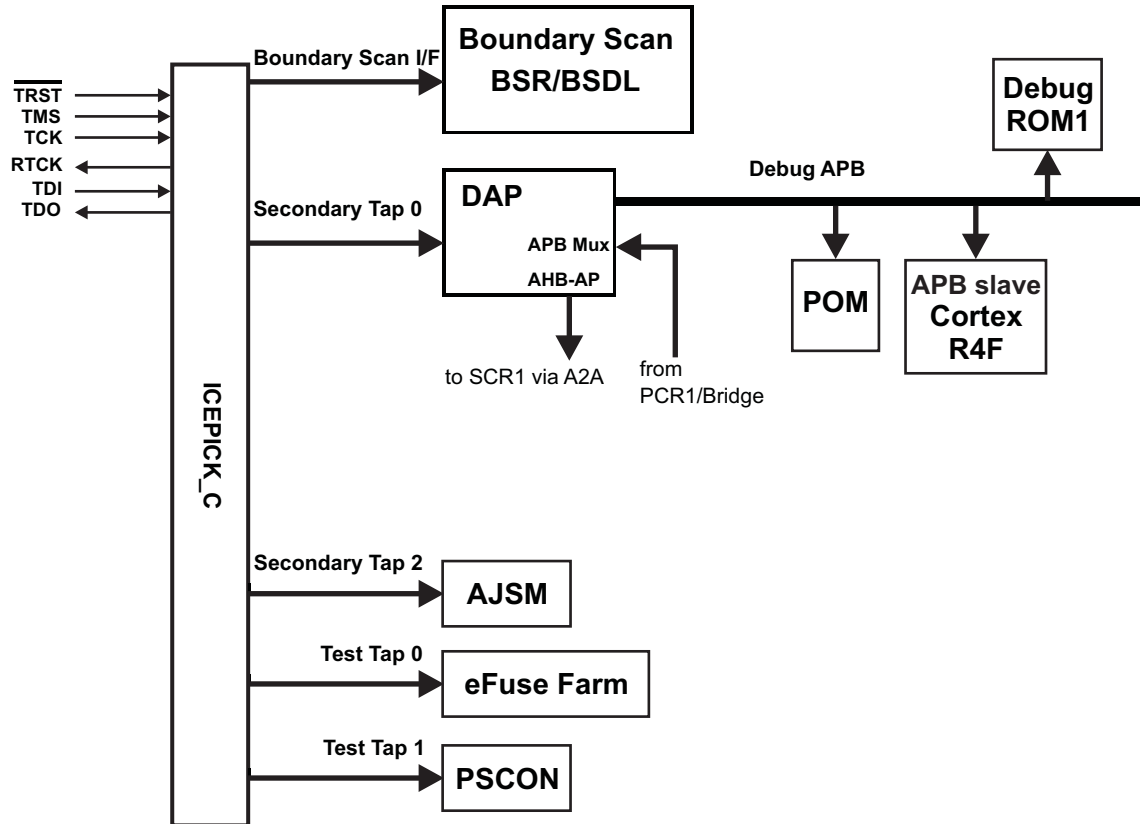


Figure 4-19. Debug Subsystem Block Diagram

### 4.21.2 Debug Components Memory Map

Table 4-37. Debug Components Memory Map

MODULE NAME	FRAME CHIP SELECT	FRAME ADDRESS RANGE		FRAME SIZE	ACTUAL SIZE	RESPONSE FOR ACCESS TO UNIMPLEMENTED LOCATIONS IN FRAME
		START	END			
CoreSight Debug ROM	CSCS0	0xFFA0_0000	0xFFA0_0FFF	4kB	4kB	Reads return zeros, writes have no effect
Cortex-R4F Debug	CSCS1	0xFFA0_1000	0xFFA0_1FFF	4kB	4kB	Reads return zeros, writes have no effect

### 4.21.3 JTAG Identification Code

The JTAG ID code for this device is 0x0B95502F. This is the same as the device ICEPick Identification Code.

### 4.21.4 Debug ROM

The Debug ROM stores the location of the components on the Debug APB bus:

**Table 4-38. Debug ROM table**

ADDRESS	DESCRIPTION	VALUE
0x000	pointer to Cortex-R4F	0x0000 1003
0x001	Reserved	0x0000 2002
0x002	Reserved	0x0000 3002
0x003	POM	0x0000 4003
0x004	end of table	0x0000 0000

### 4.21.5 JTAG Scan Interface Timings

Table 4-39. JTAG Scan Interface Timing<sup>(1)</sup>

No.	Parameter		Min	MAX	Unit
	fTCK	TCK frequency (at HCLKmax)		12	MHz
	fRTCK	RTCK frequency (at TCKmax and HCLKmax)	10		MHz
1	td(TCK -RTCK)	Delay time, TCK to RTCK		24	ns
2	tsu(TDI/TMS - RTCKr)	Setup time, TDI, TMS before RTCK rise (RTCKr)	21		ns
3	th(RTCKr -TDI/TMS)	Hold time, TDI, TMS after RTCKr	0		ns
4	th(RTCKr -TDO)	Hold time, TDO after RTCKf	0		ns
5	td(TCKf -TDO)	Delay time, TDO valid after RTCK fall (RTCKf)		10	ns

(1) Timings for TDO are specified for a maximum of 50pF load on TDO

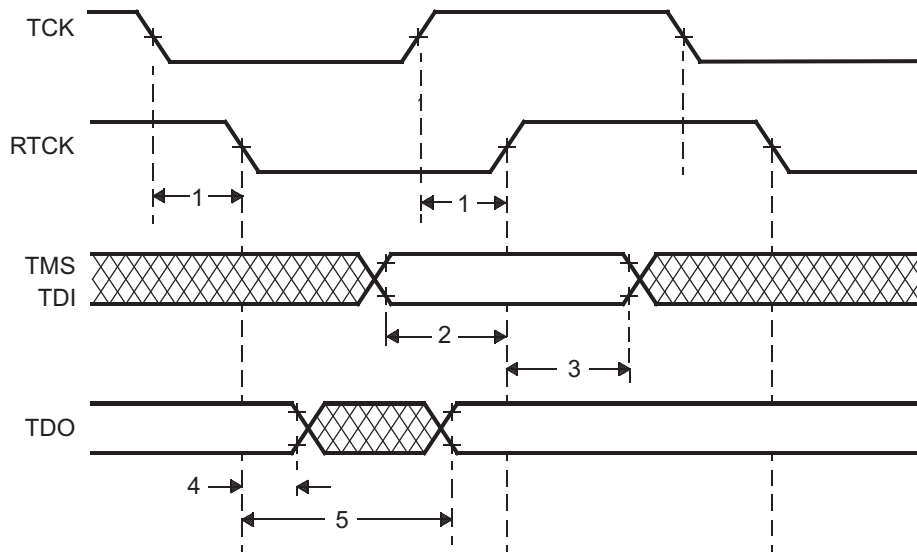


Figure 4-20. JTAG Timing

### 4.21.6 Advanced JTAG Security Module

This device includes a an Advanced JTAG Security Module (AJSM). which provides maximum security to the device's memory content by allowing users to secure the device after programming.

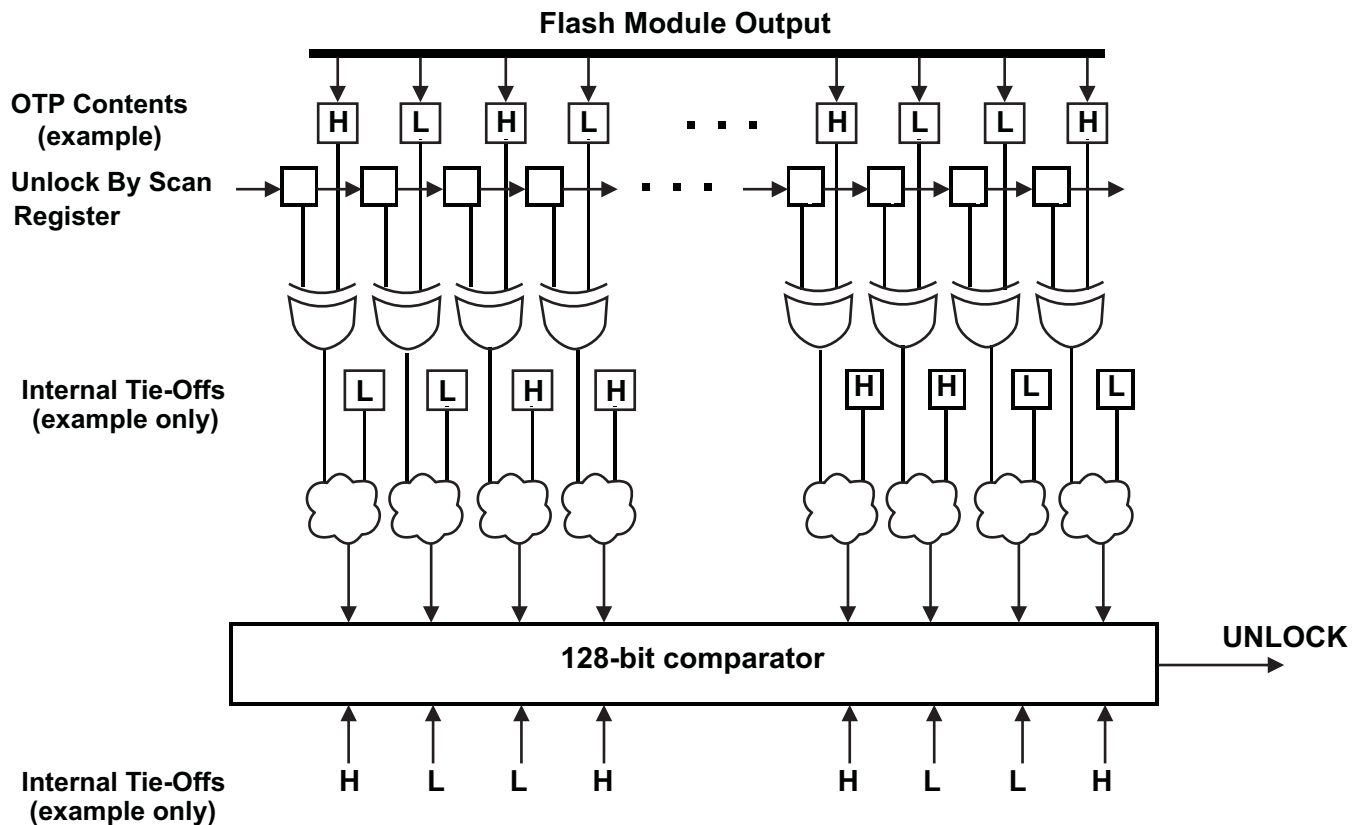


Figure 4-21. AJSM Unlock

The device is unsecure by default by virtue of a 128-bit visible unlock code programmed in the OTP address 0xF0000000. The OTP contents are XOR-ed with the "Unlock By Scan" register contents. The outputs of these XOR gates are again combined with a set of secret internal tie-offs. The output of this combinational logic is compared against a secret hard-wired 128-bit value. A match results in the UNLOCK signal being asserted, so that the device is now unsecure.

A user can secure the device by changing at least one bit in the visible unlock code from 1 to 0. Changing a 0 to 1 is not possible since the visible unlock code is stored in the One Time Programmable (OTP) flash region. Also, changing all the 128 bits to zeros is not a valid condition and will permanently secure the device.

Once secured, a user can unsecure the device by scanning an appropriate value into the "Unlock By Scan" register of the AJSM module. This register is accessible by configuring an IR value of 0b1011 on the AJSM TAP. The value to be scanned is such that the XOR of the OTP contents and the Unlock-By-Scan register contents results in the original visible unlock code.

The Unlock-By-Scan register is reset only upon asserting power-on reset (nPORRST).

A secure device only permits JTAG accesses to the AJSM scan chain via the Secondary Tap # 2 of the ICEPick module. All other secondary taps, test taps and the boundary scan interface are not accessible in this state.

### 4.21.7 Boundary Scan Chain

The device supports BSDL-compliant boundary scan for testing pin-to-pin compatibility. The boundary scan chain is connected to the Boundary Scan Interface of the ICEPICK module.

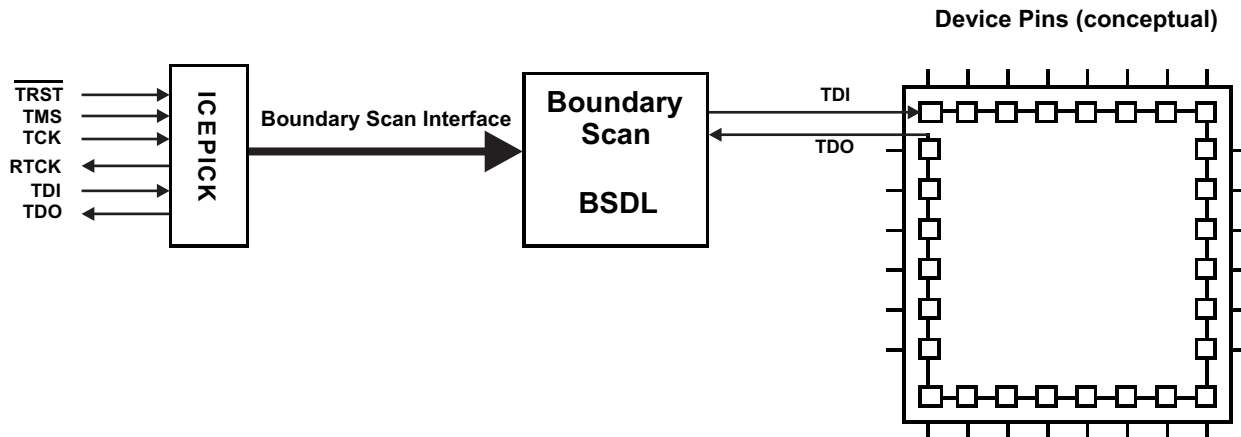


Figure 4-22. Boundary Scan Implementation (Conceptual Diagram)

Data is serially shifted into all boundary-scan buffers via TDI, and out via TDO.



## 5 Peripheral Information and Electrical Specifications

### 5.1 Enhanced Translator PWM Modules (ePWM)

Figure 5-1 illustrates the connections between the seven ePWM modules (ePWM1,2,3,4,5,6,7) on the device.

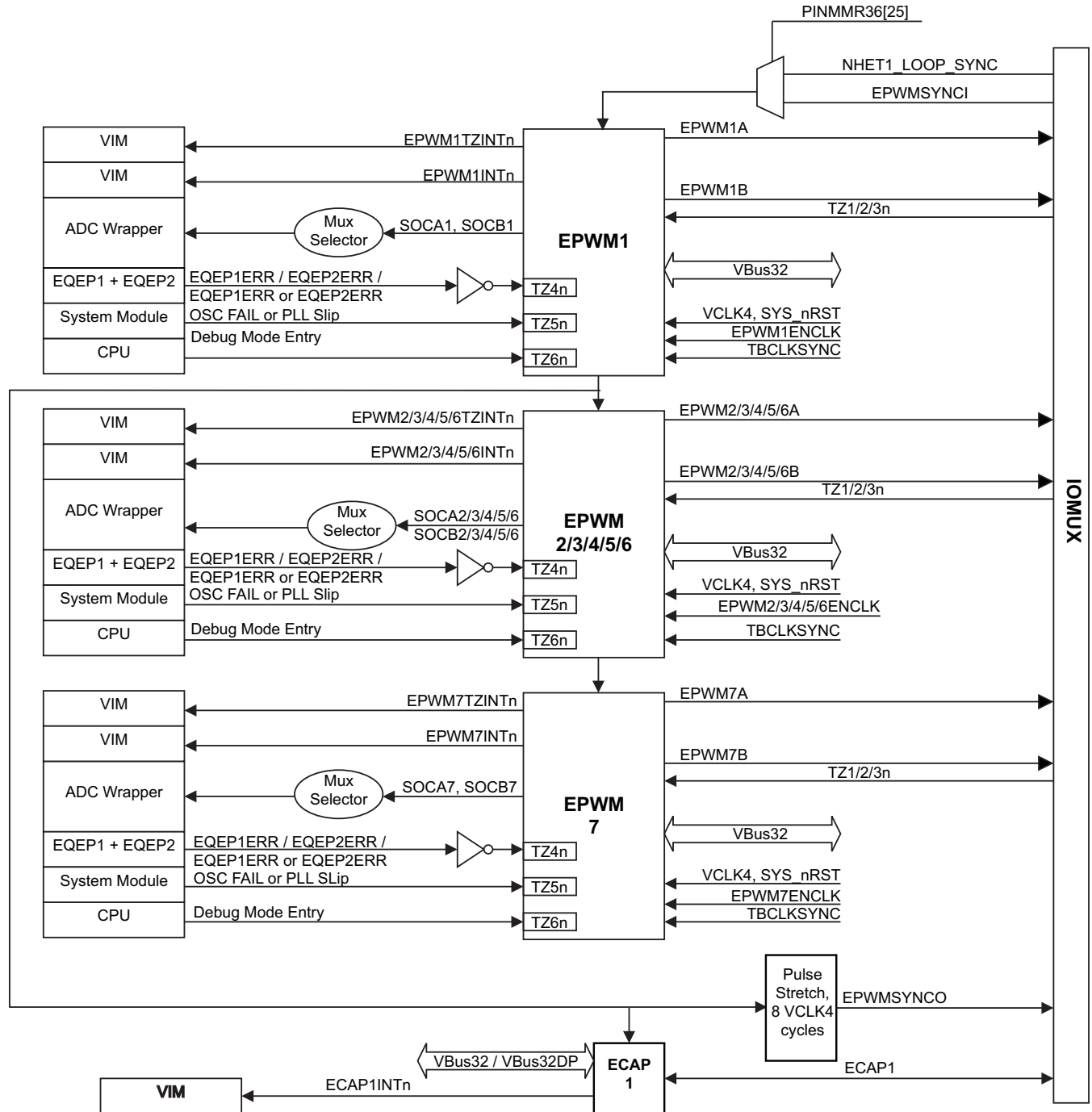


Figure 5-1. ePWMx Module Interconnections

### 5.1.1 ePWM Clcking and Reset

Each ePWM module has a clock enable (EPWMxENCLK). When SYS\_nRST is active low, the clock enables are ignored and the ePWM logic is clocked so that it can reset to a proper state. When SYS\_nRST goes in-active high, the state of clock enable is respected.

**Table 5-1. ePWMx Clock Enable Control**

ePWM Module Instance	Control Register to Enable Clock	Default Value
ePWM1	PINMMR37[8]	1
ePWM2	PINMMR37[16]	1
ePWM3	PINMMR37[24]	1
ePWM4	PINMMR38[0]	1
ePWM5	PINMMR38[8]	1
ePWM6	PINMMR38[16]	1
ePWM7	PINMMR38[24]	1

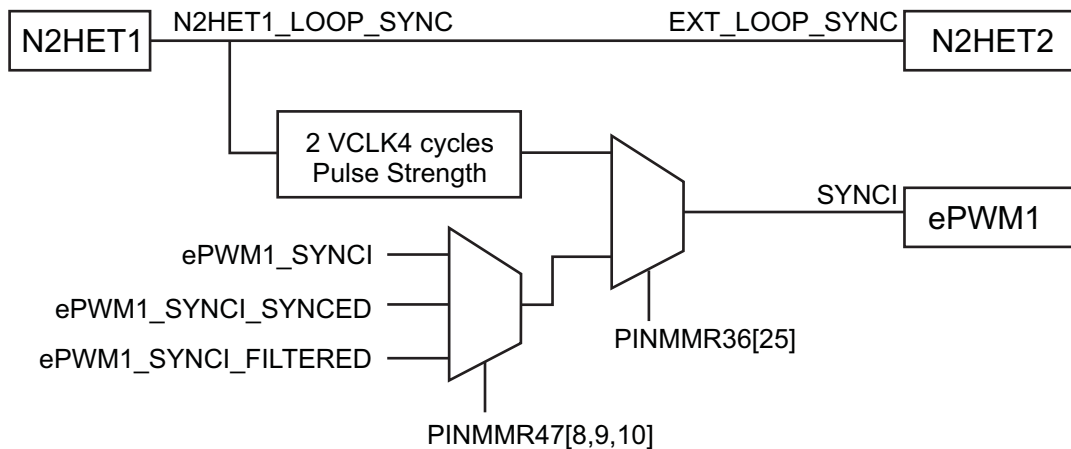
The default value of the control registers to enable the clocks to the ePWMx modules is 1. This means that the VCLK4 clock connections to the ePWMx modules are enabled by default. The application can choose to gate off the VCLK4 clock to any ePWMx module individually by clearing the respective control register bit.

### 5.1.2 Synchronization of ePWMx Time Base Counters

A time-base synchronization scheme connects all of the ePWM modules on a device. Each ePWM module has a synchronization input (EPWMxSYNCl) and a synchronization output (EPWMxSYNCO). The input synchronization for the first instance (ePWM1) comes from an external pin. [Figure 5-1](#) shows the synchronization connections for all the ePWMx modules. Each ePWM module can be configured to use or ignore the synchronization input. Refer to the ePWM chapter in the device Technical Reference Manual for more information.

### 5.1.3 Synchronizing all ePWM Modules to the N2HET1 Module Time Base

The connection between the N2HET1\_LOOP\_SYNC and SYNCl input of ePWM1 module is implemented as shown in [Figure 5-2](#).



**Figure 5-2. Synchronizing Time Bases Between N2HET1, N2HET2 and ePWMx Modules**

### 5.1.4 Phase-Locking the Time-Base Clocks of Multiple ePWM Modules

The TBCLKSYNC bit can be used to globally synchronize the time-base clocks of all enabled ePWM modules on a device. This bit is implemented as PINMMR37 register bit 1.

When TBCLKSYNC = 0, the time-base clock of all ePWM modules is stopped. This is the default condition.

When TBCLKSYNC = 1, all ePWM time-base clocks are started with the rising edge of TBCLK aligned.

For perfectly synchronized TBCLKs, the prescaler bits in the TBCTL register of each ePWM module must be set identically. The proper procedure for enabling the ePWM clocks is as follows:

1. Enable the individual ePWM module clocks (if disable) using the control registers shown in [Table 5-1](#).
2. Configure TBCLKSYNC = 0. This will stop the time-base clock within any enabled ePWM module.
3. Configure the prescaler values and desired ePWM modes.
4. Configure TBCLKSYNC = 1.

### 5.1.5 ePWM Synchronization with External Devices

The output sync from EPWM1 Module is also exported to a device output terminal so that multiple devices can be synchronized together. The signal pulse is stretched by eight VCLK4 cycles before being exported on the terminal as the EPWM1SYNCO signal.

### 5.1.6 ePWM Trip Zones

The ePWMx modules have six trip zone inputs each. These are active-low signals. The application can control the ePWMx module response to each of the trip zone input separately. The timing requirements from the assertion of the trip zone inputs to the actual response are specified in [Section 5.1.8](#).

#### 5.1.6.1 Trip Zones TZ1n, TZ2n, TZ3n

These three trip zone inputs are driven by external circuits and are connected to device-level inputs. These signals are either connected asynchronously to the ePWMx trip zone inputs, or double-synchronized with VCLK4, or double-synchronized and then filtered with a 6-cycle VCLK4-based counter before connecting to the ePWMx. By default, the trip zone inputs are asynchronously connected to the ePWMx modules.

**Table 5-2. Connection to ePWMx Modules for Device-Level Trip Zone Inputs**

Trip Zone Input	Control for Asynchronous Connection to ePWMx	Control for Double-Synchronized Connection to ePWMx	Control for Double-Synchronized and Filtered Connection to ePWMx
TZ1n	PINMMR46[16] = 1	PINMMR46[16] = 0 AND PINMMR46[17] = 1	PINMMR46[16] = 0 AND PINMMR46[17] = 0 AND PINMMR46[18] = 1
TZ2n	PINMMR46[24] = 1	PINMMR46[24] = 0 AND PINMMR46[25] = 1	PINMMR46[24] = 0 AND PINMMR46[25] = 0 AND PINMMR46[26] = 1
TZ3n	PINMMR47[0] = 1	PINMMR47[0] = 0 AND PINMMR47[1] = 1	PINMMR47[0] = 0 AND PINMMR47[1] = 0 AND PINMMR47[2] = 1

#### 5.1.6.2 Trip Zone TZ4n

This trip zone input is dedicated to eQEPx error indications. There are two eQEP modules on this device. Each eQEP module indicates a phase error by driving its EQEPxERR output High. The following control registers allow the application to configure the trip zone input (TZ4n) to each ePWMx module based on the application's requirements.

**Table 5-3. TZ4n Connections for ePWMx Modules**

ePWMx	Control for TZ4n = not(EQEP1ERR OR EQEP2ERR)	Control for TZ4n = not(EQEP1ERR)	Control for TZ4n = not(EQEP2ERR)
ePWM1	PINMMR41[0] = 1	PINMMR41[0] = 0 AND PINMMR41[1] = 1	PINMMR41[0] = 1 AND PINMMR41[1] = 0 AND PINMMR41[2] = 1
ePWM2	PINMMR41[8]	PINMMR41[8] = 0 AND PINMMR41[9] = 1	PINMMR41[8] = 1 AND PINMMR41[9] = 0 AND PINMMR41[10] = 1
ePWM3	PINMMR41[16]	PINMMR41[16] = 0 AND PINMMR41[17] = 1	PINMMR41[16] = 1 AND PINMMR41[17] = 0 AND PINMMR41[18] = 1
ePWM4	PINMMR41[24]	PINMMR41[24] = 0 AND PINMMR41[25] = 1	PINMMR41[24] = 1 AND PINMMR41[25] = 0 AND PINMMR41[26] = 1
ePWM5	PINMMR42[0]	PINMMR42[0] = 0 AND PINMMR42[1] = 1	PINMMR42[0] = 1 AND PINMMR42[1] = 0 AND PINMMR42[2] = 1
ePWM6	PINMMR42[8]	PINMMR42[8] = 0 AND PINMMR42[9] = 1	PINMMR42[8] = 1 AND PINMMR42[9] = 0 AND PINMMR42[10] = 1
ePWM7	PINMMR42[16]	PINMMR42[16] = 0 AND PINMMR42[17] = 1	PINMMR42[16] = 1 AND PINMMR42[17] = 0 AND PINMMR42[18] = 1

**5.1.6.3 Trip Zone TZ5n**

This trip zone input is dedicated to a clock failure on the device. That is, this trip zone input is asserted whenever an oscillator failure or a PLL slip is detected on the device. The application can use this trip zone input for each ePWMx module in order to prevent the external system from going out of control when the device clocks are not within expected range (system running at limp clock).

The oscillator failure and PLL slip signals used for this trip zone input are taken from the status flags in the system module. These are level signals are set until cleared by the application.

**5.1.6.4 Trip Zone TZ6n**

This trip zone input to the ePWMx modules is dedicated to a debug mode entry of the CPU. If enabled, the user can force the PWM outputs to a known state when the emulator stops the CPU. This prevents the external system from going out of control when the CPU is stopped.

**5.1.7 Triggering of ADC Start of Conversion Using ePWMx SOCA and SOCB Outputs**

A special scheme is implemented in order to select the actual signal used for triggering the start of conversion on the two ADCs on this device. This scheme is defined in [Section 5.4.2.3](#).

**5.1.8 Enhanced Translator-Pulse Width Modulator (ePWMx) Timings**

**Table 5-4. ePWMx Timing Requirements**

PARAMETER		TEST CONDITIONS	MIN	MAX	UNIT
t <sub>w</sub> (SYNCIN)	Synchronization input pulse width	Asynchronous	2 t <sub>c</sub> (VCLK4)		cycles
		Synchronous	2 t <sub>c</sub> (VCLK4)		cycles
		Synchronous, with input filter	2 t <sub>c</sub> (VCLK4) + filter width		cycles

**Table 5-5. ePWMx Switching Characteristics**

PARAMETER		TEST CONDITIONS	MIN	MAX	UNIT
t <sub>w</sub> (PWM)	Pulse duration, ePWMx output high or low		33.33		ns
t <sub>w</sub> (SYNCOUT)	Synchronization Output Pulse Width		8 t <sub>c</sub> (VCLK4)		cycles
t <sub>d</sub> (PWM)t <sub>za</sub>	Delay time, trip input active to PWM forced high, OR Delay time, trip input active to PWM forced low	no pin load		25	ns

**Table 5-5. ePWMx Switching Characteristics (continued)**

PARAMETER		TEST CONDITIONS	MIN	MAX	UNIT
$t_{d(TZ-PWM)HZ}$	Delay time, trip input active to PWM Hi-Z			20	ns

**Table 5-6. ePWMx Trip-Zone Timing Requirements**

PARAMETER		TEST CONDITIONS	MIN	MAX	UNIT
$t_{w(TZ)}$	Pulse duration, TZn input low	Asynchronous	$2 * T_{BePWMx}$		cycles
		Synchronous	$2 t_{c(VCLK4)}$		cycles
		Synchronous, with input filter	$2 t_{c(VCLK4)} + \text{filter width}$		cycles

## 5.2 Enhanced Capture Modules (eCAP)

Figure 5-3 shows how the eCAP modules are interconnected on this microcontroller.

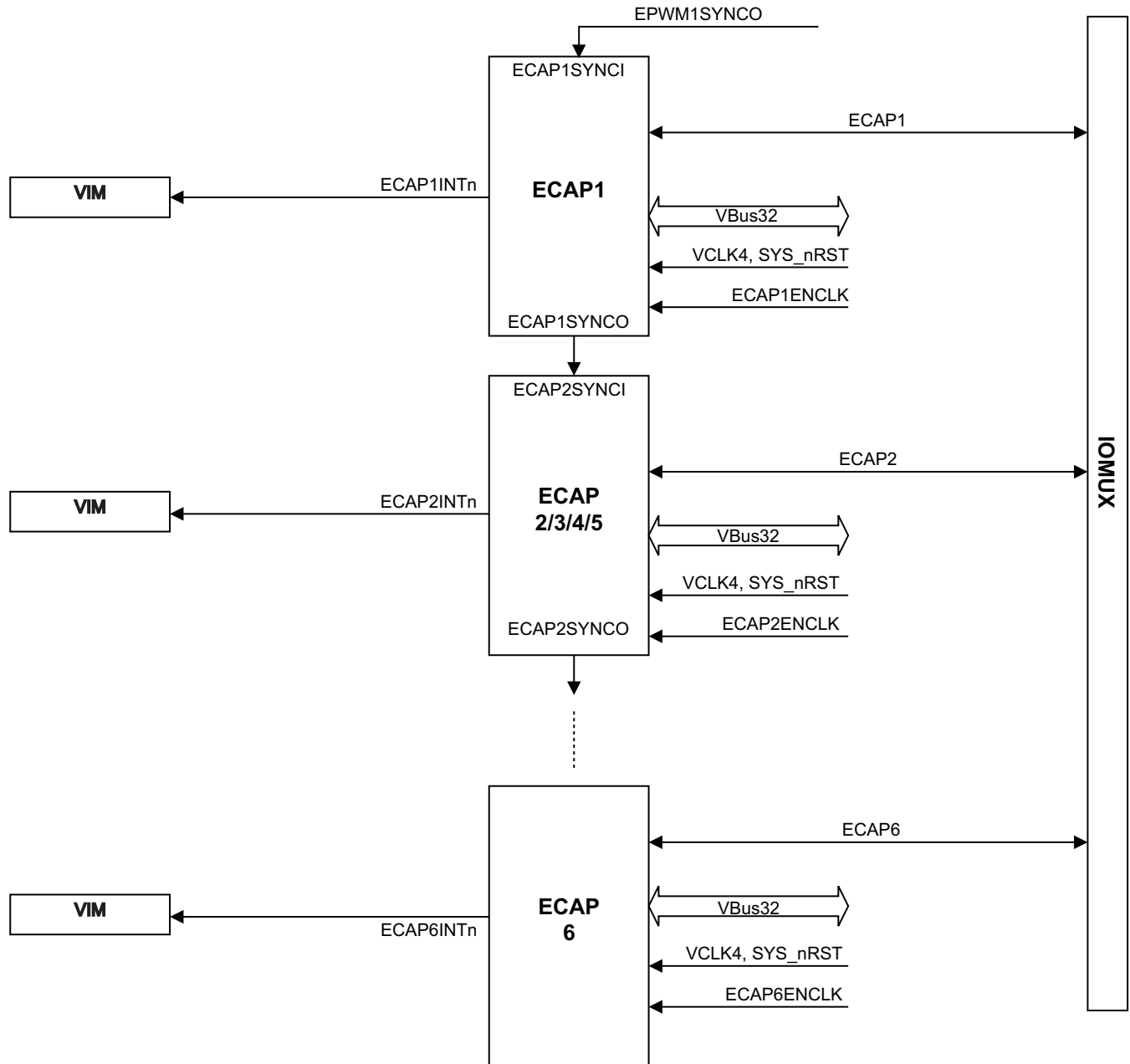


Figure 5-3. eCAP Module Connections

### 5.2.1 Clock Enable Control for eCAPx Modules

Each of the ECAPx modules have a clock enable (ECAPxENCLK). These signals need to be generated from a device-level control register. When SYS\_nRST is active low, the clock enables are ignored and the ECAPx logic is clocked so that it can reset to a proper state. When SYS\_nRST goes in-active high, the state of clock enable is respected.

**Table 5-7. eCAPx Clock Enable Control**

ePWM Module Instance	Control Register to Enable Clock	Default Value
eCAP1	PINMMR39[0]	1
eCAP2	PINMMR39[8]	1
eCAP3	PINMMR39[16]	1
eCAP4	PINMMR39[24]	1
eCAP5	PINMMR40[0]	1
eCAP6	PINMMR40[8]	1

The default value of the control registers to enable the clocks to the eCAPx modules is 1. This means that the VCLK4 clock connections to the eCAPx modules are enabled by default. The application can choose to gate off the VCLK4 clock to any eCAPx module individually by clearing the respective control register bit.

### 5.2.2 PWM Output Capability of eCAPx

When not used in capture mode, each of the eCAPx modules can be used as a single-channel PWM output. This is called the auxiliary PWM (APWM) mode of operation of the eCAP modules. Refer to the eCAP chapter of the device Technical Reference Manual for more information.

### 5.2.3 Input Connection to eCAPx Modules

The input connection to each of the eCAP modules can be selected between a double-VCLK4-synchronized input or a double-VCLK4-synchronized and filtered input, as shown in [Table 5-8](#).

**Table 5-8. Device-Level Input Connection to eCAPx Modules**

Input Signal	Control for Double-Synchronized Connection to eCAPx	Control for Double-Synchronized and Filtered Connection to eCAPx
eCAP1	PINMMR43[0] = 1	PINMMR43[0] = 0 AND PINMMR43[1] = 1
eCAP2	PINMMR43[8] = 1	PINMMR43[8] = 0 AND PINMMR43[9] = 1
eCAP3	PINMMR43[16] = 1	PINMMR43[16] = 0 AND PINMMR43[17] = 1
eCAP4	PINMMR43[24] = 1	PINMMR43[24] = 0 AND PINMMR43[25] = 1
eCAP5	PINMMR44[0] = 1	PINMMR44[0] = 0 AND PINMMR44[1] = 1
eCAP6	PINMMR44[8] = 1	PINMMR44[8] = 0 AND PINMMR44[9] = 1

### 5.2.4 Enhanced Capture Module (eCAP) Timings

**Table 5-9. eCAPx Timing Requirements**

PARAMETER		TEST CONDITIONS	MIN	MAX	UNIT
$t_{w(CAP)}$	Capture input pulse width	Synchronous	$2 t_{c(VCLK4)}$		cycles
		Synchronous, with input filter	$2 t_{c(VCLK4)} + \text{filter width}$		cycles

**Table 5-10. eCAPx Switching Characteristics**

PARAMETER		TEST CONDITIONS	MIN	MAX	UNIT
$t_{w(APWM)}$	Pulse duration, APWMx output high or low		20		ns

### 5.3 Enhanced Quadrature Encoder (eQEP)

Figure 5-4 shows the eQEP module interconnections on the device.

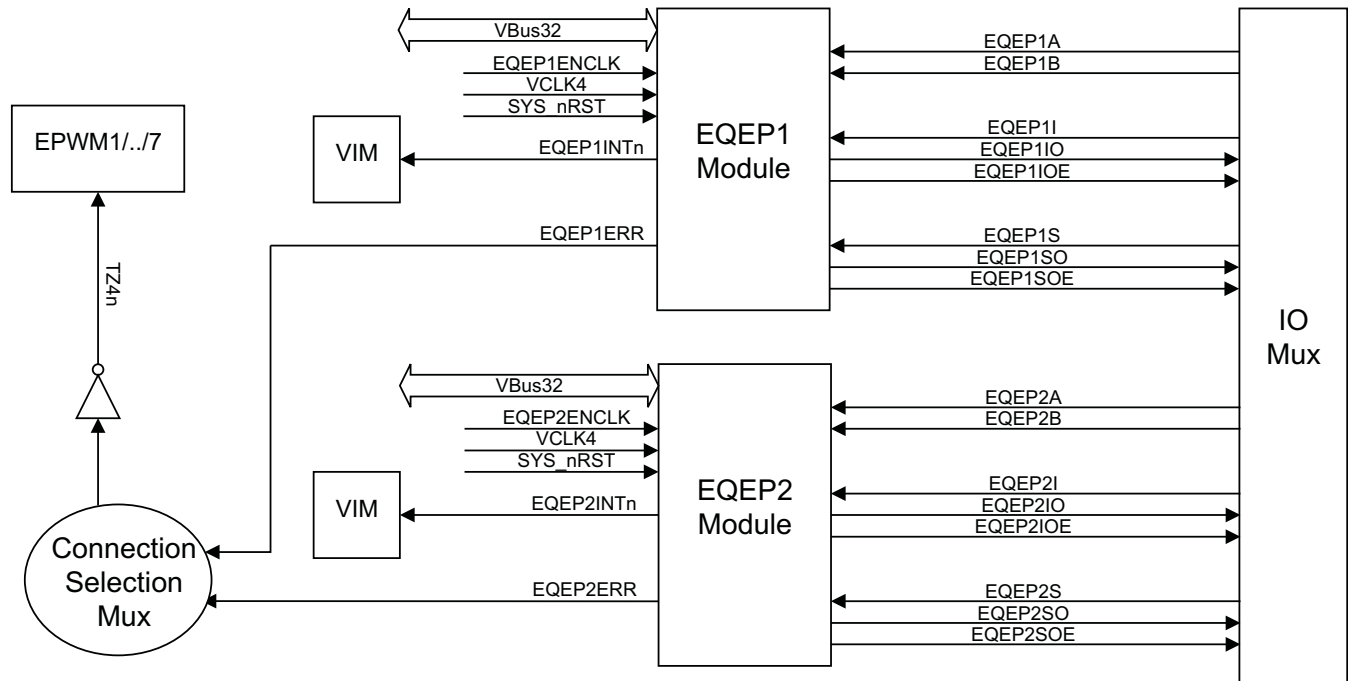


Figure 5-4. eQEP Module Interconnections

#### 5.3.1 Clock Enable Control for eQEPx Modules

Device-level control registers are implemented to generate the EQEPxENCLK signals. When SYS\_nRST is active low, the clock enables are ignored and the eQEPx logic is clocked so that it can reset to a proper state. When SYS\_nRST goes in-active high, the state of clock enable is respected.

Table 5-11. eQEPx Clock Enable Control

ePWM Module Instance	Control Register to Enable Clock	Default Value
eQEP1	PINMMR40[16]	1
eQEP2	PINMMR40[24]	1

The default value of the control registers to enable the clocks to the eQEPx modules is 1. This means that the VCLK4 clock connections to the eQEPx modules are enabled by default. The application can choose to gate off the VCLK4 clock to any eQEPx module individually by clearing the respective control register bit.

#### 5.3.2 Using eQEPx Phase Error to Trip ePWMx Outputs

The eQEP module sets the EQEPERR signal output whenever a phase error is detected in its inputs EQEPxA and EQEPxB. This error signal from both the eQEP modules is input to the connection selection multiplexor. This multiplexor is defined in Table 5-3. As shown in Figure 5-1, the output of this selection multiplexor is inverted and connected to the TZ4n trip-zone input of all EPWMx modules. This connection allows the application to define the response of each ePWMx module on a phase error indicated by the eQEP modules.



### 5.3.3 Input Connections to eQEPx Modules

The input connections to each of the eQEP modules can be selected between a double-VCLK4-synchronized input or a double-VCLK4-synchronized and filtered input, as shown in [Table 5-12](#).

**Table 5-12. Device-Level Input Connection to eCAPx Modules**

Input Signal	Control for Double-Synchronized Connection to eQEPx	Control for Double-Synchronized and Filtered Connection to eQEPx
eQEP1A	PINMMR44[16] = 1	PINMMR44[16] = 0 and PINMMR44[17] = 1
eQEP1B	PINMMR44[24] = 1	PINMMR44[24] = 0 and PINMMR44[25] = 1
eQEP1I	PINMMR45[0] = 1	PINMMR45[0] = 0 and PINMMR45[1] = 1
eQEP1S	PINMMR45[8] = 1	PINMMR45[8] = 0 and PINMMR45[9] = 1
eQEP2A	PINMMR45[16] = 1	PINMMR45[16] = 0 and PINMMR45[17] = 1
eQEP2B	PINMMR45[24] = 1	PINMMR45[24] = 0 and PINMMR45[25] = 1
eQEP2I	PINMMR46[0] = 1	PINMMR46[0] = 0 and PINMMR46[1] = 1
eQEP2S	PINMMR46[8] = 1	PINMMR46[8] = 0 and PINMMR46[9] = 1

### 5.3.4 Enhanced Quadrature Encoder Pulse (eQEPx) Timing

**Table 5-13. eQEPx Timing Requirements**

PARAMETER		TEST CONDITIONS	MIN	MAX	UNIT
$t_{w(QEPP)}$	QEP input period	Synchronous	$2 t_{c(VCLK4)}$		cycles
		Synchronous, with input filter	$2 t_{c(VCLK4)} + \text{filter width}$		cycles
$t_{w(INDEXH)}$	QEP Index Input High Time	Synchronous	$2 t_{c(VCLK4)}$		cycles
		Synchronous, with input filter	$2 t_{c(VCLK4)} + \text{filter width}$		cycles
$t_{w(INDEXL)}$	QEP Index Input Low Time	Synchronous	$2 t_{c(VCLK4)}$		cycles
		Synchronous, with input filter	$2 t_{c(VCLK4)} + \text{filter width}$		cycles
$t_{w(STROBH)}$	QEP Strobe Input High Time	Synchronous	$2 t_{c(VCLK4)}$		cycles
		Synchronous, with input filter	$2 t_{c(VCLK4)} + \text{filter width}$		cycles
$t_{w(STROBL)}$	QEP Strobe Input Low Time	Synchronous	$2 t_{c(VCLK4)}$		cycles
		Synchronous, with input filter	$2 t_{c(VCLK4)} + \text{filter width}$		cycles

**Table 5-14. eQEPx Switching Characteristics**

PARAMETER		MIN	MAX	UNIT
$t_{d(CNTR)xin}$	Delay time, external clock to counter increment		$4 t_{c(VCLK4)}$	cycles
$t_{d(PCS-OUT)QEP}$	Delay time, QEP input edge to position compare sync output		$6 t_{c(VCLK4)}$	cycles

## 5.4 Multi-Buffered 12bit Analog-to-Digital Converter

The multibuffered A-to-D converter (MibADC) has a separate power bus for its analog circuitry that enhances the A-to-D performance by preventing digital switching noise on the logic circuitry which could be present on  $V_{SS}$  and  $V_{CC}$  from coupling into the A-to-D analog stage. All A-to-D specifications are given with respect to  $AD_{REFLO}$  unless otherwise noted.

**Table 5-15. MibADC Overview**

Description	Value
Resolution	12 bits
Monotonic	Assured
Output conversion code	00h to 3FFh [00 for $V_{AI} \leq AD_{REFLO}$ ; 3FFh for $V_{AI} \geq AD_{REFHI}$ ]

### 5.4.1 Features

- 12-bit resolution
- $AD_{REFHI}$  and  $AD_{REFLO}$  pins (high and low reference voltages)
- Total Sample/Hold/Convert time: 600ns Minimum at 30MHz ADCLK
- One memory region per conversion group is available (event, group 1, group 2)
- Allocation of channels to conversion groups is completely programmable
- Supports flexible channel conversion order
- Memory regions are serviced either by interrupt or by DMA
- Programmable interrupt threshold counter is available for each group
- Programmable magnitude threshold interrupt for each group for any one channel
- Option to read either 8-bit, 10-bit or 12-bit values from memory regions
- Single or continuous conversion modes
- Embedded self-test
- Embedded calibration logic
- Enhanced power-down mode
  - Optional feature to automatically power down ADC core when no conversion is in progress
- External event pin ( $ADxEVT$ ) programmable as general-purpose I/O

### 5.4.2 Event Trigger Options

The ADC module supports 3 conversion groups: Event Group, Group1 and Group2. Each of these 3 groups can be configured to be hardware event-triggered. In that case, the application can select from among 8 event sources to be the trigger for a group's conversions.

#### 5.4.2.1 MIBADC1 Event Trigger Hookup

**Table 5-16. MIBADC1 Event Trigger Hookup**

Group Source Select, G1SRC, G2SRC or EVSRC	Event #	Trigger Event Signal				
		PINMMR30[0] = 1 (default)	PINMMR30[0] = 0 and PINMMR30[1] = 1			
			Option A	Control for Option A	Option B	Control for Option B
000	1	AD1EVT	AD1EVT	—	AD1EVT	—
001	2	N2HET1[8]	N2HET2[5]	PINMMR30[8] = 1	ePWM_B	PINMMR30[8] = 0 and PINMMR30[9] = 1
010	3	N2HET1[10]	N2HET1[27]	—	N2HET1[27]	—

**Table 5-16. MIBADC1 Event Trigger Hookup (continued)**

011	4	RTI Compare 0 Interrupt	RTI Compare 0 Interrupt	PINMMR30[16] = 1	ePWM_A1	PINMMR30[16] = 0 and PINMMR30[17] = 1
100	5	N2HET1[12]	N2HET1[17]	—	N2HET1[17]	—
101	6	N2HET1[14]	N2HET1[19]	PINMMR30[24] = 1	N2HET2[1]	PINMMR30[24] = 0 and PINMMR30[25] = 1
110	7	GIOB[0]	N2HET1[11]	PINMMR31[0] = 1	ePWM_A2	PINMMR31[0] = 0 and PINMMR31[1] = 1
111	8	GIOB[1]	N2HET2[13]	PINMMR31[8] = 1	ePWM_AB	PINMMR31[8] = 0 and PINMMR31[9] = 1

**NOTE**

If ADEVT, N2HET1 or GIOB is used as a trigger source, the connection to the MibADC1 module trigger input is made from the output side of the input buffer. This way, a trigger condition can be generated either by configuring the function as output onto the pad (via the mux control), or by driving the function from an external trigger source as input. If the mux control module is used to select different functionality instead of the ADEVT, N2HET1[x] or GIOB[x] signals, then care must be taken to disable these signals from triggering conversions; there is no multiplexing on the input connections.

If N2HET2[5], ePWM\_B, N2HET1[17], N2HET1[19], N2HET2[1], N2HET1[11], ePWM\_S2, N2HET2[13] or ePWM\_AB is used to trigger the ADC the connection to the ADC is made directly from the N2HETx or ePWM module outputs. As a result, the ADC can be triggered without having to enable the signal from being output on a device terminal.

**NOTE**

For the RTI compare 0 interrupt source, the connection is made directly from the output of the RTI module. That is, the interrupt condition can be used as a trigger source even if the actual interrupt is not signaled to the CPU.

**5.4.2.2 MIBADC2 Event Trigger Hookup**
**Table 5-17. MIBADC2 Event Trigger Hookup**

Group Source Select, G1SRC, G2SRC or EVSRC	Event #	Trigger Event Signal				
		PINMMR30[0] = 1 (default)	PINMMR30[0] = 0 and PINMMR30[1] = 1			
			Option A	Control for Option A	Option B	Control for Option B
000	1	AD2EVT	AD1EVT	—	AD1EVT	—
001	2	N2HET1[8]	N2HET2[5]	PINMMR31[16] = 1	ePWM_B	PINMMR31[16] = 0 and PINMMR31[17] = 1
010	3	N2HET1[10]	N2HET1[27]	—	N2HET1[27]	—
011	4	RTI Compare 0 Interrupt	RTI Compare 0 Interrupt	PINMMR31[24] = 1	ePWM_A1	PINMMR31[24] = 0 and PINMMR31[25] = 1
100	5	N2HET1[12]	N2HET1[17]	—	N2HET1[17]	—
101	6	N2HET1[14]	N2HET1[19]	PINMMR32[0] = 1	N2HET2[1]	PINMMR32[0] = 0 and PINMMR32[1] = 1

**Table 5-17. MIBADC2 Event Trigger Hookup (continued)**

110	7	GIOB[0]	N2HET1[11]	PINMMR32[8] = 1	ePWM_A2	PINMMR32[8] = 0 and PINMMR32[9] = 1
111	8	GIOB[1]	N2HET2[13]	PINMMR32[16] = 1	ePWM_AB	PINMMR32[16] = 0 and PINMMR32[17] = 1

**NOTE**

If AD2EVT, N2HET1 or GIOB is used as a trigger source, the connection to the MibADC2 module trigger input is made from the output side of the input buffer. This way, a trigger condition can be generated either by configuring the function as output onto the pad (via the mux control), or by driving the function from an external trigger source as input. If the mux control module is used to select different functionality instead of the AD2EVT, N2HET1[x] or GIOB[x] signals, then care must be taken to disable these signals from triggering conversions; there is no multiplexing on the input connections.

If N2HET2[5], ePWM\_B, N2HET1[17], N2HET1[19], N2HET2[1], N2HET1[11], ePWM\_S2, N2HET2[13] or ePWM\_AB is used to trigger the ADC the connection to the ADC is made directly from the N2HETx or ePWM module outputs. As a result, the ADC can be triggered without having to enable the signal from being output on a device terminal.

**NOTE**

For the RTI compare 0 interrupt source, the connection is made directly from the output of the RTI module. That is, the interrupt condition can be used as a trigger source even if the actual interrupt is not signaled to the CPU.

**5.4.2.3 Controlling ADC1 and ADC2 Event Trigger Options Using SOC Output from ePWM Modules**

As shown in [Figure 5-5](#), the ePWMxSOCA and ePWMxSOCB outputs from each ePWM module are used to generate 4 signals – ePWM\_B, ePWM\_A1, ePWM\_A2 and ePWM\_AB, that are available to trigger the ADC based on the application requirement.

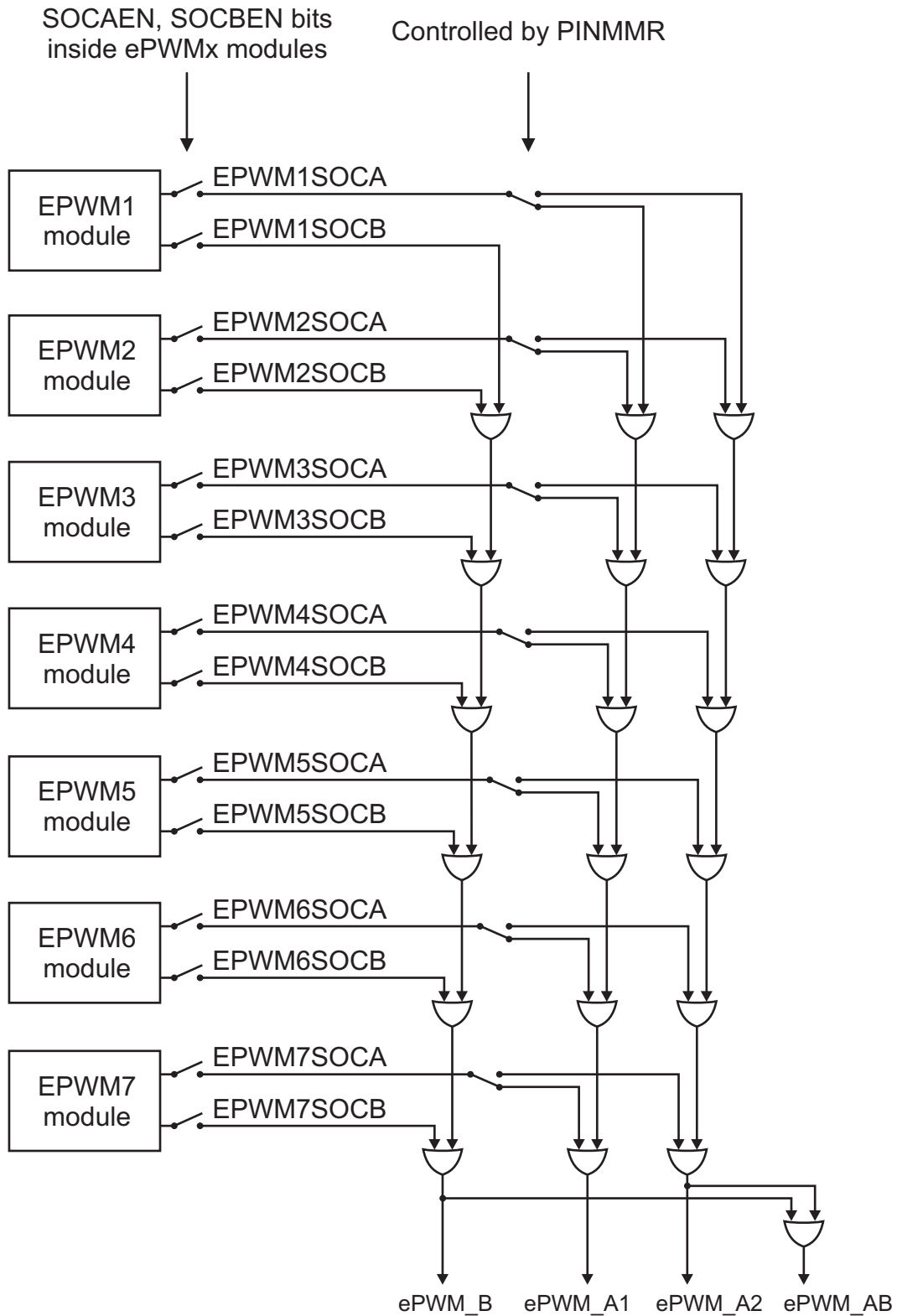


Figure 5-5. ADC Trigger Source Generation from ePWMx

PRODUCT PREVIEW

**Table 5-18. Control Bit to SOC Output**

Control Bit	SOC Output
PINMMR35[0]	SOC1A_SEL
PINMMR35[8]	SOC2A_SEL
PINMMR35[16]	SOC3A_SEL
PINMMR35[24]	SOC4A_SEL
PINMMR36[0]	SOC5A_SEL
PINMMR36[8]	SOC6A_SEL
PINMMR36[16]	SOC7A_SEL

The SOCA output from each ePWM module is connected to a "switch" shown in [Figure 5-5](#).

The logic equations for the 4 outputs from the combinational logic shown in [Figure 5-5](#) are:

$$ePWM_{B} = SOC1B \text{ or } SOC2B \text{ or } SOC3B \text{ or } SOC4B \text{ or } SOC5B \text{ or } SOC6B \text{ or } SOC7B$$

$$ePWM_{A1} = [ SOC1A \text{ and not}(SOC1A\_SEL) ] \text{ or } [ SOC2A \text{ and not}(SOC2A\_SEL) ] \text{ or } [ SOC3A \text{ and not}(SOC3A\_SEL) ] \text{ or } [ SOC4A \text{ and not}(SOC4A\_SEL) ] \text{ or } [ SOC5A \text{ and not}(SOC5A\_SEL) ] \text{ or } [ SOC6A \text{ and not}(SOC6A\_SEL) ] \text{ or } [ SOC7A \text{ and not}(SOC7A\_SEL) ]$$

$$ePWM_{A2} = [ SOC1A \text{ and } SOC1A\_SEL ] \text{ or } [ SOC2A \text{ and } SOC2A\_SEL ] \text{ or } [ SOC3A \text{ and } SOC3A\_SEL ] \text{ or } [ SOC4A \text{ and } SOC4A\_SEL ] \text{ or } [ SOC5A \text{ and } SOC5A\_SEL ] \text{ or } [ SOC6A \text{ and } SOC6A\_SEL ] \text{ or } [ SOC7A \text{ and } SOC7A\_SEL ]$$

$$ePWM_{AB} = ePWM\_B \text{ or } ePWM\_A2$$

### 5.4.3 ADC Electrical and Timing Specifications

Table 5-19. MibADC Recommended Operating Conditions

Parameter		MIN	MAX	Unit
AD <sub>REFHI</sub>	A-to-D high-voltage reference source	AD <sub>REFLO</sub>	V <sub>CCAD</sub>	V
AD <sub>REFLO</sub>	A-to-D low-voltage reference source	V <sub>SSAD</sub>	AD <sub>REFHI</sub>	V
V <sub>AI</sub>	Analog input voltage	AD <sub>REFLO</sub>	AD <sub>REFHI</sub>	V
I <sub>AIC</sub>	Analog input clamp current (V <sub>AI</sub> < V <sub>SSAD</sub> – 0.3 or V <sub>AI</sub> > V <sub>CCAD</sub> + 0.3)	- 2	2	mA

Table 5-20. MibADC Electrical Characteristics Over Full Ranges of Recommended Operating Conditions

Parameter	Description/Conditions	MIN	MAX	Unit
R <sub>mux</sub>	Analog input mux on-resistance	See Figure 5-6	250	Ω
R <sub>samp</sub>	ADC sample switch on-resistance	See Figure 5-6	250	Ω
C <sub>mux</sub>	Input mux capacitance	See Figure 5-6	16	pF
C <sub>samp</sub>	ADC sample capacitance	See Figure 5-6	13	pF
I <sub>AIL</sub>	Analog off-state input leakage current, for V <sub>CCAD</sub> = 3.6V maximum	V <sub>SSAD</sub> < V <sub>IN</sub> < V <sub>SSAD</sub> + 100mV	300	nA
		V <sub>SSAD</sub> + 100mV < V <sub>IN</sub> < V <sub>CCAD</sub> - 200mV	200	nA
		V <sub>CCAD</sub> - 200mV < V <sub>IN</sub> < V <sub>CCAD</sub>	500	nA
I <sub>AIL</sub>	Analog off-state input leakage current, for V <sub>CCAD</sub> = 5.5V maximum	V <sub>IN</sub> > V <sub>SSAD</sub> , V <sub>IN</sub> < V <sub>SSAD</sub> + 300mV	1	μA
		V <sub>IN</sub> > V <sub>SSAD</sub> + 300mV, V <sub>IN</sub> < V <sub>CCAD</sub> - 300mV	250	nA
		V <sub>IN</sub> > V <sub>CCAD</sub> - 300mV, V <sub>IN</sub> < V <sub>CCAD</sub>	1	μA
I <sub>ADREFHI</sub>	AD <sub>REFHI</sub> input current	AD <sub>REFHI</sub> = V <sub>CCAD</sub> , AD <sub>REFLO</sub> = V <sub>SSAD</sub>	3	mA
I <sub>CCAD</sub>	Static supply current	Normal operating mode	15	mA
		ADC core in power down mode	5	μA

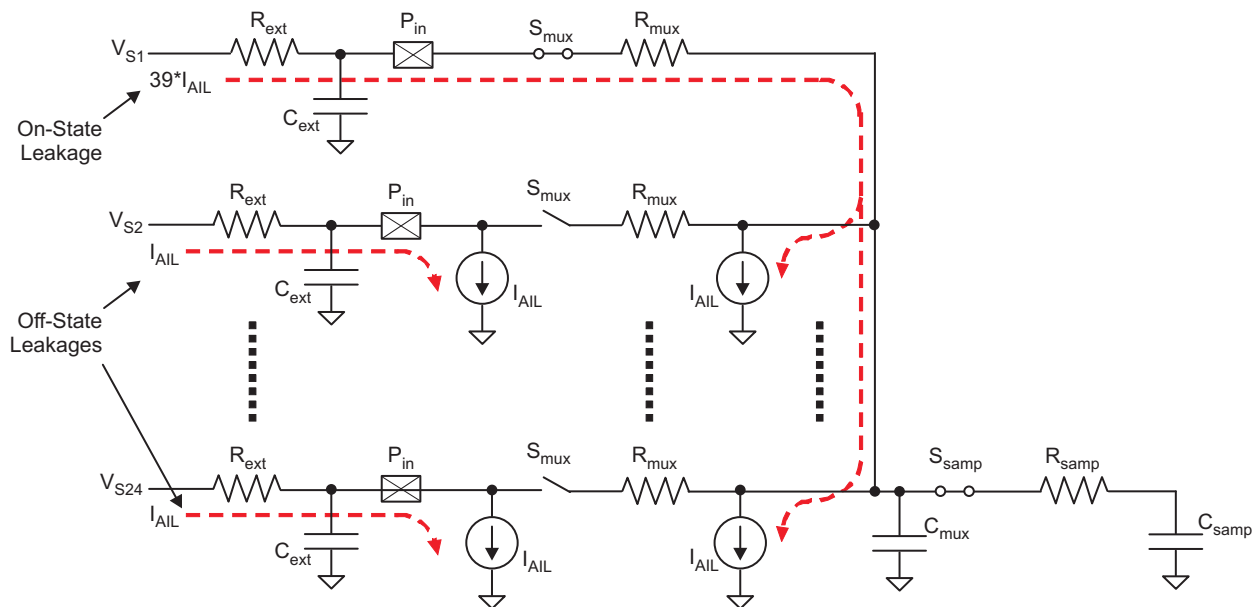


Figure 5-6. MibADC Input Equivalent Circuit

PRODUCT PREVIEW

**Table 5-21. MibADC Timing Specifications**

Parameter		MIN	NOM	MAX	Unit
$t_{c(ADCLK)}^{(1)}$	Cycle time, MibADC clock	0.033			$\mu\text{s}$
$t_{d(SH)}^{(2)}$	Delay time, sample and hold time	0.2			$\mu\text{s}$
<b>12-bit mode</b>					
$t_{d\oplus}$	Delay time, conversion time	0.4			$\mu\text{s}$
$t_{d(SHC)}^{(3)}$	Delay time, total sample/hold and conversion time	0.6			$\mu\text{s}$
<b>10-bit mode</b>					
$t_{d\oplus}$	Delay time, conversion time	0.33			$\mu\text{s}$
$t_{d(SHC)}^{(3)}$	Delay time, total sample/hold and conversion time	0.53			$\mu\text{s}$

- (1) The MibADC clock is the ADCLK, generated by dividing down the VCLK by a prescale factor defined by the ADCLOCKCR register bits 4:0.
- (2) The sample and hold time for the ADC conversions is defined by the ADCLK frequency and the AD<GP>SAMP register for each conversion group. The sample time needs to be determined by accounting for the external impedance connected to the input channel as well as the ADC's internal impedance.
- (3) This is the minimum sample/hold and conversion time that can be achieved. These parameters are dependent on many factors, e.g the prescale settings.

PRODUCT PREVIEW



**Table 5-22. MibADC Operating Characteristics Over Full Ranges of Recommended Operating Conditions<sup>(1)(2)</sup>**

Parameter		Description/Conditions		MIN	Type	MAX	Unit
CR	Conversion range over which specified accuracy is maintained	AD <sub>REFHI</sub> - AD <sub>REFLO</sub>		3		5.5	V
Z <sub>SET</sub>	Zero Scale Offset	Difference between the first ideal transition (from code 000h to 001h) and the actual transition	10-bit mode			1	LSB
			12-bit mode			2	LSB
F <sub>SET</sub>	Full Scale Offset	Difference between the range of the measured code transitions (from first to last) and the range of the ideal code transitions	10-bit mode			2	LSB
			12-bit mode			3	LSB
E <sub>DNL</sub>	Differential nonlinearity error	Difference between the actual step width and the ideal value. (See Figure 76)	10-bit mode			± 1.5	LSB
			12-bit mode			± 2	LSB
E <sub>INL</sub>	Integral nonlinearity error	Maximum deviation from the best straight line through the MibADC. MibADC transfer characteristics, excluding the quantization error.	10-bit mode			± 2	LSB
			12-bit mode			± 2	LSB
E <sub>TOT</sub>	Total unadjusted error (after calibration)	Maximum value of the difference between an analog value and the ideal midstep value.	10-bit mode			± 2	LSB
			12-bit mode			± 4	LSB

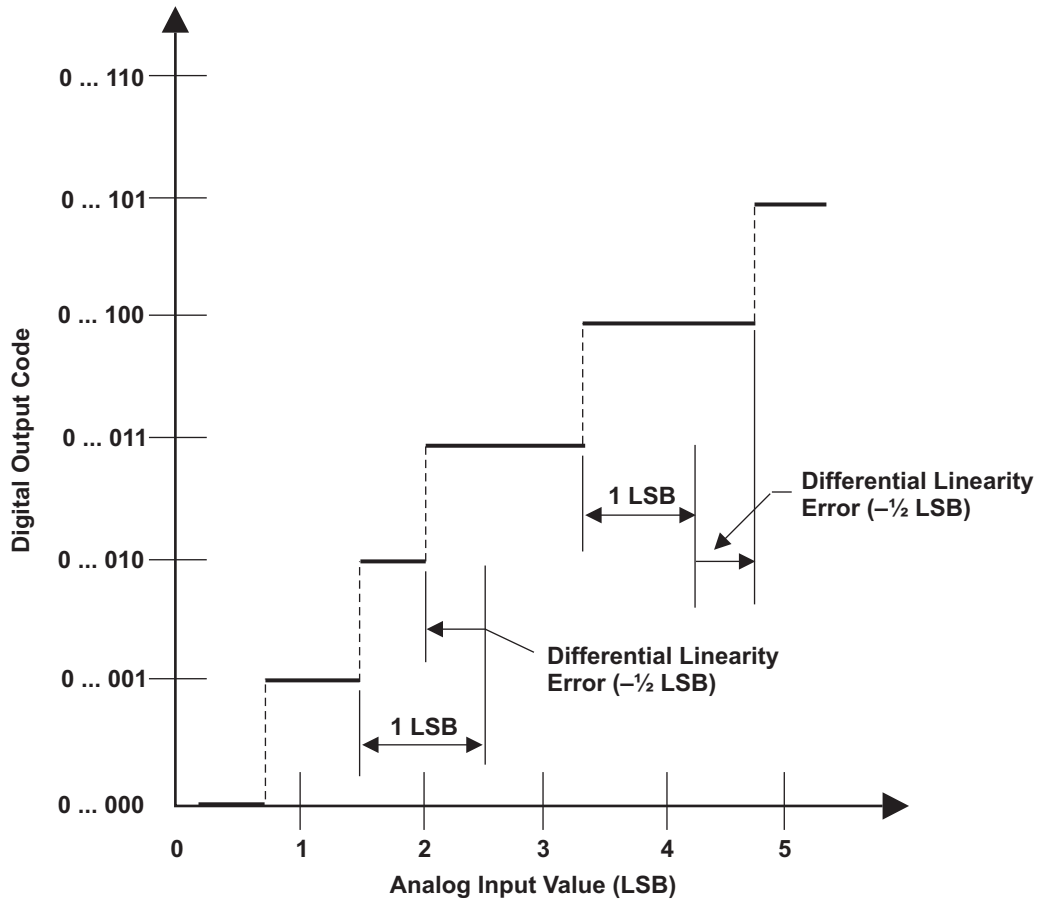
(1) 1 LSB = (AD<sub>REFHI</sub> - AD<sub>REFLO</sub>) / 2<sup>12</sup> for 12-bit mode

(2) 1 LSB = (AD<sub>REFHI</sub> - AD<sub>REFLO</sub>) / 2<sup>10</sup> for 10-bit mode

## 5.4.4 Performance (Accuracy) Specifications

### 5.4.4.1 MibADC Nonlinearity Errors

The differential nonlinearity error shown in [Figure 5-7](#) (sometimes referred to as differential linearity) is the difference between an actual step width and the ideal value of 1 LSB.



NOTE A:  $1 \text{ LSB} = (\text{AD}_{\text{REFHI}} - \text{AD}_{\text{REFLO}}) / 2^{12}$

**Figure 5-7. Differential Nonlinearity (DNL) Error**

The integral nonlinearity error shown in [Figure 5-8](#) (sometimes referred to as linearity error) is the deviation of the values on the actual transfer function from a straight line.

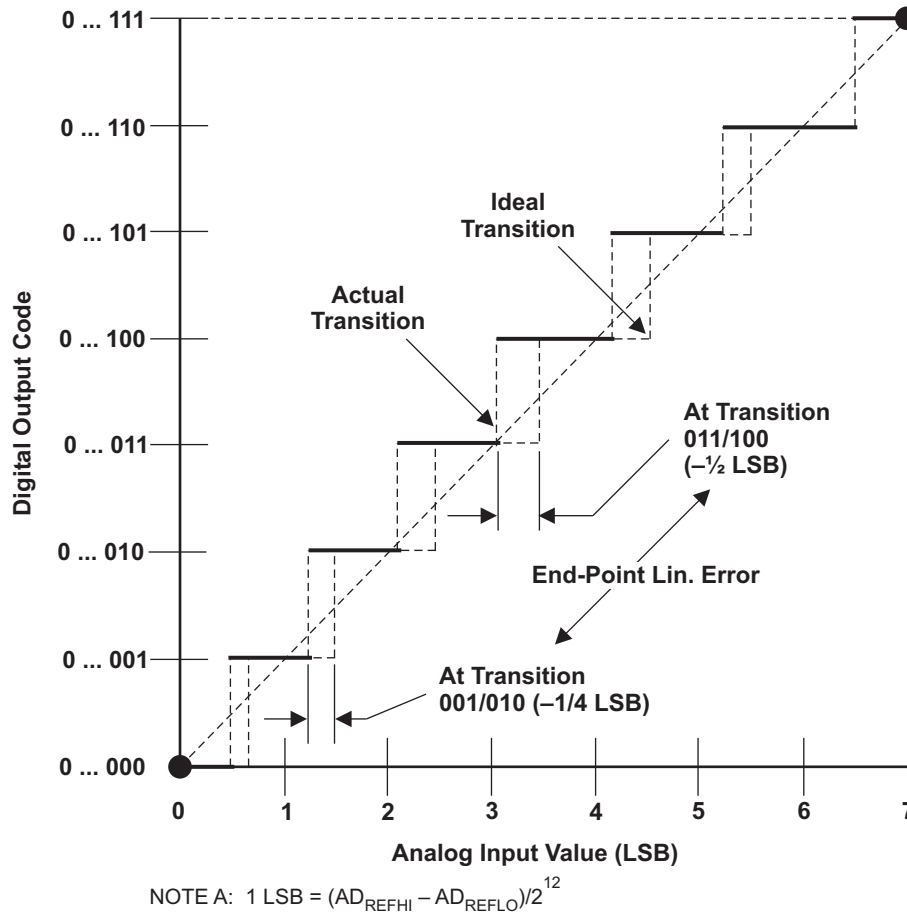


Figure 5-8. Integral Nonlinearity (INL) Error

PRODUCT PREVIEW

### 5.4.4.2 MibADC Total Error

The absolute accuracy or total error of an MibADC as shown in Figure 5-9 is the maximum value of the difference between an analog value and the ideal midstep value.

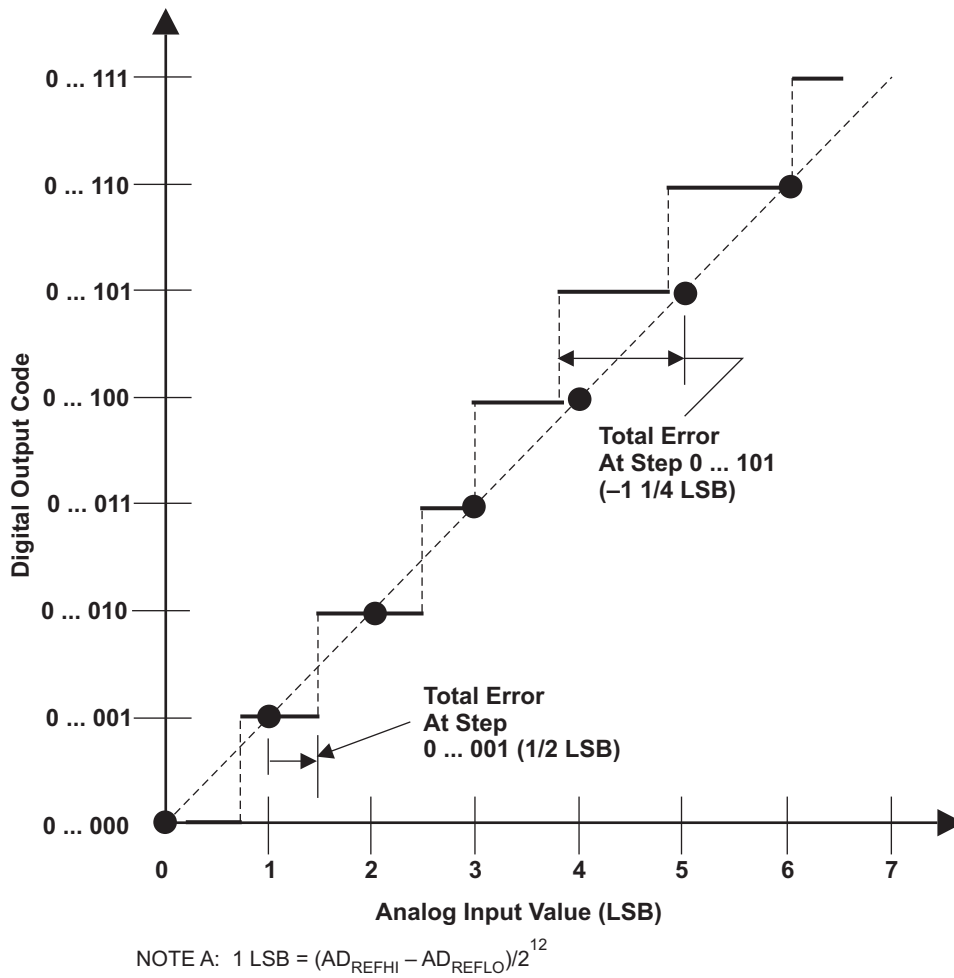


Figure 5-9. Absolute Accuracy (Total) Error

PRODUCT PREVIEW

## 5.5 General-Purpose Input/Output

The GPIO module on this device supports two ports, GIOA and GIOB. The I/O pins are bidirectional and bit-programmable. Both GIOA and GIOB support external interrupt capability.

### 5.5.1 Features

The GPIO module has the following features:

- Each IO pin can be configured as:
  - Input
  - Output
  - Open Drain
- The interrupts have the following characteristics:
  - Programmable interrupt detection either on both edges or on a single edge (set in GIOINTDET)
  - Programmable edge-detection polarity, either rising or falling edge (set in GIOPOL register)
  - Individual interrupt flags (set in GIOFLG register)
  - Individual interrupt enables, set and cleared through GIOENASET and GIOENACLR registers respectively
  - Programmable interrupt priority, set through GIOLVLSET and GIOLVLCLR registers
- Internal pullup/pulldown allows unused I/O pins to be left unconnected

For information on input and output timings see [Section 3.8](#) and [Section 3.9](#)

## 5.6 Enhanced High-End Timer (N2HET)

The N2HET is an advanced intelligent timer that provides sophisticated timing functions for real-time applications. The timer is software-controlled, using a reduced instruction set, with a specialized timer micromachine and an attached I/O port. The N2HET can be used for pulse width modulated outputs, capture or compare inputs, or general-purpose I/O. It is especially well suited for applications requiring multiple sensor information and drive actuators with complex and accurate time pulses.

### 5.6.1 Features

The N2HET module has the following features:

- Programmable timer for input and output timing functions
- Reduced instruction set (30 instructions) for dedicated time and angle functions
- 160 words of instruction RAM protected by parity
- User defined number of 25-bit virtual counters for timer, event counters and angle counters
- 7-bit hardware counters for each pin allow up to 32-bit resolution in conjunction with the 25-bit virtual counters
- Up to 32 pins usable for input signal measurements or output signal generation
- Programmable suppression filter for each input pin with adjustable limiting frequency
- Low CPU overhead and interrupt load
- Efficient data transfer to or from the CPU memory with dedicated High-End-Timer Transfer Unit (HTU) or DMA
- Diagnostic capabilities with different loopback mechanisms and pin status readback functionality

### 5.6.2 N2HET RAM Organization

The timer RAM uses 4 RAM banks, where each bank has two port access capability. This means that one RAM address may be written while another address is read. The RAM words are 96-bits wide, which are split into three 32-bit fields (program, control, and data).

### 5.6.3 Input Timing Specifications

The N2HET instructions PCNT and WCAP impose some timing constraints on the input signals.

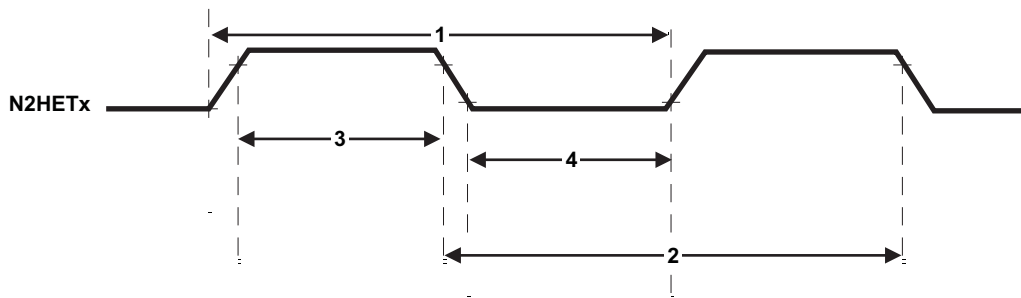


Figure 5-10. N2HET Input Capture Timings

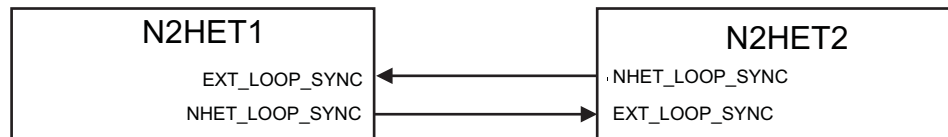
**Table 5-23. Dynamic Characteristics for the N2HET Input Capture Functionality**

	PARAMETER	MIN	MAX	UNIT
1	Input signal period, PCNT or WCAP for rising edge to rising edge	(HRP) (LRP) $t_{C(VCLK2)} + 2$	$2^{25}$ (HRP) (LRP) $t_{C(VCLK2)} - 2$	ns
2	Input signal period, PCNT or WCAP for falling edge to falling edge	(HRP) (LRP) $t_{C(VCLK2)} + 2$	$2^{25}$ (HRP) (LRP) $t_{C(VCLK2)} - 2$	ns
3	Input signal high phase, PCNT or WCAP for rising edge to falling edge	2 (HRP) $t_{C(VCLK2)} + 2$	$2^{25}$ (HRP) (LRP) $t_{C(VCLK2)} - 2$	ns
4	Input signal low phase, PCNT or WCAP for falling edge to rising edge	2 (HRP) $t_{C(VCLK2)} + 2$	$2^{25}$ (HRP) (LRP) $t_{C(VCLK2)} - 2$	ns

### 5.6.4 N2HET1-N2HET2 Synchronization

In some applications the N2HET resolutions must be synchronized. Some other applications require a single time base to be used for all PWM outputs and input timing captures.

The N2HET provides such a synchronization mechanism. The Clk\_master/slave (HETGCR.16) configures the N2HET in master or slave mode (default is slave mode). A N2HET in master mode provides a signal to synchronize the prescalers of the slave N2HET. The slave N2HET synchronizes its loop resolution to the loop resolution signal sent by the master. The slave does not require this signal after it receives the first synchronization signal. However, anytime the slave receives the re-synchronization signal from the master, the slave must synchronize itself again..

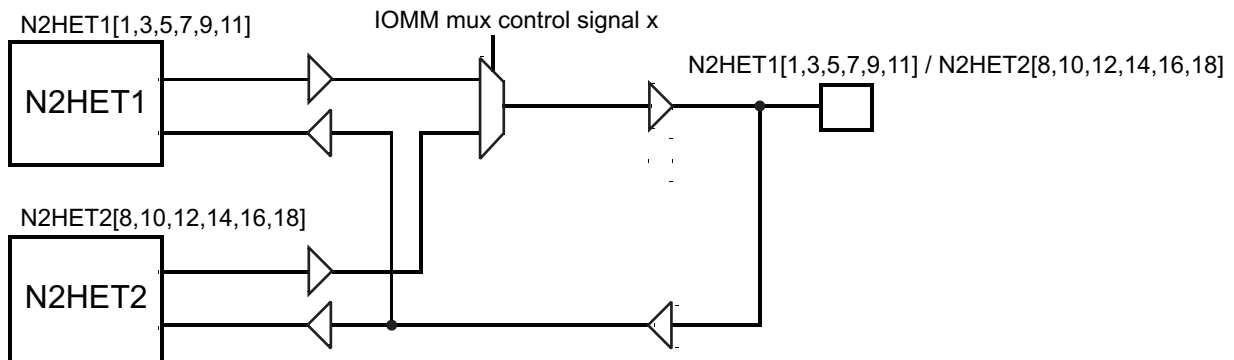


**Figure 5-11. N2HET1 – N2HET2 Synchronization Hookup**

### 5.6.5 N2HET Checking

#### 5.6.5.1 Internal Monitoring

To assure correctness of the high-end timer operation and output signals, the two N2HET modules can be used to monitor each other's signals as shown in Figure 5-12. The direction of the monitoring is controlled by the I/O multiplexing control module.



**Figure 5-12. N2HET Monitoring**

#### 5.6.5.2 Output Monitoring using Dual Clock Comparator (DCC)

N2HET1[31] is connected as a clock source for counter 1 in DCC1. This allows the application to measure the frequency of the pulse-width modulated (PWM) signal on N2HET1[31].

Similarly, N2HET2[0] is connected as a clock source for counter 1 in DCC2. This allows the application to measure the frequency of the pulse-width modulated (PWM) signal on N2HET2[0].

Both N2HET1[31] and N2HET2[0] can be configured to be internal-only channels. That is, the connection to the DCC module is made directly from the output of the N2HETx module (from the input of the output buffer).

For more information on DCC see [Section 4.7.3](#).

### 5.6.6 **Disabling N2HET Outputs**

Some applications require the N2HET outputs to be disabled under some fault condition. The N2HET module provides this capability via the "Pin Disable" input signal. This signal, when driven low, causes the N2HET outputs identified by a programmable register (HETPINDIS) to be tri-stated. Please refer to the device Terminal Reference Manual for more details on the "N2HET Pin Disable" feature.

GIOA[5] is connected to the "Pin Disable" input for N2HET1, and GIOB[2] is connected to the "Pin Disable" input for N2HET2.



## 5.6.7 High-End Timer Transfer Unit (HET-TU)

A High End Timer Transfer Unit (HET-TU) can perform DMA type transactions to transfer N2HET data to or from main memory. A Memory Protection Unit (MPU) is built into the HET-TU.

### 5.6.7.1 Features

- CPU and DMA independent
- Master Port to access system memory
- 8 control packets supporting dual buffer configuration
- Control packet information is stored in RAM protected by parity
- Event synchronization (HET transfer requests)
- Supports 32 or 64 bit transactions
- Addressing modes for HET address (8 byte or 16 byte) and system memory address (fixed, 32 bit or 64bit)
- One shot, circular and auto switch buffer transfer modes
- Request lost detection

### 5.6.7.2 Trigger Connections

**Table 5-24. HET TU1 Request Line Connection**

Modules	Request Source	HET TU1 Request
N2HET1	HTUREQ[0]	HET TU1 DCP[0]
N2HET1	HTUREQ[1]	HET TU1 DCP[1]
N2HET1	HTUREQ[2]	HET TU1 DCP[2]
N2HET1	HTUREQ[3]	HET TU1 DCP[3]
N2HET1	HTUREQ[4]	HET TU1 DCP[4]
N2HET1	HTUREQ[5]	HET TU1 DCP[5]
N2HET1	HTUREQ[6]	HET TU1 DCP[6]
N2HET1	HTUREQ[7]	HET TU1 DCP[7]

**Table 5-25. HET TU2 Request Line Connection**

Modules	Request Source	HET TU2 Request
N2HET2	HTUREQ[0]	HET TU2 DCP[0]
N2HET2	HTUREQ[1]	HET TU2 DCP[1]
N2HET2	HTUREQ[2]	HET TU2 DCP[2]
N2HET2	HTUREQ[3]	HET TU2 DCP[3]
N2HET2	HTUREQ[4]	HET TU2 DCP[4]
N2HET2	HTUREQ[5]	HET TU2 DCP[5]
N2HET2	HTUREQ[6]	HET TU2 DCP[6]
N2HET2	HTUREQ[7]	HET TU2 DCP[7]

## 5.7 Controller Area Network (DCAN)

The DCAN supports the CAN 2.0B protocol standard and uses a serial, multimaster communication protocol that efficiently supports distributed real-time control with robust communication rates of up to 1 megabit per second (Mbps). The DCAN is ideal for applications operating in noisy and harsh environments (e.g., automotive and industrial fields) that require reliable serial communication or multiplexed wiring.

### 5.7.1 Features

Features of the DCAN module include:

- Supports CAN protocol version 2.0 part A, B
- Bit rates up to 1 MBit/s
- The CAN kernel can be clocked by the oscillator for baud-rate generation.
- 64 mailboxes on each DCAN
- Individual identifier mask for each message object
- Programmable FIFO mode for message objects
- Programmable loop-back modes for self-test operation
- Automatic bus on after Bus-Off state by a programmable 32-bit timer
- Message RAM protected by parity
- Direct access to Message RAM during test mode
- CAN Rx / Tx pins configurable as general purpose IO pins
- Message RAM Auto Initialization
- DMA support

For more information on the DCAN see the device Technical Reference Manual.

### 5.7.2 Electrical and Timing Specifications

**Table 5-26. Dynamic Characteristics for the DCANx TX and RX pins**

Parameter		MIN	MAX	Unit
$t_{d(CANnTX)}$	Delay time, transmit shift register to CANnTX pin <sup>(1)</sup>		15	ns
$t_{d(CANnRX)}$	Delay time, CANnRX pin to receive shift register		5	ns

(1) These values do not include rise/fall times of the output buffer.

## 5.8 Local Interconnect Network Interface (LIN)

The SCI/LIN module can be programmed to work either as an SCI or as a LIN. The core of the module is an SCI. The SCI's hardware features are augmented to achieve LIN compatibility.

The SCI module is a universal asynchronous receiver-transmitter that implements the standard nonreturn to zero format. The SCI can be used to communicate, for example, through an RS-232 port or over a K-line.

The LIN standard is based on the SCI (UART) serial data link format. The communication concept is single-master/multiple-slave with a message identification for multi-cast transmission between any network nodes.

### 5.8.1 LIN Features

The following are features of the LIN module:

- Compatible to LIN 1.3, 2.0 and 2.1 protocols
- Multi-buffered receive and transmit units DMA capability for minimal CPU intervention
- Identification masks for message filtering
- Automatic Master Header Generation
  - Programmable Synch Break Field
  - Synch Field
  - Identifier Field
- Slave Automatic Synchronization
  - Synch break detection
  - Optional baudrate update
  - Synchronization Validation
- $2^{31}$  programmable transmission rates with 7 fractional bits
- Error detection
- 2 Interrupt lines with priority encoding

## 5.9 Serial Communication Interface (SCI)

### 5.9.1 Features

- Standard universal asynchronous receiver-transmitter (UART) communication
- Supports full- or half-duplex operation
- Standard nonreturn to zero (NRZ) format
- Double-buffered receive and transmit functions
- Configurable frame format of 3 to 13 bits per character based on the following:
  - Data word length programmable from one to eight bits
  - Additional address bit in address-bit mode
  - Parity programmable for zero or one parity bit, odd or even parity
  - Stop programmable for one or two stop bits
- Asynchronous or isosynchronous communication modes
- Two multiprocessor communication formats allow communication between more than two devices.
- Sleep mode is available to free CPU resources during multiprocessor communication.
- The 24-bit programmable baud rate supports  $2^{24}$  different baud rates provide high accuracy baud rate selection.
- Four error flags and Five status flags provide detailed information regarding SCI events.
- Capability to use DMA for transmit and receive data.

## 5.10 Inter-Integrated Circuit (I2C)

The inter-integrated circuit (I2C) module is a multi-master communication module providing an interface between the TMS570 microcontroller and devices compliant with Philips Semiconductor I2C-bus specification version 2.1 and connected by an I2C-bus. This module will support any slave or master I2C compatible device.

### 5.10.1 Features

The I2C has the following features:

- Compliance to the Philips I2C bus specification, v2.1 (The I2C Specification, Philips document number 9398 393 40011)
  - Bit/Byte format transfer
  - 7-bit and 10-bit device addressing modes
  - General call
  - START byte
  - Multi-master transmitter/ slave receiver mode
  - Multi-master receiver/ slave transmitter mode
  - Combined master transmit/receive and receive/transmit mode
  - Transfer rates of 10 kbps up to 400 kbps (Phillips fast-mode rate)
- Free data format
- Two DMA events (transmit and receive)
- DMA event enable/disable capability
- Seven interrupts that can be used by the CPU
- Module enable/disable capability
- The SDA and SCL are optionally configurable as general purpose I/O
- Slew rate control of the outputs
- Open drain control of the outputs
- Programmable pullup/pulldown capability on the inputs
- Supports Ignore NACK mode

---

#### NOTE

This I2C module does not support:

- High-speed (HS) mode
  - C-bus compatibility mode
  - The combined format in 10-bit address mode (the I2C sends the slave address second byte every time it sends the slave address first byte)
-

### 5.10.2 I2C I/O Timing Specifications

Table 5-27. I2C Signals (SDA and SCL) Switching Characteristics<sup>(1)</sup>

Parameter	Description	Standard Mode		Fast Mode		Unit
		MIN	MAX	MIN	MAX	
$t_{c(I2CCLK)}$	Cycle time, Internal Module clock for I2C, prescaled from VCLK	75.2	149	75.2	149	ns
$t_{c(SCL)}$	Cycle time, SCL	10		2.5		ms
$t_{su(SCLH-SDAL)}$	Setup time, SCL high before SDA low (for a repeated START condition)	4.7		0.6		ms
$t_{h(SCLL-SDAL)}$	Hold time, SCL low after SDA low (for a repeated START condition)	4		0.6		ms
$t_{w(SCLL)}$	Pulse duration, SCL low	4.7		1.3		ms
$t_{w(SCLH)}$	Pulse duration, SCL high	4		0.6		ms
$t_{su(SDA-SCLH)}$	Setup time, SDA valid before SCL high	250		100		ns
$t_{h(SDA-SCLL)}$	Hold time, SDA valid after SCL low (for I2C bus devices)	0	3.45 <sup>(2)</sup>	0	0.9	ms
$t_{w(SDAH)}$	Pulse duration, SDA high between STOP and START conditions	4.7		1.3		ms
$t_{su(SCLH-SDAH)}$	Setup time, SCL high before SDA high (for STOP condition)	4.0		0.6		ms
$t_{w(SP)}$	Pulse duration, spike (must be suppressed)			0	50	ns
$C_b^{(3)}$	Capacitive load for each bus line		400		400	pF

- (1) The I2C pins SDA and SCL do not feature fail-safe I/O buffers. These pins could potentially draw current when the device is powered down.
- (2) The maximum  $t_{h(SDA-SCLL)}$  for I2C bus devices has only to be met if the device does not stretch the low period ( $t_{w(SCLL)}$ ) of the SCL signal.
- (3)  $C_b$  = The total capacitance of one bus line in pF.

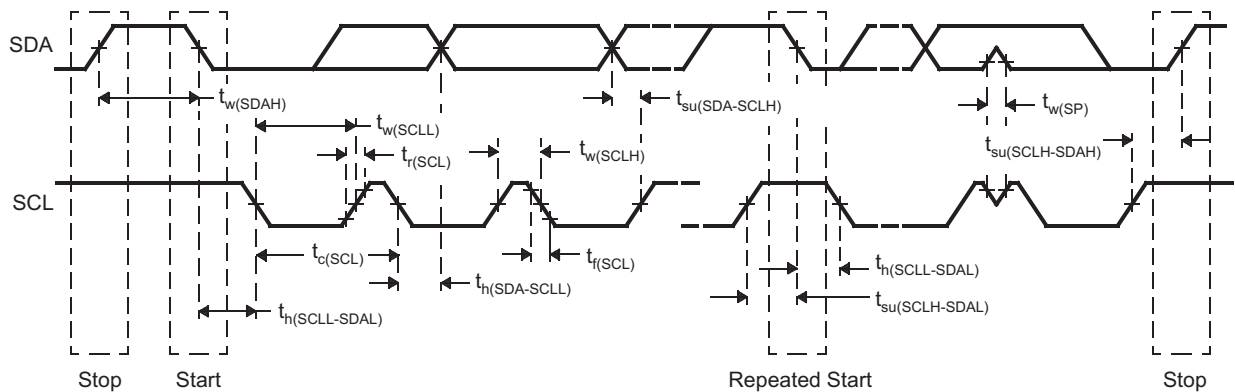


Figure 5-13. I2C Timings

---

**NOTE**

- A device must internally provide a hold time of at least 300 ns for the SDA signal (referred to the  $V_{IHmin}$  of the SCL signal) to bridge the undefined region of the falling edge of SCL.
  - The maximum  $t_{h(SDA-SCLL)}$  has only to be met if the device does not stretch the LOW period ( $t_{w(SCLL)}$ ) of the SCL signal.
  - A Fast-mode I2C-bus device can be used in a Standard-mode I2C-bus system, but the requirement  $t_{su(SDA-SCLH)} \geq 250$  ns must then be met. This will automatically be the case if the device does not stretch the LOW period of the SCL signal. If such a device does stretch the LOW period of the SCL signal, it must output the next data bit to the SDA line  $t_{rmax} + t_{su(SDA-SCLH)}$ .
  - $C_b$  = total capacitance of one bus line in pF. If mixed with fast-mode devices, faster fall-times are allowed.
-

## 5.11 Multi-Buffered / Standard Serial Peripheral Interface

The MibSPI is a high-speed synchronous serial input/output port that allows a serial bit stream of programmed length (2 to 16 bits) to be shifted in and out of the device at a programmed bit-transfer rate. Typical applications for the SPI include interfacing to external peripherals, such as I/Os, memories, display drivers, and analog-to-digital converters.

### 5.11.1 Features

Both Standard and MibSPI modules have the following features:

- 16-bit shift register
- Receive buffer register
- 8-bit baud clock generator
- SPICLK can be internally-generated (master mode) or received from an external clock source (slave mode)
- Each word transferred can have a unique format
- SPI I/Os not used in the communication can be used as digital input/output signals

**Table 5-28. MibSPI/SPI Configurations**

MibSPIx/SPIx	I/Os
MibSPI1	MIBSPI1SIMO[1:0], MIBSPI1SOMI[1:0], MIBSPI1CLK, MIBSPI1nCS[5:0], MIBSPI1nENA
MibSPI3	MIBSPI3SIMO, MIBSPI3SOMI, MIBSPI3CLK, MIBSPI3nCS[5:0], MIBSPI3nENA
MibSPI5	MIBSPI5SIMO[3:0], MIBSPI5SOMI[3:0], MIBSPI5CLK, MIBSPI5nCS[3:0], MIBSPI5nENA
SPI2	SPI2SIMO, ZSPI2SOMI, SPI2CLK, SPI2nCS[1:0], SPI2nENA
SPI4	SPI4SIMO, SPI4SOMI, SPI4CLK, SPI4nCS[0], SPI4nENA

### 5.11.2 MibSPI Transmit and Receive RAM Organization

The Multibuffer RAM is comprised of 128 buffers. Each entry in the Multibuffer RAM consists of 4 parts: a 16-bit transmit field, a 16-bit receive field, a 16-bit control field and a 16-bit status field. The Multibuffer RAM can be partitioned into multiple transfer group with variable number of buffers each. Each MibSPIx module supports 8 transfer groups.

### 5.11.3 MibSPI Transmit Trigger Events

Each of the transfer groups can be configured individually. For each of the transfer groups a trigger event and a trigger source can be chosen. A trigger event can be for example a rising edge or a permanent low level at a selectable trigger source. For example, up to 15 trigger sources are available which can be utilized by each transfer group. These trigger options are listed in [Table 5-29](#), [Section 5.11.3.2](#) and [Section 5.11.3.3](#) for MibSPI1, MibSPI3 and MibSPI5 respectively.



### 5.11.3.1 MIBSPI1 Event Trigger Hookup

**Table 5-29. MIBSPI1 Event Trigger Hookup**

Event #	TGxCTRL TRIGSRC[3:0]	Trigger
Disabled	0000	No trigger source
EVENT0	0001	GIOA[0]
EVENT1	0010	GIOA[1]
EVENT2	0011	GIOA[2]
EVENT3	0100	GIOA[3]
EVENT4	0101	GIOA[4]
EVENT5	0110	GIOA[5]
EVENT6	0111	GIOA[6]
EVENT7	1000	GIOA[7]
EVENT8	1001	N2HET1[8]
EVENT9	1010	N2HET1[10]
EVENT10	1011	N2HET1[12]
EVENT11	1100	N2HET1[14]
EVENT12	1101	N2HET1[16]
EVENT13	1110	N2HET1[18]
EVENT14	1111	Intern Tick counter

---

**NOTE**

For N2HET1 trigger sources, the connection to the MibSPI1 module trigger input is made from the input side of the output buffer (at the N2HET1 module boundary). This way, a trigger condition can be generated even if the N2HET1 signal is not selected to be output on the pad.

---



---

**NOTE**

For GIOx trigger sources, the connection to the MibSPI1 module trigger input is made from the output side of the input buffer. This way, a trigger condition can be generated either by selecting the GIOx pin as an output pin and selecting the pin to be a GIOx pin, or by driving the GIOx pin from an external trigger source. If the mux control module is used to select different functionality instead of the GIOx signal, then care must be taken to disable GIOx from triggering MibSPI1 transfers; there is no multiplexing on the input connections.

---

### 5.11.3.2 MIBSPI3 Event Trigger Hookup

**Table 5-30. MIBSPI3 Event Trigger Hookup**

Event #	TGxCTRL TRIGSRC[3:0]	Trigger
Disabled	0000	No trigger source
EVENT0	0001	GIOA[0]
EVENT1	0010	GIOA[1]
EVENT2	0011	GIOA[2]
EVENT3	0100	GIOA[3]
EVENT4	0101	GIOA[4]
EVENT5	0110	GIOA[5]
EVENT6	0111	GIOA[6]
EVENT7	1000	GIOA[7]
EVENT8	1001	N2HET1[8]

**Table 5-30. MIBSPI3 Event Trigger Hookup (continued)**

Event #	TGxCTRL TRIGSRC[3:0]	Trigger
EVENT9	1010	N2HET1[10]
EVENT10	1011	N2HET1[12]
EVENT11	1100	N2HET1[14]
EVENT12	1101	N2HET1[16]
EVENT13	1110	N2HET1[18]
EVENT14	1111	Intern Tick counter

**NOTE**

For N2HET1 trigger sources, the connection to the MibSPI3 module trigger input is made from the input side of the output buffer (at the N2HET1 module boundary). This way, a trigger condition can be generated even if the N2HET1 signal is not selected to be output on the pad.

**NOTE**

For GIOx trigger sources, the connection to the MibSPI3 module trigger input is made from the output side of the input buffer. This way, a trigger condition can be generated either by selecting the GIOx pin as an output pin and selecting the pin to be a GIOx pin, or by driving the GIOx pin from an external trigger source. If the mux control module is used to select different functionality instead of the GIOx signal, then care must be taken to disable GIOx from triggering MibSPI3 transfers; there is no multiplexing on the input connections.

**5.11.3.3 MIBSPI5 Event Trigger Hookup**

**Table 5-31. MIBSPI5 Event Trigger Hookup**

Event #	TGxCTRL TRIGSRC[3:0]	Trigger
Disabled	0000	No trigger source
EVENT0	0001	GIOA[0]
EVENT1	0010	GIOA[1]
EVENT2	0011	GIOA[2]
EVENT3	0100	GIOA[3]
EVENT4	0101	GIOA[4]
EVENT5	0110	GIOA[5]
EVENT6	0111	GIOA[6]
EVENT7	1000	GIOA[7]
EVENT8	1001	N2HET1[8]
EVENT9	1010	N2HET1[10]
EVENT10	1011	N2HET1[12]
EVENT11	1100	N2HET1[14]
EVENT12	1101	N2HET1[16]
EVENT13	1110	N2HET1[18]
EVENT14	1111	Intern Tick counter

**NOTE**

For N2HET1 trigger sources, the connection to the MibSPI5 module trigger input is made from the input side of the output buffer (at the N2HET1 module boundary). This way, a trigger condition can be generated even if the N2HET1 signal is not selected to be output on the pad.

---

**NOTE**

For GIOx trigger sources, the connection to the MibSPI5 module trigger input is made from the output side of the input buffer. This way, a trigger condition can be generated either by selecting the GIOx pin as an output pin and selecting the pin to be a GIOx pin, or by driving the GIOx pin from an external trigger source. If the mux control module is used to select different functionality instead of the GIOx signal, then care must be taken to disable GIOx from triggering MibSPI5 transfers; there is no multiplexing on the input connections.

---

### 5.11.4 MibSPI/SPI Master Mode I/O Timing Specifications

**Table 5-32. SPI Master Mode External Timing Parameters (CLOCK PHASE = 0, SPICLK = output, SPISIMO = output, and SPISOMI = input)<sup>(1)(2)(3)</sup>**

NO.	Parameter		MIN	MAX	Unit	
1	$t_{c(SPC)M}$	Cycle time, SPICLK <sup>(4)</sup>	4040	$256t_{c(VCLK)}$	ns	
2 <sup>(5)</sup>	$t_{w(SPCH)M}$	Pulse duration, SPICLK high (clock polarity = 0)	$0.5t_{c(SPC)M} - t_{f(SPC)M} - 3$	$0.5t_{c(SPC)M} + 3$	ns	
	$t_{w(SPCL)M}$	Pulse duration, SPICLK low (clock polarity = 1)	$0.5t_{c(SPC)M} - t_{f(SPC)M} - 3$	$0.5t_{c(SPC)M} + 3$		
3 <sup>(5)</sup>	$t_{w(SPCL)M}$	Pulse duration, SPICLK low (clock polarity = 0)	$0.5t_{c(SPC)M} - t_{f(SPC)M} - 3$	$0.5t_{c(SPC)M} + 3$	ns	
	$t_{w(SPCH)M}$	Pulse duration, SPICLK high (clock polarity = 1)	$0.5t_{c(SPC)M} - t_{f(SPC)M} - 3$	$0.5t_{c(SPC)M} + 3$		
4 <sup>(5)</sup>	$t_{d(SPCH-SIMO)M}$	Delay time, SPISIMO valid before SPICLK low (clock polarity = 0)	$0.5t_{c(SPC)M} - 5$		ns	
	$t_{d(SPCL-SIMO)M}$	Delay time, SPISIMO valid before SPICLK high (clock polarity = 1)	$0.5t_{c(SPC)M} - 5$			
5 <sup>(5)</sup>	$t_{v(SPCL-SIMO)M}$	Valid time, SPISIMO data valid after SPICLK low (clock polarity = 0)	$0.5t_{c(SPC)M} - t_{f(SPC)} - 3$		ns	
	$t_{v(SPCH-SIMO)M}$	Valid time, SPISIMO data valid after SPICLK high (clock polarity = 1)	$0.5t_{c(SPC)M} - t_{f(SPC)} - 3$			
6 <sup>(5)</sup>	$t_{su(SOMI-SPCL)M}$	Setup time, SPISOMI before SPICLK low (clock polarity = 0)	$0.5t_{f(SPC)} + 2$		ns	
	$t_{su(SOMI-SPCH)M}$	Setup time, SPISOMI before SPICLK high (clock polarity = 1)	$0.5t_{f(SPC)} + 2$			
7 <sup>(5)</sup>	$t_{h(SPCL-SOMI)M}$	Hold time, SPISOMI data valid after SPICLK low (clock polarity = 0)	5		ns	
	$t_{h(SPCH-SOMI)M}$	Hold time, SPISOMI data valid after SPICLK high (clock polarity = 1)	5			
8 <sup>(6)</sup>	$t_{C2TDELAY}$	Setup time CS active until SPICLK high (clock polarity = 0)	CSHOLD = 0	$C2TDELAY * t_{c(VCLK)} + 2 * t_{c(VCLK)} - t_{f(SPICS)} + t_{f(SPC)} - 15$	$(C2TDELAY + 2) * t_{c(VCLK)} - t_{f(SPICS)} + t_{f(SPC)} + 3$	ns
			CSHOLD = 1	$C2TDELAY * t_{c(VCLK)} + 3 * t_{c(VCLK)} - t_{f(SPICS)} + t_{f(SPC)} - 15$	$(C2TDELAY + 3) * t_{c(VCLK)} - t_{f(SPICS)} + t_{f(SPC)} + 3$	
		Setup time CS active until SPICLK low (clock polarity = 1)	CSHOLD = 0	$C2TDELAY * t_{c(VCLK)} + 2 * t_{c(VCLK)} - t_{f(SPICS)} + t_{f(SPC)} - 15$	$(C2TDELAY + 2) * t_{c(VCLK)} - t_{f(SPICS)} + t_{f(SPC)} + 3$	ns
			CSHOLD = 1	$C2TDELAY * t_{c(VCLK)} + 3 * t_{c(VCLK)} - t_{f(SPICS)} + t_{f(SPC)} - 15$	$(C2TDELAY + 3) * t_{c(VCLK)} - t_{f(SPICS)} + t_{f(SPC)} + 3$	
9 <sup>(6)</sup>	$t_{T2CDELAY}$	Hold time SPICLK low CS until inactive (clock polarity = 0)	$0.5 * t_{c(SPC)M} + T2CDELAY * t_{c(VCLK)} + t_{c(VCLK)} - t_{f(SPC)} + t_{f(SPICS)} - 5$	$0.5 * t_{c(SPC)M} + T2CDELAY * t_{c(VCLK)} + t_{c(VCLK)} - t_{f(SPC)} + t_{f(SPICS)} + 8$	ns	
		Hold time SPICLK high until CS inactive (clock polarity = 1)	$0.5 * t_{c(SPC)M} + T2CDELAY * t_{c(VCLK)} + t_{c(VCLK)} - t_{f(SPC)} + t_{f(SPICS)} - 5$	$0.5 * t_{c(SPC)M} + T2CDELAY * t_{c(VCLK)} + t_{c(VCLK)} - t_{f(SPC)} + t_{f(SPICS)} + 8$	ns	
10	$t_{SPIENA}$	SPIENAn Sample point	$(C2TDELAY + 1) * t_{c(VCLK)} - t_{f(SPICS)} - 25$	$(C2TDELAY + 1) * t_{c(VCLK)}$	ns	
11	$t_{SPIENAW}$	SPIENAn Sample point from write to buffer		$(C2TDELAY + 2) * t_{c(VCLK)}$	ns	

(1) The MASTER bit (SPIGCR1.0) is set and the CLOCK PHASE bit (SPIFMTx.16) is set.

(2)  $t_{c(VCLK)}$  = interface clock cycle time =  $1 / f_{(VCLK)}$

(3) For rise and fall timings, see Table 3-4.

(4) When the SPI is in Master mode, the following must be true:

For PS values from 1 to 255:  $t_{c(SPC)M} \geq (PS + 1)t_{c(VCLK)} \geq 40ns$ , where PS is the prescale value set in the SPIFMTx.[15:8] register bits.

For PS values of 0:  $t_{c(SPC)M} = 2t_{c(VCLK)} \geq 40ns$ .

The external load on the SPICLK pin must be less than 60pF.

(5) The active edge of the SPICLK signal referenced is controlled by the CLOCK POLARITY bit (SPIFMTx.17).

(6) C2TDELAY and T2CDELAY is programmed in the SPIDELAY register

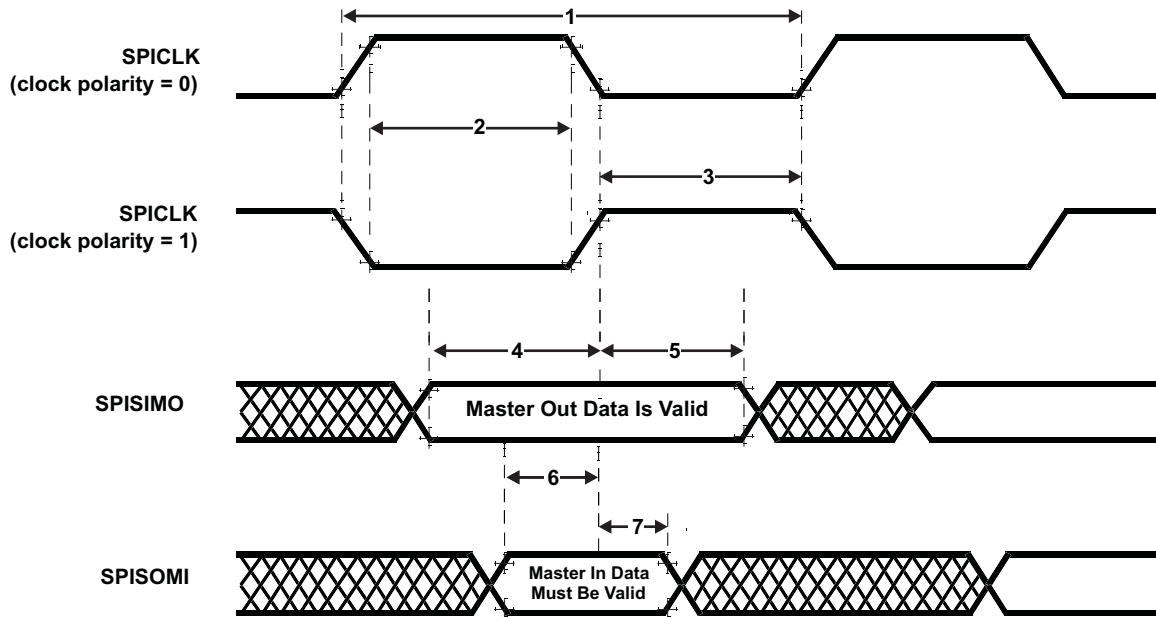


Figure 5-14. SPI Master Mode External Timing (CLOCK PHASE = 0)

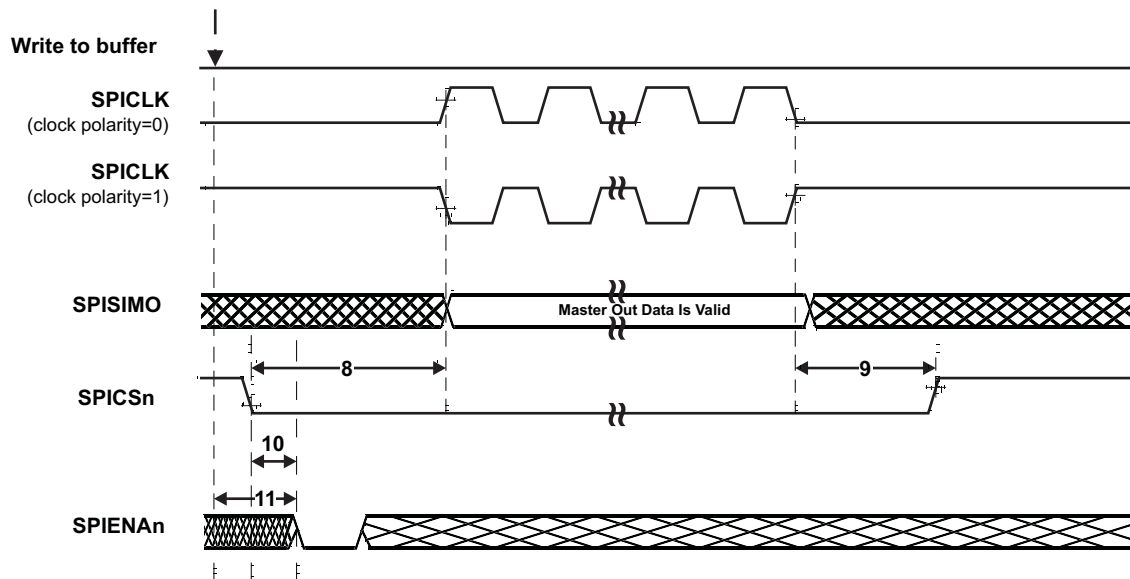


Figure 5-15. SPI Master Mode Chip Select Timing (CLOCK PHASE = 0)

PRODUCT PREVIEW

**Table 5-33. SPI Master Mode External Timing Parameters (CLOCK PHASE = 1, SPICLK = output, SPISIMO = output, and SPISOMI = input)<sup>(1)(2)(3)</sup>**

NO.	Parameter		MIN	MAX	Unit	
1	$t_{c(SPC)M}$	Cycle time, SPICLK <sup>(4)</sup>	40	$256t_{c(VCLK)}$	ns	
2 <sup>(5)</sup>	$t_{w(SPCH)M}$	Pulse duration, SPICLK high (clock polarity = 0)	$0.5t_{c(SPC)M} - t_{r(SPC)M} - 3$	$0.5t_{c(SPC)M} + 3$	ns	
	$t_{w(SPCL)M}$	Pulse duration, SPICLK low (clock polarity = 1)	$0.5t_{c(SPC)M} - t_{f(SPC)M} - 3$	$0.5t_{c(SPC)M} + 3$		
3 <sup>(5)</sup>	$t_{w(SPCL)M}$	Pulse duration, SPICLK low (clock polarity = 0)	$0.5t_{c(SPC)M} - t_{r(SPC)M} - 3$	$0.5t_{c(SPC)M} + 3$	ns	
	$t_{w(SPCH)M}$	Pulse duration, SPICLK high (clock polarity = 1)	$0.5t_{c(SPC)M} - t_{f(SPC)M} - 3$	$0.5t_{c(SPC)M} + 3$		
4 <sup>(5)</sup>	$t_{v(SIMO-SPCH)M}$	Valid time, SPICLK high after SPISIMO data valid (clock polarity = 0)	$0.5t_{c(SPC)M} - 5$		ns	
	$t_{v(SIMO-SPCL)M}$	Valid time, SPICLK low after SPISIMO data valid (clock polarity = 1)	$0.5t_{c(SPC)M} - 5$			
5 <sup>(5)</sup>	$t_{v(SPCH-SIMO)M}$	Valid time, SPISIMO data valid after SPICLK high (clock polarity = 0)	$0.5t_{c(SPC)M} - t_{r(SPC)} - 3$		ns	
	$t_{v(SPCL-SIMO)M}$	Valid time, SPISIMO data valid after SPICLK low (clock polarity = 1)	$0.5t_{c(SPC)M} - t_{f(SPC)} - 3$			
6 <sup>(5)</sup>	$t_{su(SOMI-SPCH)M}$	Setup time, SPISOMI before SPICLK high (clock polarity = 0)	$t_{r(SPC)}$		ns	
	$t_{su(SOMI-SPCL)M}$	Setup time, SPISOMI before SPICLK low (clock polarity = 1)	$t_{f(SPC)}$			
7 <sup>(5)</sup>	$t_{v(SPCH-SOMI)M}$	Valid time, SPISOMI data valid after SPICLK high (clock polarity = 0)	5		ns	
	$t_{v(SPCL-SOMI)M}$	Valid time, SPISOMI data valid after SPICLK low (clock polarity = 1)	5			
8 <sup>(6)</sup>	$t_{C2TDELAY}$	Setup time CS active until SPICLK high (clock polarity = 0)	CSHOLD = 0	$0.5 * t_{c(SPC)M} + (C2TDELAY + 2) * t_{c(VCLK)} - t_{f(SPICS)} + t_{r(SPC)} - 15$	$0.5 * t_{c(SPC)M} + (C2TDELAY + 2) * t_{c(VCLK)} - t_{f(SPICS)} + t_{r(SPC)} + 3$	ns
			CSHOLD = 1	$0.5 * t_{c(SPC)M} + (C2TDELAY + 3) * t_{c(VCLK)} - t_{f(SPICS)} + t_{r(SPC)} - 15$	$0.5 * t_{c(SPC)M} + (C2TDELAY + 3) * t_{c(VCLK)} - t_{f(SPICS)} + t_{r(SPC)} + 3$	
	$t_{C2TDELAY}$	Setup time CS active until SPICLK low (clock polarity = 1)	CSHOLD = 0	$0.5 * t_{c(SPC)M} + (C2TDELAY + 2) * t_{c(VCLK)} - t_{f(SPICS)} + t_{r(SPC)} - 15$	$0.5 * t_{c(SPC)M} + (C2TDELAY + 2) * t_{c(VCLK)} - t_{f(SPICS)} + t_{r(SPC)} + 3$	ns
			CSHOLD = 1	$0.5 * t_{c(SPC)M} + (C2TDELAY + 3) * t_{c(VCLK)} - t_{f(SPICS)} + t_{r(SPC)} - 15$	$0.5 * t_{c(SPC)M} + (C2TDELAY + 3) * t_{c(VCLK)} - t_{f(SPICS)} + t_{r(SPC)} + 3$	
9 <sup>(6)</sup>	$t_{T2CDELAY}$	Hold time SPICLK low CS until inactive (clock polarity = 0)	$T2CDELAY * t_{c(VCLK)} + t_{c(VCLK)} - t_{f(SPC)} + t_{r(SPICS)} - 4$	$T2CDELAY * t_{c(VCLK)} + t_{c(VCLK)} - t_{f(SPC)} + t_{r(SPICS)} + 8$	ns	
		Hold time SPICLK high until CS inactive (clock polarity = 1)	$T2CDELAY * t_{c(VCLK)} + t_{c(VCLK)} - t_{r(SPC)} + t_{r(SPICS)} - 4$	$T2CDELAY * t_{c(VCLK)} + t_{c(VCLK)} - t_{r(SPC)} + t_{r(SPICS)} + 8$	ns	
10	$t_{SPIENA}$	SPIENAn Sample Point	$(C2TDELAY + 1) * t_{c(VCLK)} - t_{f(SPICS)} - 25$	$(C2TDELAY + 1) * t_{c(VCLK)}$	ns	
11	$t_{SPIENAW}$	SPIENAn Sample point from write to buffer		$(C2TDELAY + 2) * t_{c(VCLK)}$	ns	

(1) The MASTER bit (SPIGCR1.0) is set and the CLOCK PHASE bit (SPIFMTx.16) is set.  
 (2)  $t_{c(VCLK)}$  = interface clock cycle time =  $1 / f_{VCLK}$   
 (3) For rise and fall timings, see Table 3-4.  
 (4) When the SPI is in Master mode, the following must be true:  
 For PS values from 1 to 255:  $t_{c(SPC)M} \geq (PS + 1)t_{c(VCLK)} \geq 40ns$ , where PS is the prescale value set in the SPIFMTx.[15:8] register bits.  
 For PS values of 0:  $t_{c(SPC)M} = 2t_{c(VCLK)} \geq 40ns$ .  
 The external load on the SPICLK pin must be less than 60pF.  
 (5) The active edge of the SPICLK signal referenced is controlled by the CLOCK POLARITY bit (SPIFMTx.17).  
 (6) C2TDELAY and T2CDELAY is programmed in the SPIDELAY register

PRODUCT PREVIEW

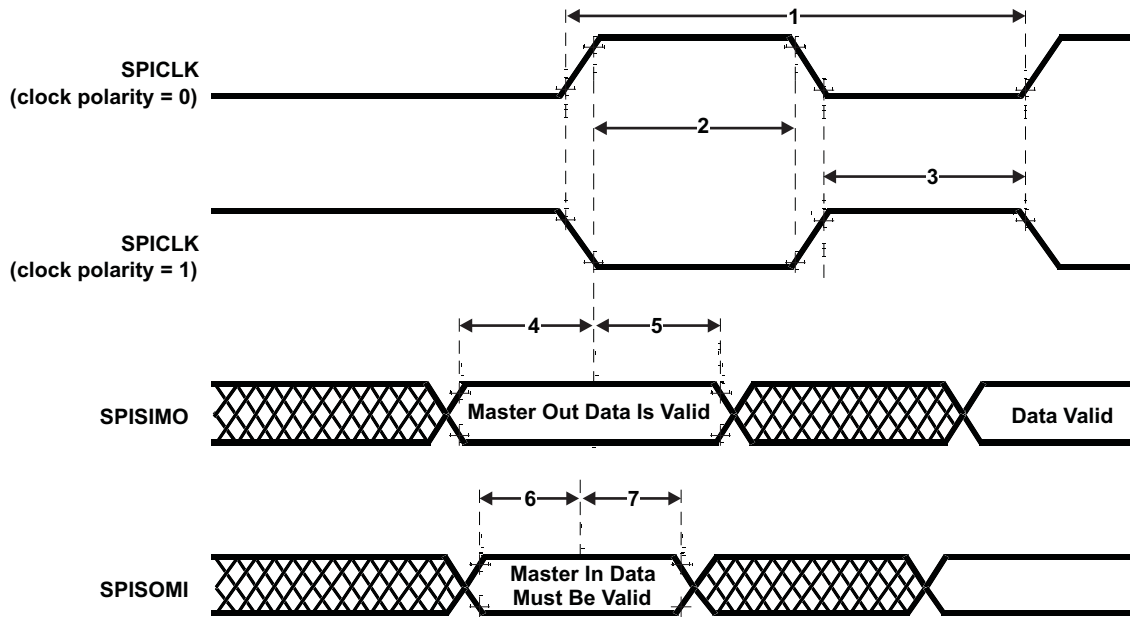


Figure 5-16. SPI Master Mode External Timing (CLOCK PHASE = 1)

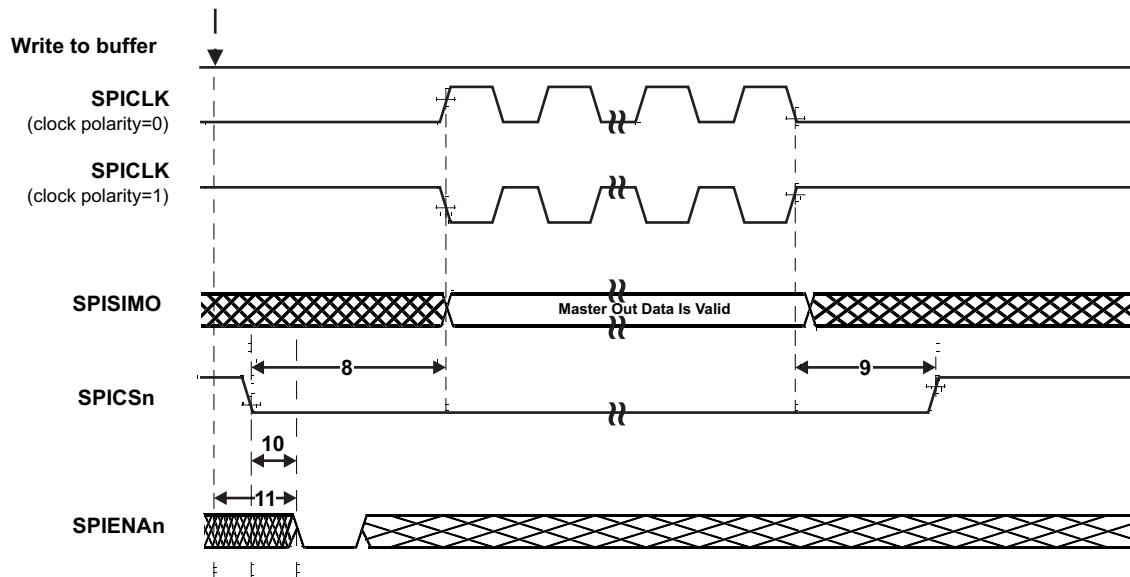


Figure 5-17. SPI Master Mode Chip Select Timing (CLOCK PHASE = 1)

PRODUCT PREVIEW

### 5.11.5 SPI Slave Mode I/O Timings

**Table 5-34. SPI Slave Mode External Timing Parameters (CLOCK PHASE = 0, SPICLK = input, SPISIMO = input, and SPISOMI = output)<sup>(1)(2)(3)(4)</sup>**

NO.	Parameter		MIN	MAX	Unit
1	$t_{c(SPC)S}$	Cycle time, SPICLK <sup>(5)</sup>	40	$256t_{c(VCLK)}$	ns
2 <sup>(6)</sup>	$t_{w(SPCH)S}$	Pulse duration, SPICLK high (clock polarity = 0)	14		ns
	$t_{w(SPCL)S}$	Pulse duration, SPICLK low (clock polarity = 1)	14		
3 <sup>(6)</sup>	$t_{w(SPCL)S}$	Pulse duration, SPICLK low (clock polarity = 0)	14		ns
	$t_{w(SPCH)S}$	Pulse duration, SPICLK high (clock polarity = 1)	14		
4 <sup>(6)</sup>	$t_{d(SPCH-SOMI)S}$	Delay time, SPISOMI valid after SPICLK high (clock polarity = 0)		$t_{f(SOMI)} + 13$	ns
	$t_{d(SPCL-SOMI)S}$	Delay time, SPISOMI valid after SPICLK low (clock polarity = 1)		$t_{f(SOMI)} + 13$	
5 <sup>(6)</sup>	$t_{h(SPCH-SOMI)S}$	Hold time, SPISOMI data valid after SPICLK high (clock polarity = 0)	2		ns
	$t_{h(SPCL-SOMI)S}$	Hold time, SPISOMI data valid after SPICLK low (clock polarity = 1)	2		
6 <sup>(6)</sup>	$t_{su(SIMO-SPCL)S}$	Setup time, SPISIMO before SPICLK low (clock polarity = 0)	2		ns
	$t_{su(SIMO-SPCH)S}$	Setup time, SPISIMO before SPICLK high (clock polarity = 1)	2		
7 <sup>(6)</sup>	$t_{h(SPCL-SIMO)S}$	Hold time, SPISIMO data valid after SPICLK low (clock polarity = 0)	2		ns
	$t_{h(SPCH-SIMO)S}$	Hold time, SPISIMO data valid after SPICLK high (clock polarity = 1)	2		
8	$t_{d(SPCL-SENAH)S}$	Delay time, SPIENAn high after last SPICLK low (clock polarity = 0)	$1.5t_{c(VCLK)}$	$2.5t_{c(VCLK)} + t_{f(ENAn)}$	ns
	$t_{d(SPCH-SENAH)S}$	Delay time, SPIENAn high after last SPICLK high (clock polarity = 1)	$1.5t_{c(VCLK)}$	$2.5t_{c(VCLK)} + t_{f(ENAn)}$	
9	$t_{d(SCSL-SENAL)S}$	Delay time, SPIENAn low after SPICLK low (if new data has been written to the SPI buffer)	$t_{f(ENAn)}$	$t_{c(VCLK)} + t_{f(ENAn)} + 1$ 4	ns

- (1) The MASTER bit (SPIGCR1.0) is set and the CLOCK PHASE bit (SPIFMTx.16) is set.
- (2) If the SPI is in slave mode, the following must be true:  $t_{c(SPC)S} \geq (PS + 1) t_{c(VCLK)}$ , where PS = prescale value set in SPIFMTx.[15:8].
- (3) For rise and fall timings, see [Table 3-4](#).
- (4)  $t_{c(VCLK)}$  = interface clock cycle time =  $1 / f_{(VCLK)}$
- (5) When the SPI is in Slave mode, the following must be true:  
For PS values from 1 to 255:  $t_{c(SPC)S} \geq (PS + 1) t_{c(VCLK)} \geq 40ns$ , where PS is the prescale value set in the SPIFMTx.[15:8] register bits.  
For PS values of 0:  $t_{c(SPC)S} = 2t_{c(VCLK)} \geq 40ns$ .
- (6) The active edge of the SPICLK signal referenced is controlled by the CLOCK POLARITY bit (SPIFMTx.17).



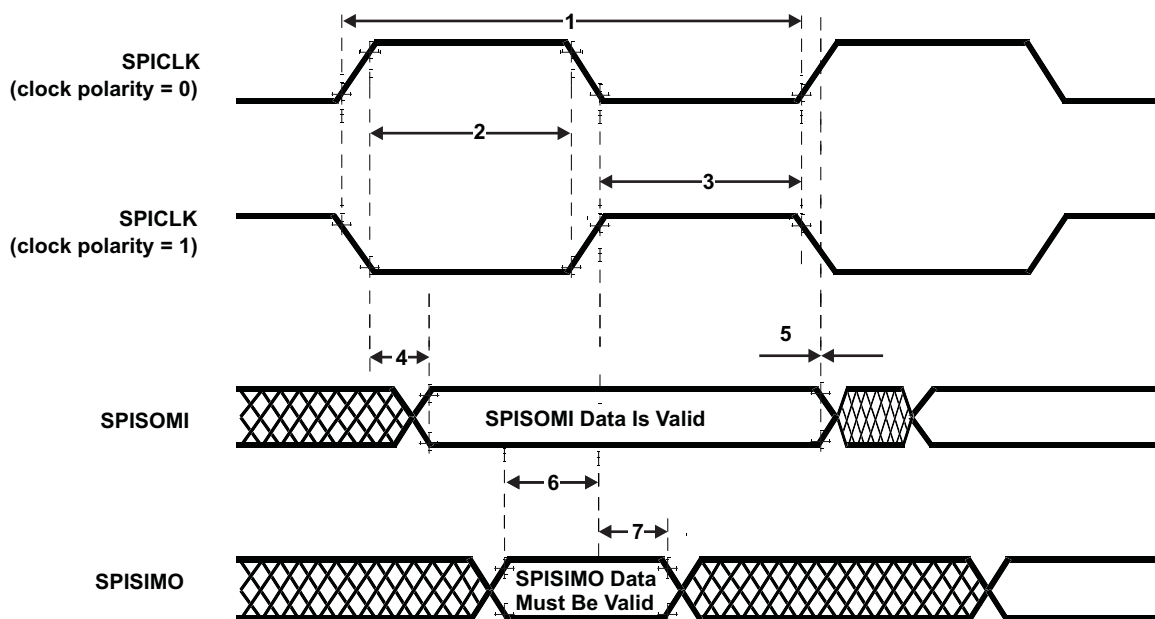


Figure 5-18. SPI Slave Mode External Timing (CLOCK PHASE = 0)

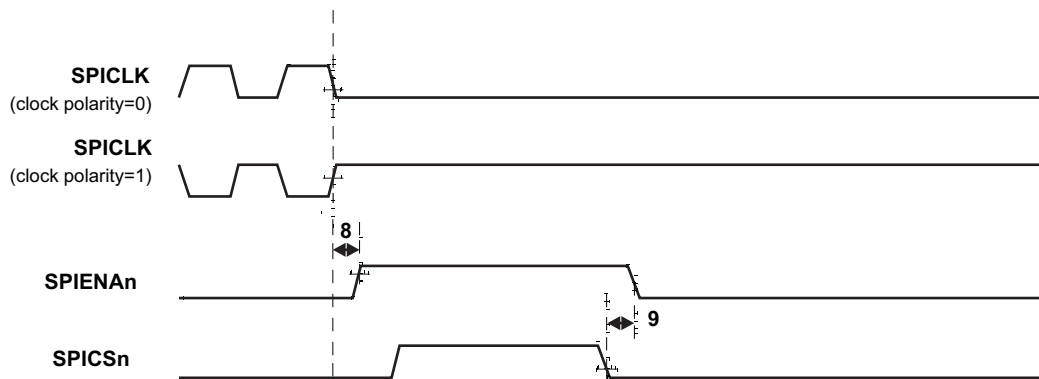


Figure 5-19. SPI Slave Mode Enable Timing (CLOCK PHASE = 0)

**Table 5-35. SPI Slave Mode External Timing Parameters (CLOCK PHASE = 1, SPICLK = input, SPISIMO = input, and SPISOMI = output)<sup>(1)(2)(3)(4)</sup>**

NO.	Parameter		MIN	MAX	Unit
1	$t_{c(SPC)S}$	Cycle time, SPICLK <sup>(5)</sup>	40	$256t_{c(VCLK)}$	ns
2 <sup>(6)</sup>	$t_{w(SPCH)S}$	Pulse duration, SPICLK high (clock polarity = 0)	14		ns
	$t_{w(SPCL)S}$	Pulse duration, SPICLK low (clock polarity = 1)	14		
3 <sup>(6)</sup>	$t_{w(SPCL)S}$	Pulse duration, SPICLK low (clock polarity = 0)	14		ns
	$t_{w(SPCH)S}$	Pulse duration, SPICLK high (clock polarity = 1)	14		
4 <sup>(6)</sup>	$t_{d(SOMI-SPCL)S}$	Delay time, SPISOMI data valid after SPICLK low (clock polarity = 0)		$t_{rf(SOMI)} + 13$	ns
	$t_{d(SOMI-SPCH)S}$	Delay time, SPISOMI data valid after SPICLK high (clock polarity = 1)		$t_{rf(SOMI)} + 13$	
5 <sup>(6)</sup>	$t_{h(SPCL-SOMI)S}$	Hold time, SPISOMI data valid after SPICLK high (clock polarity = 0)	2		ns
	$t_{h(SPCH-SOMI)S}$	Hold time, SPISOMI data valid after SPICLK low (clock polarity = 1)	2		
6 <sup>(6)</sup>	$t_{su(SIMO-SPCH)S}$	Setup time, SPISIMO before SPICLK high (clock polarity = 0)	2		ns
	$t_{su(SIMO-SPCL)S}$	Setup time, SPISIMO before SPICLK low (clock polarity = 1)	2		
7 <sup>(6)</sup>	$t_{v(SPCH-SIMO)S}$	High time, SPISIMO data valid after SPICLK high (clock polarity = 0)	2		ns
	$t_{v(SPCL-SIMO)S}$	High time, SPISIMO data valid after SPICLK low (clock polarity = 1)	2		
8	$t_{d(SPCH-SENAH)S}$	Delay time, SPIENAn high after last SPICLK high (clock polarity = 0)	$1.5t_{c(VCLK)}$	$2.5t_{c(VCLK)} + t_{r(ENAn)}$	ns
	$t_{d(SPCL-SENAH)S}$	Delay time, SPIENAn high after last SPICLK low (clock polarity = 1)	$1.5t_{c(VCLK)}$	$2.5t_{c(VCLK)} + t_{r(ENAn)}$	
9	$t_{d(SCSL-SENAL)S}$	Delay time, SPIENAn low after SPICSn low (if new data has been written to the SPI buffer)	$t_{r(ENAn)}$	$t_{c(VCLK)} + t_{r(ENAn)} + 14$	ns
10	$t_{d(SCSL-SOMI)S}$	Delay time, SOMI valid after SPICSn low (if new data has been written to the SPI buffer)	$t_{c(VCLK)}$	$2t_{c(VCLK)} + t_{r(SOMI)} + 8$	ns

- (1) The MASTER bit (SPIGCR1.0) is set and the CLOCK PHASE bit (SPIFMTx.16) is set.
- (2) If the SPI is in slave mode, the following must be true:  $t_{c(SPC)S} \leq (PS + 1) t_{c(VCLK)}$ , where PS = prescale value set in SPIFMTx.[15:8].
- (3) For rise and fall timings, see [Table 3-4](#).
- (4)  $t_{c(VCLK)}$  = interface clock cycle time =  $1 / f_{(VCLK)}$
- (5) When the SPI is in Slave mode, the following must be true:  
For PS values from 1 to 255:  $t_{c(SPC)S} \geq (PS + 1)t_{c(VCLK)} \geq 40ns$ , where PS is the prescale value set in the SPIFMTx.[15:8] register bits.  
For PS values of 0:  $t_{c(SPC)S} = 2t_{c(VCLK)} \geq 40ns$ .
- (6) The active edge of the SPICLK signal referenced is controlled by the CLOCK POLARITY bit (SPIFMTx.17).

PRODUCT PREVIEW

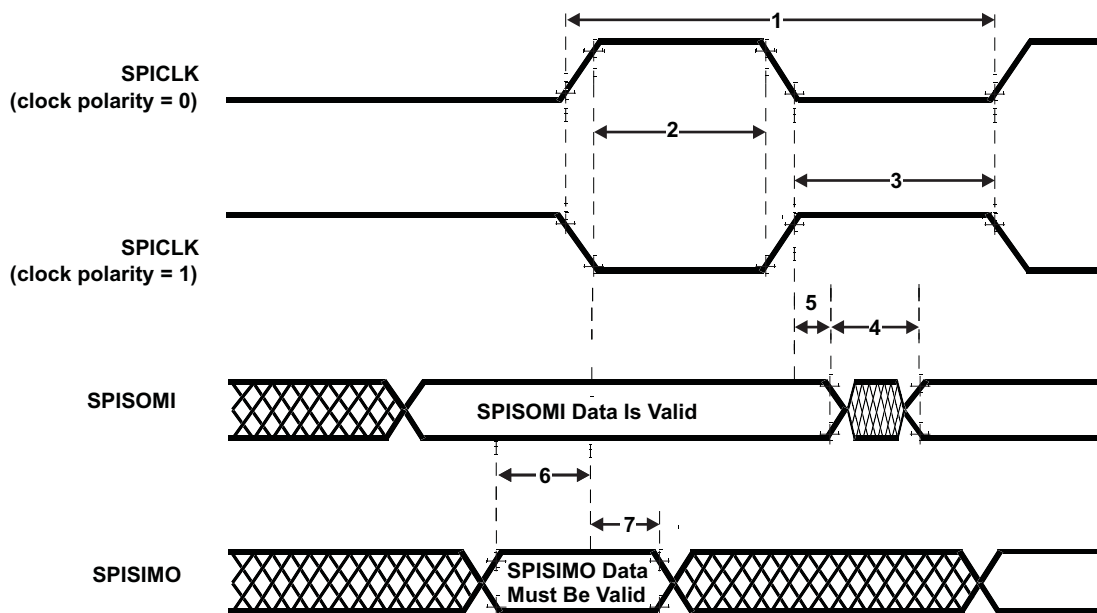


Figure 5-20. SPI Slave Mode External Timing (CLOCK PHASE = 1)

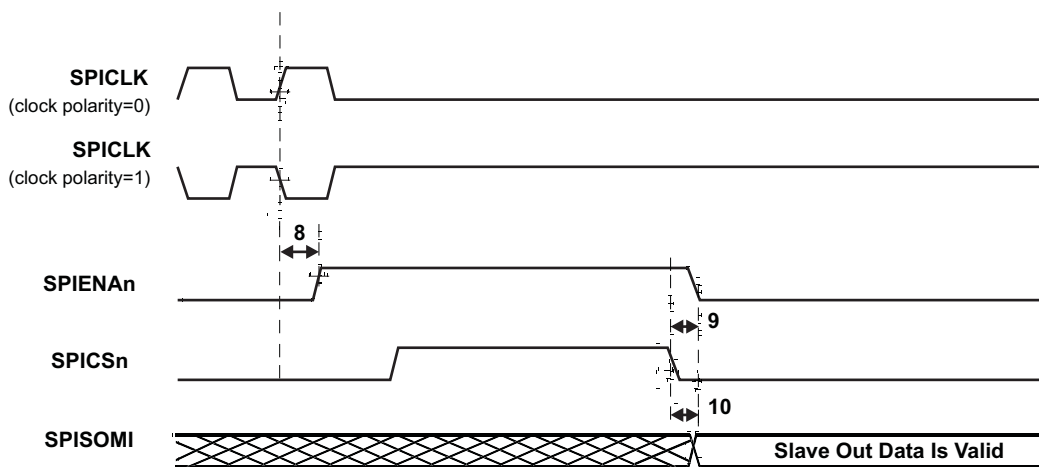


Figure 5-21. SPI Slave Mode Enable Timing (CLOCK PHASE = 1)

## 5.12 Universal Serial Bus Controller

### 5.12.1 Features

This device provides several varieties of USB functionality, including:

- One full-speed USB device port compatible with the USB Specification Revision 2.0 and USB Specification Revision 1.1
- Two USB host ports compatible with USB Specification Revision 2.0, which is based on the OHCI Specification For USB Release 1.0.

### 5.12.2 Electrical and Timing Specifications

**Table 5-36. Full-Speed USB Interface Timing Requirements<sup>(1)</sup>**

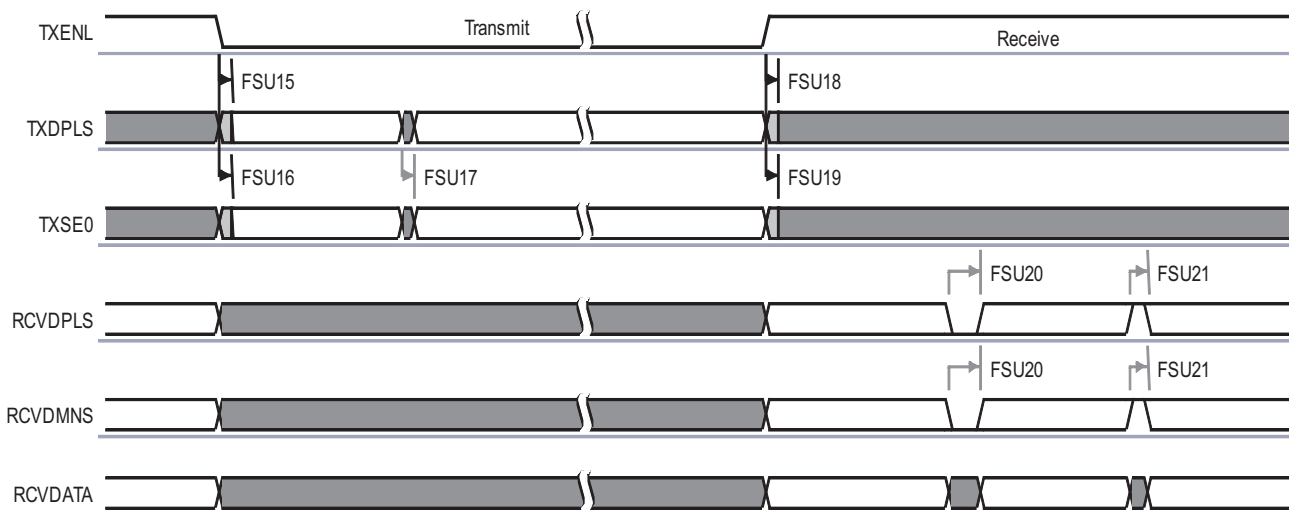
NO.	Parameter		MIN	MAX	Unit
FSU20	$t_d(VPL, VML)$	Time duration, RCVDPLS and RCVDMNS low together during transition		14	ns
FSU21	$t_d(VPH, VMH)$	Time duration, RCVDPLS and RCVDMNS high together during transition		8	ns

(1) The capacitive loading is equivalent tp 15 pF

**Table 5-37. Full-Speed USB Interface Switching Characteristics<sup>(1)</sup>**

NO.	Parameter		MIN	MAX	Unit
FSU15	$t_d(TXENL-DATV)$	Delay time TXENL active to TXDPLS valid	0	1.5	ns
FSU16	$t_d(TXENL-SE0V)$	Delay time TXENL active to TXSE0 valid	0	1.5	ns
FSU17	$t_s(DAT-SE0)$	Skew between TXDPLS and TXSE0 transition		1.5	ns
FSU18	$t_d(TXENH-DATI)$	Delay time TXENL inactive to TXDPLS invalid	0	1.5	ns
FSU19	$t_d(TXENH-SE0I)$	Delay time TXENL inactive to TXSE0 invalid	0	1.5	ns

(1) The capacitive loading is equivalent tp 15 pF



**Figure 5-22. Full-Speed USB Interface – Transmit and Receive Modes**

## 6 Device and Documentation Support

### 6.1 Device and Development-Support Tool Nomenclature

To designate the stages in the product development cycle, TI assigns prefixes to the part numbers of all devices. Each device has one of three prefixes: X, P, or null (no prefix) (for example, xRM46L852). These prefixes represent evolutionary stages of product development from engineering prototypes through fully qualified production devices/tools.

Device development evolutionary flow:

- x** Experimental device that is not necessarily representative of the final device's electrical specifications and may not use production assembly flow.
- P** Prototype device that is not necessarily the final silicon die and may not necessarily meet final electrical specifications.
- null** Fully-qualified production device.

x and P devices and TMDX development-support tools are shipped against the following disclaimer:

"Developmental product is intended for internal evaluation purposes."

Production devices have been characterized fully, and the quality and reliability of the device have been demonstrated fully. TI's standard warranty applies.

Predictions show that prototype devices have a greater failure rate than the standard production devices. Texas Instruments recommends that these devices not be used in any production system because their expected end-use failure rate still is undefined. Only qualified production devices are to be used.

The figure below illustrates the numbering and symbol nomenclature for the RM46Lx30 devices.

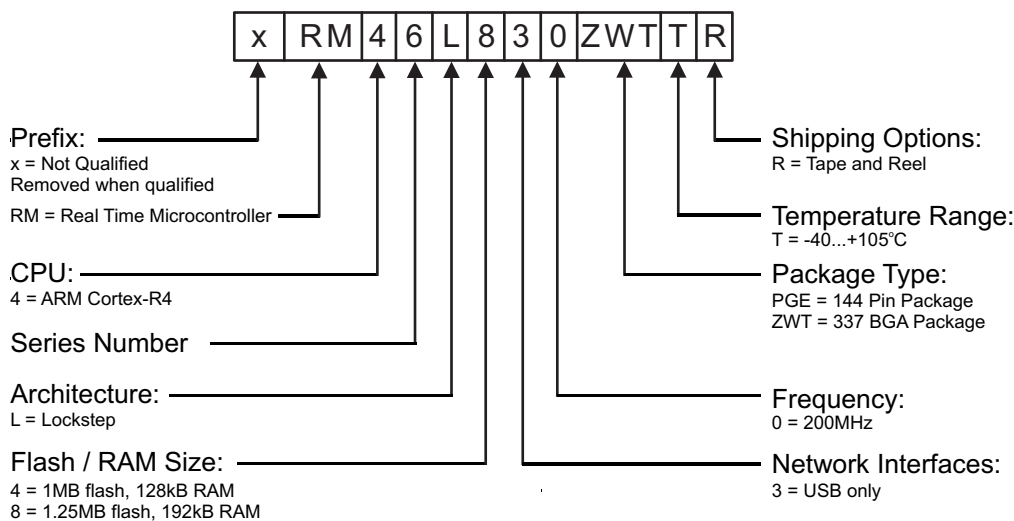


Figure 6-1. RM46Lx30 Device Numbering Conventions

### 6.2 Community Resources

The following links connect to TI community resources. Linked contents are provided "AS IS" by the respective contributors. They do not constitute TI specifications and do not necessarily reflect TI's views; see TI's [Terms of Use](#).

[Hercules™ ARM® Cortex™ Safety Microcontroller Section of the TI E2E Support Community.](#) *TI's Engineer-to-Engineer (E2E) Community.* Created to foster collaboration among engineers. At e2e.ti.com, you can ask questions, share knowledge, explore ideas and help solve problems with fellow engineers.

### 6.3 Device Identification

#### 6.3.1 Device Identification Code Register

The device identification code register identifies several aspects of the device including the silicon version. The details of the device identification code register are shown in [Table 6-1](#). The device identification code register value for this device is:

- Rev 0 = 0x8046AD05

**Figure 6-2. Device ID Bit Allocation Register**

31	30	29	28	27	26	25	24	23	22	21	20	19	18	17	16
CP-15	UNIQUE ID														TECH
R-1	R-00000000100011														R-0
15	14	13	12	11	10	9	8	7	6	5	4	3	2	1	0
TECH		I/O VOLTAGE	PERIPH PARITY	FLASH ECC	RAM ECC	VERSION						1	0	1	
R-101		R-0	R-1	R-10	R-1	R-00000						R-1	R-0	R-1	

LEGEND: R/W = Read/Write; R = Read only; -n = value after reset

**Table 6-1. Device ID Bit Allocation Register Field Descriptions**

Bit	Field	Value	Description
31	CP15	1	Indicates the presence of coprocessor 15 CP15 present
30-17	UNIQUE ID	100011	Unique device identification number This bitfield holds a unique number for a dedicated device configuration (die).
16-13	TECH	0101	Process technology on which the device is manufactured. F021
12	I/O VOLTAGE	0	I/O voltage of the device. I/O are 3.3v
11	PERIPHERAL PARITY	1	Peripheral Parity Parity on peripheral memories
10-9	FLASH ECC	10	Flash ECC Program memory with ECC
8	RAM ECC	1	Indicates if RAM memory ECC is present. ECC implemented
7-3	REVISION		Revision of the Device.
2-0	101		The platform family ID is always 0b101

#### 6.3.2 Die Identification Registers

The four die ID registers at addresses 0xFFFFE1F0, 0xFFFFE1F4, 0xFFFFE1F8 and FFFFE1FC form a 128-bit dieid with the information as shown in [Table 6-2](#).

**Table 6-2. Die-ID Registers**

Item	# of Bits	Bit Location
X Coord. on Wafer	8	7..0
Y Coord. on Wafer	8	15..8
Wafer #	6	21..16
Lot #	24	45..22
Reserved	82	127..46

## 7 Mechanical Data

### 7.1 Thermal Data

[Table 7-1](#) shows the thermal resistance characteristics for the QFP - PGE mechanical package.

[Table 7-2](#) shows the thermal resistance characteristics for the BGA - ZWT mechanical package.

**Table 7-1. Thermal Resistance Characteristics  
(PGE Package)**

PARAMETER	°C / W
$R\theta_{JA}$	45
$R\theta_{JC}$	5

**Table 7-2. Thermal Resistance Characteristics  
(ZWT Package)**

PARAMETER	°C / W
$R\theta_{JA}$	18.8
$R\theta_{JC}$	7.1

### 7.2 Packaging Information

The following packaging information reflects the most current released data available for the designated device(s). This data is subject to change without notice and without revision of this document.

### **Functional Safety Disclaimer for Safety Critical Solutions**

TI's safety critical solutions, including integrated circuits, software and tools help TI's customers create end products that may be used in appropriately designed safety-critical applications to comply with functional safety standards or requirements.

Buyers represent and agree that they have all the necessary expertise to design, manage and assure effective system-level safeguards to anticipate, monitor and control system failures in safety-critical applications. Buyers agree and accept sole responsibility to meet and comply with all applicable regulatory standards and safety-related requirements concerning their systems and end-products which use TI's safety-critical applications. Buyers will fully indemnify TI and its representatives against any damages arising out of the use of TI products in safety-critical applications.

TI integrated circuits are not authorized for use in FDA Class III (or similar life-critical medical equipment) unless authorized officers of the parties have executed a special agreement specifically governing such use.



**PACKAGING INFORMATION**

Orderable Device	Status (1)	Package Type	Package Drawing	Pins	Package Qty	Eco Plan (2)	Lead/Ball Finish	MSL Peak Temp (3)	Op Temp (°C)	Top-Side Markings (4)	Samples
RM46L430PGET	ACTIVE	LQFP	PGE	144		TBD	Call TI	Call TI	-40 to 105		<a href="#">Samples</a>
RM46L430ZWTT	ACTIVE	NFBGA	ZWT	337		TBD	Call TI	Call TI	-40 to 105		<a href="#">Samples</a>
RM46L830PGET	ACTIVE	LQFP	PGE	144		TBD	Call TI	Call TI	-40 to 105		<a href="#">Samples</a>
RM46L830ZWTT	ACTIVE	NFBGA	ZWT	337		TBD	Call TI	Call TI	-40 to 105		<a href="#">Samples</a>

(1) The marketing status values are defined as follows:

**ACTIVE:** Product device recommended for new designs.

**LIFEBUY:** TI has announced that the device will be discontinued, and a lifetime-buy period is in effect.

**NRND:** Not recommended for new designs. Device is in production to support existing customers, but TI does not recommend using this part in a new design.

**PREVIEW:** Device has been announced but is not in production. Samples may or may not be available.

**OBSOLETE:** TI has discontinued the production of the device.

(2) Eco Plan - The planned eco-friendly classification: Pb-Free (RoHS), Pb-Free (RoHS Exempt), or Green (RoHS & no Sb/Br) - please check <http://www.ti.com/productcontent> for the latest availability information and additional product content details.

**TBD:** The Pb-Free/Green conversion plan has not been defined.

**Pb-Free (RoHS):** TI's terms "Lead-Free" or "Pb-Free" mean semiconductor products that are compatible with the current RoHS requirements for all 6 substances, including the requirement that lead not exceed 0.1% by weight in homogeneous materials. Where designed to be soldered at high temperatures, TI Pb-Free products are suitable for use in specified lead-free processes.

**Pb-Free (RoHS Exempt):** This component has a RoHS exemption for either 1) lead-based flip-chip solder bumps used between the die and package, or 2) lead-based die adhesive used between the die and leadframe. The component is otherwise considered Pb-Free (RoHS compatible) as defined above.

**Green (RoHS & no Sb/Br):** TI defines "Green" to mean Pb-Free (RoHS compatible), and free of Bromine (Br) and Antimony (Sb) based flame retardants (Br or Sb do not exceed 0.1% by weight in homogeneous material)

(3) MSL, Peak Temp. -- The Moisture Sensitivity Level rating according to the JEDEC industry standard classifications, and peak solder temperature.

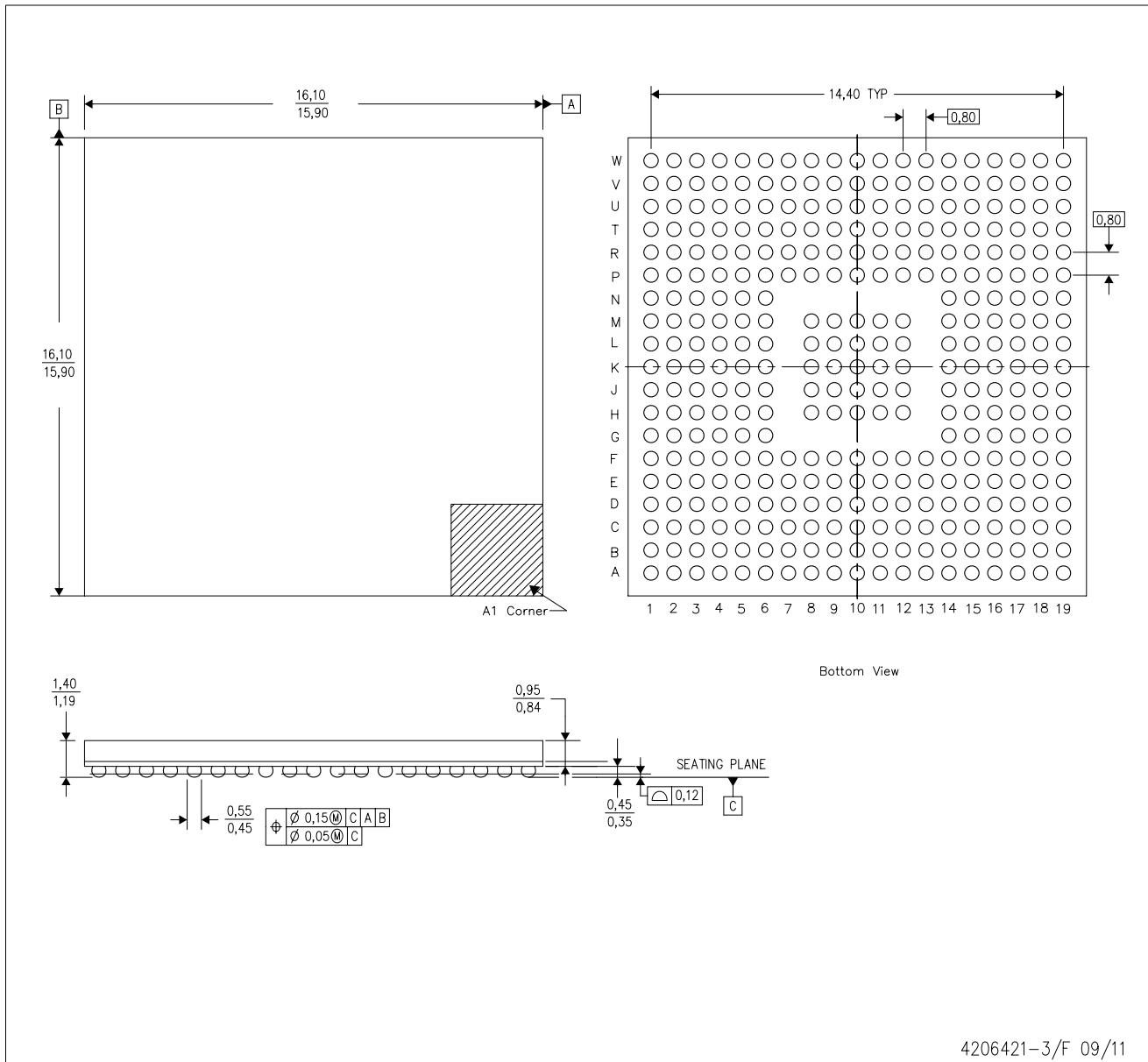
(4) Multiple Top-Side Markings will be inside parentheses. Only one Top-Side Marking contained in parentheses and separated by a "~" will appear on a device. If a line is indented then it is a continuation of the previous line and the two combined represent the entire Top-Side Marking for that device.

**Important Information and Disclaimer:** The information provided on this page represents TI's knowledge and belief as of the date that it is provided. TI bases its knowledge and belief on information provided by third parties, and makes no representation or warranty as to the accuracy of such information. Efforts are underway to better integrate information from third parties. TI has taken and continues to take reasonable steps to provide representative and accurate information but may not have conducted destructive testing or chemical analysis on incoming materials and chemicals. TI and TI suppliers consider certain information to be proprietary, and thus CAS numbers and other limited information may not be available for release.

In no event shall TI's liability arising out of such information exceed the total purchase price of the TI part(s) at issue in this document sold by TI to Customer on an annual basis.

ZWT (S-PBGA-N337)

PLASTIC BALL GRID ARRAY



- NOTES:
- A. All linear dimensions are in millimeters. Dimensioning and tolerancing per ASME Y14.5M-1994.
  - B. This drawing is subject to change without notice.
  - C. This is a Pb-free solder ball design.
  - D. Falls within JEDEC MO-275.

PGE (S-PQFP-G144)

PLASTIC QUAD FLATPACK



- NOTES: A. All linear dimensions are in millimeters.  
 B. This drawing is subject to change without notice.  
 C. Falls within JEDEC MS-026

## IMPORTANT NOTICE

Texas Instruments Incorporated and its subsidiaries (TI) reserve the right to make corrections, enhancements, improvements and other changes to its semiconductor products and services per JESD46, latest issue, and to discontinue any product or service per JESD48, latest issue. Buyers should obtain the latest relevant information before placing orders and should verify that such information is current and complete. All semiconductor products (also referred to herein as "components") are sold subject to TI's terms and conditions of sale supplied at the time of order acknowledgment.

TI warrants performance of its components to the specifications applicable at the time of sale, in accordance with the warranty in TI's terms and conditions of sale of semiconductor products. Testing and other quality control techniques are used to the extent TI deems necessary to support this warranty. Except where mandated by applicable law, testing of all parameters of each component is not necessarily performed.

TI assumes no liability for applications assistance or the design of Buyers' products. Buyers are responsible for their products and applications using TI components. To minimize the risks associated with Buyers' products and applications, Buyers should provide adequate design and operating safeguards.

TI does not warrant or represent that any license, either express or implied, is granted under any patent right, copyright, mask work right, or other intellectual property right relating to any combination, machine, or process in which TI components or services are used. Information published by TI regarding third-party products or services does not constitute a license to use such products or services or a warranty or endorsement thereof. Use of such information may require a license from a third party under the patents or other intellectual property of the third party, or a license from TI under the patents or other intellectual property of TI.

Reproduction of significant portions of TI information in TI data books or data sheets is permissible only if reproduction is without alteration and is accompanied by all associated warranties, conditions, limitations, and notices. TI is not responsible or liable for such altered documentation. Information of third parties may be subject to additional restrictions.

Resale of TI components or services with statements different from or beyond the parameters stated by TI for that component or service voids all express and any implied warranties for the associated TI component or service and is an unfair and deceptive business practice. TI is not responsible or liable for any such statements.

Buyer acknowledges and agrees that it is solely responsible for compliance with all legal, regulatory and safety-related requirements concerning its products, and any use of TI components in its applications, notwithstanding any applications-related information or support that may be provided by TI. Buyer represents and agrees that it has all the necessary expertise to create and implement safeguards which anticipate dangerous consequences of failures, monitor failures and their consequences, lessen the likelihood of failures that might cause harm and take appropriate remedial actions. Buyer will fully indemnify TI and its representatives against any damages arising out of the use of any TI components in safety-critical applications.

In some cases, TI components may be promoted specifically to facilitate safety-related applications. With such components, TI's goal is to help enable customers to design and create their own end-product solutions that meet applicable functional safety standards and requirements. Nonetheless, such components are subject to these terms.

No TI components are authorized for use in FDA Class III (or similar life-critical medical equipment) unless authorized officers of the parties have executed a special agreement specifically governing such use.

Only those TI components which TI has specifically designated as military grade or "enhanced plastic" are designed and intended for use in military/aerospace applications or environments. Buyer acknowledges and agrees that any military or aerospace use of TI components which have **not** been so designated is solely at the Buyer's risk, and that Buyer is solely responsible for compliance with all legal and regulatory requirements in connection with such use.

TI has specifically designated certain components as meeting ISO/TS16949 requirements, mainly for automotive use. In any case of use of non-designated products, TI will not be responsible for any failure to meet ISO/TS16949.

### Products

Audio	<a href="http://www.ti.com/audio">www.ti.com/audio</a>
Amplifiers	<a href="http://amplifier.ti.com">amplifier.ti.com</a>
Data Converters	<a href="http://dataconverter.ti.com">dataconverter.ti.com</a>
DLP® Products	<a href="http://www.dlp.com">www.dlp.com</a>
DSP	<a href="http://dsp.ti.com">dsp.ti.com</a>
Clocks and Timers	<a href="http://www.ti.com/clocks">www.ti.com/clocks</a>
Interface	<a href="http://interface.ti.com">interface.ti.com</a>
Logic	<a href="http://logic.ti.com">logic.ti.com</a>
Power Mgmt	<a href="http://power.ti.com">power.ti.com</a>
Microcontrollers	<a href="http://microcontroller.ti.com">microcontroller.ti.com</a>
RFID	<a href="http://www.ti-rfid.com">www.ti-rfid.com</a>
OMAP Applications Processors	<a href="http://www.ti.com/omap">www.ti.com/omap</a>
Wireless Connectivity	<a href="http://www.ti.com/wirelessconnectivity">www.ti.com/wirelessconnectivity</a>

### Applications

Automotive and Transportation	<a href="http://www.ti.com/automotive">www.ti.com/automotive</a>
Communications and Telecom	<a href="http://www.ti.com/communications">www.ti.com/communications</a>
Computers and Peripherals	<a href="http://www.ti.com/computers">www.ti.com/computers</a>
Consumer Electronics	<a href="http://www.ti.com/consumer-apps">www.ti.com/consumer-apps</a>
Energy and Lighting	<a href="http://www.ti.com/energy">www.ti.com/energy</a>
Industrial	<a href="http://www.ti.com/industrial">www.ti.com/industrial</a>
Medical	<a href="http://www.ti.com/medical">www.ti.com/medical</a>
Security	<a href="http://www.ti.com/security">www.ti.com/security</a>
Space, Avionics and Defense	<a href="http://www.ti.com/space-avionics-defense">www.ti.com/space-avionics-defense</a>
Video and Imaging	<a href="http://www.ti.com/video">www.ti.com/video</a>

### TI E2E Community

[e2e.ti.com](http://e2e.ti.com)